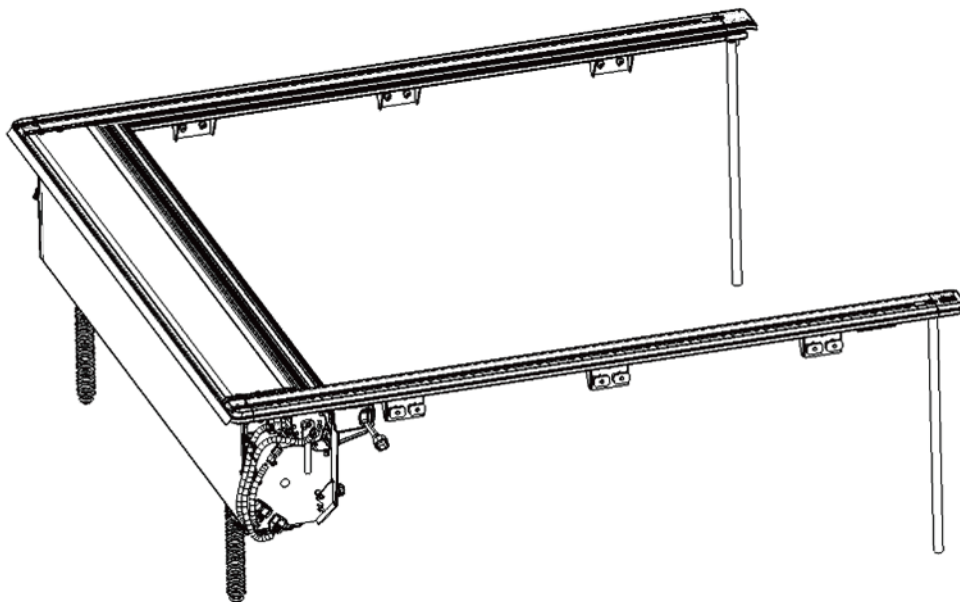


## Toyota Tundra (07-21) | 5'5" Bed | Powered Retractable Bed Cover



Estimated Install time: 120 minutes

### BEFORE YOU START:

- Read instructions carefully before beginning installation.
- Check that all parts/hardware are present and correct as depicted below.

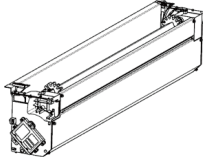
### GENERAL NOTES:

- Keep all boxes and packaging until the installation is complete.
- Unpack all components carefully to prevent damage.
- Ensure any bare metal surfaces are protected by automotive primer and touch up paint. Remove any dust/debris from vehicle mounting surfaces prior to installation.
- This tonneau cover is compatible with spray-on bed liners, **however any composite drop-in bed liners must be removed prior to tonneau cover installation**
- This product must be installed as outlined in these instructions. Failure to do so may result in damage to the vehicle or the product.
- Do not modify the structure of the Bed Cover in any way
- **Always wear eye protection when operating power tools**

# INSTALLATION INSTRUCTIONS

## PARTS LIST:

1



Tonneau Cover Canister Assembly x 1

2



Canister Cover Plate x 1

3



DS Side Rail x 1

4



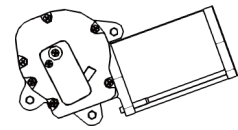
PS Side Rail x 1

5



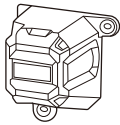
Calibration Crossbar x 1

6



Motor x 1

7



Motor Housing x 1

8

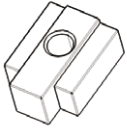


Block Off Panel x 1

# INSTALLATION INSTRUCTIONS

## HARDWARE LIST:

9



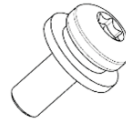
6mm T-channel  
Nut Block x 6

10



6-1.00mm x 16mm  
Torx Bolt x 6

11



6-1.00mm x 20mm  
Torx Bolt x 17

12



8mm Threaded  
Mount Block x 12

13



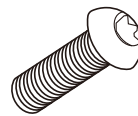
8mm Lock Washer  
x 12

14



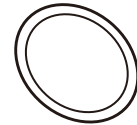
8mm x 16mm x 1.6mm  
Flat Washer x 12

15



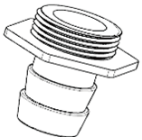
8-1.25mm x 25mm  
Torx Bolt x 12

16



Rubber O-Ring x 2

17



Front Drain Tube  
Adapter x 2

18



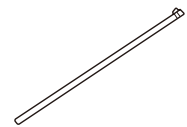
Front Drain Tube x 2

19



Tube Clamp x 2

20



Rear Drain Tube x 2

21



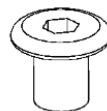
Adhesion Promoter  
x 2

22



Motor Clutch Handle x 1

23



5mm x 8mm Flat  
Head Screw x 4

24



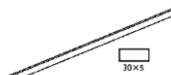
Plastic Cap x 4

25



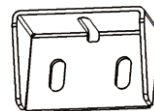
Bed Rail Top Foam  
Spacer x 3

26



Bed Front Gap Foam  
Spacer x 1

27



Mount Bracket x 6

28



Driver/Left Replacement  
Track x 1

# INSTALLATION INSTRUCTIONS

29



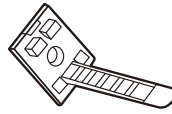
Passenger/Right  
Replacement Track x 1

30



Nylon Ties x 10

31



Fastening Buckle x 8

32



S3 Allen Wrench x 1

33



T40 Torx Wrench x 1

34



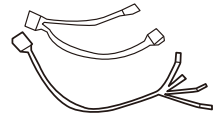
T30 Torx Wrench x 1

35



Power Cable x 1

36



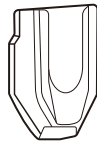
ECU Main Harness  
Set x 1

37



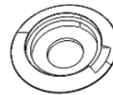
PKE Key Fob Remote x 2

38



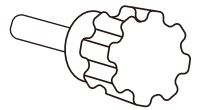
Key Fob Holder x 1

39



Plastic Ring x 4

40



Threaded Knob x 1

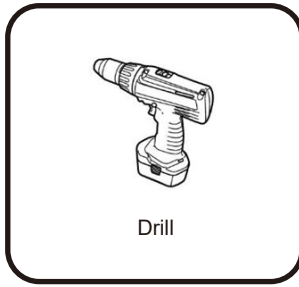
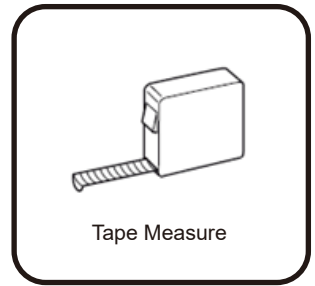
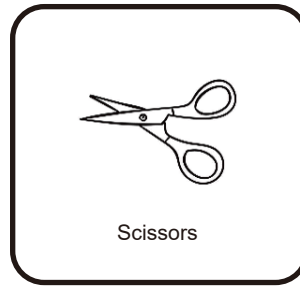
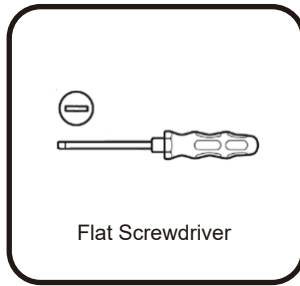
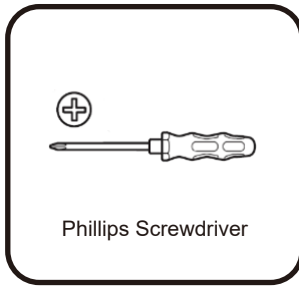
41



Hole Saw (Ø19mm)  
x 1

# INSTALLATION INSTRUCTIONS

## TOOLS REQUIRED



## STEP 1

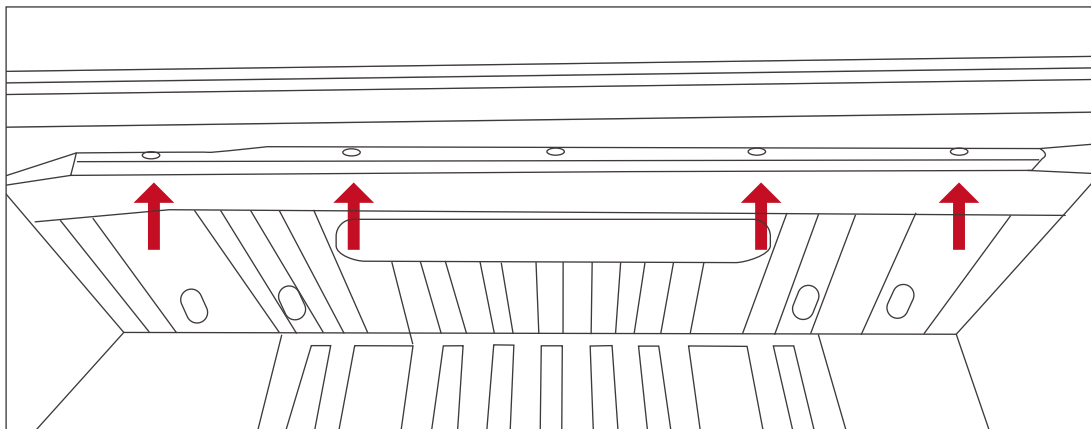
### REMOVE FROM PACKAGING AND REVIEW CONTENTS

Carefully remove all contents from outer package, open all boxes contained within and confirm that all components are present and undamaged

## STEP 2

### PREP TRUCK BED FOR INSTALLATION

Remove the front bed utility track, there are four (4) T30 torx bolts along with one (1) plastic tab at the center. Once all of the bolts are removed, slide the track toward the driver side to disengage the plastic tab then remove the track

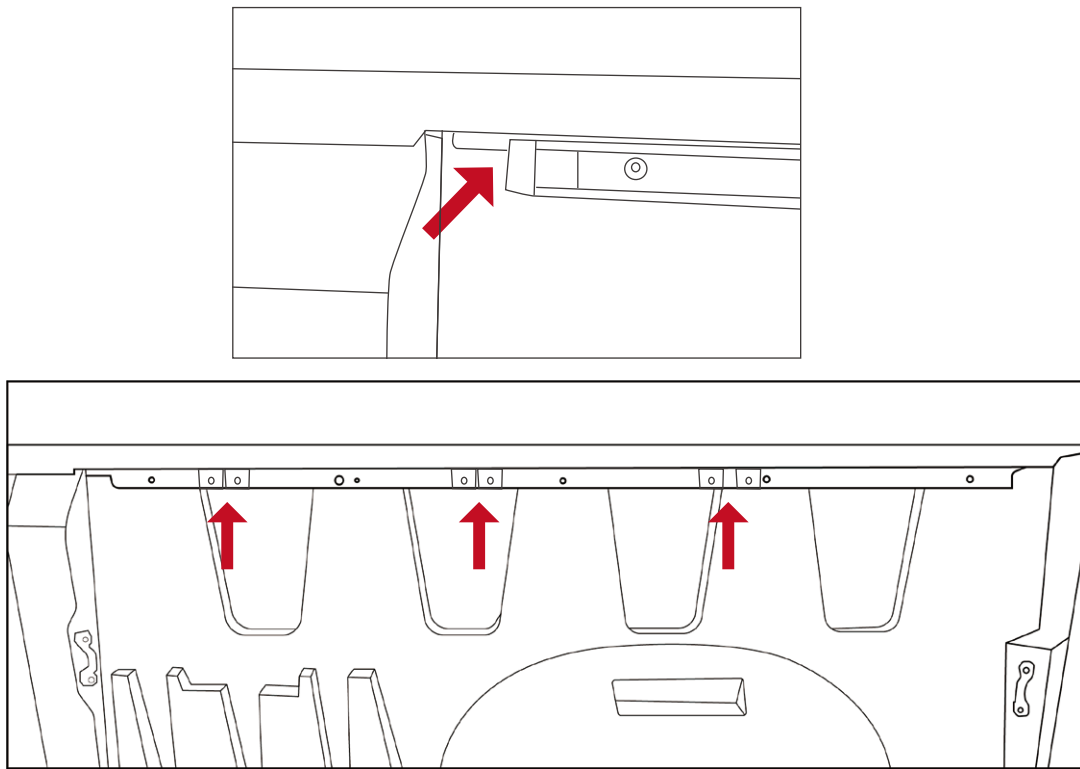


Clean the top of the plastic bed caps and top of front bed bulkhead of dirt/debris

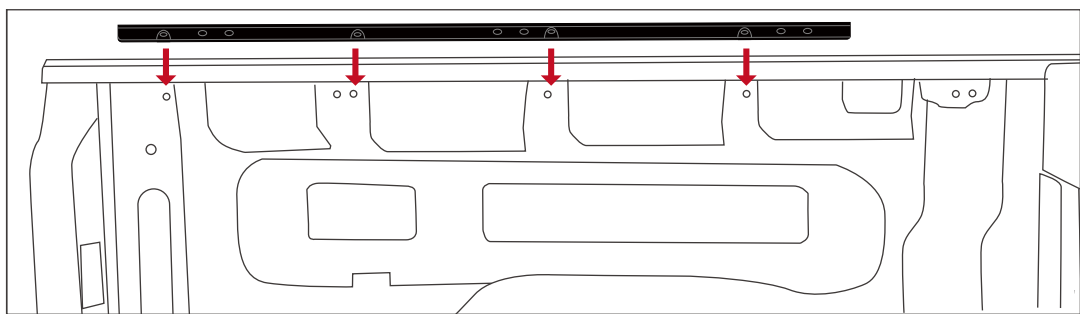
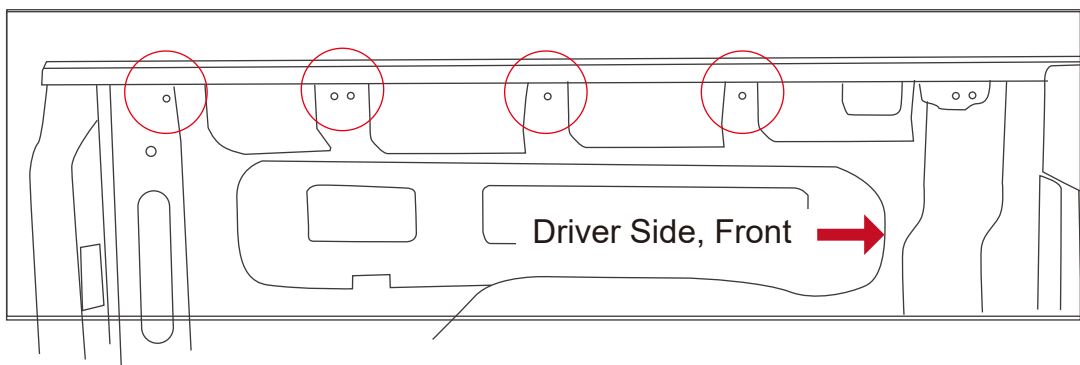


# INSTALLATION INSTRUCTIONS

Remove the plastic cap at the end of the side mounted utility track and slide in six (6) 8mm threaded mount blocks

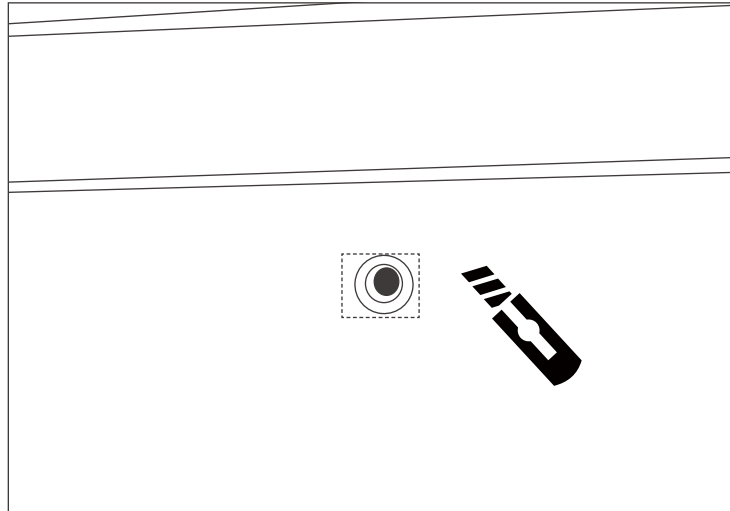


If the vehicle is not equipped with the side mounted utility tracks, install the included replacement tracks with four (4) 6-1.00mm x 20mm torx bolts using the threaded inserts in the side of the bed. The front-most bed insert will not be used.



# INSTALLATION INSTRUCTIONS

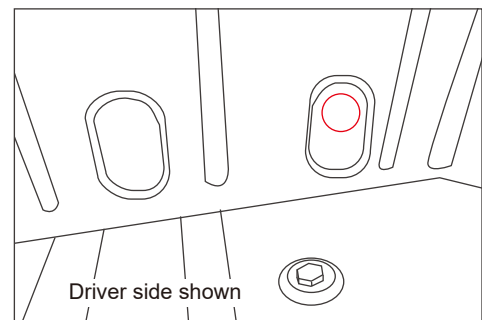
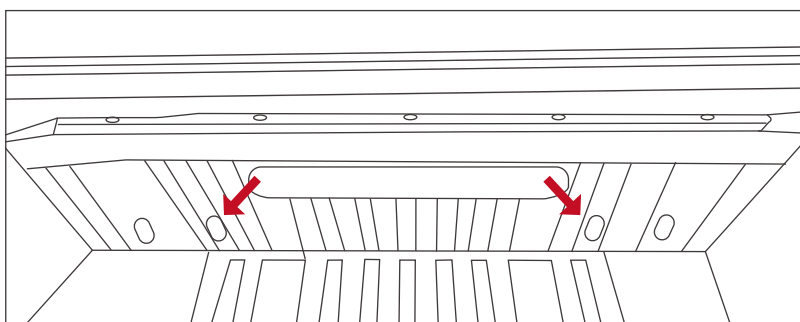
**\*Note:** If the truck bed has a spray-on bed liner, it may be necessary to carefully cut the bed liner material around the mount points to expose the inserts in the bed



Drilling is required to install the front drain tubes, rear drain tubes, and tonneau cover power harness.

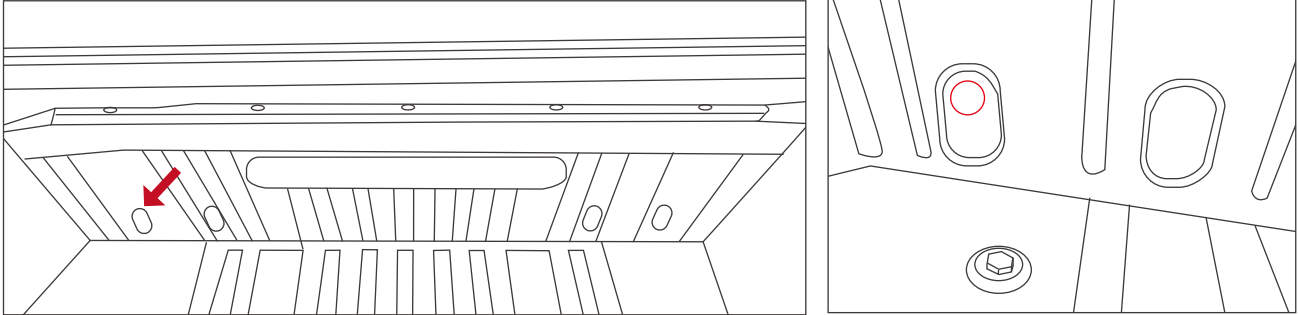
**Use caution when drilling through the front of the bed to not hit the cab, a drill stop may be used to help prevent this**

**Front Drain Tubes:** the front drain tubes will be routed through the inner set of holes at the base of the bed bulkhead. Use the included 19mm hole saw to cut the drain tube holes into the plastic plugs that are covering the holes in the bed.



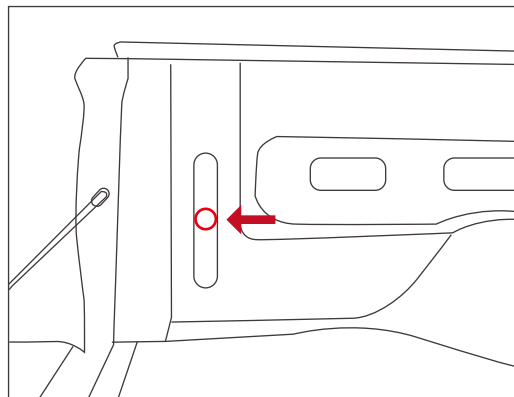
# INSTALLATION INSTRUCTIONS

**Power Harness (Driver Side Only):** The power harness will be routed through the outer hole on the driver side of the bed bulkhead, next to the drain tube. Use a knife or other suitable cutting tool to cut a hole into the plastic plug large enough to fit the power harness through.

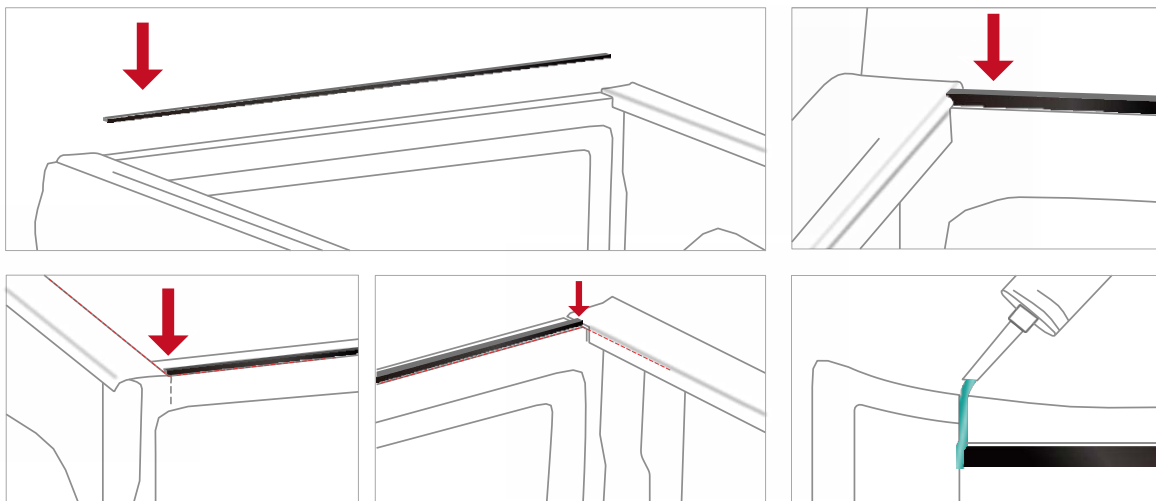


## Rear Drain Tubes:

The holes for the rear drain tubes can be drilled in the raised section near the rear of the bed at the location indicated below. Use the included 19mm hole saw to drill one hole on each side of the bed.

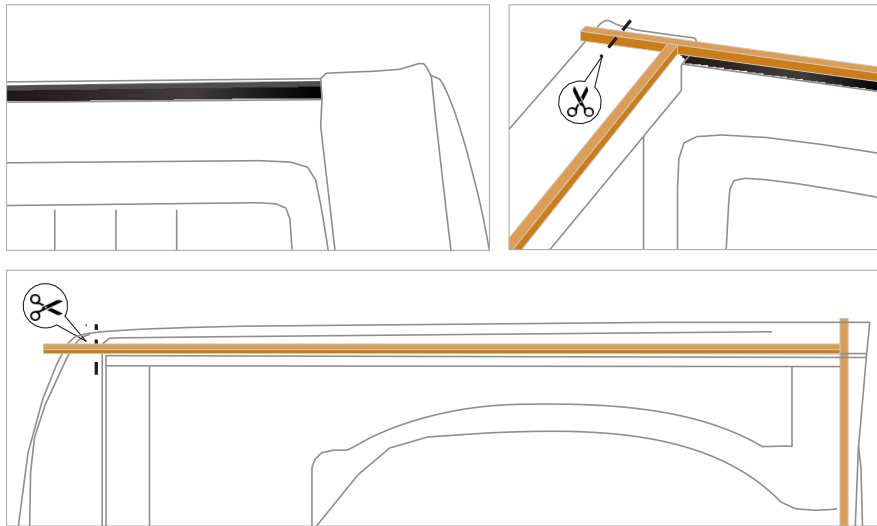


Clean the top of the plastic bed caps and top of front bed bulkhead of dirt/debris  
Install the front bulkhead seal (hard foam seal) across the top of the front bulkhead



# INSTALLATION INSTRUCTIONS

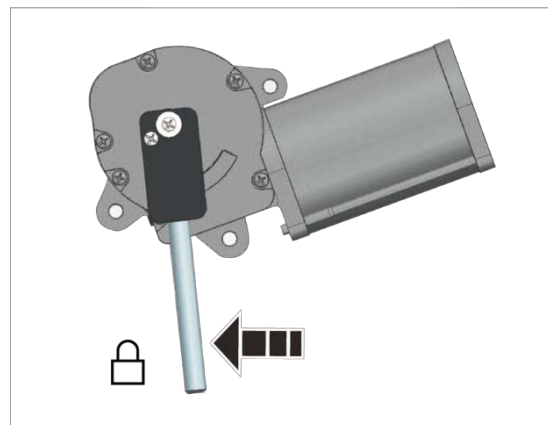
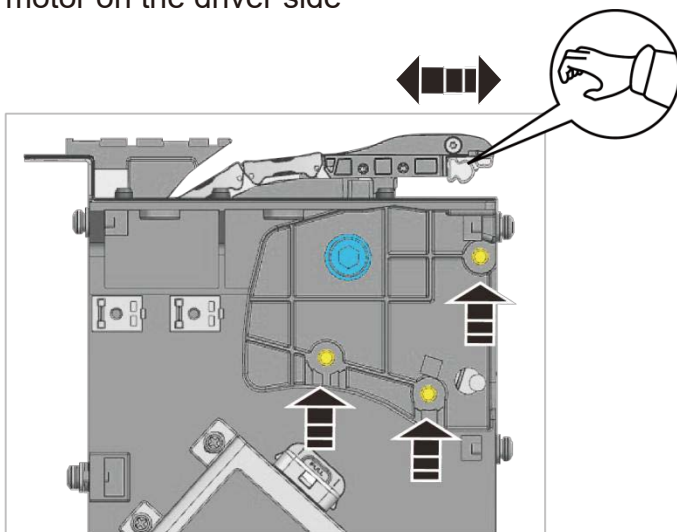
Install the water-resistant seals (soft foam seals) across the top of the front bulkhead (on top of the bulkhead seal) and the plastic bed caps. The seal applied to the front bulkhead will span the whole width of the truck bed, the seals applied to the plastic bed caps should be positioned as close to the inner edge of the bed as possible. Trim off any excess. A small amount of sealant may be used at the corners of the front bulkhead to improve water resistance



## STEP 3 INSTALL MOTOR

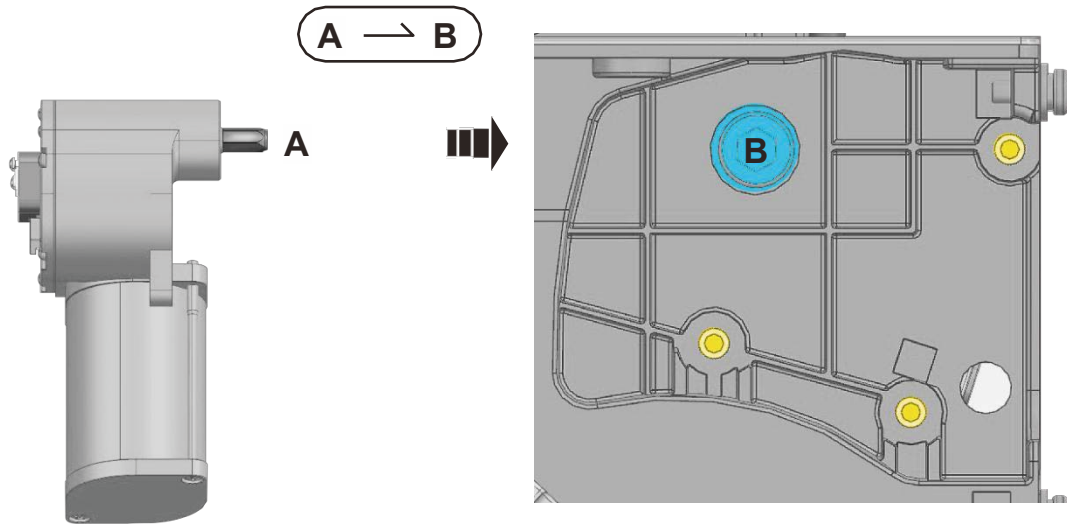
Place the canister upright on level ground and locate the mounting location for the motor on the driver side

Install the motor clutch handle onto the motor assembly

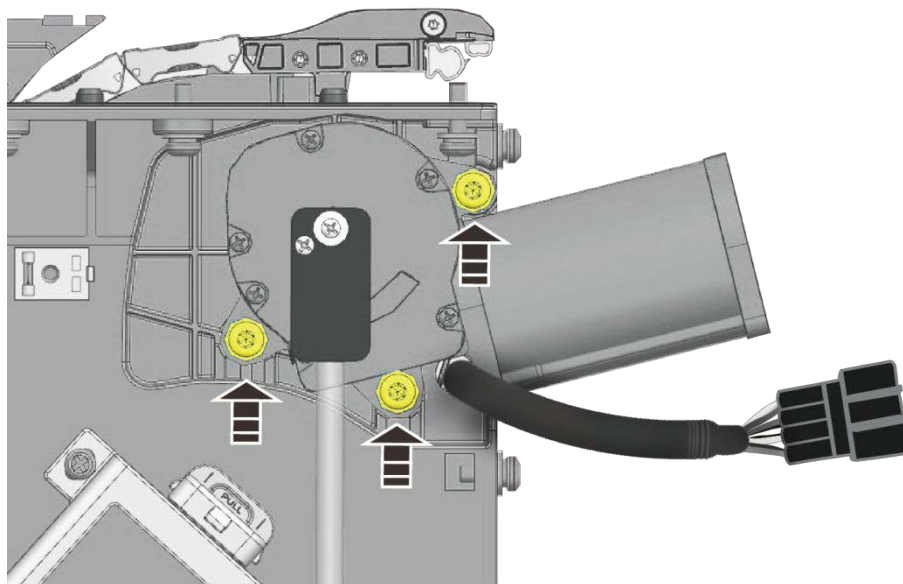


# INSTALLATION INSTRUCTIONS

Lift the clutch handle upward to disengage the motor. Rotate the motor arm (A) so that it aligns with the rotating shaft in the canister (B).

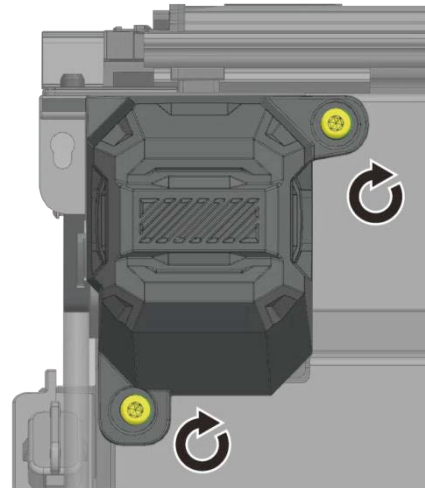
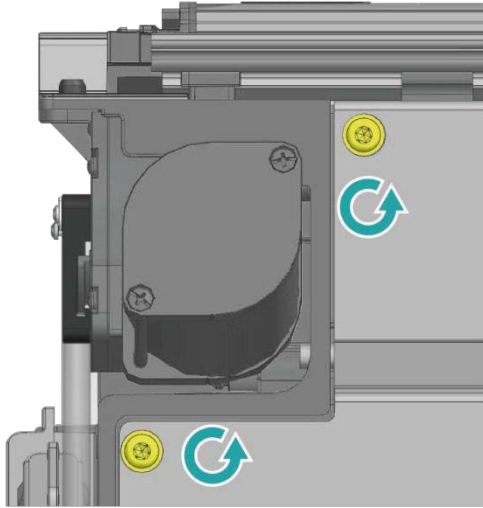


Route the motor harness and the canister light harness under the motor and use three (3) 6-1.00 x 20mm torx combo bolts to attach the motor to the canister



# INSTALLATION INSTRUCTIONS

Temporarily remove two (2) T30 torx bolts from the canister. Line up the mount holes on the motor cover with the holes on the canister. Reinstall and tighten the two (2) T30 torx bolts that were previously removed from the canister

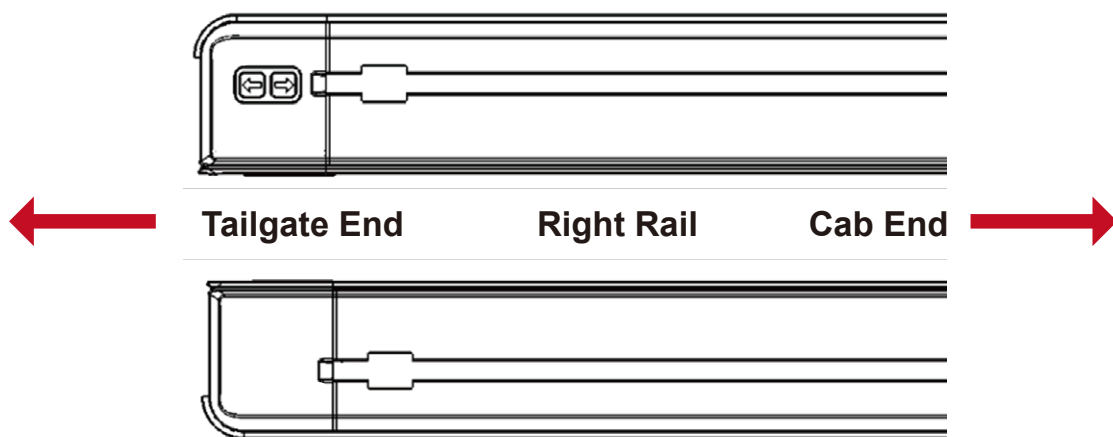


## STEP 4

### INSTALL SIDE RAILS

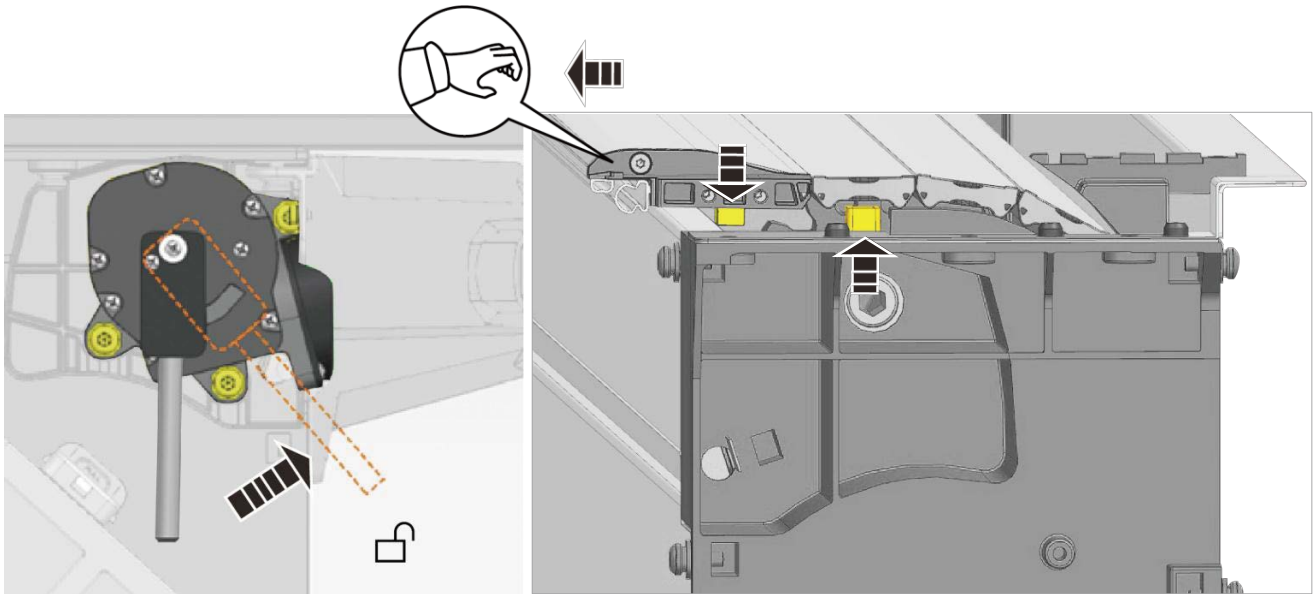
Remove the protective plastic wrapping from the side rails and identify the driver and passenger side rails. The driver side rail will have the buttons to operate the tonneau cover at the end

Left Rail

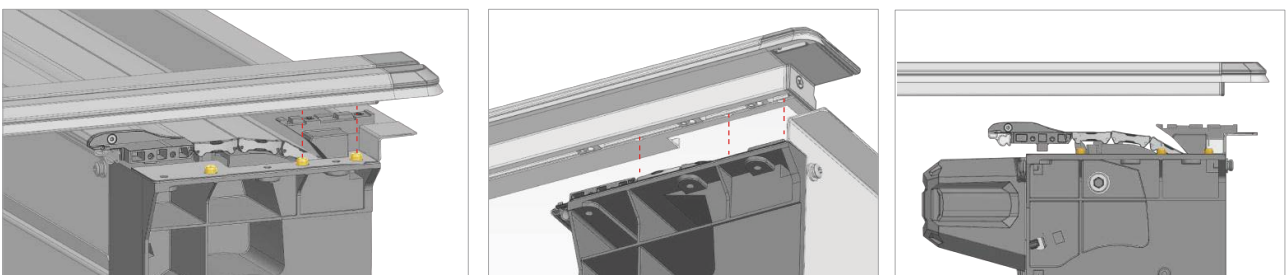


# INSTALLATION INSTRUCTIONS

Lift the motor clutch handle to disengage the motor, and carefully pull the tonneau cover out from the canister and ensure that the stopper on the tonneau cover is in front of the limit block on the canister

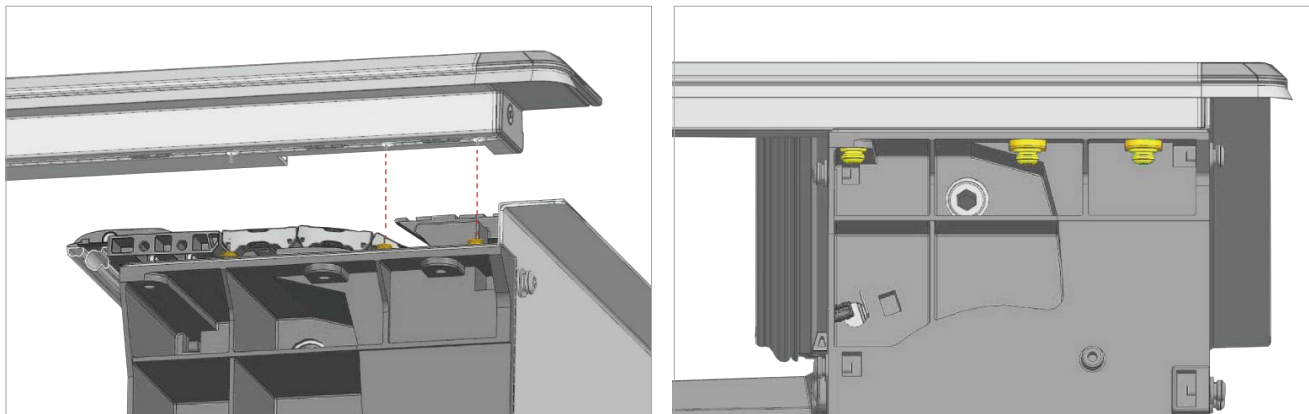


Line up the side rail with the canister and carefully slide it inward, ensuring that the ends of the tonneau cover slats are properly inserted into the side rail channel. It may be necessary to lift up part of the side rail sweep seal so that it stays on top of the tonneau cover slats and does not get tucked in

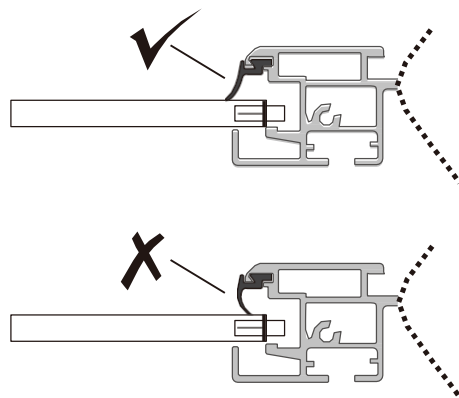
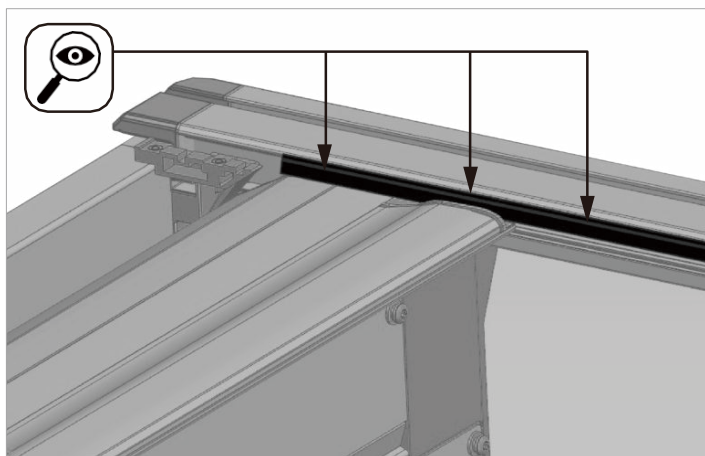


# INSTALLATION INSTRUCTIONS

Check that the side rail is sitting flush on top of the canister, then use three (3) 6-1.00mm x 20mm T30 torx bolts to install the side rail onto the canister.

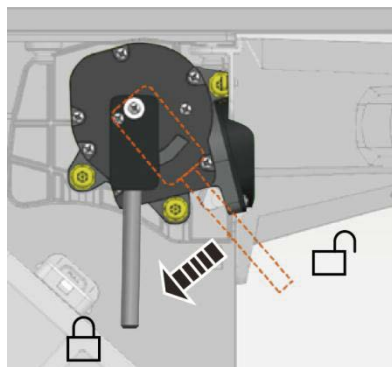


Repeat this process to install the other side rail



CHECK SEAL IS IN POSITION AND NOT DAMAGED

Pull the clutch handle downward to engage the motor.

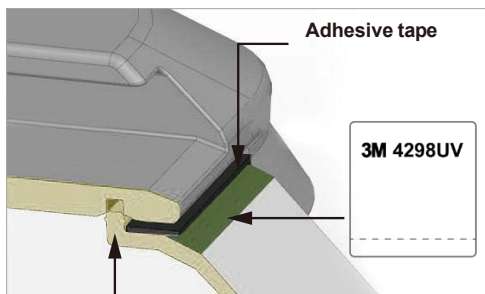
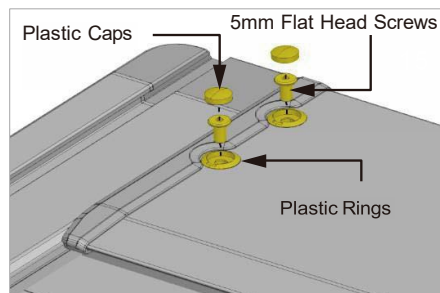
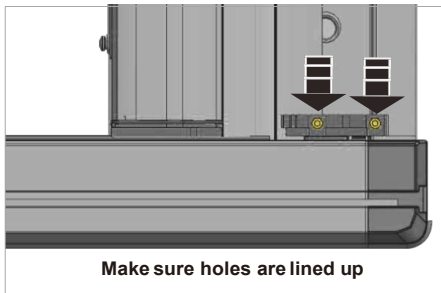


# INSTALLATION INSTRUCTIONS

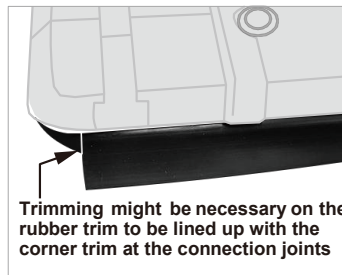
## STEP 5

### INSTALL CANISTER COVER PLATE

Place the canister cover plate on top of the canister and make sure the mount holes line up with the mount points on the canister. Place one (1) plastic ring into each hole on the canister cover plate, then use four (4) 5mm x 8mm flat head screws to attach the canister cover plate to the canister. Remove the covering over the adhesive strips on the ends of the weather seal and press onto the bottom of the side rails, ensuring that the groove on the weather seal is inserted into the slot on the side rail. A small amount of sealant may be used to connect the joints of the rubber trims for improved water resistance



Slide into the slot

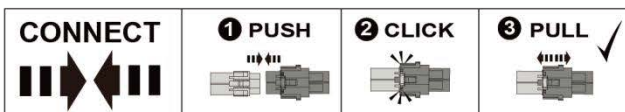
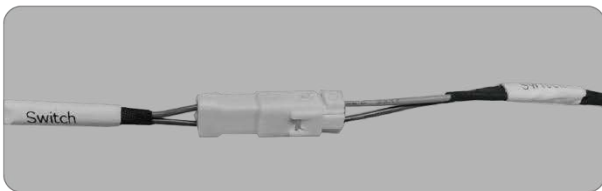
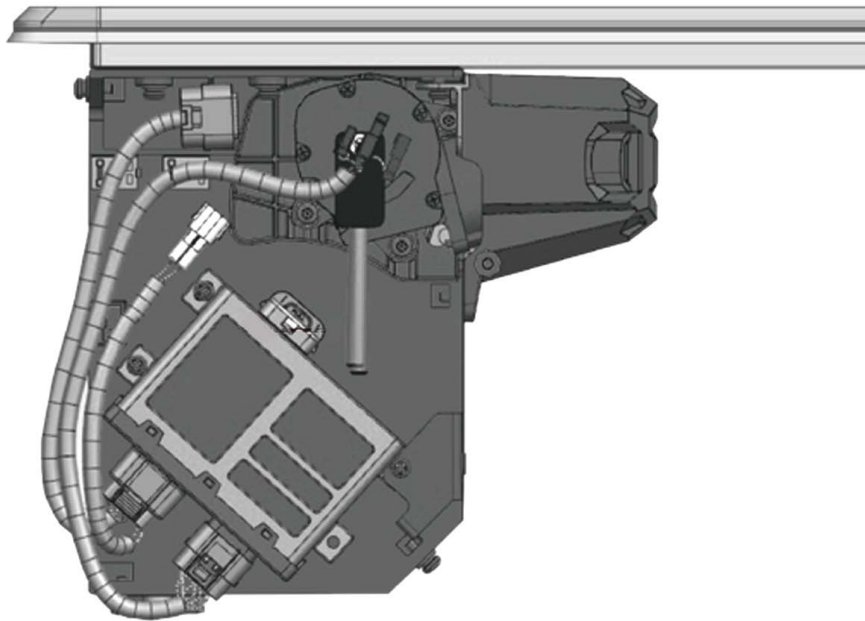


# INSTALLATION INSTRUCTIONS

## STEP 6

### CONNECT WIRE HARNESS ON TONNEAU COVER

All wire harness leads are labeled and have unique male/female connections. Connect the two large connectors on the ECU main harness to the bottom of the ECU. Identify the smaller leads on the ECU main harness and connect each one to the corresponding lead on the tonneau cover/side rail. Use the fastening buckles to organize the wire harness. The connector for the power harness will remain unplugged at this time



PULL THE CONNECTORS  
NOT THE CABLE

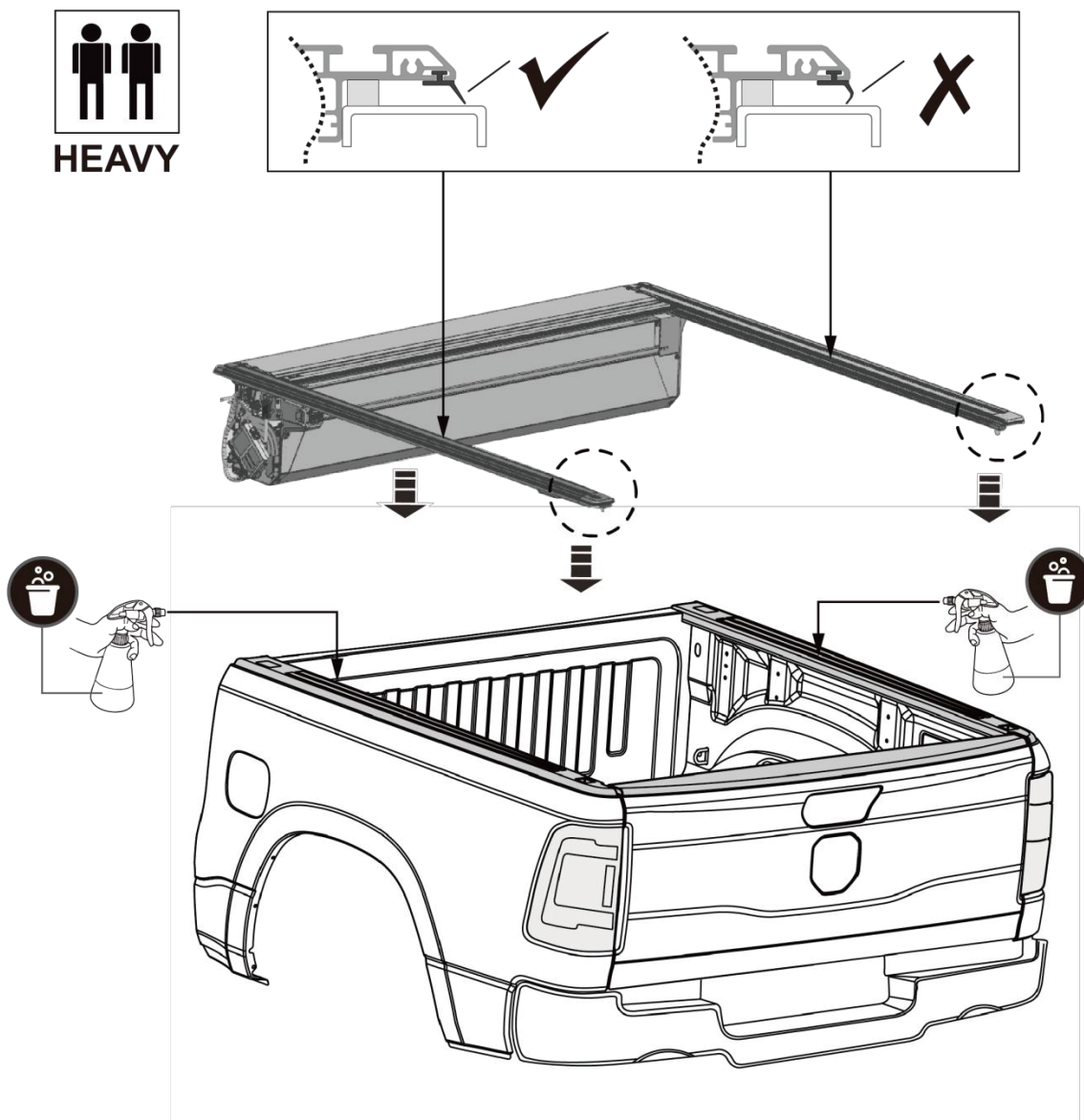


# INSTALLATION INSTRUCTIONS

## STEP 8

### INSTALL TONNEAU COVER ON TRUCK BED

With assistance, carefully lift the tonneau cover assembly and place it on top of the truck bed. Do not slide the tonneau cover along the bed as this will damage the foam seals. Leave the front of the tonneau cover about 1ft from the front of the bed and connect the power harness to the connector on the ECU main harness. Carefully lift the tonneau cover and position it as far forward as possible without touching the front of the bed. Leave a small gap between the canister and the front of the bed. **Be careful not to pinch the wire harness between the tonneau cover and the bed as it may get damaged.**



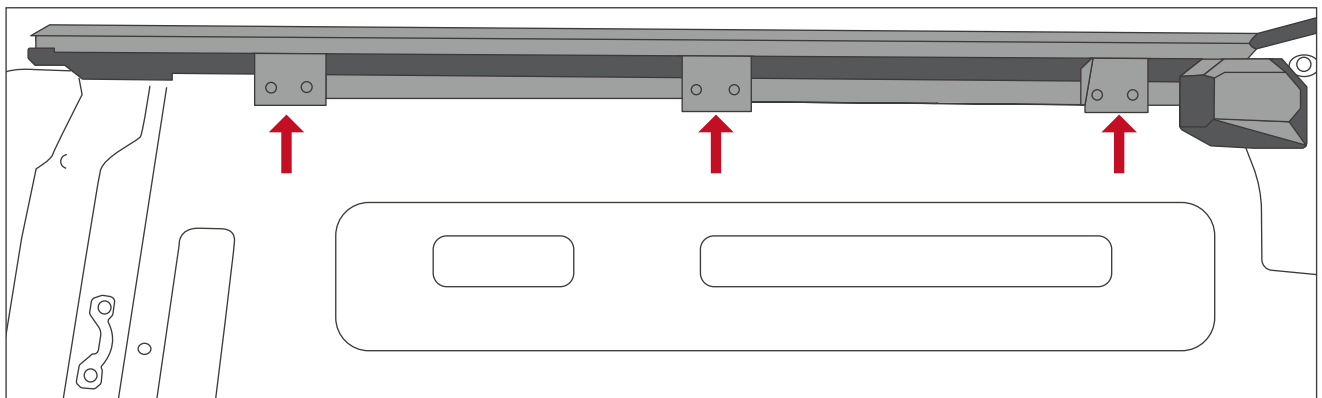
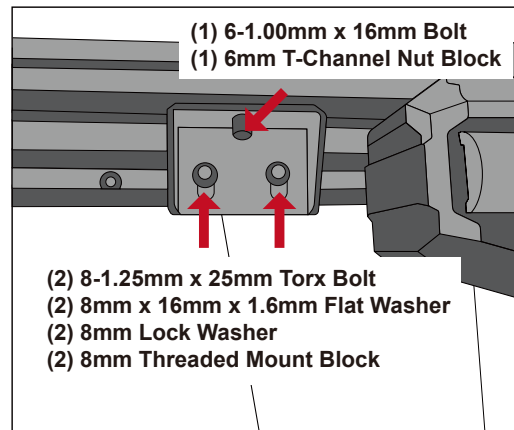
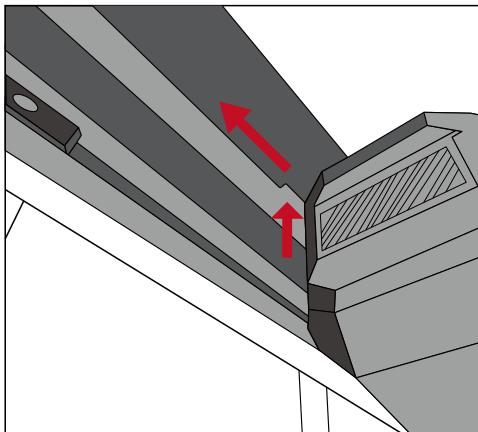
# INSTALLATION INSTRUCTIONS

## STEP 9

### INSTALL MOUNT BRACKETS

#### Factory Utility Tracks:

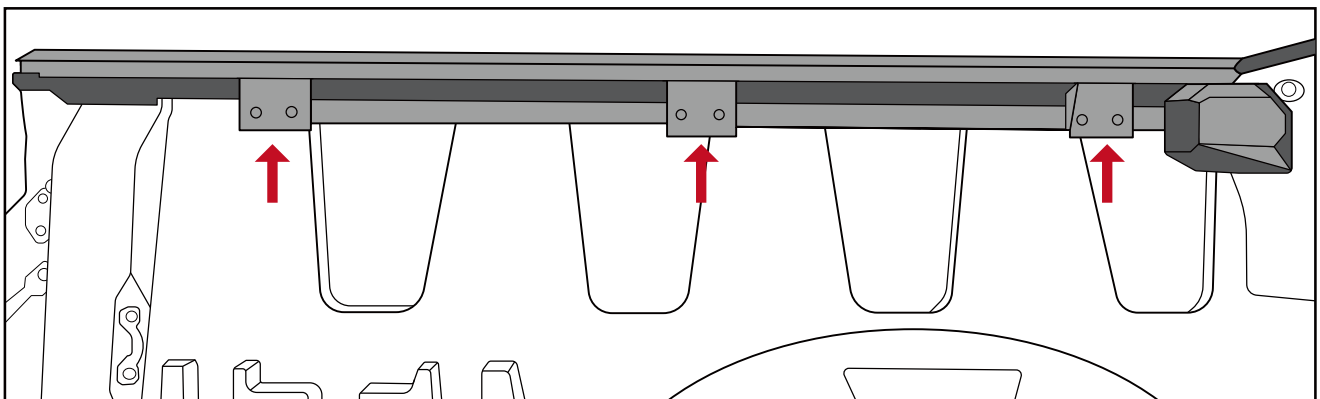
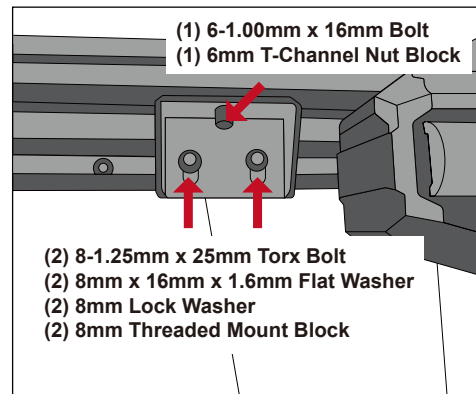
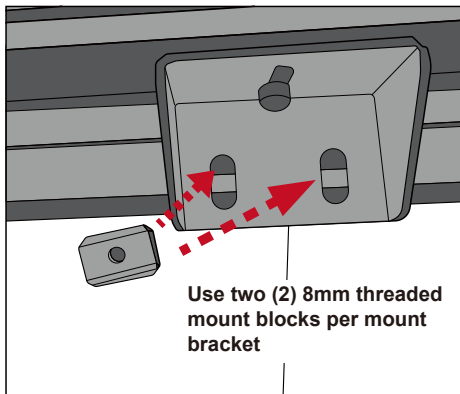
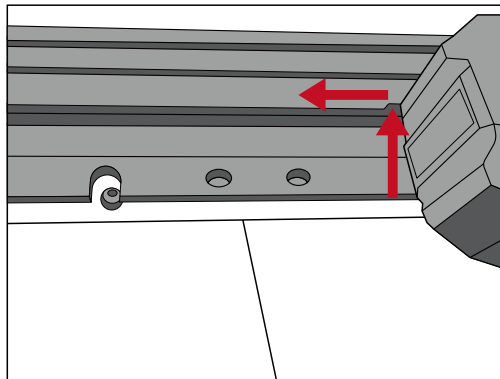
Start on the driver side. Insert three (3) 6mm t-channel blocks into the channel on the bottom of the driver side rail and space them out evenly along the length of the side rail. Use three (3) mount brackets and attach the tonneau cover to the truck bed. Use one (1) 6-1.00mm x 20mm T30 torx bolt to attach the mount bracket to the side rail and use two (2) 8-1.25mm x 25mm T40 torx bolts, two (2) 8mm x 16mm x 1.6mm flat washers, and two (2) 8mm lock washers to attach the mount bracket to the bed side. The 8mm x 25mm bolts will attach to the 8mm threaded mount blocks that were previously installed in the utility track. Leave all mount bracket hardware loose at this time. Repeat this process for the passenger side. It is recommended to position the front bracket as far forward as possible and the rear bracket as far rearward as possible along the utility track



# INSTALLATION INSTRUCTIONS

## No Factory Utility Tracks:

Start on the driver side. Insert three (3) 6mm t-channel blocks into the channel on the bottom of the driver side rail and align them with the mount points on the replacement tracks. Use three (3) mount brackets and attach the tonneau cover to the truck bed. Use one (1) 6-1.00mm x 20mm T30 torx bolt to attach the mount bracket to the side rail and use two (2) 8-1.25mm x 25mm T40 torx bolts, two (2) 8mm x 16mm x 1.6mm flat washers, two (2) 8mm lock washers, and two (2) 8mm threaded mount blocks to attach the mount bracket to the bed side. Leave all mount bracket hardware loose at this time. Repeat this process for the passenger side.



# INSTALLATION INSTRUCTIONS

## STEP 10

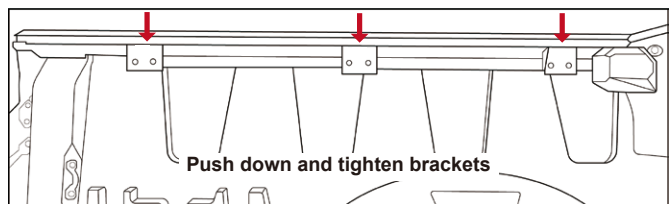
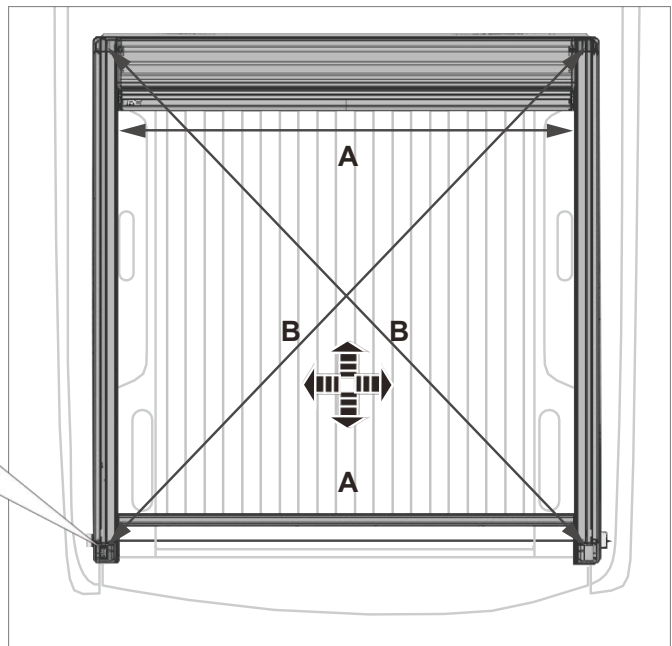
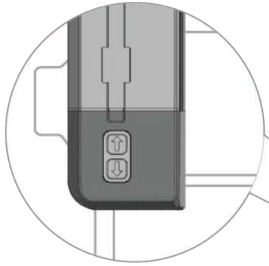
### ALIGN THE SIDE RAILS

Insert the included calibration bar into the channel on the inner side of both side rails. Slide the calibration bar along the channels and check that the distance between the side rails is the same front-to-rear. Shift the ends of the side rails until the optimum position is achieved, then carefully push down on the end of the side rails and tighten the hardware for the rear mount brackets. Use the calibration bar to double check the gap between the side rails and measure the distance between the outside of each side rail and the outer edge of the bed to ensure they are positioned centrally. This process may need to be repeated a few times until all measurements are optimal. After this has been completed, proceed to tighten the hardware for the center and front brackets, carefully pushing down on the side rails above each mount bracket before tightening the hardware. As a final check to make sure the tonneau cover will operate smoothly, it can be manually moved through its full range of motion. Pull the motor clutch lever up to disengage the motor, then carefully pull on the tonneau cover. If it moves easily with no binding/rough spots, proceed with the rest of the installation. If it is difficult to operate or has rough spots, the side rails will need further adjustment until the tonneau cover operates smoothly



**A=A B=B**

Check that side rails are even



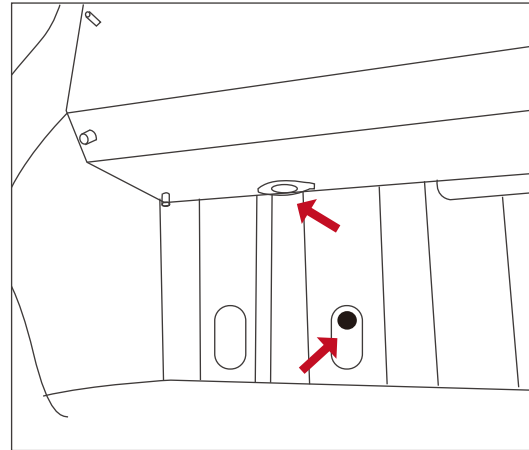
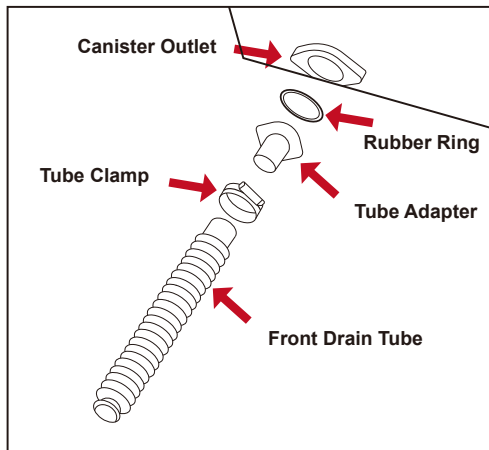
**RC**  
ROUGH COUNTRY

# INSTALLATION INSTRUCTIONS

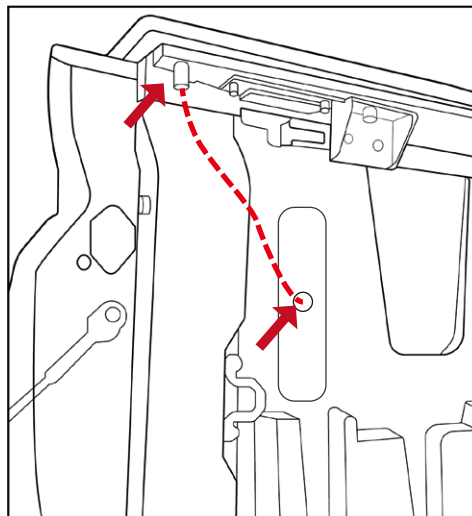
## STEP 11

### INSTALL DRAIN TUBES

Install the front drain tube adapters onto the front drain tubes and tighten using the supplied tube clamps. Press the rubber ring into the groove in the canister outlet on the bottom of the canister, then screw the drain tube adapter into the canister outlet. **Do not over tighten as this may damage the plastic fittings.** Route the end of the front drain tube through the hole that was cut into the base of the bed from **Step 2**.



Slip the end of the rear drain tube with the pre-installed tube clamp onto the drain outlet at the end of the side rail (the tube clamp may need to be loosened to fit over the drain outlet). Route the bottom of the rear drain tube through the hole that was drilled into the bed in **Step 2**. Tighten the tube clamp until the drain tube is snug on the drain outlet, **do not over tighten as this may cause damage to the drain outlet.**



# INSTALLATION INSTRUCTIONS

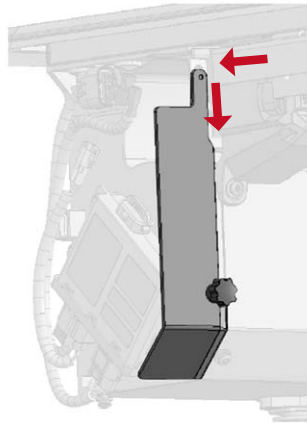
## STEP 12

### FINISH INSTALLATION

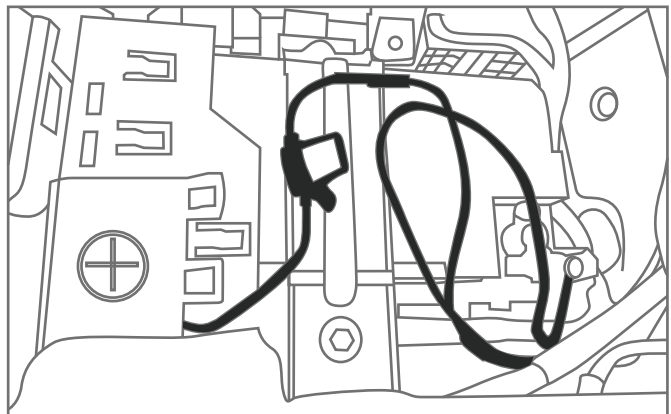
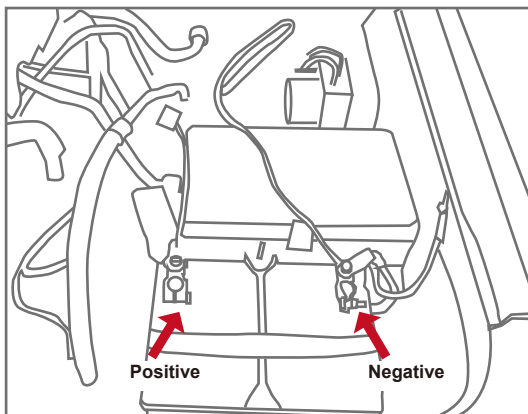
Double check that all bracket mount hardware is tight.

Ensure that the tonneau cover motor is engaged. If it is still in manual operation mode, push the motor clutch lever down, then pull on the end of the tonneau cover until the motor clicks, signifying that it is fully engaged

Install the block off panel on the driver side of the canister. Insert the nub on the top of the block off panel into the slot on the motor cover and pull down to hold it in place. Thread the knob into the bottom hole to lock the block off panel in place



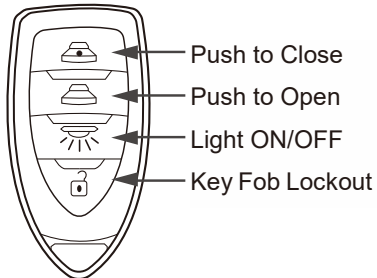
Under the hood, locate the positive and negative terminals on the vehicle battery. Carefully install the positive and negative ends of the tonneau cover power harness onto the corresponding terminals on the vehicle battery. Once the tonneau cover power harness is securely attached to the vehicle battery, place the fuse back into the fuse holder and push the cap down until it is locked in place. Secure the wires in the engine bay so they will not get damaged by moving/hot components



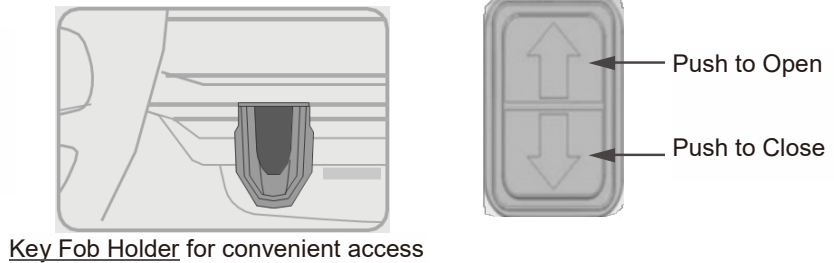
# INSTALLATION INSTRUCTIONS

## OPERATION OF THE TONNEAU COVER

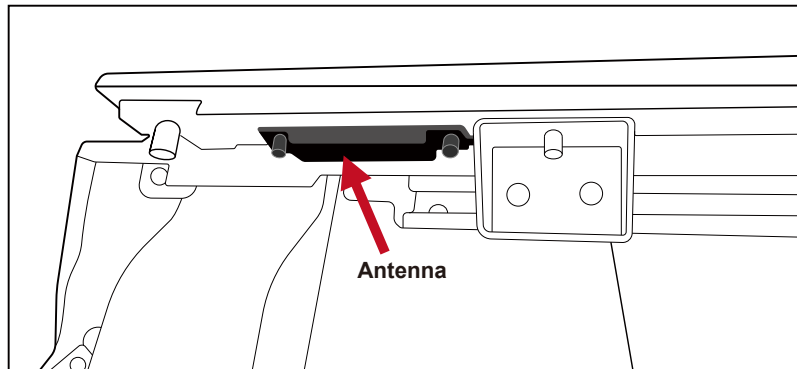
### Remote Key Fob



### Side Rail Mounted Buttons



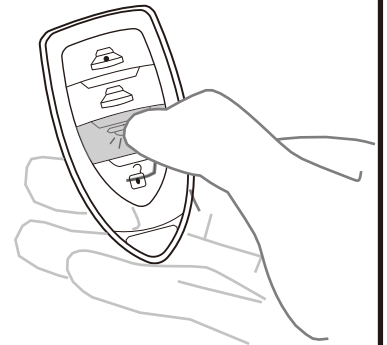
The operating range of the remote key fob is 4.5ft from the antenna located near the end of the driver side tonneau cover side rail



The key fob must be in range of the antenna for the side rail mounted push buttons to operate the tonneau cover

Prior to the first use of the tonneau cover, the self-calibration process must be performed:

- Press the Key Fob Lockout button to unlock the key fob, then press and hold the Light On/Off button for 3 seconds to activate the self-calibration function.
  - o When it starts the LED light will flash 3 times to confirm it has entered the self-calibration process. Once the self-calibration has started, do not press any other buttons or interrupt the tonneau cover until the process has completed.
  - o The tonneau cover will open all the way to learn the fully open position
  - o After 2 seconds, the tonneau cover will automatically close all the way to learn the fully closed position
  - o When the self-calibration is complete, the LED light will flash 3 times to confirm that the self-calibration process has been successfully completed



The self-calibration function should be used under the following conditions:

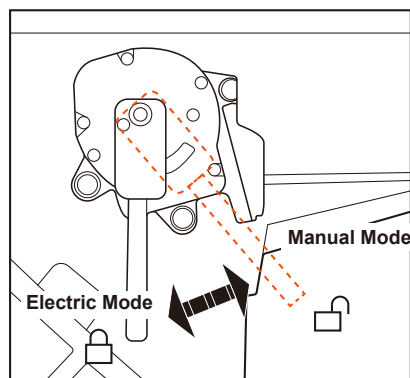
- The first time the tonneau cover is installed and connected to power
- Any time after the tonneau cover has been put into manual operation mode
- Any time it appears the tonneau cover is not fully opening or closing



# INSTALLATION INSTRUCTIONS

## FUNCTIONS:

- **Tonneau Cover Key Fob Lockout-** when the key fob is locked, the buttons on the key fob will not operate the tonneau cover until it is unlocked. The push buttons on the driver side tonneau cover side rail will still work as long as the key fob is within range
  - Press key fob lock button- key fob use will be locked/unlocked
  - The key fob will automatically enter lockout mode if it is out of range of the antenna for more than 5 minutes
  - The first time the tonneau cover is connected to power or if it is disconnected from power, the key fob will enter its default “locked” status
  - The ECU will emit a sound to signify the status of the key fob each time the lock/unlock button is pressed
    - 1 beep- key fob is unlocked
    - 2 beeps- key fob is locked
- **To open the tonneau cover-** with the key fob in range, either press the open button on the key fob (must be unlocked) or press the open button on the driver side rail
- **To close the tonneau cover-** with the key fob in range, either press the close button on the key fob (must be unlocked) or press the close button on the driver side rail
- **LED Light:**
  - Auto Mode- when the tonneau cover opens, the light will automatically turn on and will stay on for 5 minutes. The light will automatically turn off once the tonneau cover is fully closed
  - Manual Mode- press the light button on the key fob to turn the light on/off. If the key fob is in its “lockout” mode, it will only turn the LED light off if it is already on
- **Intermittent stopping-** pressing the open/close button at any time the tonneau cover is operating will immediately stop it at its current position. Tonneau cover movement will resume by pressing either button (open or close) and will move in the direction corresponding to the button pressed (open or close) independent of the initial direction of travel prior to stopping
- **Anti-pinch Protection-** if the tonneau cover detects an obstruction while it is operating, it will stop and back off about 4 inches. It will resume operating by pressing either the open or close button
- **Switching to manual/electric modes-** the tonneau cover can be switched between manual and electric operating modes by rotating the motor clutch handle up or down, as seen below:



**When switching from manual mode to electric mode, the self-calibration process (described previously) must be performed prior to normal operation of the tonneau cover**

# INSTALLATION INSTRUCTIONS

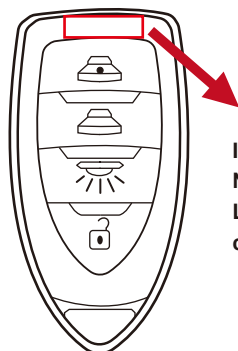
- **System Status Indication (for repairing and troubleshooting ONLY):** This function is used for troubleshooting when there's something wrong with the system and will indicate the status of the system through the flashing of the LED Light. There are two different signals of the LED Light, long flash and short flash, the error can be determined through the coding below:
  - Self-Calibration: start with long flash 2 times, and short flash 3 times; end with long flash 2 times, and short flash 3 times
  - Motor Position Sensor Error: long flash 3 times, and short flash 1 time
  - High Voltage: long flash 4 times, and short flash 2 times
  - Low Voltage: long flash 4 times, and short flash 3 times

## FINAL NOTES

- Open and close the tonneau cover to ensure that it is operating without rubbing or binding
- Open and close the tailgate to check for proper movement
- On some models, a better fit with the tailgate may be obtained if the rear of the side rails are adjusted slightly up or down
- Recheck that all mounting hardware is tight.
- Check that the side rails are spaced evenly on the bed, and adjust accordingly

## MAINTENANCE AND CARE

- Periodically clean the canister of dirt or debris that may have been collected inside
- Periodically check front and rear drain tubes and clean as needed
- A non-graphite dry lubricant may be sprayed onto the circular track inside the canister to maintain smooth operation of the tonneau cover
- Remove any snow or large debris from on top of the tonneau cover before opening
- Clean with mild soap and water only, do not use strong chemicals or cleaners. Do not wax the tonneau cover
- Periodically check that the tonneau cover is securely attached to the truck bed and that the mount brackets have not come loose. Frequent usage of the tonneau cover or vibrations from driving on rough road may cause the tonneau cover to require adjustment
- Inspect the remote key fob and replace the battery as needed. The LED light on the key fob will change from green to red to indicate low voltage from the battery and that it should be replaced soon



### Indicator LED

Normal Use: Green light when key fob is activated.

Low Battery: Red light to remind changing battery cell of the key fob within 3 months



# INSTALLATION INSTRUCTIONS

## WARNING AND SAFETY INFORMATION

- Do not use the truck bed as a passenger compartment. In case of entrapment: Disengage the motor by removing the cover panel and lift the clutch release handle upward (front driver side of bed). Pull on the tonneau cover to retract.
- Do not store or transport volatile materials such as solvents, chemicals, or liquids as fumes may accumulate inside the bed. Do not allow solvents, chemicals, or oils to come into contact with the tonneau cover. If this happens clean the tonneau cover immediately with a mild detergent and water solution.
- Do not stand/sit or rest heavy objects on the tonneau cover.
- Do not fill or store volatile liquid containers such as fuel cans while under the tonneau cover.
- Do not drive the vehicle with the motor clutch disengaged- free moving tonneau cover may move causing injury or damage to property while driving
- The tonneau cover is designed to be water and dust resistant in the majority of situations, in certain extreme environments a certain level of ingress is to be expected. Items that are of high value and are susceptible to water damage should be packaged accordingly. Condensation on the underside of the tonneau cover should be expected under certain conditions (cool days/nights).
- Do not subject the tonneau cover to excessive open/close forces. Excessive force may damage internal components, replacement of which may not be covered in your warranty
- While the tonneau cover has a built in safety feature to prevent damage and injury, you must keep obstructions clear of cover during opening/closing
- To ensure your tonneau cover continues to operate in a trouble free manner we recommend recalibrating the cover every 6 months. This interval may be reduced if you notice any irregularities when opening or closing the cover

**By purchasing any item sold by Rough Country, LLC, the buyer expressly warrants that he/she is in compliance with all applicable, State, and Local laws and regulations regarding the purchase, ownership, and use of the item. It shall be the buyers responsibility to comply with all Federal, State and Local laws governing the sales of any items listed, illustrated or sold. The buyer expressly agrees to indemnify and hold harmless Rough Country, LLC for all claims resulting directly or indirectly from the purchase, ownership, or use of the items.**

