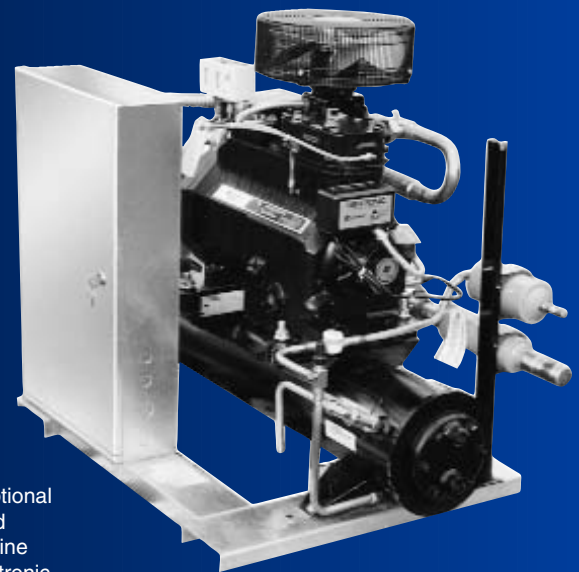
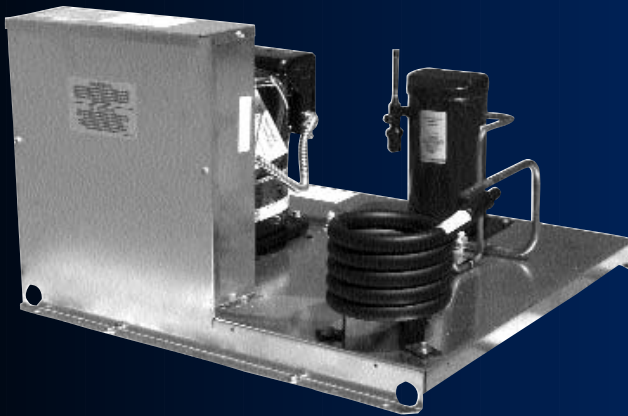


INDOOR WATER COOLED CONDENSING UNITS 1/2 THROUGH 40 H.P.

Publication 534.6

June, 2006



Unit shown with optional control panel, liquid assembly, suction line assembly and electronic oil safety control.



The RW series of outdoor water cooled condensing units feature R-404A and R-22 refrigerants. Designed to be compact, yet serviceable, it offers a full selection of standard and optional features. Its narrow profile allows it to easily fit through doorways and its small footprint maximizes use of premium floor space. An optional stacking rack can further enhance floor space utilization on multiple unit installations. A cleanable shell and tube condenser with extra pumpdown capacity is standard.

Standard Features:

- Discus or Reed Semi-hermetic Compressor
- Suction and discharge service valves (as required)
- Compressor spring mounts
- Dual pressure control
- Oil failure control (as required)
- Compressor head cooling fan (as required)
- Cleanable shell and tube water cooled condenser
- Pressure relief fusible plug
- Contactor box
- Compressor contactor and control circuit fusing
- UL and CUL listed

Optional Features:

- Large electrical control panel (as shown above)
- Crankcase heater
- Liquid line assembly (sight glass and filter)
- Suction line assembly (filter and vibration absorber)
- Suction Accumulator
- Oil Separator
- Air or Electric Defrost provisions (requires optional control panel)
- Pumpdown toggle switch
- Water regulating valve (shipped loose)
- Two tier stacking rack

PERFORMANCE @ 105°F CONDENSING TEMPERATURE

	REF. TYPE	MODEL NUMBER	NOM H.P.	CAPACITY (BTUH) AT SUCTION TEMPERATURE (°F)										Gallons per Minute	Press. Drop (P.S.I.)	
				40°	30°	25°	20°	10°	0°	-10°	-20°	-30°	-40°			
H E R M E T I C	MED TEMP 404A	RWH050M44	1/2	---	---	6300	5500	4060	2950	2100	---	---	---	1.7	1.5	
		RWH075M44	3/4	---	---	9900	8700	6790	5190	3770	1600	---	---	2.2	2.8	
		RWH101M44	1	---	---	13320	11850	9230	6970	4980	3200	---	---	4.1	2.4	
		RWH150M44	1 1/2	---	---	17440	15280	11500	8330	5640	---	---	---	5.1	3.5	
		RWH201M44	2	---	---	25900	22990	17600	12730	8350	---	---	---	5.7	2.8	
		RWH300M44	3	---	---	29380	25510	19120	14130	10050	---	---	---	8.9	5.9	
	LOW TEMP 404A	RWH400M44	4	---	43570	38580	33790	24930	17330	11300	7160	---	---	12.4	7.1	
		RWH500M44	5	---	50840	44990	39640	30320	22580	16150	---	---	---	13.4	6.1	
		RWH050L44	1/2	---	---	---	5500	4060	2950	2100	1450	---	---	1.0	0.5	
		RWH075L44	3/4	---	---	---	8700	6800	5200	3750	2030	---	---	1.3	1.0	
		RWH100L44	1	---	---	---	11800	9220	6960	4980	2350	---	---	2.4	2.6	
		RWH165L44	1 1/2	---	---	---	---	---	11800	8700	5990	3730	---	3.0	4.5	
	HIGH TEMP 22	RWH215L44	2	---	---	---	---	---	17100	12600	8720	5560	---	3.9	2.2	
		RWH315L44	3	---	---	---	---	---	21100	16000	11700	7850	---	5.2	3.2	
		RWH051H22	1/2	6380	5020	4430	3890	2960	2240	---	---	---	---	2.5	2.7	
		RWH075H22	3/4	9790	7740	6830	5980	4460	3090	---	---	---	---	2.2	2.2	
		RWH100H22	1	14220	11310	10020	8810	6600	4550	---	---	---	---	3.5	5.9	
		RWH151H22	1 1/2	20100	15900	14000	12300	9100	6290	---	---	---	---	4.8	3.2	
	S E M I - H E R M E T I C	MED TEMP 404A	RWS050M44	1/2	---	---	5300	4800	3700	2800	---	---	---	---	2.1	1.5
			RWS100M44	1	---	---	9900	9000	7200	5600	---	---	---	---	2.2	2.8
			RWS200M44	2	---	---	16400	14500	11600	9200	---	---	---	---	4	2.4
RWS300M44			3	---	---	30000	26800	21100	16400	---	---	---	---	6.8	5.4	
MED / HIGH TEMP 22		RWS400M44	4	---	---	41500	36700	28400	21400	---	---	---	---	11.4	6.1	
		RWS050H22	1/2	6130	4840	4280	3770	2900	2210	---	---	---	---	1.5	0.9	
	RWS075H22	3/4	9460	7430	6540	5720	4270	3050	---	---	---	---	2.7	3.1		
	RWS100H22	1	12800	10270	9150	8130	6340	4890	---	---	---	---	3.2	5.1		
	RWS150H22	1 1/2	16620	13330	11850	10480	8040	5950	---	---	---	---	4.1	2.4		
	RWS200H22	2	22600	18200	16200	14400	11100	7880	---	---	---	---	6.2	4.9		
LOW TEMP 404A	RWS300H22	3	36700	29400	26200	23200	17900	13600	---	---	---	---	11	8.4		
	RWS400H22	4	56700	44400	39200	34300	25500	17800	---	---	---	---	12.1	6.8		
	RWS500H22	5	64400	51400	45600	40200	30800	22900	---	---	---	---	13.6	6.2		
	RWS500M22	5	---	---	55100	49000	38300	29800	---	---	---	---	16.4	8.7		
	RWS050L44	1/2	---	---	---	---	---	3600	2700	1900	1200	710	0.7	0.4		
	RWS075L44	3/4	---	---	---	---	---	5800	4300	3100	2200	1390	1.8	1.2		
LOW TEMP 22	RWS100L44	1	---	---	---	---	---	7800	6000	4500	3200	2210	1.6	1.4		
	RWS150L44	1 1/2	---	---	---	---	---	11400	8900	6700	4900	3550	2	2.4		
	RWS200L44	2	---	---	---	---	---	15400	11800	8800	6300	4270	3.8	6.8		
	RWS250L44	2 1/2	---	---	---	---	---	17900	13300	9600	6500	3840	6.1	4.7		
	RWS300L44	3	---	---	---	---	---	25600	18870	13550	9140	5670	6.1	4.7		
	RWS050L22	1/2	---	---	---	---	---	3430	2480	1680	1030	536	1.1	0.6		
S C R O L L	MED TEMP 404A /22†	RWO200M44	2	25700	21400	19400	17700	14400	11700	---	---	---	---	7.4	6.2	
		RWO250M44	2 1/2	31700	26600	23900	21700	17800	14500	---	---	---	---	6.9	3.8	
		RWO300M44	3	35200	29300	26600	24100	19800	16100	---	---	---	---	9	6	
		RWO301M44	3	43800	36400	33000	30000	24500	20000	---	---	---	---	10.9	5.6	
		RWO400M44	4	50000	42400	38600	35000	28500	22900	---	---	---	---	11.7	4.8	
		RWO600M44	6	62400	52000	47200	42800	35000	28500	---	---	---	---	15.4	5.3	
LOW TEMP 404A	RWO650M44	6 1/2	---	61900	56300	51100	41900	34000	---	---	---	---	15.2	5.2		
	RWO200L44	2	---	---	---	---	---	11400	9200	7400	5800	4400	3.3	5.3		
	RWO250L44	2 1/2	---	---	---	---	---	14500	11700	9400	7400	5700	4.4	2.6		
	RWO300L44	3	---	---	---	---	---	16300	13200	10500	8300	6400	4.4	2.8		
	RWO301L44	3	---	---	---	---	---	20200	16200	12900	10200	7900	6.8	5.9		
	RWO400L44	4	---	---	---	---	---	23800	19100	15000	11480	8600	8.1	7.2		
D I S C U S	404A MED	RWD500M44	5	77200	62600	56000	49800	39100	---	---	---	---	---	17.4	9.8	
		RWD600M44	6	94000	76200	68300	61000	48200	---	---	---	---	---	22	1.2	
	LOW TEMP 404A	RWD300L44	3	---	---	---	---	---	32800	25300	19000	13900	9570	6	3	
		RWD400L44	4	---	---	---	---	---	39200	30400	23100	17000	11890	8.1	5	
		RWD500L44	5	---	---	---	---	---	44300	34700	26600	19900	14090	8.8	3.9	
	R-22	RWD500H22	5	73400	58900	52500	46600	36000	---	---	---	---	---	16.2	7.3	
RWD300L22		3	---	---	---	---	---	30200	22100	16000	11200	7180	7.2	5.9		
RWD400L22		4	---	---	---	---	---	35400	26700	19300	13300	8660	6.4	3.4		
22	RWD500L22	5	---	---	---	---	---	41200	31000	22500	15600	10200	12.1	6.8		

† - DEDUCT 2% FOR R-22 MED. SCROLL UNIT TO ACHIEVE APPROXIMATE CAPACITY.

GPM & P.S.I. @
Highest Evap. Rating
85° Ewt.

ELECTRICAL DATA

COMP. TYPE	REF TYPE	MODEL NUMBER	COMPR. NUMBER	AMPS @ 230/1/60 *			AMPS @ 208/230/3/60			AMPS @ 460/3/60			
				COMPRESSOR		MCA	COMPRESSOR		MCA	COMPRESSOR		MCA	
				RLA	LRA		RLA	LRA		RLA	LRA		
HERMETIC	MED TEMP 404A	RWH050M44	RS43C1E	5.40	24.10	15.00	----	----	----	----	----	----	
		RWH075M44	RS70C1E	7.00	34.20	15.00	4.70	31.00	15.00	----	----	----	
		RWH101M44	RS97C1E	11.00	51.00	15.00	7.00	35.00	15.00	----	----	----	
		RWH150M44	CS12K6E	10.90	56.00	15.00	7.50	51.00	15.00	----	----	----	
		RWH201M44	CS18K6E	16.00	82.00	22.00	10.40	65.00	15.00	----	----	----	
		RWH300M44	CS20K6E	18.00	96.00	30.00	11.40	75.00	20.00	----	----	----	
	LOW TEMP 404A	RWH400M44	CS27K6E	23.90	95.40	35.00	15.30	82.00	25.00	----	----	----	
		RWH500M44	CS33K6E	30.70	125.00	40.00	20.70	90.00	27.00	8.60	45.00	15.00	
		RWH050L44	RS43C1E	5.40	24.10	15.00	----	----	----	----	----	----	
		RWH075L44	RS70C1E	7.00	34.20	15.00	4.70	31.00	15.00	----	----	----	
		RWH100L44	RS97C1E	11.00	51.00	15.00	7.00	35.00	15.00	----	----	----	
		RWH165L44	CF06K6E	11.40	59.20	16.00	7.00	52.00	15.00	----	----	----	
	HIGH TEMP 22	RWH215L44	CF09K6E	16.70	87.00	22.00	10.20	72.20	30.00	----	----	----	
		RWH315L44	CF12K6E	20.50	105.00	27.00	12.30	85.00	30.00	5.90	42.00	15.00	
		RWH051H22	ART82C1	5.90	30.00	15.00	----	----	----	----	----	----	
		RWH075H22	RSE-0075	7.10	35.50	15.00	----	----	----	----	----	----	
		RWH100H22	RS70C1	7.00	34.20	15.00	4.70	31.00	15.00	----	----	----	
		RWH151H22	CR18KQ	9.00	41.00	15.00	6.00	49.00	15.00	----	----	----	
	SEMI-HERMETIC	MED TEMP 404A	RWS050M44	HAJ-005E	3.70	22.00	15.00	----	----	----	----	----	----
			RWS100M44	KAR-010E	7.40	40.00	15.00	4.30	27.00	15.00	----	----	----
			RWS200M44	KAK-020E	10.60	55.00	15.00	6.80	50.00	15.00	----	----	----
RWS300M44			ERF-031E	----	----	----	12.40	82.00	17.00	5.80	41.00	15.00	
MED / HIGH TEMP 22		RWS400M44	NRB-040E	----	----	----	21.80	141.00	30.00	11.30	62.50	15.00	
		RWS050M22	HAJ-005E	3.70	22.00	15.00	----	----	----	----	----	----	
		RWS075M22	KAE-0075	5.40	36.00	15.00	3.40	19.90	15.00	----	----	----	
		RWS100M22	KAM-0100	7.50	40.00	15.00	4.50	27.00	15.00	----	----	----	
		RWS050H22	HAG-0050	4.40	22.00	15.00	2.40	13.00	15.00	----	----	----	
		RWS075H22	KAN-0075	6.10	36.00	15.00	3.50	19.90	15.00	----	----	----	
		RWS100H22	KAR-010E	7.40	40.00	15.00	4.30	27.00	15.00	----	----	----	
		RWS150H22	KAG-0150	9.60	55.00	15.00	5.50	35.50	15.00	----	----	----	
	RWS200H22	KAK-020E	10.50	55.00	15.00	6.80	50.00	15.00	----	----	----		
	RWS300H22	ERF-031E*	17.00	86.00	25.00	12.40	82.00	17.00	5.80	41.00	15.00		
	RWS400H22	NRB-040E	----	----	----	21.80	141.00	30.00	11.30	62.50	15.00		
	RWS400M22	3RA-0311	17.80	86.00	27.00	14.20	82.00	20.00	6.30	41.00	15.00		
LOW TEMP 404A	RWS500H22	NRA-0500	----	----	----	19.20	141.00	26.00	9.60	62.50	15.00		
	RWS500M22	NRM-0500	----	----	----	24.30	141.00	32.00	12.10	62.50	16.00		
	RWS050L44	KAN-005E	3.60	24.00	20.00	2.20	13.20	20.00	----	----	----		
	RWS075L44	KAM-007E	5.60	36.00	20.00	3.20	19.90	20.00	----	----	----		
	RWS100L44	KAJ-010E	6.90	40.00	25.00	4.50	27.00	25.00	----	----	----		
	RWS150L44	KAL-015E	9.90	55.00	30.00	6.60	50.00	30.00	----	----	----		
LOW TEMP 22	RWS200L44	EAV-021E	14.70	102.00	30.00	7.40	50.00	30.00	----	----	----		
	RWS250L44	3AB-031E*	14.70	86.00	30.00	10.00	82.00	30.00	----	----	----		
	RWS300L44	LAH-032E*	16.70	105.00	30.00	12.80	112.00	30.00	6.00	56.00	15.00		
	RWS050L22	KAN-005E	3.60	24.00	20.00	----	----	----	----	----	----		
	RWS075L22	KAM-007E	5.60	36.00	20.00	3.20	19.90	20.00	----	----	----		
	RWS100L22	KAJ-010E	6.90	40.00	25.00	3.40	27.00	25.00	----	----	----		
SCROLL	LOW TEMP	RWS200L22	KAK-021E	10.60	55.00	30.00	6.80	50.00	30.00	----	----	----	
		RWS201L22	EAD-020E	8.40	58.00	30.00	6.80	46.00	30.00	----	----	----	
		RWS202L22	EAV-021E*	14.70	102.00	30.00	7.40	50.00	30.00	----	----	----	
		RWS300L22	LAH-032E*	16.70	105.00	31.00	12.80	112.00	30.00	6.00	56.00	15.00	
		RWO200M44/22	ZS15K4E	13.60	61.00	18.00	9.30	55.00	15.00	4.30	27.00	15.00	
		RWO250M44/22	ZS19K4E	16.40	73.00	22.00	9.70	63.00	15.00	5.00	31.00	15.00	
	LOW TEMP	RWO300M44/22	ZS21K4E	16.40	88.00	22.00	11.10	77.00	15.00	5.70	39.00	15.00	
		RWO301M44/22	ZS26K4E	20.70	109.00	27.00	13.60	88.00	18.00	7.10	44.00	15.00	
		RWO400M44/22	ZS30K4E	26.80	129.00	35.00	15.00	99.00	20.00	8.20	49.50	15.00	
		RWO600M44/22	ZS38K4E	31.80	169.00	41.00	21.40	123.00	28.00	9.60	62.00	15.00	
		RWO650M44/22	ZS45K4E	31.80	169.00	41.00	21.40	123.00	28.00	9.60	62.00	15.00	
		RWO200L44	ZF06K4E	13.60	61.00	18.00	9.30	55.00	15.00	4.30	27.00	15.00	
DISCUS	404A MED	RWD500M44	2DD-R63KE	----	----	----	22.30	120.00	29.00	10.50	60.00	15.00	
		RWD600M44	2DL-R78KE	----	----	----	31.60	169.00	44.00	13.80	85.00	20.00	
	LOW TEMP 404A	RWD300L44	2DF-F16KE	----	----	----	16.80	102.00	31.00	8.10	52.00	15.00	
		RWD400L44	2DL-F20KE	----	----	----	26.30	161.00	47.00	10.20	60.00	20.00	
	R-22	RWD500L44	2DA-F23KE	----	----	----	28.80	161.00	54.00	10.20	60.00	22.00	
		RWD500H22	2DD-R63KE	----	----	----	22.30	120.00	29.00	10.50	60.00	15.00	
DISCUS	LOW TEMP 22.00	RWD300L22	2DF-F16KE	----	----	----	16.80	102.00	31.00	8.10	52.00	15.00	
		RWD400L22	2DL-F20KE	----	----	----	26.30	161.00	47.00	10.20	60.00	20.00	
		RWD500L22	2DA-F23KE	----	----	----	28.80	161.00	54.00	10.20	60.00	22.00	

PERFORMANCE @ 105 °F CONDENSING TEMPERATURE

NOM. H.P.	REF. TYPE	MODEL NUMBER	BTUH CAPACITY AT SUCTION TEMPERATURE (°F)									
			40°	30°	25°	20°	10°	0°	-10°	-20°	-30°	-40°
3	22	RWS4M22	----	----	32800	29400	23100	17400	----	----	----	----
5	22	RWS5M22	----	----	55100	49000	38300	29800	----	----	----	----
3	22	RWS3H22	36700	29400	26200	23200	17900	13600	----	----	----	----
4	22	RWS4H22	56500	44400	39200	34300	25500	17800	----	----	----	----
5	22	RWS5H22	64400	51400	45600	40200	30800	22900	----	----	----	----
5	22	RWD5H22	73400	58900	52500	46600	36000	----	----	----	----	----
7.5	22	RWD7H22	101300	81300	72400	64400	50800	----	----	----	----	----
7.5	22	RWD8H22	123800	100700	90500	81100	64400	----	----	----	----	----
10	22	RWD10H22	143900	117800	106300	95600	76900	----	----	----	----	----
15	22	RWD15H22	191200	155500	139500	124700	98000	----	----	----	----	----
20	22	RWD20H22	210500	171100	153400	137000	107900	----	----	----	----	----
25	22	RWD25H22	275000	224000	200500	164500	127500	----	----	----	----	----
30	22	RWD30H22	325500	261000	234000	209000	163500	----	----	----	----	----
35	22	RWD35H22	390500	317000	285500	255500	204500	----	----	----	----	----
40	22	RWD40H22	468500	384500	346500	311000	248000	----	----	----	----	----
3	404A	RWS3M44	----	----	30000	26800	21000	16400	----	----	----	----
4	404A	RWS4M44	----	----	41500	36700	28400	21400	----	----	----	----
5	404A	RWD5M44	77200	62600	56000	49800	39100	30200	23200	----	----	----
6	404A	RWD6M44	94000	76200	68300	61000	48300	37700	29200	----	----	----
7.5	404A	RWD7M44	107600	87600	78800	70700	56600	44800	34900	----	----	----
7.5	404A	RWD8M44	126100	102700	92400	82800	66100	52200	40700	----	----	----
10	404A	RWD10M44	148700	121600	109600	98700	79400	63000	49100	----	----	----
12	404A	RWD12M44	203800	166100	149450	134200	107400	85200	66900	----	----	----
15	404A	RWD15M44	204700	167200	150600	135400	108700	86300	67700	----	----	----
20	404A	RWD20M44	218200	179000	161000	144200	114100	88700	67100	----	----	----
25	404A	RWD25M44	272400	226300	204600	183800	146250	114900	91200	----	----	----
30	404A	RWD30M44	333550	273000	245800	220500	175400	137500	106150	----	----	----
35	404A	RWD35M44	422100	343600	309000	277300	221650	175200	136400	----	----	----
40	404A	RWD40M44	482800	398900	360900	325500	261950	208100	163350	----	----	----
3	22	RWS3L22	----	----	----	----	----	23000	17200	12000	7960	5300
3	22	RWD3L22	----	----	----	----	----	30200	22100	16000	11200	7200
4	22	RWD4L22	----	----	----	----	----	35400	26700	19300	13300	8700
5	22	RWD5L22	----	----	----	----	----	41200	31000	22500	15600	10200
6	22	RWD6L22	----	----	----	----	----	49300	37200	27300	19400	13000
7.5	22	RWD8L22	----	----	----	----	----	59100	45200	33800	24500	16700
9	22	RWD9L22	----	----	----	----	----	71800	55000	40700	28800	19500
10	22	RWD10L22	----	----	----	----	----	77700	59400	44100	31500	21200
12	22	RWD12L22	----	----	----	----	----	85200	64300	46700	32000	19500
15	22	RWD15L22	----	----	----	----	----	106900	82200	61400	43800	29200
22	22	RWD22L22	----	----	----	----	----	125900	95500	72300	53400	35900
27	22	RWD27L22	----	----	----	----	----	157000	121000	91400	66200	43400
30	22	RWD30L22	----	----	----	----	----	188000	143400	108300	79600	53900
3	404A	RWS3L44	----	----	----	----	----	25100	18900	13500	9100	5700
3	404A	RWD3L44	----	----	----	----	----	32800	25300	19000	13900	9600
4	404A	RWD4L44	----	----	----	----	----	39200	30400	23100	17000	11900
5	404A	RWD5L44	----	----	----	----	----	44300	34700	26600	19900	14100
6	404A	RWD6L44	----	----	----	----	----	53100	41600	32000	24000	17400
7.5	404A	RWD8L44	----	----	----	----	----	62700	49100	37900	28600	20600
9	404A	RWD9L44	----	----	----	----	----	76900	60200	46300	34700	25200
10	404A	RWD10L44	----	----	----	----	----	85200	67500	52400	39500	28700
12	404A	RWD12L44	----	----	----	----	----	88700	69500	54000	40800	28200
15	404A	RWD15L44	----	----	----	----	----	114900	91100	71800	55200	39800
22	404A	RWD22L44	----	----	----	----	----	138000	110200	86400	65400	46300
27	404A	RWD27L44	----	----	----	----	----	175800	139400	107400	80000	57180
30	404A	RWD30L44	----	----	----	----	----	198200	155900	120300	90300	64860

- NOTES:** 1. Increase (decrease) capacity 3% for each 5°F lower (higher) condensing temperature.
2. R-507 capacity ratings are similar to R-404A ratings. When ordering a R-507 model, change the model number suffix from 44 to 57.

ELECTRICAL AND WATER (GPM) DATA

RUSSELL MODEL NUMBER	COMP. MODEL NUMBER	AMPS @ 208-230/3/60			AMPS @ 460/3/60			GPM REQ'D FOR 85°F EWT**	
		COMPRESSOR		MIN. CIRC	COMPRESSOR		MIN. CIRC	MAX GPM	P.D. (PSI)
		RLA	LRA	AMPACITY*	RLA	LRA	AMPACITY*		
RWS4M22	3RA-0310/1	14.2	82.0	19	6.3	41.0	15	6.4	2.70
RWS5M22	NRM-0500	24.3	141.0	32	12.1	62.5	16	12.1	0.45
RWS3H22	ERF-0310	12.4	82.0	17	5.8	41.0	15	7.1	3.20
RWS4H22	NRB-0400	21.8	141.0	29	11.3	62.5	15	13.7	11.6
RWS5H22	NRA-0500	19.2	141.0	26	9.6	62.5	15	14.0	0.60
RWD5H22	2DD-R63KE	22.3	120.0	29	10.5	60.0	15	15.7	0.73
RWD7H22	2DA-R89KE	32.0	169.0	42	14.1	85.0	19	21.2	1.10
RWD8H22	3DA-R10ME	41.0	215.0	53	20.0	106.0	27	29.2	2.00
RWD10H22	3DB-R12ME	43.6	215.0	56	20.0	106.0	27	32.5	1.55
RWD15H22	3DS-R17ME	59.6	275.0	76	29.0	138.0	38	41.9	1.35
RWD20H22	4DA-R18ME	70.0	308.0	89	35.0	154.0	45	49.4	1.85
RWD25H22	4DH-R22ME	82.2	428.0	105	41.1	214.0	52	65.6	5.50
RWD30H22	4DJ-R28ME	94.0	470.0	120	47.0	235.0	60	48.6	1.45
RWD35H22	6DH-R35ME	107.0	565.0	136	53.5	283.0	68	66.7	2.65
RWD40H22	6DJ-R40ME	142.0	594.0	180	71.0	297.0	90	75.6	1.30
RWS3M44	ERF-031E	12.4	82.0	17	5.8	41.0	15	5.6	2.10
RWS4M44	NRB-040E	21.8	141.0	29	11.3	62.5	15	9.2	5.40
RWD5M44	2DD-R63KE	22.3	120.0	29	10.5	60.0	15	17.4	0.88
RWD6M44	2DL-R78KE	31.6	169.0	42	13.8	85.0	19	24.0	1.63
RWD7M44	2DA-R89KE	32.0	169.0	42	14.1	85.0	19	23.7	1.30
RWD8M44	3DA-R10ME	41.0	215.0	53	20.0	106.0	27	29.2	2.15
RWD10M44	3DB-R12ME	43.6	215.0	56	20.0	106.0	27	35.4	1.85
RWD12M44	3DF-R15ME	48.2	275.0	63	23.6	138.0	31	41.2	1.30
RWD15M44	3DS-R17ME	59.6	275.0	76	29.0	138.0	38	48.6	1.80
RWD20M44	4DA-R18ME	66.0	308.0	84	33.0	154.0	43	52.8	2.10
RWD25M44	4DH-R22ME	82.2	428.0	105	41.1	214.0	52	65.7	5.50
RWD30M44	4DJ-R28ME	94.0	470.0	120	45.0	235.0	58	52.8	1.70
RWD35M44	6DH-R35ME	107.0	565.0	136	55.0	260.0	70	71.0	3.00
RWD40M44	6DJ-R40ME	142.0	594.0	180	70.0	315.0	90	78.7	1.35
RWS3L22	LAH-0310/1	10.7	82.0	16	5.2	41.0	15	0.6	2.00
RWD3L22	2DF-F16KE	16.8	102.0	23	8.1	52.0	15	9.1	4.56
RWD4L22	2DL-F20KE	26.3	161.0	35	10.2	60.0	15	7.6	3.70
RWD5L22	2DA-F23KE	28.8	161.0	38	10.2	60.0	15	9.6	5.80
RWD6L22	3DA-F28KE	26.5	150.0	36	12.0	77.0	17	13.2	10.7
RWD8L22	3DB-F33KE	31.5	161.0	42	16.1	83.0	22	14.3	0.65
RWD9L22	3DF-F40KE	39.0	215.0	51	16.9	106.0	23	16.0	0.75
RWD10L22	3DS-F46KE	42.0	215.0	55	18.6	106.0	25	22.0	1.40
RWD12L22	4DA-F47KE	42.0	240.0	55	21.0	120.0	28	20.6	1.00
RWD15L22	4DL-F63KE	52.6	278.0	68	26.3	139.0	35	29.7	2.00
RWD22L22	4DT-F76KE	66.0	374.0	85	33.0	187.0	43	35.1	1.80
RWD27L22	6DL-F93KE	80.8	450.0	103	40.4	225.0	51	40.0	1.20
RWD30L22	6DT-F11ME	95.6	470.0	122	47.8	235.0	55	53.6	2.15
RWS3L44	LAH-032E	12.8	112.0	18	6.2	56.0	15	7.1	2.80
RWD3L44	2DF-F16KE	16.8	102.0	23	8.1	52.0	15	7.0	1.20
RWD4L44	2DL-F20KE	26.3	161.0	35	10.2	60.0	15	9.1	5.30
RWD5L44	2DA-F23KE	28.8	161.0	38	10.2	60.0	15	11.2	7.80
RWD6L44	3DA-F28KE	26.5	150.0	36	12.0	77.0	17	11.9	8.10
RWD8L44	3DB-F33KE	31.5	161.0	42	16.1	83.0	22	16.0	0.75
RWD9L44	3DF-F40KE	39.0	215.0	51	16.9	106.0	23	22.0	1.40
RWD10L44	3DS-F46KE	42.0	215.0	55	18.6	106.0	25	26.3	1.95
RWD12L44	4DA-F47KE	45.6	220.0	59	22.8	110.0	30	21.9	1.10
RWD15L44	4DL-F63KE	52.6	278.0	68	26.3	139.0	35	33.9	0.26
RWD22L44	4DT-F76KE	66.0	374.0	85	33.0	187.0	43	33.9	0.26
RWD27L44	6DL-F93KE	80.8	450.0	103	41.6	218.0	51	47.2	1.70
RWD30L44	6DT-F11ME	95.6	470.0	122	42.8	235.0	55	60.2	2.70

NOTES: * Minimum Circuit Ampacity shown is for the condensing unit and control circuit only. No provisions for electric defrost or evaporator fan loads are included. Consult the unit nameplate for more specific information.

** Max. GPM shown is for the highest suction rating and Min.

PHYSICAL DATA

MODEL NUMBER	RECVR. CAP @ 90%	CONNECTIONS (IN)			FIG.	SHIP WT. (lbs.)
		LIQ. ODS	SUCT. ODS	WATER ODS		

HERMETIC COMPRESSOR

RWH050M44	5.1	3/8	5/8	1/2	1	105
RWH075M44	5.1	3/8	5/8	1/2	1	110
RWH101M44	5.1	3/8	5/8	1/2	2	115
RWH150M44	8.6	3/8	7/8	1/2	2	140
RWH201M44	8.6	3/8	7/8	5/8	2	160
RWH300M44	13.7	1/2	1-1/8	7/8	2	330
RWH400M44	24.3	1/2	1-1/8	7/8	3	340
RWH500M44	24.3	1/2	1-1/8	7/8	3	360
RWH050L44	5.1	3/8	5/8	1/2	1	105
RWH075L44	5.1	3/8	5/8	1/2	1	110
RWH100L44	5.1	3/8	5/8	1/2	1	115
RWH165L44	8.6	3/8	7/8	1/2	2	140
RWH215L44	8.6	3/8	7/8	1/2	2	160
RWH315L44	13.7	1/2	1-1/8	5/8	2	350
RWH051H22	6.0	3/8	5/8	1/2	1	105
RWH075H22	6.0	3/8	5/8	1/2	1	110
RWH100H22	6.0	3/8	5/8	1/2	1	115
RWH151H22	10.0	3/8	7/8	5/8	2	170
RWH201H22	10.0	3/8	7/8	5/8	2	190
RWH251H22	16.0	1/2	7/8	7/8	2	305
RWH301H22	16.0	1/2	7/8	7/8	2	330
RWH401H22	28.2	1/2	7/8	7/8	3	348
RWH500H22	28.2	1/2	7/8	7/8	3	360

SCROLL COMPRESSOR

RWO200M44	13.7	1/2	7/8	3/4	2	315
RWO250M44	13.7	1/2	7/8	7/8	2	325
RWO300M44	13.7	1/2	7/8	7/8	2	325
RWO301M44	13.7	1/2	7/8	7/8	2	335
RWO400M44	24.3	1/2	7/8	1-1/8	3	335
RWO600M44	24.3	1/2	7/8	1-1/8	3	360
RWO650M44	24.3	5/8	7/8	1-1/8	3	360
RWO200L44	13.7	1/2	7/8	1/2	2	315
RWO250L44	13.7	1/2	7/8	1/2	2	330
RWO300L44	13.7	1/2	7/8	5/8	2	330
RWO301L44	13.7	1/2	7/8	5/8	2	340
RWO400L44	24.3	1/2	7/8	3/4	3	340
RWO500L44	24.3	1/2	7/8	7/8	3	355
RWO600L44	24.3	1/2	7/8	7/8	3	360
RWO200M22	16.0	1/2	7/8	3/4	2	315
RWO250M22	16.0	1/2	7/8	7/8	2	325
RWO300M22	16.0	1/2	7/8	7/8	2	325
RWO301M22	16.0	1/2	7/8	7/8	2	335
RWO400M22	28.2	1/2	7/8	1-1/8	3	335
RWO600M22	28.2	1/2	7/8	1-1/8	3	360
RWO650M22	28.2	5/8	7/8	1-1/8	3	360

MODEL NUMBER	RECVR. CAP @ 90%	CONNECTIONS (IN)			FIG.	SHIP WT. (lbs.)
		LIQ. ODS	SUCT. ODS	WATER ODS		

SEMI-HERMETIC COMPRESSOR

RWS050M44	5.1	3/8	5/8	1/2	1	150
RWS100M44	5.1	3/8	5/8	1/2	1	170
RWS200M44	8.6	3/8	7/8	5/8	2	240
RWS300M44	13.7	1/2	1-1/8	7/8	2	430
RWS400M44	24.3	1/2	1-1/8	7/8	3	500
RWS050L44	5.1	3/8	5/8	1/2	1	150
RWS075L44	5.1	3/8	5/8	1/2	1	160
RWS100L44	5.1	3/8	5/8	1/2	1	170
RWS150L44	8.6	3/8	7/8	1/2	2	200
RWS200L44	8.6	3/8	7/8	1/2	2	240
RWS250L44	13.7	1/2	1-1/8	5/8	2	400
RWS300L44	13.7	1/2	1-1/8	5/8	2	430
RWS050M22	6.0	3/8	5/8	1/2	1	150
RWS075M22	6.0	3/8	5/8	1/2	1	160
RWS100M22	6.0	3/8	5/8	1/2	1	170
RWS050H22	6.0	3/8	5/8	1/2	1	150
RWS075H22	6.0	3/8	5/8	1/2	1	160
RWS100H22	6.0	3/8	5/8	1/2	1	170
RWS150H22	10.0	3/8	7/8	5/8	2	200
RWS200H22	10.0	3/8	7/8	5/8	2	240
RWS300H22	16.0	1/2	1-1/8	7/8	2	430
RWS400H22	28.2	1/2	1-1/8	7/8	3	500
RWS400M22	28.2	1/2	1-1/8	7/8	3	500
RWS500H22	28.2	1/2	1-1/8	7/8	3	520
RWS500M22	28.2	1/2	1-1/8	7/8	3	520
RWS050L22	6.0	3/8	5/8	1/2	1	150
RWS075L22	6.0	3/8	5/8	1/2	1	160
RWS100L22	6.0	3/8	5/8	1/2	1	170
RWS200L22	10.0	3/8	7/8	1/2	2	240
RWS201L22	10.0	3/8	7/8	1/2	2	240
RWS202L22	10.0	3/8	7/8	1/2	2	240
RWS300L22	16.0	1/2	1-1/8	5/8	2	430

DISCUS COMPRESSOR

RWD500M44	24.3	1/2	1-1/8	7/8	3	540
RWD600M44	24.3	5/8	1-1/8	1-3/8	3	550
RWD300L44	16.8	1/2	1-1/8	7/8	3	510
RWD400L44	24.3	1/2	1-1/8	7/8	3	525
RWD500L44	24.3	1/2	1-1/8	7/8	3	540
RWD500H22	28.2	1/2	1-1/8	7/8	3	540
RWD300L22	19.6	1/2	1-1/8	3/4	3	510
RWD400L22	28.2	1/2	1-1/8	7/8	3	525
RWD500L22	28.2	1/2	1-1/8	7/8	3	540

See back page drawings and dimensional data.

PHYSICAL & DIMENSIONAL DATA

NOM. H.P.	REF. TYPE	MODEL NUMBER	Pumpdown Cap. @ 90% (lbs)	FIG.	Dimensions (Inches)						CONNECTIONS (ODS)				Approx. Ship Wt. (lbs)
					† Approx. Overall			Mounting			DISCHARGE**		SUCTION**	WATER (FPT)	
					L	W	H	A	B	C	w/o KIT	w/ KIT			
3	22	RWS4M22	29.6	4	34	29	26*	18.5	8.25	19.5	5/8	1/2	1 1/8	3/8	400
5	22	RWS5M22	68.0	4	42	29	29*	33.5	4.25	19.5	5/8	1/2	1 1/8	3/8	450
3	22	RWS3H22	29.6	4	34	29	26*	18.5	8.25	19.5	5/8	1/2	1 1/8	3/8	400
4	22	RWS4H22	29.6	4	34	29	28*	18.5	8.25	19.5	5/8	1/2	1 1/8	3/8	420
5	22	RWS5H22	68.0	4	42	29	29*	33.5	4.25	19.5	5/8	1/2	1 1/8	1	445
5	22	RWD5H22	29.3	4	42	29	31*	33.5	4.25	19.5	7/8	1/2	1 3/8	1	465
7.5	22	RWD7H22	80.0	4	48	29	31*	39.5	4.25	19.5	7/8	5/8	1 3/8	1 1/4	540
7.5	22	RWD8H22	80.0	4	48	29	31*	39.5	4.25	19.5	1 1/8	5/8	1 3/8	1 1/4	590
10	22	RWD10H22	68.0	4	48	29	34	36.5	5.75	19.5	1 1/8	7/8	1 3/8	1 1/4	780
15	22	RWD15H22	120.0	4	48	29	34	36.5	5.75	19.5	1 1/8	7/8	1 5/8	2	800
20	22	RWD20H22	120.0	4	48	32	35	36.5	5.75	22.5	1 3/8	7/8	1 5/8	2	835
25	22	RWD25H22	253.0	4	60	32	38	44.5	5.75	22.5	1 3/8	1 1/8	2 1/8	2	1050
30	22	RWD30H22	253.0	4	72	32	38	50.5	11.5	22.5	1 3/8	1 3/8	2 1/8	2	1105
35	22	RWD35H22	253.0	4	72	32	36	50.5	11.5	22.5	1 3/8	1 3/8	2 1/8	2	1150
40	22	RWD40H22	291.0	4	72	32	38	50.5	11.5	22.5	1 5/8	1 3/8	2 1/8	2 1/2	1200
3	404A	RWS3M44	25.4	4	34	29	26*	18.5	8.25	19.5	5/8	1/2	1 1/8	3/8	400
4	404A	RWS4M44	29.6	4	34	29	28*	18.5	8.25	19.5	5/8	1/2	1 1/8	3/8	450
5	404A	RWD5M44	25.4	4	42	29	31*	33.5	4.25	19.5	7/8	1/2	1 3/8	1	465
6	404A	RWD6M44	69.0	4	42	29	31*	33.5	4.25	19.5	7/8	1/2	1 3/8	1	485
7.5	404A	RWD7M44	69.0	4	48	29	31*	39.5	4.25	19.5	7/8	5/8	1 3/8	1 1/4	540
7.5	404A	RWD8M44	69.0	4	48	29	31*	39.5	4.25	19.5	1 1/8	5/8	1 3/8	1 1/4	590
10	404A	RWD10M44	59.0	4	48	29	34	36.5	5.75	19.5	1 1/8	7/8	1 3/8	1 1/4	780
12	404A	RWD12M44	104.0	4	48	29	34	36.5	5.75	19.5	1 1/8	7/8	1 3/8	2	790
15	404A	RWD15M44	104.0	4	48	29	34	36.5	5.75	19.5	1 1/8	7/8	1 5/8	2	800
20	404A	RWD20M44	104.0	4	48	32	35	36.5	5.75	22.5	1 3/8	7/8	1 5/8	2	835
25	404A	RWD25M44	217.0	4	60	32	38	44.5	5.75	22.5	1 3/8	1 1/8	2 1/8	2	1050
30	404A	RWD30M44	217.0	4	72	32	38	50.5	11.5	22.5	1 3/8	1 3/8	2 1/8	2	1105
35	404A	RWD35M44	217.0	4	72	32	36	50.5	11.5	22.5	1 3/8	1 3/8	2 1/8	2	1150
40	404A	RWD40M44	251.0	4	72	32	38	50.5	11.5	22.5	1 5/8	1 3/8	2 1/8	2 1/2	1200
3	22	RWS3L22	19.7	4	34	29	35	18.5	8.25	19.5	5/8	1/2	1 1/8	3/8	375
3	22	RWD3L22	19.7	4	34	29	39	18.5	8.25	19.5	7/8	1/2	1 3/8	3/8	390
4	22	RWD4L22	29.9	4	34	29	39	18.5	8.25	19.5	7/8	1/2	1 3/8	3/8	465
5	22	RWD5L22	68.0	4	34	29	39	18.5	8.25	19.5	7/8	1/2	1 3/8	3/8	485
6	22	RWD6L22	29.3	4	34	29	39	18.5	8.25	19.5	1 1/8	1/2	1 3/8	3/8	530
7.5	22	RWD8L22	68.0	4	42	29	38	33.5	4.25	19.5	1 1/8	5/8	1 3/8	1	590
9	22	RWD9L22	129.0	4	42	29	38	33.5	4.25	19.5	1 1/8	5/8	1 3/8	1	620
10	22	RWD10L22	120.0	4	42	29	38	33.5	4.25	19.5	1 1/8	5/8	1 5/8	1	795
12	22	RWD12L22	80.0	4	48	32	36	39.5	4.25	19.5	1 1/8	7/8	1 5/8	1 1/4	820
15	22	RWD15L22	80.0	4	48	32	36	39.5	4.25	22.5	1 3/8	7/8	1 5/8	1 1/4	845
22	22	RWD22L22	120.0	4	48	32	38	36.5	5.75	22.5	1 3/8	7/8	1 5/8	1 1/4	1030
27	22	RWD27L22	120.0	4	60	32	44	44.5	5.5	22.5	1 3/8	1 1/8	2 1/8	2	1225
30	22	RWD30L22	120.0	4	60	32	46	44.5	5.5	22.5	1 3/8	1 1/8	2 1/8	2	1310
3	404A	RWS3L44	16.9	4	34	29	35	18.5	8.25	19.5	5/8	1/2	1 1/8	3/8	375
3	404A	RWD3L44	16.9	4	34	29	39	18.5	8.25	19.5	7/8	1/2	1 3/8	3/8	390
4	404A	RWD4L44	29.9	4	34	29	39	18.5	8.25	19.5	7/8	1/2	1 3/8	3/8	465
5	404A	RWD5L44	59.0	4	34	29	39	18.5	8.25	19.5	7/8	1/2	1 3/8	3/8	485
6	404A	RWD6L44	25.4	4	34	29	39	18.5	8.25	19.5	1 1/8	1/2	1 3/8	3/8	530
7.5	404A	RWD8L44	59.0	4	42	29	38	33.5	4.25	19.5	1 1/8	5/8	1 3/8	1	590
9	404A	RWD9L44	111.0	4	42	29	38	33.5	4.25	19.5	1 1/8	5/8	1 3/8	1	620
10	404A	RWD10L44	69.0	4	42	29	38	33.5	4.25	19.5	1 1/8	5/8	1 3/8	1	795
12	404A	RWD12L44	69.0	4	48	32	36	39.5	4.25	19.5	1 1/8	7/8	1 5/8	1 1/4	820
15	404A	RWD15L44	69.0	4	48	32	36	39.5	4.25	22.5	1 3/8	7/8	1 5/8	1 1/4	845
22	404A	RWD22L44	104.0	4	48	32	38	36.5	5.75	22.5	1 3/8	7/8	1 5/8	1 1/4	1030
27	404A	RWD27L44	104.0	4	60	32	44	44.5	5.5	22.5	1 3/8	1 1/8	2 1/8	2	1255
30	404A	RWD30L44	104.0	4	60	32	46	44.5	5.5	22.5	1 3/8	1 1/8	2 1/8	2	1310

NOTES:

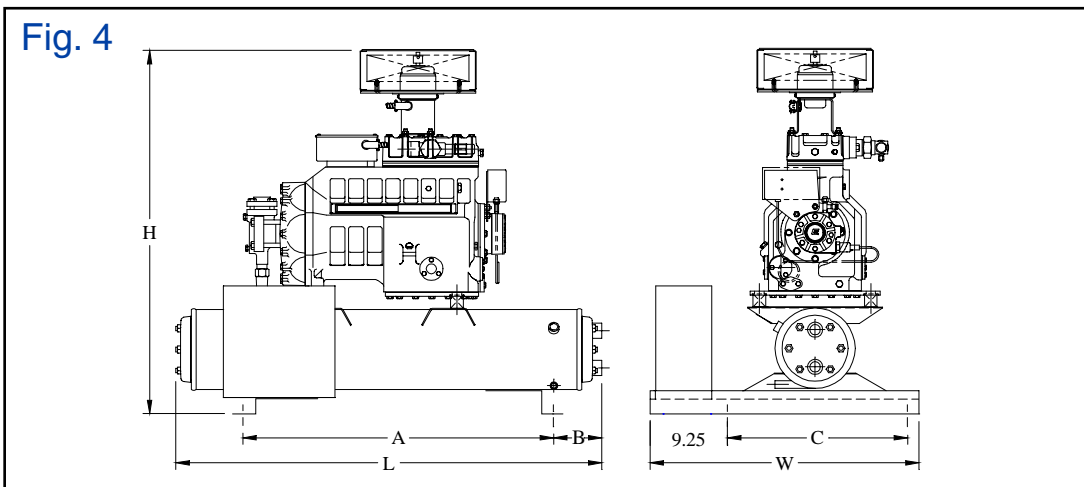
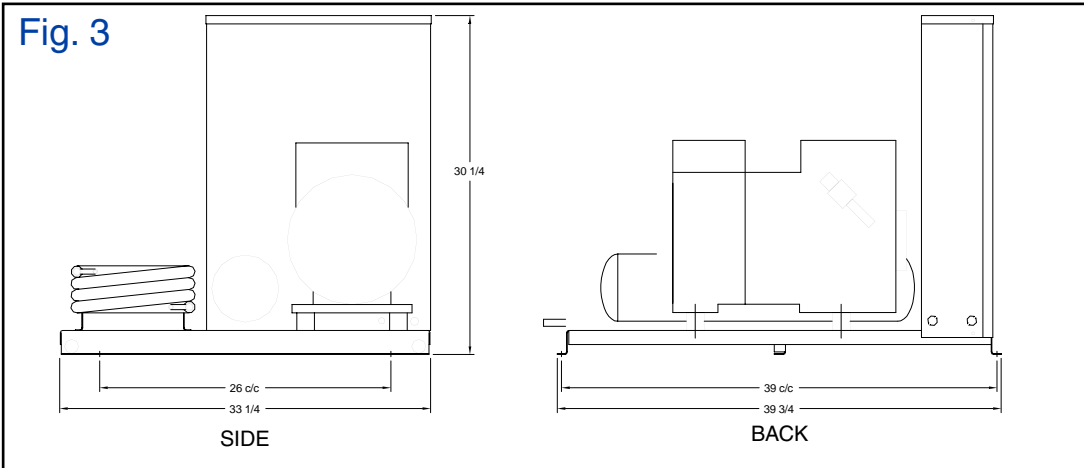
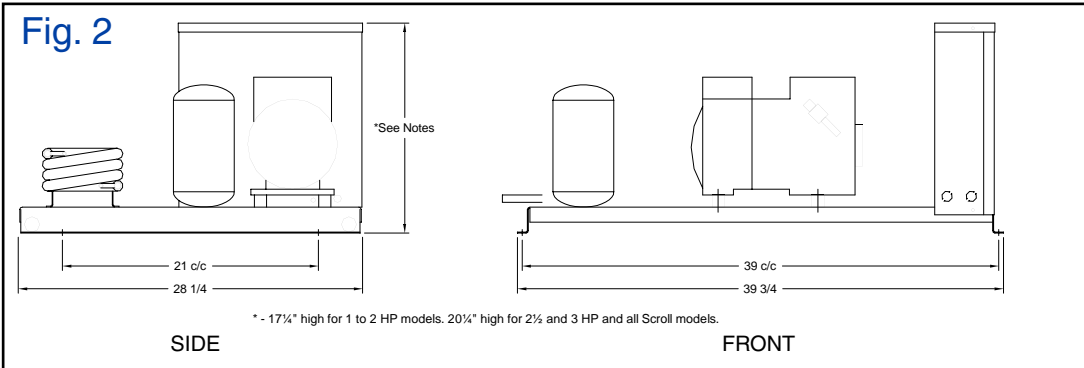
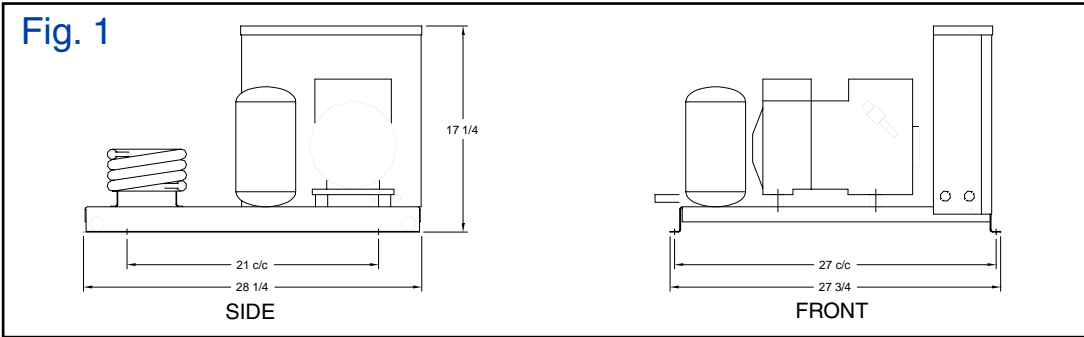
* Height is 32 inches with optional control panel.

** Connection size with or without factory installed liquid and/or suction line assembly.

Overall dimensions may change if optional oil separator and/or suction accumulator is installed.



DIMENSIONAL DATA



All dimensions are in inches. All mounting holes are 3/8".

