

DCM Series

DCM CoolMaster Evaporator

Air Defrost



DCM model unit coolers are designed for commercial and industrial walk-in coolers and industrial walk-in coolers and refrigerated warehouses. Time-tested for many years, these virtually maintenance-free unit coolers are built with Kramer reliability.

These units are suitable for maintaining room temperature of +35° and higher.

Features:



- Corrosion resistant casing, sturdy construction.
- Coils constructed of Copper tubes and Aluminum fins.
- Industrial evaporators with 8 FPI.
- Pitched drain pan for positive condensate drainage.
- Single phase motors have built-in overload protection.
- Dependable ratings based on laboratory tests.

Performance Data

8 FPI	MODEL	Capacity @ 10 T.D.			CFM	Air Throw (3)	Motors		Total Fan Motor Amps (4)	
		Evaporator Temperature - °F					No.	H.P.	230-3-60	460-3-60
		+40° (1)	+30° (2)	+25° (2)						
	DCM-560D	60900	56600	55975	8200	50	2	1/2	3.6	1.8
	DCM-770D	83900	77900	77075	8000	50	2	1/2	3.6	1.8
	DCM-1060D	115100	106900	15750	12400	100	2	3/4	7.0	3.5
	DCM-1330D	144800	134500	133050	14200	100	2	3/4	7.0	3.5
	DCM-1520D	165100	153400	151750	13800	100	2	3/4	7.0	3.5
	DCM-1680D	182700	169800	167950	19200	100	3	3/4	10.5	5.3
	DCM-1960D	213700	198600	196450	18500	100	3	3/4	10.5	5.3
	DCM-2240D	243500	226300	223850	23900	100	4	3/4	14.0	7.0
	DCM-2620D	284100	264700	261500	23100	100	4	3/4	14.0	7.0

1. Non-frosting conditions. 2. Frosting conditions. 3. Unrestricted airflow.
4. Single phase motors are available, contact factory.

DCM CoolMaster Evaporator

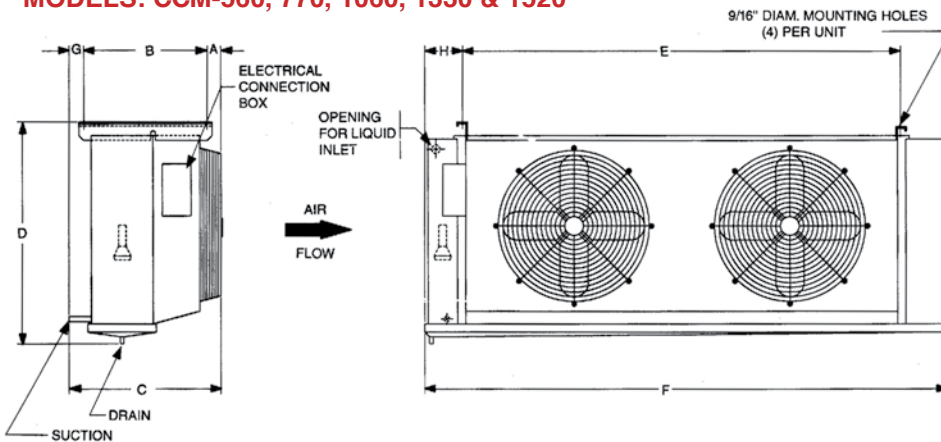
Dimensional Data

MODEL	Dimensions (in)								Refrig. Charge (lbs)	Approx. Ship Weight (lbs)
	A	B	C	D	E	F	G	H		
DCM-560D	3-1/4	26	31-3/4	42-1/2	58	75	2-1/2	7-1/2	8	535
DCM-770D	3-1/4	26	31-3/4	42-1/2	58	75	2-1/2	7-1/2	13	640
DCM-1060D	3-7/8	26	32-3/8	42-1/2	94	111	2-1/2	7-1/2	16	950
DCM-1330D	3-7/8	26	32-3/8	42-1/2	94	111	2-1/2	7-1/2	19	1055
DCM-1520D	5-3/4	28	36-1/8	42-1/2	94	111	2-3/8	7-1/2	25	1225
DCM-1680D	7-1/2	28-1/4	41-3/4	47-3/4	113-1/4	136	6	11-3/8	25	1580
DCM-1960D	7-1/2	28-1/4	41-3/4	47-3/4	113-1/4	136	6	11-3/8	33	1800
DCM-2240D	7-1/2	28-1/4	41-3/4	47-3/4	151-1/4	174	6	11-3/8	33	2650
DCM-2620D	7-1/2	28-1/4	41-3/4	47-3/4	151-1/4	174	6	11-3/8	43	2800

Connection Data

MODEL	Connections (in) (6)			
	Suction O.D.	Liquid O.D.	Ext. Equal O.D.	Drain MPT
DCM-560D	1-3/8	7/8	1/4	3/4
DCM-770D	1-5/8	1-1/8	1/4	3/4
DCM-1060D	1-5/8	1-1/8	1/4	3/4
DCM-1330D	2-1/8	1-1/8	1/4	3/4
DCM-1520D	2-1/8	1-1/8	1/4	3/4
DCM-1680D	2-1/8	1-3/8	1/4	1
DCM-1960D	2-1/8	1-3/8	1/4	1
DCM-2240D	2-1/8	1-3/8	1/4	1
DCM-2620D	(2) 2-1/8	(2) 1-1/8	(2) 1/4	1

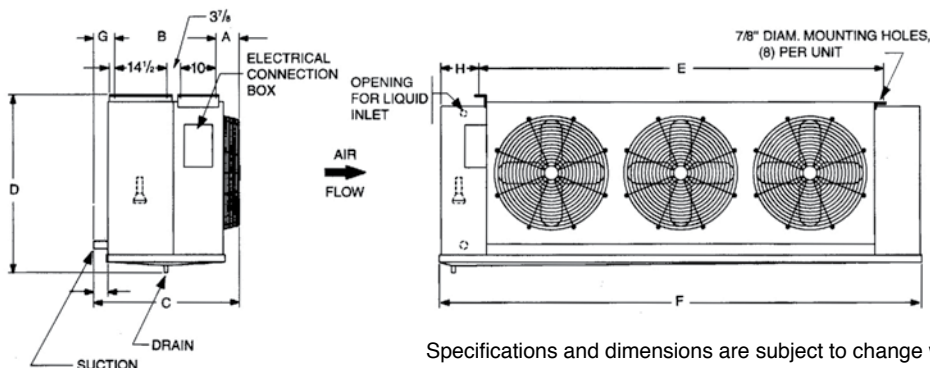
MODELS: CCM-560, 770, 1060, 1330 & 1520



6. Connection sizes are based on R-22, and may vary from catalog ratings when actual site operating conditions are provided at time of order.

NOTES:- LEFT HAND COIL IS SHOWN, AND IS STANDARD. RIGHT HAND COIL MUST BE SPECIFIED WHEN ORDERING.
- ALL DIMENSIONS ARE IN INCHES.

MODELS: DCM-1680, 1960, 2240 & 2620



NOTES:- LEFT HAND COIL IS SHOWN, AND IS STANDARD. RIGHT HAND COIL MUST BE SPECIFIED WHEN ORDERING.
- ALL DIMENSIONS ARE IN INCHES.
- MODEL DCM-2620 HAS 2 SUCTION AND 2 LIQUID CONNECTIONS.

Specifications and dimensions are subject to change without notice.

KM-DCM-0412A