

LIST PRICES

January 2019 - Rev. B

INDEX

AIR COOLED CONDENSERS

MultiCon Air Cooled Condenser - RDS, RDD	20
MultiCon Air Cooled Condenser - RAC, TD, VAC, VEQ, ACS, ACL	21
Multicon Computer Room Air Cooled Condenser - CAC	22

CONDENSING UNITS

Next-Gen MiniCon Air Cooled Condensing Units - RF*, RB*, RV*	22
MiniCon Air-Cooled Condensing Units - R*H, R*S, R*O, R*D	23
Next-Gen II Air Cooled Condensing Units - RF*, RB*	23
"D" Style Air-Cooled Condensing Units - DC, DE, DS, DL	24
Russette Air-Cooled Condensing Units - RC, RE, RS	24
Russcon Air-Cooled Condensing Units - H, L, M	24
"V" Style Air-Cooled Condensing Units - VC, VL, VS	24

FLUID COOLERS

MultiCon Air-Cooled Fluid Coolers - FVAC, FTD, FVAC	21-22
---	-------

MOTORS

Motor Cross-Reference Chart	31
-----------------------------	----

WALK-IN / WAREHOUSE EVAPORATORS

Next-Gen All-Temp - RLA, RLE, RLH, RLG	3-4
All-Temp Vintage C - AA*C, AE*C	4
All-Temp ² B - AA*B, AE*B, AG*B, AH*B (Built after 10/1991)	5
All-Temp ² B - AA*B, AE*B, AG*B, AH*B (Built after 04/2004)	6
All-Temp ² - AA, AE, AG, AH	6
All-Temp - AL	7
All-TempB - AL*B	7

WALK-IN / WAREHOUSE EVAPORATORS cont.

Ceiling-Temp - CTA, CTE	8
Flow Temp - RWF models	8
Flow-Temp - FL, FL*(E), FL*(G), FL*(H)	9
Inter-Temp - ITA, ITE, ITG, ITH	10-11
Ultra-Temp - U*U, U*L, U*M, UAH	12-13
EcoNet Enabled Unit Coolers Replacement Parts	14
Surveillant Demand Defrost Controller replacement Parts	14

REACH - IN EVAPORATORS

ASL, ASLE, ASLA	16
FLEX AIR - FT	15
Hi-Temp - HI	15
MINI TWIN AIR - MTW	17
MULLION AIR - MDF, MUF	17
SLIM AIR - SL, SLA, SLE	17-18
T-TEMP - TT	19
TWIN Temp - TW	19
WALL-TEMP - WA	20
WEDGE-TEMP - WE	20

SYSTEMS

High Sierra (Low Temp)	26-27
High Sierra (Med. Temp)	28-30
APEX - XN, XT	31

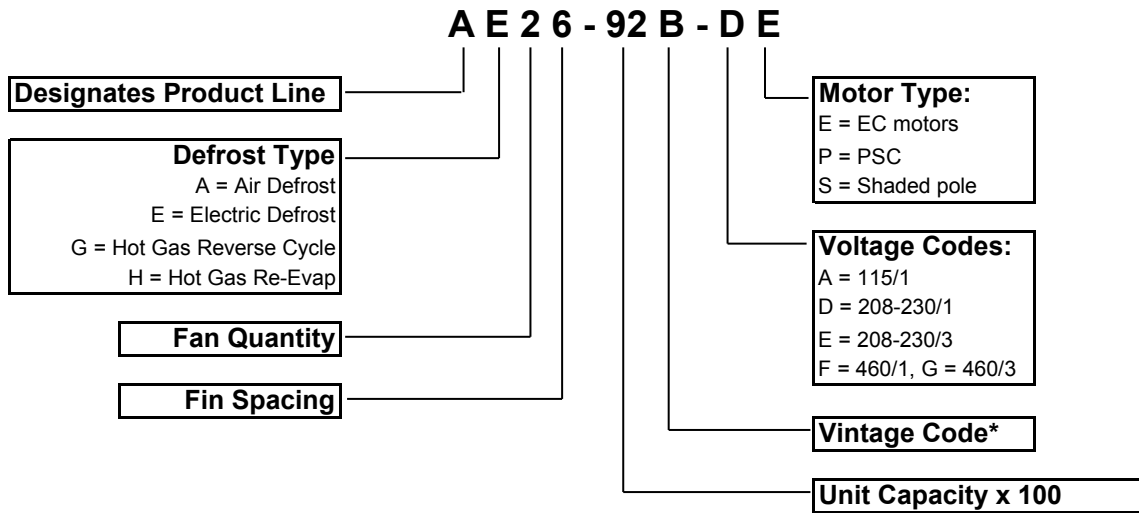
Due to ongoing product development, specification and prices are subject to change without notice.

ORDERING INFORMATION

1. All orders are subject to a \$30.00 net minimum billing.
2. All orders are subject to RUSSELL's Terms and Conditions of Sale.
3. All parts are shipped FOB point of shipping:
 - a.) Parts are typically shipped in cardboard cartons/unless size or weight will not permit.
 - b.) Any PARTS order that requires crating cannot be shipped by United Parcel Service.
 - c.) An example of parts that must be crated are metal components such as; venturi panels, drain pans, long defrost heaters.
 - d.) Defrost heaters are shipped straight whenever possible, all heaters are shipped with heater hooks.
 - e.) PSC motors are shipped less their capacitors, unless specifically ordered.
4. Warranty on all parts is 12 months from date of invoice.
5. When ordering replacement parts for a unit, if the exact part number is not available, it is very important that the complete model number, serial number, and voltage be provided. This information will help determine the exact vintage of the unit.

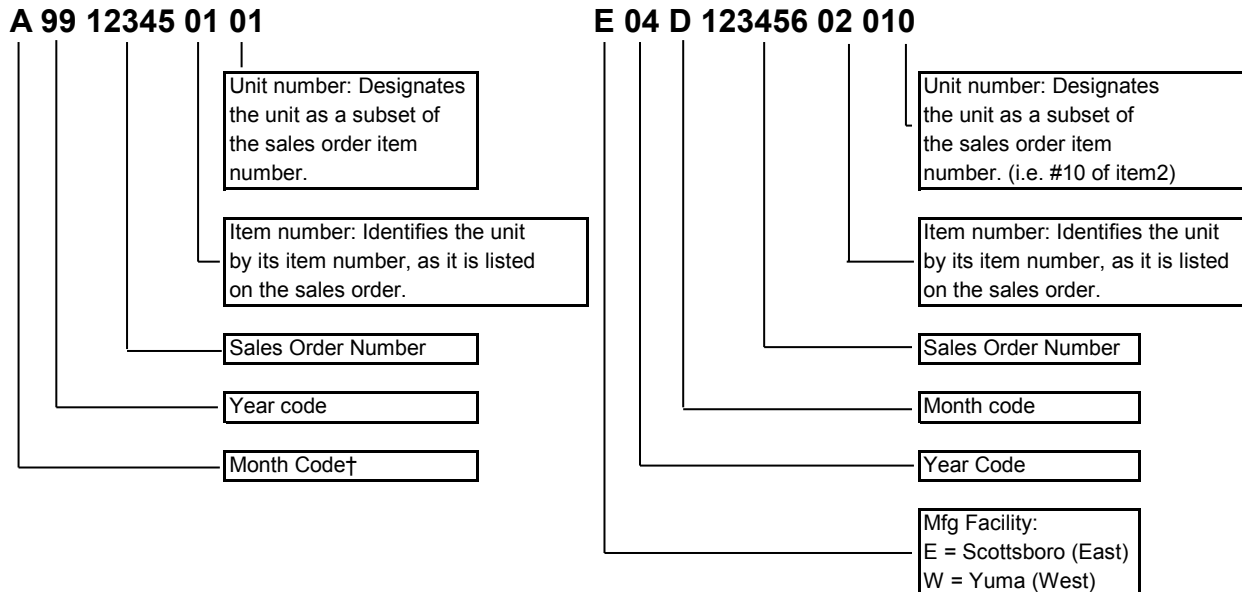
NOMENCLATURE

The following information can be derived by using the evaporator nomenclature; number of fans, fin spacing . The following example applies to Russell evaporators, with the exception of ASL and SL models which have their defrost designation in the suffix position.



* If an "X" is in the Vintage position, or at the beginning of the model number, the unit was built with a modification or special component that deviates from the standard description.

SERIAL NUMBERS



REPLACEMENT PARTS - LISTING BY PRODUCT MODEL NUMBER

NEXT-GEN ALL-TEMP - RLA, RLE, RLH, RLG

MODEL NUMBER	DESCRIPTION	PART NUMBER	LIST PRICE
ALL MODELS OR AS SPECIFIED IN DESCRIPTION	DRAIN PAN 1 FAN, AIR DEF	0852833601	\$394
	DRAIN PAN 2 FAN , AIR DEF	0852833701	\$442
	DRAIN PAN 3 FAN , AIR DEF	0852833801	\$489
	DRAIN PAN 4 FAN , AIR DEF	0852833901	\$681
	DRAIN PAN 5 FAN , AIR DEF	0852834001	\$747
	DRAIN PAN 6 FAN , AIR DEF	0852834101	\$804
	DRAIN PAN 1 FAN , ELECTRIC DEF	0852833602	\$394
	DRAIN PAN 2 FAN , ELECTRIC DEF	0852833702	\$442
	DRAIN PAN 3 FAN , ELECTRIC DEF	0852833802	\$489
	DRAIN PAN 4 FAN , ELECTRIC DEF	0852833902	\$681
	DRAIN PAN 5 FAN , ELECTRIC DEF	0852834002	\$747
	DRAIN PAN 6 FAN , ELECTRIC DEF	0852834102	\$804
	DRAIN FITTING AL	08248171	N/A
	DRAIN NUT	08321595	N/A
	DRAIN GASKET	08321596	N/A
	DRAIN CONNECTION KIT		\$63
	VENTURI 1 FAN	08528313	\$332
	VENTURI 2 FAN	08528314	\$356
	VENTURI 3 FAN	08528315	\$373
	VENTURI 4 FAN	08528316	\$394
	VENTURI 5 FAN	08528317	\$413
	VENTURI 6 FAN	08528318	\$431
	ENDCOVER DOOR	08528319	\$152
	DUAL SPEED / DUAL VOLTAGE MOTOR, EC MOTOR, 50 WATT, 1550 RPM, 115/230V, CCW ROTATION, (Air or Electric Defrost Models)	08216194	\$778
	DUAL SPEED MOTOR RELAY 120V	08218183	\$32
	DUAL SPEED MOTOR RELAY 240V	08218377	\$32
	1 speed MOTOR, ECM, 50 WATT, 1550 RPM, 115V, CCW (Hot Gas Defrost)	08216124	\$648
	1 speed MOTOR, ECM, 50 WATT, 1550 RPM, 230V/1, CCW (Hot Gas Defrost)	08216125	\$667
	2 speed MOTOR, ECM, 50 WATT, 1550 RPM, 115V, CCW (Hot Gas Defrost)	08216155	\$690
	2 speed MOTOR, ECM, 50 WATT, 1550 RPM, 230V/1, CCW (Hot Gas Defrost)	08216156	\$690
	MOTOR, PSC, 1/20 HP, 1550 RPM, 115V	08216074	\$291
	MOTOR, PSC, 1/20 HP, 1550 RPM, 230V/1	08216073	\$331
	MOTOR, PSC, 1/20 HP, 1550 RPM, 460V/1	08216135	\$432
MOTOR MOUNT, LEG, TALL (EC MOTORS)	08321627	\$82	
MOTOR MOUNT, LEG, SHORT (PSC MOTORS)	08321628	\$77	
FAN BLADE, 12" DIAM., 24° PITCH, CW (For use with EC Motors)	08221175	\$76	
FAN BLADE, 12" DIAM., 24° PITCH, CW (For use with PSC Motors)	08221153	\$80	
FAN GUARD, PLASTIC, HIGH THROW, BLACK, 12"	08321626	\$138	
DEFROST TERMINATION / FAN DELAY, SPST, O35/C55	08219328	\$137	

NEXT-GEN ALL-TEMP ELECTRIC DEFROST MODELS - RLE

RL6E035, RL6E042, RL6E049, RL4E027, RL4E032, RL4E038	COIL HEATER, 1F, 230V, 375 WATTS	08215200	\$72
	DRAIN PAN HEATER, 1F, 230V, 375 WATTS	08215206	\$72
	DRAIN PAN HEATER, 1F, 460V, 375 WATTS	08215212	\$67
RL6E066, RL6E077, RL6E090, RL6E105, RL4E051, RL4E064, RL4E080	COIL HEATER, 2F, 230V, 750 WATTS	08215201	\$86
	DRAIN PAN HEATER, 2F, 230V, 750 WATTS	08215207	\$83
	DRAIN PAN HEATER, 2F, 460V, 750 WATTS	08215213	\$97
RL6E121, RL4E094, RL6E142, RL4E110	COIL HEATER, 3F, 230V, 1100 WATTS	08215202	\$111
	DRAIN PAN HEATER, 3F, 230V, 1100 WATTS	08215208	\$115
	DRAIN PAN HEATER, 3F, 460V, 1100 WATTS	08215214	\$127
RL6E162, RL4E125, RL6E182, RL4E141	COIL HEATER, 4F, 230V 1475 WATTS	08215203	\$116
	DRAIN PAN HEATER, 4F, 230V, 1475 WATTS	08215209	\$117
	DRAIN PAN HEATER, 4F, 460V, 1475 WATTS	08215215	\$162
RL6E200, RL4E155	COIL HEATER, 5F, 230V 1850 WATTS	08215204	\$127
	DRAIN PAN HEATER, 5F, 230V, 1850 WATTS	08215210	\$120
	DRAIN PAN HEATER, 5F, 460V, 1850 WATTS	08215216	\$186
RL6E244, RL4E195, RL6E281, RL4E230	COIL HEATER, 6F, 230V 2225 WATTS	08215205	\$140
	DRAIN PAN HEATER, 6F, 230V, 2225 WATTS	08215211	\$130
	DRAIN PAN HEATER, 6F, 460V, 2225 WATTS	08215217	\$211

Note: The Heater voltage will line up with the voltage code in the model number. Each unit will get 3 heaters (2 on the face of the coil & 1 in the drain pan). 460V units include (2) 230V face heaters wired in series. The drain pan contains a single 460V heater.

NEXT-GEN ALL-TEMP HOT GAS DEFROST MODELS - RLG, RLH

MODEL NUMBER	DESCRIPTION	PART NUMBER	LIST PRICE
RL6G035, RL6G042, RLG049, RL4G027, RL4G032, RL4G038, RL6H035, RL6H042, RLH049, RL4H027, RL4H032, RL4H038	DRAIN PAN HEATER, 1F, 115V, 375 WATTS	08530726	\$76
	DRAIN PAN HEATER, 1F, 230V, 375 WATTS	08215206	\$72
	DRAIN PAN HEATER, 1F, 460V, 375 WATTS	08215212	\$67
RL6G066, RL6G077, RL6G090, RL6G105, RL4G051, RL4G064, RL4G080, RL6H066, RL6H077, RL6H090, RL6H105, RL4H051, RL4H064, RL4H080	DRAIN PAN HEATER, 2F, 115V, 750 WATTS	08530727	\$107
	DRAIN PAN HEATER, 2F, 230V, 750 WATTS	08215207	\$83
	DRAIN PAN HEATER, 2F, 460V, 750 WATTS	08215213	\$97
RL6G121, RL4G094, RL6G142, RL4G110, RL6H121, RL4H094, RL6H142, RL4H110	DRAIN PAN HEATER, 3F, 115V, 1100 WATTS	08530728	\$148
	DRAIN PAN HEATER, 3F, 230V, 1100 WATTS	08215208	\$115
	DRAIN PAN HEATER, 3F, 460V, 1100 WATTS	08215214	\$127
RL6G162, RL4G125, RL6G182, RL4G141, RL6H162, RL4H125, RL6H182, RL4H141	DRAIN PAN HEATER, 4F, 115V, 1475 WATTS	08530729	\$172
	DRAIN PAN HEATER, 4F, 230V, 1475 WATTS	08215209	\$117
	DRAIN PAN HEATER, 4F, 460V, 1475 WATTS	08215215	\$162
RL6G200, RL4G155, RL6H200, RL4H155	DRAIN PAN HEATER, 5F, 115V, 1850 WATTS	08530730	\$201
	DRAIN PAN HEATER, 5F, 230V, 1850 WATTS	08215210	\$120
	DRAIN PAN HEATER, 5F, 460V, 1850 WATTS	08215216	\$186
RL6G244, RL4G195, RL6G281, RL4G230, RL6H244, RL4H195, RL6H281, RL4H230	DRAIN PAN HEATER, 6F, 115V, 2225 WATTS	08530731	\$234
	DRAIN PAN HEATER, 6F, 230V, 2225 WATTS	08215211	\$130
	DRAIN PAN HEATER, 6F, 460V, 2225 WATTS	08215217	\$211

Note: The Heater voltage will line up with the voltage code in the model number. Each unit will get 3 heaters (2 on the face of the coil & 1 in the drain pan). 460V units include (2) 230V face heaters wired in series. The drain pan contains a single 460V heater.

ALL-TEMP VINTAGE C - AA, AE

ALL MODELS	DRAIN PAN 1 FAN	08527139	\$393
	DRAIN PAN 2 FAN S.	08527379	\$442
	DRAIN PAN 2 FAN L.	08527140	\$442
	DRAIN PAN 3 FAN	08527141	\$489
	DRAIN PAN 4 FAN	08527142	\$681
	DRAIN PAN 5 FAN	08527143	\$746
	DRAIN PAN 6 FAN	08527144	\$804
	VENTURI 1 FAN	08527369	\$332
	VENTURI 2 FAN S.	08527381	\$356
	VENTURI 2 FAN L.	08527370	\$356
	VENTURI 3 FAN	08527371	\$372
	VENTURI 4 FAN	08527372	\$393
	VENTURI 5 FAN	08527373	\$413
	VENTURI 6 FAN	08527374	\$430
	ENDCOVER DOOR, LONG	08527353	\$151
	ENDCOVER DOOR, SHORT	08527354	\$151
	MOTOR MOUNT, LEG, TALL	08527378	\$49
	MOTOR MOUNT, LEG, SHORT	08527375	\$75
	DRAIN FITTING AL	08248171	N/A
	DRAIN NUT	08321595	N/A
	DRAIN GASKET	08321596	N/A
	Drain connection Kit price		\$63
	FAN BLADE, 12" DIAM., 24° PITCH, CW (For use with EC Motors) (USE 08221153)	107943000	NLA
	FAN BLADE, 12" DIAM., 24° PITCH, CW (For use with EC Motors)	08221153	\$80
	FAN GUARD, PLASTIC, HIGH THROW, BLACK, 12"	205925001	\$138
	1 speed MOTOR, ECM, 50 WATT, 1550 RPM, 115 V, CCW	08216124	\$648
	1 speed MOTOR, ECM, 50 WATT, 1550 RPM, 230 V, CCW	08216125	\$667
	2 speed MOTOR, ECM, 50 WATT, 1550 RPM, 115 V, CCW	08216155	\$690
	2 speed MOTOR, ECM, 50 WATT, 1550 RPM, 230 V, CCW	08216156	\$690
	Defrost Termination / Fan Delay ,SPST,O35/C55	08219328	\$137

ALL-TEMP²B - MODELS AA-B, AE-B, AG-B, AH-B (BUILT AFTER OCTOBER 1, 1991)

MODEL NUMBER	DESCRIPTION	PART NUMBER	LIST PRICE
ALL "AE" MODELS	DEFROST CONTROL, DEFROST TERMINATION (USE 08219273)	103079010	NLA
ALL "AE" MODELS	DEFROST CONTROL, DEFROST TERMINATION, (TIMER RESET) 2 WIRE	08219273	\$137
ALL "AE" MODELS	DEFROST CONTROL, FAN DELAY, 2 WIRE	103079009	\$137
1 - 6 FAN AE MODELS	HEATER SAFETY SWITCH, 2 WIRE	103079003	\$125
AE14-37B, AE16-36B,	DEFROST HEATER, CORE, 500 WATTS, 26-1/4" LENGTH, 208-230/460 V.	206240006	\$384
AE16-41B, AE16-46B	DEFROST HEATER, DRAIN PAN, 500 WATTS, 21" LENGTH, 208-230/460 V.	200172042	\$296
AE24-72B, AE24-85B,	DEFROST HEATER, CORE, 1000 WATTS, 44-1/4" LENGTH, 208-230/460 V.	206240008	\$329
AE26-92B	DEFROST HEATER, DRAIN PAN, 1000 WATTS, 39" LENGTH, 208-230/460 V.	200172044	\$306
AE26-60B, AE26-75B	DEFROST HEATER, CORE, 800 WATTS, 40-1/4" LENGTH, 208-230/460 V.	206240007	\$306
	DEFROST HEATER, DRAIN PAN, 800 WATTS, 35" LENGTH, 208-230/460 V.	200172043	\$296
AE34-105B, AE36-120B,	DEFROST HEATER, CORE, 1500 WATTS, 62-1/4" LENGTH, 208-230/460 V.	206240009	\$383
AE36-140B	DEFROST HEATER, DRAIN PAN, 1500 WATTS, 57" LENGTH, 208-230/460 V.	200172045	\$364
AE44-140B, AE46-164B,	DEFROST HEATER, CORE, 2000 WATTS, 80-1/4" LENGTH, 208-230/460 V.	206240010	\$487
AE46-185B	DEFROST HEATER, DRAIN PAN, 2000 WATTS, 75" LENGTH, 208-230/460 V.	200172046	\$464
AE54-180B, AE56-210B	DEFROST HEATER, CORE, 2500 WATTS, 97-3/4" LENGTH, 208-230/460 V.	206240011	\$566
	DEFROST HEATER, DRAIN PAN, 2500 WATTS, 93" LENGTH, 208-230/460 V.	200172047	\$523
AE64-215B, AE66-245B,	DEFROST HEATER, CORE, 3000 WATTS, 115-3/4" LENGTH, 208-230/460 V.	206240012	\$599
AE66-280B	DEFROST HEATER, DRAIN PAN, 3000 WATTS, 111" LENGTH, 208-230/460 V.	200172048	\$587
1 FAN AA, & AE MODELS	DRAIN PAN, 27" LENGTH	20927501	\$394
AA28-76B, -97B, -122B,	DRAIN PAN, 41" LENGTH	20927502	\$442
AA26-70B, -87B, AE26-60B, 26-75B			
AA28-106B, -134B, AA26-115B	DRAIN PAN, 45" LENGTH	20927503	\$442
AE26-92B, AE24-72B, -85B			
3 FAN AA & AE MODELS	DRAIN PAN, 63" LENGTH	20927601	\$489
4 FAN AA & AE MODELS*	DRAIN PAN, 81" LENGTH	20927602	\$681
5 FAN AA & AE MODELS*	DRAIN PAN, 99" LENGTH	20927701	\$746
6 FAN AA & AE MODELS*	DRAIN PAN, 117" LENGTH	20927702	\$804
ALL-TEMP ² B MODELS (SP & PSC)	FAN BLADE, 12" DIAM., 24° PITCH, CW (For use with Shaded Pole & PSC motors)	107943000	NLA
1 - 3 FAN AE MODELS	FAN GUARD, PLASTIC, LOW THROW - NO LONGER AVAILABLE	NLA	-
ALL MODELS (OPTIONAL)	FAN GUARD, PLASTIC, HIGH THROW, BLACK, 12"	205925001	\$138
ALL MODELS (OPTIONAL)	FAN GUARD, WIRE, EPOXY COATED, BLUE, 12"	NLA	-
ALL MODELS	FAN GUARD, PLASTIC, BLACK, 12"	119647000	\$99
ALL MODELS	FAN GUARD, WIRE, EPOXY COATED, BLACK, 12" (Use 08397040)	NLA	-
ALL-TEMP MODELS (SP & PSC)	MOTOR MOUNT (For use with Shaded Pole & PSC motors)	21062000	\$137
	MOTOR, SHADED POLE, 1/20 HP, 1550 RPM, 115 V. (USE 08216072)	102540003	NLA
ALL-TEMP ² B MODELS	MOTOR, SHADED POLE, 1/20 HP, 1550 RPM, 115 V.	08216072	\$212
	MOTOR, SHADED POLE, 1/20 HP, 1550 RPM, 208-230 V. (USE 08216071)	102540004	\$212
	MOTOR, SHADED POLE, 1/20 HP, 1550 RPM, 208-230 V.	08216071	\$212
	MOTOR, SHADED POLE, 1/20 HP, 1550 RPM, 460 V.	102540005	\$315
ALL-TEMP ² B MODELS	MOTOR, PSC, 1/20 HP, 1550 RPM, 115 V., (USE 08216074)	08519019	\$207
	MOTOR, PSC, 1/20 HP, 1550 RPM, 115 V., (3 MFD CAPACITOR NOT INCLUDED)	124027000	\$328
	MOTOR, PSC, 1/20 HP, 1550 RPM, 230 V., (USE 08216073)	8519022	\$207
	MOTOR, PSC, 1/20 HP, 1550 RPM, 230 V., (CAPACITOR IS PRE-MOUNTED)	123334000	\$179
	CAPACITOR, 3 MFD, FOR 1/20 115 V. PSC MOTOR	202163010	\$46
	CAPACITOR, 2 MFD, FOR 1/20 230 V. PSC MOTOR	202163009	\$51
ALL-TEMP ² B MODELS (EC Motor)	FAN BLADE, 12" DIAM., 24° PITCH, CW (For use with EC Motors)	08221175	\$76
ALL-TEMP ² B MODELS (EC Motor)	MOTOR MOUNT LEG (For use with EC Motors) (3 required for complete mount)	08522938	\$43
EC MOTORS FOR	MOTOR, ECM, 50 WATT, 1550 RPM, 115 V, CCW	08216124	\$648
ALL-TEMP ² B MODELS	MOTOR, ECM, 50 WATT, 1550 RPM, 230 V, CCW	08216125	\$667
ECM RETRO-FIT KIT FOR	115 V MOTOR, KIT INCLUDES MOTOR, HARDWARE, MOUNT, & BLADE	08523048	NLA
ALL-TEMP ² B MODELS	230 V MOTOR, KIT INCLUDES MOTOR, HARDWARE, MOUNT, & BLADE	08523049	NLA

* ALL 4 - 6 FAN MODEL DRAIN PANS MUST VIA COMMON CARRIER ONLY, NO UPS.

NLA - NO LONGER AVAILABLE

SURVEILLANT DEMAND DEFROST CONTROLLER REPLACEMENT PARTS

Demand Defrost Control Parts	Surveillant Evaporator Control	08219537	\$2,623
	Electronic Expansion Valve - less cable	08219539	\$508
	EEV power cable for AA/AE evaporator	08219516	\$260
	EEV Power Cable for CTA/CTE evaporators	08219517	\$258
	Return Air Temperature Sensor for AA/AE	08219522	\$150
	Return Air Temperature Sensor for CTA/CTE	08219523	\$150
	Air sensor mounting wire	08219978	\$10
	Coil Temperature sensor for AA/AE	08219524	\$150
	Coil Temperature sensor for CTA/CTE	08219525	\$150
	Coil Temperature sensor for CTA/CTE (AUX)	08219526	\$150
	Suction Temperature sensor for AA/AE	08219520	\$150
	Suction Temperature sensor for CTA/CTE	08219521	\$150
	Transducer only - No cable	08219981	\$400
	Transducer Cable for AA/AE evaporators	08219518	\$209
	Transducer Cable for CTA/CTE	08219519	\$209
	Strain relief wire	08219528	\$4
	Smartgate Router	08219541	\$3,111

ALL-TEMP²B - MODELS AA-B, AE-B, AG-B, AH-B (BUILT AFTER APRIL, 2004)
HINGED END PANEL UNITS (REPLACEMENT HOUSING)

MODEL NUMBER	DESCRIPTION	PART NUMBER	LIST PRICE
1 FAN AA, & AE MODELS	VENTURI, 20" LENGTH	08519104	\$332
AA28-76B, -97B, -122B, AA26-70B, -87B, AE26-60B, AE26-75B	VENTURI, 34" LENGTH	08519241	\$356
AA28-106B, -134B, AA26-115B AE26-92B, AE24-85B	VENTURI, 38" LENGTH	08519242	\$356
3 FAN AA & AE MODELS	VENTURI, 56" LENGTH	08519243	\$373
4 FAN AA & AE MODELS	VENTURI, 74" LENGTH	08519244	\$394
5 FAN AA & AE MODELS	VENTURI, 92" LENGTH	08519245	\$413
6 FAN AA & AE MODELS	VENTURI, 110" LENGTH	08519246	\$431
SHORT (ELECTRICAL END)	HINGED END PANEL	08518612	\$152
LONG (HEADER END)	HINGED END PANEL	08518613	\$152

FOLLOWING HOT GAS DRAIN PANS ARE FOR UNITS PRODUCED AFTER AUGUST 3, 1992.
FOR EARLIER VINTAGE USE THE ABOVE LISTED AA/AE DRAIN PANS.

MODEL NUMBER	DESCRIPTION	PART NUMBER	LIST PRICE
1 FAN AG, & AH MODELS	DRAIN PAN, 27" LENGTH - AFTER 8/3/92, ELSE USE EQUIV. AA/AE DRAIN PAN	20935800	\$394
AG26-60B, AH26-60B, AG26-75B, AH26-75B	DRAIN PAN, 41" LENGTH - AFTER 8/3/92, ELSE USE EQUIV. AA/AE DRAIN PAN	20935900	\$442
AG26-92B, AH26-92B	DRAIN PAN, 45" LENGTH - AFTER 8/3/92, ELSE USE EQUIV. AA/AE DRAIN PAN	20936000	\$442
3 FAN AG, & AH MODELS	DRAIN PAN, 63" LENGTH - AFTER 8/3/92, ELSE USE EQUIV. AA/AE DRAIN PAN	20936100	\$489
4 FAN AG, & AH MODELS*	DRAIN PAN, 81" LENGTH - AFTER 8/3/92, ELSE USE EQUIV. AA/AE DRAIN PAN	20936200	\$681
5 FAN AG, & AH MODELS*	DRAIN PAN, 99" LENGTH - AFTER 8/3/92, ELSE USE EQUIV. AA/AE DRAIN PAN	20936300	\$746
6 FAN AG, & AH MODELS*	DRAIN PAN, 117" LENGTH - AFTER 8/3/92, ELSE USE EQUIV. AA/AE DRAIN PAN	20936400	\$804

* ALL 4 - 6 FAN MODEL DRAIN PANS SHIP VIA COMMON CARRIER ONLY, NO UPS.

ALL-TEMP² - MODELS AA, AE, AG, AH (BUILT BEFORE OCTOBER 1, 1991)

1 - 3 FAN AE MODELS	DEFROST CONTROL, NON-ADJUSTABLE, 3 WIRE	103079005	\$137
4 - 6 FAN AE MODELS	DEFROST CONTROL, ADJUSTABLE, RANCO F-25	204464037	\$364
1 - 6 FAN AE MODELS	HEATER SAFETY SWITCH, 2 WIRE	103079003	\$125
AE16-36	DEFROST HEATER, CORE, 1000 WATTS, 26" LENGTH, 208-230 V.	NLA	-
AE16-36	DEFROST HEATER, CORE, 1000 WATTS, 26" LENGTH, 460 V.	NLA	-
AE16-46, AE16-41, AE14-37	DEFROST HEATER, CORE, 500 WATTS, 26-1/4" LENGTH, 208-230/460 V.	206240006	\$384
	DEFROST HEATER, DRAIN PAN, 500 WATTS, 21" LENGTH, 208-230/460 V.	200172042	\$296
AE26-60	DEFROST HEATER, CORE, 2000 WATTS, 40-1/4" LENGTH, 208-230/460 V.	NLA	-
	DEFROST HEATER, DRAIN PAN, 800 WATTS, 35" LENGTH, 208-230/460 V.	200172043	\$296
AE26-75	DEFROST HEATER, CORE, 800 WATTS, 40-1/4" LENGTH, 208-230/460 V.	206240007	\$306
	DEFROST HEATER, DRAIN PAN, 800 WATTS, 35" LENGTH, 208-230/460 V.	200172043	\$296
AE26-92, AE24-85, AE24-72	DEFROST HEATER, CORE, 1000 WATTS, 44-1/4" LENGTH, 208-230/460 V.	206240008	\$329
	DEFROST HEATER, DRAIN PAN, 1000 WATTS, 39" LENGTH, 208-230/460 V.	200172044	\$306
AE36-140, AE36-120, AE34-105	DEFROST HEATER, CORE, 1500 WATTS, 62-1/4" LENGTH, 208-230/460 V.	206240009	\$383
	DEFROST HEATER, DRAIN PAN, 1500 WATTS, 57" LENGTH, 208-230/460 V.	200172045	\$364
AE46-164, AE46-185, AE44-140	DEFROST HEATER, CORE, 2000 WATTS, 80-1/4" LENGTH, 208-230/460 V.	206240010	\$487
	DEFROST HEATER, DRAIN PAN, 2000 WATTS, 75" LENGTH, 208-230/460 V.	200172046	\$464
AE56-210, AE54-180	DEFROST HEATER, CORE, 2500 WATTS, 97-3/4" LENGTH, 208-230/460 V.	206240011	\$566
	DEFROST HEATER, DRAIN PAN, 2500 WATTS, 93" LENGTH, 208-230/460 V.	200172047	\$523
AE66-280, AE66-245, AE64-215	DEFROST HEATER, CORE, 3000 WATTS, 115-3/4" LENGTH, 208-230/460 V.	206240012	\$599
	DEFROST HEATER, DRAIN PAN, 3000 WATTS, 111" LENGTH, 208-230/460 V.	200172048	\$587
ALL ALL-TEMP ² MODELS	FAN BLADE, 12" DIAM., 24° PITCH, CW (USE 08221153)	107943000	NLA
ALL ALL-TEMP ² MODELS	FAN BLADE, 12" DIAM., 24° PITCH, CW	08221153	\$80
1 - 3 FAN AE MODELS	FAN GUARD, PLASTIC, LOW THROW - NO LONGER AVAILABLE, SUBSTITUTE WIRE, EPOXY COATED, 12" FAN GUARD	201006011	\$99
4 - 6 FAN AE MODELS	FAN GUARD, PLASTIC, HIGH THROW, BLACK, 12"	205925001	\$138
ALL MODELS	FAN GUARD, WIRE, EPOXY COATED, 12"	NLA	-
ALL MODELS	MOTOR MOUNT	21062000	\$137
ALL MODELS (OPTIONAL)	MOTOR, PSC, 1/20 HP, 1550 RPM, 115 V., (USE 08216074)	108178001	\$291
	MOTOR, PSC, 1/20 HP, 1550 RPM, 115 V., (3 MFD CAPACITOR NOT INCLUDED)	08216074	\$291
	MOTOR, PSC, 1/20 HP, 1550 RPM, 230 V., (USE 08216073)	108178002	\$331
	MOTOR, PSC, 1/20 HP, 1550 RPM, 230 V., (CAPACITOR IS PRE-MOUNTED)	08216073	\$331
	CAPACITOR, 3 MFD, FOR 1/20 115 V. PSC MOTOR	202163010	\$46
	CAPACITOR, 2 MFD, FOR 1/20 230 V. PSC MOTOR	202163009	\$51
ALL MODELS	MOTOR, SHADED POLE, 1/20 HP, 1550 RPM, 115 V. (USE 08216072)	102540003	NLA
	MOTOR, SHADED POLE, 1/20 HP, 1550 RPM, 115 V.	08216072	\$212
	MOTOR, SHADED POLE, 1/20 HP, 1550 RPM, 208-230 V. (USE 08216071)	102540004	\$212
	MOTOR, SHADED POLE, 1/20 HP, 1550 RPM, 208-230 V.	08216071	\$212
	MOTOR, SHADED POLE, 1/20 HP, 1550 RPM, 460 V.	102540005	\$315

* ALL 4 - 6 FAN MODEL DRAIN PANS MUST VIA COMMON CARRIER ONLY, NO UPS.

NLA - NO LONGER AVAILABLE

† NOT STOCKED - MANUFACTURED PART.

ALL- TEMP - MODELS AL (BUILT BEFORE JUNE 1990)

MODEL NUMBER	DESCRIPTION	PART NUMBER	LIST PRICE
AL14-34, AL15-41, AL16-46	DEFROST HEATERS, CORE, 780 WATTS, 20" LENGTH, 208-230 V. (2 REQ'D)	200172021	\$232
	DRAIN PAN (13-1/4" width)	NLA	-
AL24-40, AL25-50, AL26-46	DEFROST HEATER, CORE, 1550 WATTS, 38" LENGTH, 208-230 V.	200172024	\$306
	DEFROST HEATER, CORE, 1550 WATTS, 38" LENGTH, 460 V.	NLA	-
	DRAIN PAN (13-1/4" width)	NLA	-
AL24-53, AL24-68, AL25-64 AL25-82, AL26-72, AL26-56, AL26-92, XAL28-104E	DEFROST HEATERS, CORE, 1550 WATTS, 38" LENGTH, 208-230 V. (2 REQ'D)	200172024	\$306
	DEFROST HEATERS, CORE, 1550 WATTS, 38" LENGTH, 460 V. (2 REQ'D)	NLA	-
	DRAIN PAN (13-1/4" width)	NLA	-
AL34-80, AL34-102, AL34-111 AL35-96, AL35-123, AL36-110, AL36-139	DEFROST HEATERS, CORE, 2200 WATTS, 56" LENGTH, 208-230 V. (2 REQ'D)	200172027	\$364
	DEFROST HEATERS, CORE, 2200 WATTS, 56" LENGTH, 460 V. (2 REQ'D)	NLA	-
	DRAIN PAN (13-1/4" width)	NLA	-
AL44-136, AL45-164, AL46-185	DEFROST HEATERS, CORE, 1220 WATTS, 30" LENGTH, 208-230 V. (2 REQ'D)	200172023	\$343
	DEFROST HEATERS, CORE, 1760 WATTS, 42" LENGTH, 208-230 V. (2 REQ'D)	200172025	\$634
	DEFROST HEATERS, CORE, 1220 WATTS, 30" LENGTH, 460 V. (2 REQ'D)	NLA	-
	DEFROST HEATERS, CORE, 1760 WATTS, 42" LENGTH, 460 V. (2 REQ'D)	NLA	-
	DRAIN PAN* (13-1/4" width)	NLA	-
AL54-170, AL55-205, AL56-230	DEFROST HEATERS, CORE, 1760 WATTS, 42" LENGTH, 208-230 V. (2 REQ'D)	200172025	\$634
	DEFROST HEATERS, CORE, 1970 WATTS, 48" LENGTH, 208-230 V. (2 REQ'D)	200172026	\$329
	DEFROST HEATERS, CORE, 1760 WATTS, 42" LENGTH, 460 V. (2 REQ'D)	NLA	-
	DEFROST HEATERS, CORE, 1970 WATTS, 48" LENGTH, 460 V. (2 REQ'D)	NLA	-
AL64-204, AL65-246, AL66-276	DRAIN PAN* (13-1/4" width)	NLA	-
	DEFROST HEATERS, CORE, 1970 WATTS, 48" LENGTH, 208-230 V. (2 REQ'D)	200172026	\$329
	DEFROST HEATERS, CORE, 2480 WATTS, 60" LENGTH, 208-230 V. (2 REQ'D)	200172028	\$364
	DEFROST HEATERS, CORE, 1970 WATTS, 48" LENGTH, 460 V. (2 REQ'D)	NLA	-
	DEFROST HEATERS, CORE, 2480 WATTS, 60" LENGTH, 460 V. (2 REQ'D)	200172018	\$531
ALL MODELS	DEFROST CONTROL, NON-ADJUSTABLE, 3 WIRE	103079002	\$137
ALL MODELS	FAN BLADE, 10" DIAM., 31° PITCH, CW, HUBLESS	204395017	\$48
ALL MODELS	FAN GUARD, PLASTIC, HI-THROW 10" ROUND	NLA	-
ALL MODELS	FAN GUARD, WIRE, EPOXY COATED, BLACK, 10"	08397002	\$99
ALL MODELS	FAN GUARD, WIRE, EPOXY COATED, WHITE, 10"	08397053	\$99
ALL MODELS	MOTOR MOUNT	10243000	\$99
ALL MODELS	MOTOR, SHADED POLE, 16 WATT, 1550 RPM, 115 V. CCW	103104007	\$195
	MOTOR, SHADED POLE, 16 WATT, 1550 RPM, 230 V. CCW	103104008	\$195

* ALL 4 - 6 FAN MODEL DRAIN PANS SHIP VIA COMMON CARRIER ONLY, NO UPS.

NLA - NO LONGER AVAILABLE

ALL-TEMP - MODELS AL-B (BUILT AFTER JUNE 1990)

MODEL NUMBER	DESCRIPTION	PART NUMBER	LIST PRICE
AL14-34B, AL15-41B, AL16-46B	DEFROST HEATER, CORE, 500 WATTS, 24" LENGTH, 208-230/460 V.	206240006	\$384
	DEFROST HEATERS, DRAIN PAN, 500 WATTS, 20" LENGTH, 208-230/460 V.	200172042	\$296
	DRAIN PAN (9-1/4" WIDTH)	NLA	-
AL24-40B, AL24-53B, AL25-50B, AL25-64B, AL26-56B, AL26-72B	DEFROST HEATER, CORE, 2000 WATTS, 43" LENGTH, 208-230 V.	NLA	-
	DEFROST HEATER, CORE, 2000 WATTS, 43" LENGTH, 460 V.	NLA	-
	DRAIN PAN (9-1/4" WIDTH)	NLA	-
AL24-68B, AL25-82B, AL26-92B	DEFROST HEATER, CORE, 1000 WATTS, 44-1/4" LENGTH, 208-230/460 V.	206240008	\$329
	DEFROST HEATERS, DRAIN PAN, 1000 WATTS, 38" LENGTH, 208-230/460 V.	200172044	\$306
	DRAIN PAN (9-1/4" WIDTH)	NLA	-
AL34-80B, AL34-102B, AL34-111B, AL35-96B, AL35-123B, AL36-110B, AL36-139B	DEFROST HEATER, CORE, 1500 WATTS, 62" LENGTH, 208-230/460 V.	206240009	\$383
	DEFROST HEATERS, DRAIN PAN, 1500 WATTS, 56" LENGTH, 208-230/460 V.	200172045	\$364
	DRAIN PAN (9-1/4" WIDTH)	NLA	-
AL44-136B, AL45-164B, AL46-185B	DEFROST HEATER, CORE, 2000 WATTS, 80-1/4" LENGTH, 208-230/460 V.	206240010	\$487
	DEFROST HEATERS, DRAIN PAN, 2000 WATTS, 74" LENGTH, 208-230/460 V.	200172046	\$464
	DRAIN PAN* (9-1/4" WIDTH)	NLA	-
AL54-170B, AL55-205B, AL56-230B	DEFROST HEATER, CORE, 2500 WATTS, 96" LENGTH, 208-230/460 V.	206240011	\$566
	DEFROST HEATERS, DRAIN PAN, 2500 WATTS, 92" LENGTH, 208-230/460 V.	200172047	\$523
	DRAIN PAN* (9-1/4" WIDTH)	NLA	-
AL64-204B, AL65-246B, AL66-276B	DEFROST HEATER, CORE, 3000 WATTS, 115-3/4" LENGTH, 208-230/460 V.	206240012	\$599
	DEFROST HEATERS, DRAIN PAN, 3000 WATTS, 100" LENGTH, 208-230/460 V.	200172048	\$587
	DRAIN PAN* (9-1/4" WIDTH)	NLA	-
ALL MODELS	DEFROST CONTROL, NON-ADJUSTABLE, 3 WIRE	103079002	\$137
ALL MODELS	FAN BLADE, 10" DIAM., 31° PITCH, CW, HUBLESS	NLA	-
ALL MODELS	FAN GUARD, WIRE, EPOXY COATED, BLACK, 10"	08397002	\$99
ALL MODELS	FAN GUARD, WIRE, EPOXY COATED, WHITE, 10"	08397053	\$99
ALL MODELS	FAN GUARD, PLASTIC, HI-THROW 10" ROUND	NLA	-
ALL MODELS	MOTOR MOUNT	10243000	\$99
ALL MODELS	MOTOR, SHADED POLE, 16 WATT, 1550 RPM, 115 V. CCW	103104007	\$195
	MOTOR, SHADED POLE, 16 WATT, 1550 RPM, 230 V. CCW	103104008	\$195

* ALL 4 - 6 FAN MODEL DRAIN PANS SHIP VIA COMMON CARRIER ONLY, NO UPS.

NLA - NO LONGER AVAILABLE

CEILING TEMP - MODELS CTA, CTE

MODEL NUMBER	DESCRIPTION	PART NUMBER	LIST PRICE
ALL MODELS	DEFROST CONTROL, DEFROST TERMINATION, (TIMER RESET) 2 WIRE (USE 0821	103079010	NLA
ALL MODELS	DEFROST CONTROL, DEFROST TERMINATION, (TIMER RESET) 2 WIRE	08219273	\$137
ALL MODELS	DEFROST CONTROL, FAN DELAY, 2 WIRE	103079009	\$137
CTE34-48, CTE34-58, CTE34-65, CTE36-53, CTE36-62, CTE36-69	DEFROST HEATERS, CORE, 1037 WATTS, 55" LENGTH, 208-230/460 V. (2 REQ'D)	208579001	\$381
CTE44-72, CTE44-84, CTE44-95, CTE46-77, CTE46-90, CTE46-100	DEFROST HEATERS, 1490 WATTS, 79" LENGTH, 208-230/460 V. (2 REQ'D)	208579002	\$519
CTE54-115, CTE44-128, CTE44-152, CTE54-145, CTE64-173, CTE56-125, CTE46-140, CTE56-160, CTE66-218	DEFROST HEATERS, 1943 WATTS, 103 LENGTH, 208-230/460 V. (2 REQ'D)	208579003	\$571

SPECIFY DRAIN CONNECTION LOCATION WHEN ORDERING CTA/CTE DRAIN PANS, BOTTOM OR SIDE.*

ALL 3 FAN CTA/CTE MODELS	DRAIN PAN, 58-1/2 LENGTH, SPECIFY DRAIN CONNECTION LOCATION	20860901	\$545
ALL 4 FAN CTA/CTE MODELS EXCEPT AS FOLLOWS	DRAIN PAN, 82-1/2 LENGTH, SPECIFY DRAIN CONNECTION LOCATION	20861001	\$693
CTA46-190, CTA48-210, CTE44-128, CTE46-140	DRAIN PAN, 106-1/2 LENGTH, SPECIFY DRAIN CONNECTION LOCATION	20861101	\$798
ALL 5 FAN CTA/CTE MODELS	DRAIN PAN, 106-1/2 LENGTH, SPECIFY DRAIN CONNECTION LOCATION	20861201	\$798
ALL 6 FAN CTA/CTE MODELS	DRAIN PAN, 106-1/2 LENGTH, SPECIFY DRAIN CONNECTION LOCATION	20861301	\$829
ALL MODELS	FAN BLADE, 10" DIAM., 31° PITCH, CCW, HUBLESS	204395018	\$53
ALL MODELS	FAN GUARD, PLASTIC, 12" (BLACK)	119647000	\$99
ALL MODELS (OPTIONAL)	FAN GUARD, WIRE, EPOXY COATED, 12", (BLACK) [OPTIONAL]	201006011	\$99
ALL MODELS	HEATER SAFETY SWITCH, 2 WIRE	103079003	\$125
ALL MODELS (OPTIONAL)	MOTOR, SHADED POLE , 16 WATT, 1550 RPM, 115 V.	103104007	\$195
Shaded Pole Motors	MOTOR, SHADED POLE , 16 WATT, 1550 RPM, 230 V.	103104008	\$195
ALL MODELS (OPTIONAL)	MOTOR, PSC , 16 WATT, 1550 RPM, 115 V.	107933001	\$397
Permanent Split Capacitor Motors	CAPACITOR, 5 MFD, FOR 16 WATT 115 V. PSC MOTOR	202163004	\$47
	MOTOR, PSC , 16 WATT, 1550 RPM, 230 V. (USE 107933003)	107933002	NLA
	CAPACITOR, 1.2 MFD, FOR 16 WATT 230 V. PSC MOTOR (Not required for 107933003)	202163015	\$51
ALL MODELS	MOTOR, ECM, 16 WATT, 1550 RPM, 115V	107933006	\$690
EC MOTORS	MOTOR, ECM, 16 WATT, 1550 RPM, 230V	107933003	\$716
ALL MODELS	MOTOR, MOUNT	10243000	\$99

* ALL CEILING-TEMP DRAIN PANS SHIP VIA COMMON CARRIER ONLY, NO UPS.

FLOW TEMP — MODELS RWF

RWF050, 100, 130, 160, 190, 220, 270, 340	115/230 VOLT - FAN BLADE, 10 IN. DIA., 31° PITCH, CCW, HUBLESS	204395018	\$53
RWF - 075	115/230 VOLT - FAN BLADE, 10 IN. DIA., 20° PITCH, CCW, HUBLESS	204395016	\$53
RWF-050, 100, 130, 160, 190, 220, 270, 340	460V - FAN BLADE, 10 IN. DIA., 28° PITCH, CCW	08221007	\$53
RWF - 075	460V - FAN BLADE, 10 IN. DIA., 13° PITCH, CCW	08221005	\$53
All Models	FAN GUARD, 12 IN. BLACK PLASTIC	119647000	\$99
	MOTOR MOUNT (Except for 460V PSC motor, See Below)	10243000	\$99
All Models - EC MOTORS	MOTOR, EC, 16W, 1550 RPM, 115V	107933006	\$690
	MOTOR, EC, 16W, 1550 RPM, 230V	107933003	\$716
	MOTOR MOUNT	10243000	\$99
All Models - PSC MOTORS (Optional)	MOTOR, PSC, 16 WATT, 1550 RPM, 115 V.	107933001	\$397
	CAPACITOR, 5 MFD, FOR 16 WATT 115 V. PSC MOTOR	202163004	\$47
	MOTOR, PSC, 16W, 1550 RPM, 460V	08216135	\$432
	MOTOR MOUNT, 460V PSC	0825489400	\$99
All Models - SHADED POLE MOTORS (Optional)	MOTOR, SHADED POLE, 16 WATT, 1550 RPM, 115 V.	103104007	\$195
	MOTOR, SHADED POLE, 16 WATT, 1550 RPM, 230 V.	103104008	\$195
RWF - 050	DRAIN PAN/VENTURI PANEL	0852507601	\$459
RWF - 075, 100	DRAIN PAN/VENTURI PANEL, 2 FAN	0852507701	\$628
RWF - 130, 160	DRAIN PAN/VENTURI PANEL, 3 FAN	0852507801	\$696
RWF - 190, 220	DRAIN PAN/VENTURI PANEL, 4 FAN	0852507901	\$798
RWF - 270	DRAIN PAN/VENTURI PANEL, 5 FAN	0852508001	\$907
RWF - 340	DRAIN PAN/VENTURI PANEL, 6 FAN	0852508101	\$987
RWF - 050 (Optional)	DRAIN PAN/VENTURI PANEL, 1 FAN, WHITE PAINTED	0852507607	\$685
RWF - 075, 100 (Optional)	DRAIN PAN/VENTURI PANEL, 2 FAN, WHITE PAINTED	0852507707	\$864
RWF - 130, 160 (Optional)	DRAIN PAN/VENTURI PANEL, 3 FAN, WHITE PAINTED	0852507807	\$1,052
RWF - 190, 220 (Optional)	DRAIN PAN/VENTURI PANEL, 4 FAN, WHITE PAINTED	0852507907	\$1,060
RWF - 270 (Optional)	DRAIN PAN/VENTURI PANEL, 5 FAN, WHITE PAINTED	0852508000	\$1,179
RWF - 340 (Optional)	DRAIN PAN/VENTURI PANEL, 6 FAN, WHITE PAINTED	0852508107	\$1,260

RWF - 050	DEFROST HEATER 545W, 42 IN. LONG (2 PER UNIT)	0821500901	\$353
RWF - 075, 100	DEFROST HEATER 545W, 61 IN. LONG (2 PER UNIT)	0821500902	\$377
RWF - 130, 160, 190, 220	DEFROST HEATER 1305W, 79 IN. LONG (2 PER UNIT)	0821500903	\$435
RWF - 270	DEFROST HEATER 2180W, 90 IN. LONG (2 PER UNIT)	0821500904	\$492
RWF - 340	DEFROST HEATER 2725W, 114 IN. LONG (2 PER UNIT)	0821500905	\$557

All Electric and Hot Gas Defrost Models	DEFROST CONTROL, TERMINATION (STANDARD) (USE 08219273)	103079010	NLA
	DEFROST CONTROL, TERMINATION (STANDARD)	08219273	\$137
	DEFROST CONTROL, ADJUSTABLE (OPTIONAL)	204464037	\$364
	DEFROST CONTROL, HEATER SAFETY (STANDARD)	103079003	\$125

FLOW TEMP - MODELS FL, FL-E, FL-G, FL-H

MODEL NUMBER	DESCRIPTION	PART NUMBER	LIST PRICE
ALL MODELS	DEFROST CONTROL, DEFROST TERMINATION, (TIMER RESET) 2 WIRE (USE 0821927	103079010	NLA
ALL MODELS	DEFROST CONTROL, FAN DELAY, 2 WIRE	08219273	\$137
ALL 2 FAN MODELS, FL36-100, FL36-135, FL46-180 MODELS	FAN BLADES, 10" DIAM., 20° PITCH, CCW, HUBLESS	204395016	\$53
ALL FL36-160, FL46-220, FL46-265 AND FL56-370	FAN BLADES, 10" DIAM., 31° PITCH, CCW, HUBLESS	204395018	\$53
ALL FL MODELS	FAN GUARD, PLASTIC, 12" (BLACK)	119647000	\$99
ALL FL MODELS	FAN GUARD, WIRE, EPOXY COATED, 12" (BLACK)	201006011	\$99
ALL FL MODELS	HEATER SAFETY SWITCH, 2 WIRE	103079003	\$125
ALL FL MODELS	MOTOR MOUNT	10243000	\$99
ALL 2 FAN MODELS AND ALL FL36-100 MODELS	MOTOR, SHADED POLE , 9 WATT, 1550 RPM, 115 V.	103104004	\$164
	MOTOR, SHADED POLE , 9 WATT, 1550 RPM, 230 V.	20192600	\$164
FL36-135, FL36-160 MODELS	MOTOR, SHADED POLE , 16 WATT, 1550 RPM, 115 V.	103104007	\$195
ALL 4 AND 5 FAN MODELS	MOTOR, SHADED POLE , 16 WATT, 1550 RPM, 230 V.	103104008	\$195
ALL FL MODELS (OPTIONAL)	MOTOR, PSC , 16 WATT, 1550 RPM, 115 V.	107933001	\$397
Permanent Split Capacitor Motors	CAPACITOR, 5 MFD, FOR 16 WATT 115 V. PSC MOTOR	202163004	\$47
	MOTOR, PSC , 16 WATT, 1550 RPM, 230 V., (No Longer Available. use 107933003)	107933002	NLA
	CAPACITOR, 1.2 MFD, FOR 16 WATT 230 V. PSC MOTOR (Not required for 107933003)	202163015	\$51
ALL MODELS	MOTOR, ECM , 16 WATT, 1550 RPM, 115V	107933006	\$690
EC MOTOR	MOTOR, ECM , 16 WATT, 1550 RPM, 230V	107933003	\$716

FOLLOWING HEATERS ARE FOR UNITS PRODUCED BEFORE APRIL 1, 1988.

FL26-67E	DEFROST HEATERS, CORE, 1970 WATTS, 48" LENGTH, 208-230 V. (2 REQ'D)	200172026	\$329
	DEFROST HEATERS, CORE, 1970 WATTS, 48" LENGTH, 460 V. (2 REQ'D)	200172016	NLA
FL36-100E, FL36-135E, FL36-160E	DEFROST HEATERS, CORE, 1220 WATTS, 30" LENGTH, 208-230 V. (2 REQ'D)	200172023	\$343
	DEFROST HEATERS, CORE, 1760 WATTS, 42" LENGTH, 208-230 V. (2 REQ'D)	200172025	\$634
	DEFROST HEATERS, CORE, 1220 WATTS, 30" LENGTH, 460 V. (2 REQ'D)	200172013	NLA
	DEFROST HEATERS, CORE, 1760 WATTS, 42" LENGTH, 460 V. (2 REQ'D)	200172015	NLA
FL46-180E, FL46-220E, FL46-265E	DEFROST HEATERS, CORE, 1550 WATTS, 38" LENGTH, 208-230 V. (2 REQ'D)	200172024	\$306
	DEFROST HEATERS, CORE, 2480 WATTS, 60" LENGTH, 208-230 V. (2 REQ'D)	200172028	\$364
	DEFROST HEATERS, CORE, 1760 WATTS, 42" LENGTH, 460 V. (2 REQ'D)	200172015	NLA
	DEFROST HEATERS, CORE, 2200 WATTS, 56" LENGTH, 460 V. (2 REQ'D)	200172017	\$531

FOLLOWING HEATERS ARE FOR UNITS PRODUCED BETWEEN APRIL 1, 1988 AND APRIL 1, 1994

FL26-67E	DEFROST HEATERS, CORE, 1970 WATTS, 50" LENGTH, 208-230/460 V. (2 REQ'D)	205221020	\$328
FL36-100E	DEFROST HEATERS, CORE, 2980 WATTS, 74" LENGTH, 208-230/460 V. (2 REQ'D)	205221021	\$368
FL36-135E, FL36-160E	DEFROST HEATERS, CORE, 2980 WATTS, 75" LENGTH, 208-230/460 V. (2 REQ'D)	200172049	\$368
FL46-180E, FL46-220E †	DEFROST HEATERS, CORE, 1550 WATTS, 38" LENGTH, 208-230 V. (2 REQ'D)	200172024	\$306
FL46-265E †	DEFROST HEATERS, CORE, 2480 WATTS, 60" LENGTH, 208-230 V. (2 REQ'D)	200172028	\$364

FOLLOWING HEATERS ARE FOR UNITS PRODUCED AFTER APRIL 1, 1994

FL26-67E	DEFROST HEATERS, CORE, 1970 WATTS, 50" LENGTH, 208-230/460 V. (2 REQ'D)	205221020	\$328
FL36-100E	DEFROST HEATERS, CORE, 2980 WATTS, 74" LENGTH, 208-230/460 V. (2 REQ'D)	205221021	\$368
FL36-135E, FL36-160E	DEFROST HEATERS, CORE, 2980 WATTS, 75" LENGTH, 208-230/460 V. (2 REQ'D)	200172049	\$368
FL46-180E, FL46-220E,	DEFROST HEATERS, CORE, 1550 WATTS, 38" LENGTH, 208-230/460 V. (2 REQ'D)	200172024	\$306
FL46-265E	DEFROST HEATERS, CORE, 2480 WATTS, 60" LENGTH, 208-230/460 V. (2 REQ'D)	200172028	\$364
FL56-370E	DEFROST HEATERS, CORE, 2480 WATTS, 60" LENGTH, 208-230/460 V. (4 REQ'D)	200172028	\$364

FOLLOWING DRAIN PANS ARE FOR UNITS PRODUCED BEFORE APRIL 1, 1991.

2 FAN MODELS	DRAIN PANS, PAINTED (WHITE)	NLA	—
3 FAN FL MODELS	DRAIN PANS, PAINTED (WHITE)	NLA	—
4 FAN FL MODELS	DRAIN PANS, PAINTED (WHITE)	NLA	—

FOLLOWING DRAIN PANS ARE FOR UNITS PRODUCED AFTER APRIL 1, 1991. *

2 FAN FL MODELS	DRAIN PANS	10861406	\$628
3 FAN FL MODELS	DRAIN PANS	10861407	\$696
4 FAN FL MODELS	DRAIN PANS	10861403	\$798
5 FAN FL MODEL	DRAIN PANS	10861408	\$907
2 FAN MODEL (OPTIONAL)	DRAIN PANS, PAINTED (WHITE)‡	10861406W	\$1,103
3 FAN FL MODELS (OPTIONAL)	DRAIN PANS, PAINTED (WHITE)‡	10861407W	\$1,325
4 FAN FL MODELS (OPTIONAL)	DRAIN PANS, PAINTED (WHITE)‡	10861403W	\$1,513
5 FAN FL MODEL (OPTIONAL)	DRAIN PANS, PAINTED (WHITE)‡	10861408W	\$1,669

* ALL FLOW-TEMP DRAIN PANS SHIP VIA COMMON CARRIER, NO UPS.

NLA-NO LONGER AVAILABLE

‡ MUST ADD NOTE TO ORDER TO INCLUDE WHITE PAINTED HOUSING.

† NEED ONE OF EACH HEATER TO MAKE THE TOTAL LENGTH OF THE UNIT. ORIGINAL HEATER IS NO LONGER AVAILABLE.

INTER TEMP - MODELS ITA, ITE, ITG, ITH PRODUCED BEFORE MARCH, 1996

MODEL NUMBER	DESCRIPTION	PART NUMBER	LIST PRICE
ALL MODELS	FAN BLADES, 14" DIAM., 32° PITCH, CW	214100000	\$213
ALL MODELS	FAN GUARD, WIRE, EPOXY COATED, 14" (original part 213626002 - No Longer A v.)	203626003	NLA
ALL ITA 2 FAN MODELS	DRAIN PAN, 45-1/2" LENGTH*	21414700	NLA
ALL ITA 3 FAN MODELS	DRAIN PAN, 63-1/2" LENGTH*	21414800	NLA
ALL ITA 4 FAN MODELS	DRAIN PAN, 81-1/2" LENGTH*	21414900	NLA
ALL ITA 5 FAN MODELS	DRAIN PAN, 99-1/2" LENGTH*	21415000	NLA
ALL ITE, ITG, ITH MODELS	DEFROST CONTROL, ADJUSTABLE, RANCO F-25	204464037	\$364
ITE24-110, ITE24-105, ITE26-125, ITE26-270	DEFROST HEATERS, CORE, 671 WATTS, 47" LENGTH, 230 V. (4 REQ'D)	112755000	NLA
	DEFROST HEATERS, DRAIN PAN, 238 WATTS, 97-7/8" LENGTH, 230 V. (2 REQ'D)	113889000	\$364
	DRAIN PAN, 45-1/2" LENGTH*	21415100	\$490
ITE34-225, ITE36-256	DEFROST HEATERS, CORE, 959 WATTS, 65" LENGTH, 230 V. (4 REQ'D)	112756000	NLA
	DEFROST HEATERS, DRAIN PAN, 168 WATTS, 70-1/8" LENGTH, 230 V. (4 REQ'D)	113888000	NLA
	DRAIN PAN, 63-1/2" LENGTH*	21415200	NLA
ITE44-300, ITE46-340	DEFROST HEATERS, CORE, 1247 WATTS, 83" LENGTH, 230 V. (4 REQ'D)	112757000	NLA
	DEFROST HEATERS, DRAIN PAN, 213 WATTS, 88-1/4" LENGTH, 230 V. (4 REQ'D)	113887000	NLA
	DRAIN PAN, 81-1/2" LENGTH*	21415300	NLA
ITE54-380, ITE56-430	DEFROST HEATERS, CORE, 1535 WATTS, 101" LENGTH, 230 V. (4 REQ'D)	112758000	NLA
	DEFROST HEATERS, DRAIN PAN, 258 WATTS, 106-1/8" LENGTH, 230 V. (4 REQ'D)	NLA	-
	DRAIN PAN, 99-1/2" LENGTH*	21415400	NLA

CONTACT FACTORY FOR HOT GAS DRAIN PAN PRICING

FOLLOWING MOTORS ARE FOR UNITS PRODUCED BEFORE JANUARY 1, 1994.

ALL MODELS	MOTOR, SHADED POLE, 1/8 HP, 1050 RPM, 115V.(CAPACITOR NOT INCLUDED)	122830000	\$789
	MOTOR, PSC, 1/8 HP, 1050 RPM, 230V. (CAPACITOR NOT INCLUDED)	049-146	NLA
	MOTOR, SHADED POLE, 1/15 HP, 1050 RPM, 460V.	NLA	-
ALL 115V MODELS	CAPACITOR, 10 MFD, FOR 1/15 HP 115 V. PSC MOTOR	08216063	\$48
ALL 230V MODELS	CAPACITOR, 5 MFD, FOR 1/8 HP 230 V. PSC MOTOR	202163004	\$47
ALL 460V MODELS	CAPACITOR, 7.5 MFD, FOR 1/8 HP 460 V. PSC MOTOR	202163008	NLA

OR UNITS PRODUCED BETWEEN APRIL 30, 1994 AND MARCH, 1996.

ALL MODELS	MOTOR, PSC, 1/8 HP, 1050 RPM, 115 V., (CAPACITOR NOT INCLUDED)	122830000	\$789
	MOTOR, PSC, 1/8 HP, 1050 RPM, 230 V., (CAPACITOR NOT INCLUDED)	049-146	NLA
	MOTOR, PSC, 1/8 HP, 1050 RPM, 460 V., (CAPACITOR NOT INCLUDED)	049-175	\$837
ALL 115V MODELS	CAPACITOR, 10 MFD, FOR 1/15 HP 115 V. PSC MOTOR	08216063	\$48
ALL 230V MODELS	CAPACITOR, 5 MFD, FOR 1/8 HP 230 V. PSC MOTOR	202163004	\$47
ALL 460V MODELS	CAPACITOR, 7.5 MFD, FOR 1/8 HP 460 V. PSC MOTOR	202163006	\$51

INTER TEMP - MODELS ITA, ITE, ITG, ITH PRODUCED AFTER MARCH, 1996

ITA24-126,-169, ITA34-224,-287, ITA26-145,-191, ITA36-240,-305, ITA28-151,-210, ITA38-260,-320, ITE24-105, -140, ITE34-175, ITE26-130, -150, ITE36 -185	FAN BLADE, 14" 32° PITCH, CW	214100000	\$213
	FAN GUARD, 14" WIRE, EPOXY COATED, BLUE	213626002	NLA
	FAN GUARD, 14" WIRE, EPOXY COATED, BLACK	213626003	\$125
	FAN GUARD, AIR STRAIGHTENER, 14"	11344700	NLA
ITA24-340,-395, ITA34-465,-585 ITA26-370, ITA36-415, -490,-620 ITA28-410,-450, ITA38-540,-690 ITE24-230,-325, ITE34-390,-510 ITE26-270, ITE26-320, ITE36-385 ITE36-460, ITE36-520	FAN BLADE, 20" 25° PITCH, CW	213456000	\$288
	FAN GUARD, WIRE, EPOXY COATED, 20"	213484000	\$236
	FAN GUARD, AIR STRAIGHTENER, 20"	10692300	\$402

* INTER -TEMP DRAIN PANS MUST SHIP COMMON CARRIER, NO UPS.

NLA - NO LONGER AVAILABLE

INTER TEMP - MODELS ITA, ITE, ITG, ITH PRODUCED AFTER MARCH,1996 (CONT)

MODEL NUMBER	DESCRIPTION	PART NUMBER	LIST PRICE
ITA24-126,-169, ITA26-145,-191, ITA28-151,-210, ITE24-105,-140, ITE26-130,-150	DRAIN PAN, 55" LENGTH*	11523801	\$853
ITA34-224,287, ITA36-240,-305, ITA38-260,-320, ITE34-175, ITE36-185	DRAIN PAN, 76" LENGTH*	11523901	\$942
ITA24-340,-395, ITA26-370, ITA28-410,-450, ITE24-230,-325, ITE26-270,-320	DRAIN PAN, 76" LENGTH*	11524001	\$942
ITA34-465,-585, ITA38-540,-690, ITA36-415,-490,-620, ITE34-390,-510, ITE36-385,-460,-520	DRAIN PAN, 106" LENGTH*	11524101	\$942
ALL ITE MODELS	DEFROST TERMINATION CONTROL (USE 08219273)	103079010	NLA
ALL ITE MODELS	DEFROST TERMINATION CONTROL	08219273	\$137
ALL ITE MODELS	FAN DELAY CONTROL	103079009	\$137
ALL ITE MODELS	HEATER SAFETY CONTROL	103079003	\$125
ITE24-105, ITE24-140, ITE26-130, ITE26-150	DEFROST HEATERS, 240V, 1693 WATTS 50" LENGTH, 3 REQ.	206240022	\$335
	DEFROST HEATERS,460V, 1555 WATTS, 50" LENGTH, 3 REQ.	206240021	\$524
	DEFROST HEATERS,575V, 1555 WATTS, 50" LENGTH, 3 REQ.	206240030	\$524
ITE34-175, ITE24-230, ITE24-325, ITE36-185, ITE26-270, ITE26-320	DEFROST HEATERS, 240V, 2458 WATTS, 70" LENGTH, 3 REQ.	206240004	\$441
	DEFROST HEATERS, 460V, 2258 WATTS, 70" LENGTH, 3 REQ.	206240020	\$658
	DEFROST HEATERS, 575V, 2258 WATTS, 70" LENGTH, 3 REQ.	206240029	\$658
ITE34-390, ITE34-510, ITE36-385, ITE36-460, ITE36-520	DEFROST HEATERS, 240V, 3538 WATTS, 100" LENGTH, 3 REQ.	206240005	\$553
	DEFROST HEATERS, 460V, 3249 WATTS, 100" LENGTH, 3 REQ.	206240019	\$753
	DEFROST HEATERS, 575V, 3249 WATTS, 100" LENGTH, 3 REQ.	206240028	\$753
ITA24-126,-169, ITA34-224,-287, ITA26-145,-191, ITA36-240,-305, ITA28-151,-210, ITA38-260,-320	MOTOR, PSC, 115V, 1/8 HP, 1075 RPM (4 MFD CAP. NOT INCLUDED)	115248001	\$789
	CAPACITOR, 4MFD, FOR 1/8 HP (115 V, 230V, 460V.) PSC MOTOR	202163012	\$48
	MOTOR, ECM , 115V, 1/8 HP, 1075 RPM	08216128	\$960
ITA24-340,-395, ITA34-465,-585 ITA26-370,ITA36-415, -490,-620 ITA28-410,-450, ITA38-540,-690 ITA24-340,-395, ITA34-465,-585	MOTOR, PSC, 115V, 1/3 HP, 1075 RPM	205051005	\$762
	MOTOR, PSC, 115V, 1/3 HP, 1075 RPM, LO-GRSE (5 MFD CAP. NOT INCLUDED)	205051020	\$856
	CAPACITOR, 5MFD, FOR 1/3 HP (115V) PSC MOTOR	202163004	\$47
	MOTOR, ECM , 115V, 1/3 HP, 1075 RPM	08216130	\$948
ITA24-126,-169, ITA34-224,-287 ITA26-145,-191, ITA36-240,-305 ITA28-151,-210, ITA38-260,-320 ITE24-105, ITE24-140, ITE34-175 ITE26-130, ITE26-150, ITE36-185	MOTOR, PSC, 230V, 1/8 HP, 1075 RPM (4 MFD CAP. NOT INCLUDED)	115248002	\$789
	CAPACITOR, 4MFD, FOR 1/8 HP (115 V, 230V, 460V.) PSC MOTOR	202163012	\$48
	MOTOR, ECM , 230V, 1/8 HP, 1075 RPM	08216129	\$995
ITA24-340,-395, ITA34-465,-585, ITA26-370,-415, ITA36-415,-490,-620, ITA28-410,-450, ITA38-540,-690, ITE24-230,-325, ITE34-390,-510, ITE26-270, ITE26-320, ITE36-385, ITE36-460, ITE36-520	MOTOR, PSC, 115V, 1/3 HP, 1075 RPM	205051004	\$396
	MOTOR, PSC, 230V, 1/3 HP, 1075 RPM, LO-GRSE (5.0 MFD CAP. NOT INCLUDED)	205051019	\$946
	CAPACITOR, 5.0 MFD, FOR 1/3 HP (230V) PSC MOTOR	202163004	\$47
	MOTOR, ECM , 230V, 1/3 HP, 1075 RPM	08216131	\$1,157
ITA24-126,-169, ITA34-224,-287 ITA26-145,-191, ITA36-240,-305 ITA28-151,-210, ITA38-260,-320 ITE24-105, ITE24-140, ITE34-175 ITE26-130, ITE26-150, ITE36-185	MOTOR, PSC, 460V, 1/8 HP, 1075 RPM (4 MFD CAP. NOT INCLUDED)	115248003	\$837
	MOTOR, PSC, 575V, 1/8 HP, 1075 RPM (4 MFD CAP. NOT INCLUDED)	115951000	\$930
	CAPACITOR, 4MFD, FOR 1/8 HP (115 V, 230V, 460V.) PSC MOTOR	202163012	\$48
ITA24-340,-395, ITA34-465,-585 ITA26-370,-415, ITA36-490,-620 ITA28-410,-450, ITA38-540,-690 ITE24-230,-325, ITE34-390,-510 ITE26-270, ITE26-320 ITE36-385, ITE36-460, ITE36-520	MOTOR, PSC, 460V, 1/3 HP, 1075 RPM (NO LONGER AVAILABLE use 205051021)	205051006	NLA
	MOTOR, PSC, 460V, 1/3 HP, 1075 RPM, LO-GRSE (7.5 MFD CAP. NOT INCLUDED)	205051021	\$1,044
	MOTOR, PSC, 575V, 1/3 HP, 1075 RPM (7.5 MFD CAP. NOT INCLUDED)	115950000	\$994
	CAPACITOR, 7.5 MFD, FOR 1/3 HP (230V,460V) PSC MOTOR	202163006	\$51
MODELS WITH 14" FANS	MOTOR MOUNT 14"	214837000	\$134
MODELS WITH 20" FANS	MOTOR MOUNT 20"	210225000	\$232

* INTER - TEMP DRAIN PANS MUST SHIP VIA COMMON CARRIER. NO UPS SHIPMENTS
BOLD PART NUMBERS ARE FOR REPLACEMENT MOTORS

ULTRA TEMP - MODELS U*U, U*L, U*M, UAH

MODEL NUMBER	DESCRIPTION	PART NUMBER	LIST PRICE
ALL MODELS	DEFROST CONTROL, ADJUSTABLE, RANCO F-25	204464037	\$364
ALL 1 FAN MODELS	DEFROST HEATERS, CORE, 1378 WATTS, 40" LENGTH, 208-230/460 V. (4 REQ'D)	206240003	\$273
	DEFROST HEATERS, CORE, 1378 WATTS, 40" LENGTH, 300 V. (4 REQ'D)	206240025	\$344
ALL 2 FAN MODELS	DEFROST HEATERS, CORE, 2458 WATTS, 70" LENGTH, 208-230/460 V. (4 REQ'D)	206240004	\$441
	DEFROST HEATERS, CORE, 2458 WATTS, 70" LENGTH, 300 V. (4 REQ'D)	206240026	\$559
ALL 3 FAN MODELS	DEFROST HEATERS, CORE, 3538 WATTS, 100" LENGTH, 208-230/460 V. (4 REQ'D)	206240005	\$553
	DEFROST HEATERS, CORE, 3538 WATTS, 100" LENGTH, 300 V. (4 REQ'D)	206240027	\$716
UEU4-711	DEFROST HEATERS, CORE, 2305 WATTS, 132" LENGTH, 208-230/460 V. (8 REQ'D)	206240002	\$439
UEL4-817, UEL4-722 UEM4-780, UEM4-882	DEFROST HEATERS, CORE, 2305 WATTS, 132" LENGTH, 300 V. (8 REQ'D)	206240024	\$559
UEU4-851, UEU4-1080, UEL4-950, UEL4-1100, UEL4-1260, UEL4-1380, UEM4-1100 UEM4-1320, UEM4-1656	DEFROST HEATERS, CORE, 2305 WATTS, 132" LENGTH, 208-230/460 V. (12 REQ'D)	206240002	\$439
UEU5-1350, UEL5-1575 UEL5-1725, UEM5-2065	DEFROST HEATERS, CORE, 2837 WATTS, 162" LENGTH, 208-230/460 V (12 REQ'D)	206240017	\$508
	DEFROST HEATERS, CORE, 2837 WATTS, 162" LENGTH, 208V (300V units) (12 REQ'D)	206240032	\$524
UEU6-1620, UEL6-1890 UEL6-2070, UEM6-2480	DEFROST HEATERS, CORE, 3369 WATTS, 192" LENGTH, 208-230/460 V (12 REQ'D)	206240018	\$609
	DEFROST HEATERS, CORE, 3369 WATTS, 192" LENGTH, 208V (300V units) (12 REQ'D)	206240031	\$635
ALL MODELS	DEFROST HEATER, DRAIN PLUG, 540 WATTS, 208-230/460 V.	10780703	NLA

FOLLOWING DRAIN PANS ARE FOR UNITS PRODUCED BEFORE JULY 31, 1995 (contact factory for Hot Gas Pans)**

1 FAN MODELS	DRAIN PAN, 46-1/2"LENGTH - SPECIFY MOD# AND S/N.	12270501	\$751
2 FAN MODELS	DRAIN PAN, 76-1/2"LENGTH - SPECIFY MOD# AND S/N.	12270502	\$844
3 FAN MODELS	DRAIN PAN, 106-1/2"LENGTH - SPECIFY MOD# AND S/N.	12270503	\$932
4 FAN MODELS	DRAIN PAN, 136-1/2"LENGTH - SPECIFY MOD# AND S/N.	12270504	\$1,023
5 FAN MODELS	DRAIN PAN, 166-1/2"LENGTH - SPECIFY MOD# AND S/N.	12270505	\$1,238
6 FAN MODELS	DRAIN PAN, 196-1/2"LENGTH - SPECIFY MOD# AND S/N.	21505600	\$1,534

FOLLOWING DRAIN PANS ARE FOR UNITS PRODUCED AFTER JULY 31, 1995 (contact factory for Hot Gas Pans)**

1 FAN MODELS	DRAIN PAN, 46-1/2"LENGTH - SPECIFY MOD# AND S/N.	10642401	\$751
2 FAN MODELS	DRAIN PAN, 76-1/2"LENGTH - SPECIFY MOD# AND S/N.	10642402	\$844
3 FAN MODELS	DRAIN PAN, 106-1/2"LENGTH - SPECIFY MOD# AND S/N.	10642403	\$932
4 FAN MODELS (AIR DEFROST)	DRAIN PAN, 136-1/2"LENGTH - SPECIFY MOD# AND S/N.	10642404	\$1,023
5 FAN MODELS (AIR DEFROST)	DRAIN PAN, 166-1/2"LENGTH - SPECIFY MOD# AND S/N.	21884500	\$1,238
6 FAN MODELS (AIR DEFROST)	DRAIN PAN, 196-1/2"LENGTH - SPECIFY MOD# AND S/N.	21884600	\$1,360
4 FAN MODELS (ELEC. DEF)	DRAIN PAN, 136-1/2"LENGTH - SPECIFY MOD# AND S/N.	21485900	\$1,196
5 FAN MODELS (ELEC. DEF)	DRAIN PAN, 166-1/2"LENGTH - SPECIFY MOD# AND S/N.	21512700	\$1,411
6 FAN MODELS (ELEC. DEF)	DRAIN PAN, 196-1/2"LENGTH - SPECIFY MOD# AND S/N.	21505600	\$1,534
4,5,6, FAN MODELS	DRAIN PAN, CONNECTION 1-1/4"	114896001	\$53

FOLLOWING DRAIN PAN HEATERS ARE FOR UNITS PRODUCED AFTER JULY 31, 1995**

1-3 FAN MODELS*	NOT REQUIRED	NLA	-
4 FAN MODELS	DRAIN PAN HTR, 133-1/2"LENGTH, SPEC. MOD# AND S/N.(2 REQ.), 540 WATTS, 230V	115098000	\$473
	DRAIN PAN HTR, 146-1/8"LENGTH, SPEC. MOD# AND S/N.(2 REQ.), 540 WATTS, 300V	125704000	\$501
5 FAN MODELS	DRAIN PAN HTR, 163-1/2"LENGTH, SPEC. MOD# AND S/N.(2 REQ.), 660 WATTS, 230V	115099000	\$534
	DRAIN PAN HTR, 176-1/8"LENGTH, SPEC. MOD# AND S/N.(2 REQ.), 660 WATTS, 300V	125705000	\$564
6 FAN MODELS	DRAIN PAN HTR, 196-1/2"LENGTH, SPEC. MOD# AND S/N.(2 REQ.), 780 WATTS, 230V	115100000	\$652
	DRAIN PAN HTR, 206-1/8"LENGTH, SPEC. MOD# AND S/N.(2 REQ.), 780 WATTS, 300V	125706000	\$702

FOLLOWING FAN BLADES ARE FOR UNITS PRODUCED BEFORE APRIL 1, 1990.

ALL 1, 2, & 3 FAN U*U, AND U*L MODELS, AND U*U4-711, U*L4-722, U*L4-817	FAN BLADES, 20" DIAM., 23° PITCH, CW, 1/2" BORE	202147008	\$328
U*U4-851, U*U4-1080, U*L4-1100, U*L4-1380 U*M4-1320, U*M4-1656, UAH4-1452, UAH4-1821	FAN BLADES, 24" DIAM., 32° PITCH, CW, 1/2" BORE, 3 BLADES	213455000	NLA
		08221050	\$328
ALL 1, 2, & 3 FAN U*M, AND UAH MODELS, AND U*M4-780, U*M4-822, UAH4-866, UAH4-980	FAN BLADES, 20" DIAM., 25° PITCH, CW, 1/2" BORE	213456000	\$288

* NO DRAIN PAN HEATERS FOR 1 - 3 FAN MODELS (BOTTOM CORE HEATER DEFROSTS THE DRAIN PAN.)

NLA - NO LONGER AVAILABLE

** MUST SHIP VIA COMMON CARRIER. NO UPS SHIPMENTS

ULTRA TEMP - MODELS U*U, U*L, U*M, UAH (Con't)

FOLLOWING FAN BLADES ARE FOR UNITS PRODUCED AFTER APRIL 1, 1990.

U*U1-118, U*U2-236, U*L1-125 U*L1-152, U*L1-193, U*L2-240, U*L2-304	FAN BLADES, 20" DIAM., 23° PITCH, CCW , 1/2" BORE	202147008	\$328
U*U2-355, U*L2-361, U*L2-408, U*M4-1100, U*M4-1320, U*M4-1656, UAH4-1452, UAH4-1821, UAH5-2275, UAH6-2730, & ALL 3, 4, 5, & 6 FAN U*U AND U*L MODELS	FAN BLADES, 24" DIAM., 32° PITCH, CW, 1/2" BORE, 3 BLADES	213455000	NLA
		08221050	\$328
U*M1-164, U*M1-209, U*M2-270, U*M2-239, UAH1-182, UAH1-232, UAH2-300, UAH2-365	FAN BLADES, 20" DIAM., 25° PITCH, CW, 1/2" BORE	213456000	\$288
U*M2-390, U*M2-441, UAH2-433, UAH2-490, ALL 3 FAN U*M, AND UAH MODELS U*M4-780, U*M4-882, U*M5-2065, U*M6-2480, UAH4-866, UAH4-980, UAH4-1100	FAN BLADES, 24" DIAM., 14° PITCH, CW , 1/2" BORE	214041000	\$318
U*U1-118, U*U2-236, U*L1-125, U*L1-152, U*L1-193, U*L2-240, U*L2-304, U*M1-164, U*M1-209, U*M2-270, U*M2-329, UAH1-182, UAH1-232, UAH2-300, UAH2-365	FAN GUARD, WIRE, EPOXY COATED, 20"	213484000	\$236
	FAN GUARD, AIR STRAIGHTENER (20" FANS)	10692300	\$402
U*U2-355, U*L2-361, U*L2-408, U*M2-390, U*M2-441, UAH2-433, UAH2-490, AND ALL 3, 4, 5, & 6 FAN U*U, U*L, U*M, UAH MODELS	FAN GUARD, WIRE, EPOXY COATED, 24"	202136005	\$482
	FAN GUARD, AIR STRAIGHTENER (24" FANS)	10709900	\$482

FOLLOWING MOTORS ARE FOR UNITS PRODUCED BEFORE APRIL 1, 1990.

ALL 1, 2, & 3 FAN U*M, & UAH & U*M4-780, U*M4-882, UAH4-866, UAH4-980, UAH4-1100	MOTOR, PSC, 115V, 1/3 HP, 1075 RPM (NO LONGER AVAILABLE FOR EVAP. UNITS)	205051005	\$762
	MOTOR, PSC, 115V, 1/3 HP, 1075 RPM, LO-GRSE (5 MFD CAP. NOT INCLUDED)	205051020	\$856
	MOTOR, PSC, 230V, 1/3 HP, 1075 RPM (NO LONGER AVAILABLE FOR EVAP. UNITS)	205051004	\$396
	MOTOR, PSC, 230V, 1/3 HP, 1075 RPM, LO-GRSE (5.0 MFD CAP. NOT INCLUDED)	205051019	\$946
	MOTOR, PSC, 460V, 1/3 HP, 1075 RPM (NO LONGER AVAILABLE FOR EVAP UNITS)	205051006	NLA
	MOTOR, PSC, 460V, 1/3 HP, 1075 RPM, LO-GRSE (7.5 MFD CAP. NOT INCLUDED)	205051021	\$1,044
U*U4-851, U*U4-1080, U*L4-1100, U*L4-1380 U*M4-1320, U*M4-1656, UAH4-1452, UAH4-1821	MOTOR, PSC, 3/4 HP, 1075RPM, 208-230/60/1 (NO LONGER AVAILABLE FOR EVAPS)	205051009	\$1,044
	MOTOR, PSC, 3/4 HP, 1075RPM, 208-230/60/1 (5 MFD CAPACITOR NOT INCLUDED)	118187000	\$1,318
	MOTOR, PSC, 3/4 HP, 1075RPM, 460/60/1 (NO LONGER AVAILABLE FOR EVAP UNITS)	205051002	\$1,149
ALL 1, 2, & 3 FAN U*U, AND U*L MODELS, AND U*U4-711, U*L4-722, U*L4-817	MOTOR, PSC, 3/4 HP, 1075RPM, 460/60/1 (5 MFD CAPACITOR NOT INCLUDED)	118186000	\$1,509
	MOTOR, PSC, 3/4 HP, 1625 RPM, 208-230/60/1 (7.5 MFD CAPACITOR NOT INCLUDED)	205051007	\$1,069
ALL MODELS	MOTOR, PSC, 3/4 HP, 1625 RPM, 460/60/1 (7.5 MFD CAPACITOR NOT INCLUDED)	205051008	\$1,150
ALL MODELS	MOTOR, MOUNT, 24"	205269000	\$232

FOLLOWING MOTORS ARE FOR UNITS PRODUCED AFTER APRIL 1, 1990.

ALL 1, 2, 3, FAN U*M, AND UAH MODELS, AND U*M4-780, U*M4-882, UAH4-866, UAH4-980, UAH4-1100	MOTOR, PSC, 115V, 1/3 HP, 1075 RPM (NO LONGER AVAILABLE FOR EVAP. UNITS)	205051005	\$762
	MOTOR, PSC, 115V, 1/3 HP, 1075 RPM, LO-GRSE (5 MFD CAP. NOT INCLUDED)	205051020	\$856
	MOTOR, ECM , 1/3 HP, 1075 RPM, CCW, 115V	08216130	\$948
	MOTOR, PSC, 230V, 1/3 HP, 1075 RPM (NO LONGER AVAILABLE FOR EVAP. UNITS)	205051004	\$396
	MOTOR, PSC, 230V, 1/3 HP, 1075 RPM, LO-GRSE (5.0 MFD CAP. NOT INCLUDED)	205051019	\$946
	MOTOR, ECM , 1/3 HP, 1075 RPM, CCW, 230V	08216131	\$1,157
	MOTOR, PSC, 460V, 1/3 HP, 1075 RPM (NO LONGER AVAILABLE FOR EVAP UNITS)	205051006	NLA
	MOTOR, PSC, 460V, 1/3 HP, 1075 RPM, LO-GRSE (7.5 MFD CAP. NOT INCLUDED)	205051021	\$1,044
	MOTOR, PSC, 1/3 HP, 1075 RPM, 575/60/1 (7.5 MFD CAPACITOR NOT INCLUDED)	115950000	\$994
U*U2-355, U*L2-361, U*L2-408, AND ALL 3, 4, 5, & 6 FAN U*U, AND U*L MODELS, U*M4-1100, U*M4-1320, U*M4-1656, U*M5-2065 U*M6-2480, UAH4-1452, UAH4-1821 UAH5-2275, UAH6-2730	MOTOR, PSC, 3/4 HP, 1075RPM, 208-230/60/1 (NO LONGER AVAILABLE FOR EVAPS)	205051009	\$1,044
	MOTOR, PSC, 3/4 HP, 1075RPM, 208-230/60/1 (5 MFD CAPACITOR NOT INCLUDED)	118187000	\$1,318
	MOTOR, PSC, 3/4 HP, 1075RPM, 460/60/1 (NO LONGER AVAILABLE FOR EVAP UNITS)	205051002	\$1,149
	MOTOR, PSC, 3/4 HP, 1075RPM, 460/60/1 (5 MFD CAPACITOR NOT INCLUDED)	118186000	\$1,509
	MOTOR, PSC, 1/2 HP, 1075RPM, 575/60/1 (5 MFD CAPACITOR NOT INCLUDED)	115952000	\$942
U*U1-118, U*U2-236, U*L1-125, U*L1-152, U*L1-193, U*L2-240 U*L2-304	MOTOR, ECM , 3/4 HP, 1075 RPM, CCW, 230V	08216132	\$1,276
	MOTOR, PSC, 3/4 HP, 1625 RPM, 208-230/60/1 (7.5 MFD CAPACITOR NOT INCLUDED)	205051007	\$1,069
	MOTOR, PSC, 3/4 HP, 1625 RPM, 460/60/1 (7.5 MFD CAPACITOR NOT INCLUDED)	205051008	\$1,150
	MOTOR, PSC, 1/2 HP, 1075RPM, 575/60/1 (5 MFD CAPACITOR NOT INCLUDED)	115952000	\$942
ALL MODELS	MOTOR, ECM , 3/4 HP, 1625 RPM, CCW, 230V	08216133	\$1,229
ALL MODELS	MOTOR, MOUNT, 24"	205269000	\$232
ALL MODELS	CAPACITOR, 5MFD, 230/1 V. PSC MOTORS ONLY	202163004	\$47
	CAPACITOR, 7.5 MFD, 230/1 V. PSC MOTORS ONLY	202163006	\$51

BOLD PART NUMBERS ARE FOR REPLACEMENT MOTORS

ECONET™ ENABLED UNIT COOLERS

MODEL NUMBER	DESCRIPTION	PART NUMBER	LIST PRICE
EEV Replacement Parts	VALVE, TXV, 3/8 X 1/2 ODF, SWEAT	SBFVE-AA-C	\$454
	VALVE, TXV, 3/8 X 1/2 ODF, SWEAT	SBFVE-A-C	\$440
	VALVE, TXV, 3/8 X 1/2 ODF, SWEAT	SBFVE-B-C	\$440
	VALVE, TXV, 3/8 X 1/2 ODF, SWEAT	SBFVE-C-C	\$562

SURVEILLANT DEMAND DEFROST CONTROLLER REPLACEMENT PARTS

Demand Defrost Control Parts	Surveillant Evaporator Control	08219537	\$2,623
	Electronic Expansion Valve - less cable	08219539	\$508
	EEV power cable for AA/AE evaporator	08219516	\$260
	EEV Power Cable for CTA/CTE evaporators	08219517	\$258
	Return Air Temperature Sensor for AA/AE	08219522	\$150
	Return Air Temperature Sensor for CTA/CTE	08219523	\$150
	Air sensor mounting wire	08219978	\$10
	Coil Temperature sensor for AA/AE	08219524	\$150
	Coil Temperature sensor for CTA/CTE	08219525	\$150
	Coil Temperature sensor for CTA/CTE (AUX)	08219526	\$150
	Suction Temperature sensor for AA/AE	08219520	\$150
	Suction Temperature sensor for CTA/CTE	08219521	\$150
	Transducer only - No cable	08219981	\$400
	Transducer Cable for AA/AE evaporators	08219518	\$209
	Transducer Cable for CTA/CTE	08219519	\$209
	Strain relief wire	08219528	\$4
Smartgate Router	08219541	\$3,111	

FLEX TEMP-MODELS FT

MODEL NUMBER	DESCRIPTION	PART NUMBER	LIST PRICE
FT18-6, FT18-8	DRAIN PAN-VENTURI	20985600	\$139
	FAN BLADES, PLASTIC, 6" DIAM., 21° PITCH, CW, HUBLESS	105849001	\$58
	FAN GUARD, PLASTIC, 6"	205932000	\$90
	MOTOR, SKELETON FRAME, SHADED POLE, 43 WATT INPUT, 3000 RPM, 115 V.	102249005	\$166
	MOTOR, SKELETON FRAME, SHADED POLE, 43 WATT INPUT, 3000 RPM, 230 V.	102249007	\$166
FT28-12	DRAIN PAN-VENTURI	20985500	\$183
	FAN BLADES, PLASTIC, 6" DIAM., 21° PITCH, CW, HUBLESS	105849001	\$58
	FAN GUARD, PLASTIC, 6"	205932000	\$90
	MOTOR, SKELETON FRAME, SHADED POLE, 43 WATT INPUT, 3000 RPM, 115 V.	102249005	\$166
	MOTOR, SKELETON FRAME, SHADED POLE, 43 WATT INPUT, 3000 RPM, 230 V.	102249007	\$166
FT18-17	DRAIN PAN-VENTURI	20985400	\$220
	FAN BLADES, 8" DIAM., 31° PITCH, CW, HUBLESS	204395009	\$49
	FAN GUARD, PLASTIC, 8"	206569000	\$92
	MOTOR, SHADED POLE, 9 WATT, 1550 RPM, 115 V.	103104004	\$164
	MOTOR, SHADED POLE, 9 WATT, 1550 RPM, 230 V.	103104005	\$164
	MOTOR, ECM , 16W, 1550 RPM, 115V	107933006	\$690
FT18-23, FT18-31	MOTOR, ECM , 16W, 1550 RPM, 230V	107933003	\$716
	DRAIN PAN-VENTURI	20985300	\$279
	FAN BLADES, 10" DIAM., 25° PITCH, CCW	214022000	\$53
	FAN GUARD, WIRE, EPOXY COATED , 10"	201006002	\$99
	MOTOR, SHADED POLE, 1/20 HP, 1550 RPM, 115 V. (USE 08216072)	102540003	NLA
	MOTOR, SHADED POLE, 1/20 HP, 1550 RPM, 115 V.	08216072	\$212
	MOTOR, SHADED POLE, 1/20 HP, 1550 RPM, 208-230 V.	102540004	\$212
	MOTOR, SHADED POLE, 1/20 HP, 1550 RPM, 208-230 V. (USE 08216071)	8216071	\$212
MOTOR, ECM , 1/30 HP, 1550 RPM, 115V	08216126	\$806	
MOTOR, ECM , 1/30 HP, 1550 RPM, 230V	08216127	\$841	

HI TEMP - MODELS HI

HI17-6, HI17-9, HI17-12, HI17-15	DRAIN PAN	NLA	-
HI17-18, HI17-25	DRAIN PAN	NLA	-
HI17-35, HI17-45, HI18-55	DRAIN PAN	NLA	-
HI17-65, HI17-75, HI18-85	DRAIN PAN	NLA	-
HI17-105, HI18-120	DRAIN PAN	NLA	-
HI27-150, HI27-180	DRAIN PAN	NLA	-
HI17-6	FAN BLADES, 6" DIAM., 20° PITCH, CW, HUBLESS	105849001	\$58
HI17-9, HI17-12, HI17-15	FAN BLADES, 8" DIAM., 31° PITCH, CW , HUBLESS	204395009	\$49
HI17-18, HI17-25	FAN BLADES, 10" DIAM., 20° PITCH, CW, HUBLESS	204395015	\$53
HI17-35	FAN BLADES, 12" DIAM., 19° PITCH, CW, 5/16" BORE	NLA	-
HI17-45	FAN BLADES, 12" DIAM., 19° PITCH, CW, 5/16" BORE	NLA	-
HI18-55	FAN BLADES, 12" DIAM., 23° PITCH, CW, 5/16" BORE	215112000	\$158
HI17-65, HI27-150,	FAN BLADES, 16" DIAM., 19° PITCH, CW, 1/2" BORE	11905	\$198
HI17-75, HI18-85, HI17-105 HI18-120, HI27-180	FAN BLADES, 16" DIAM., 23° PITCH, CW, 1/2" BORE	NLA	-
HI17-6	FAN GUARD, PLASTIC, 6"	205932000	\$90
HI17-9, HI17-12, HI17-15	FAN GUARD, PLASTIC, 8"	206569000	\$92
HI17-18, HI17-25	FAN GUARD, WIRE, EPOXY COATED , 10"	08397002	\$99
HI17-35, HI17-45, HI18-55	FAN GUARD, WIRE, EPOXY COATED , 12"	201006011	\$99
HI17-65 THRU HI27-180	FAN GUARD, WIRE, EPOXY COATED , 16"	201006004	\$134
HI17-6, HI17-9, HI17-12	MOTOR, SHADED POLE, 4 WATT, 1550 RPM, 115 V.	NLA	-
HI17-15, HI17-18, HI17-25	MOTOR, SHADED POLE, 9 WATT, 1550 RPM, 115 V.	103104004	\$164
	MOTOR, SHADED POLE, 9 WATT, 1550 RPM, 230 V.	103104005	\$164
HI17-35, HI17-45, HI18-55	MOTOR, SHADED POLE, 1/20 HP, 1550 RPM, 115 V.	08216072	\$212
	MOTOR, SHADED POLE, 1/20 HP, 1550 RPM, 230 V.	08216071	\$212
HI17-65, HI17-75, HI18-85, HI17-105, HI27-150, HI27-180	MOTOR, SHADED POLE, 1/12 HP, 1050 RPM, 115 V.	08216119	\$594
	MOTOR, SHADED POLE, 1/12 HP, 1050 RPM, 230 V.	NLA	-
HI18-120	MOTOR, SHADED POLE, 1/6 HP, 1050 RPM, 115/230 V.	NLA	-
HI17-6 THRU HI18-55	MOTOR MOUNT (SPECIFY UNIT MODEL NUMBER WHEN ORDERING)	NLA	-
HI17-65 THRU HI27-180	MOTOR MOUNT (SPECIFY UNIT MODEL NUMBER WHEN ORDERING)	NLA	-

NLA - NO LONGER AVAILABLE

ASL MODELS

MODEL NUMBER	DESCRIPTION	PART NUMBER	LIST PRICE
ASL25-46E	DEFROST HEATERS, CORE, 1300 WATTS, 39" LENGTH, 230 V.	205221013	\$306
	DRAIN PAN, 46" LENGTH	20248901	\$461
ASL25-58E	DEFROST HEATERS, CORE, 1970 WATTS, 48" LENGTH, 230 V.	200172026	\$329
	DRAIN PAN	202489001	\$461
ASL35-70E	DEFROST HEATERS, CORE, 1850 WATTS, 62" LENGTH, 230 V.	205221016	\$482
	DRAIN PAN, 69" LENGTH	20248902	\$553
ASL45-94E	DEFROST HEATERS, CORE, 1250 WATTS, 42" LENGTH, 230 V. (2 REQ'D)	205221007	\$397
	DRAIN PAN, 92" LENGTH	20248903	\$612
ASL55-117E	DEFROST HEATERS, CORE, 1600 WATTS, 54" LENGTH, 230 V. (2 REQ'D)	205221010	\$455
	DRAIN PAN, 115" LENGTH	20248904	\$670
ALL "ASL-E" MODELS	DEFROST CONTROL, NON-ADJUSTABLE, 3 WIRE	103079002	\$137
ALL "ASL-E" MODELS	HEATER SAFETY SWITCH, 2 WIRE	103079003	\$125
ALL "ASL" MODELS	FAN BLADES, 10" DIAM., 31° PITCH, CCW, HUBLESS, 1/4" BORE	204395018	\$53
ALL "ASL" MODELS	FAN GUARD, WIRE, EPOXY COATED, 10", (WHITE)	08397053	\$99
ALL "ASL" MODELS	MOTOR MOUNT	10243000	\$99
ALL "ASL" MODELS Shaded Pole Motors	MOTOR, SHADED POLE , 16 WATT, 1550 RPM, 115 V.	103104007	\$195
	MOTOR, SHADED POLE , 16 WATT, 1550 RPM, 230 V.	103104008	\$195
ALL "ASL" MODELS Permanent Split Capacitor Motors	MOTOR, PSC , 16 WATT, 1550 RPM, 115 V.	107933001	\$397
	MOTOR, PSC , 16 WATT, 1550 RPM, 230 V. (Use 107933003)	107933002	NLA
ALL MODELS	MOTOR, ECM , 16 WATT, 1550 RPM, 115 V.	107933006	\$690
Electronically Commutated Motors	MOTOR, ECM , 16 WATT, 1550 RPM, 230 V.	107933003	\$716

ASLA & ASLE

ASLE 25-46	DEFROST HEATERS, CORE, 1300 WATTS, 39" LENGTH, 230 V.	205221013	\$306
	DRAIN PAN	202489001	\$461
ASLE 25-58	DEFROST HEATERS, CORE, 1970 WATTS, 48" LENGTH, 230 V.	200172026	\$329
	DRAIN PAN	202489001	\$461
ASLE 35-70	DEFROST HEATERS, CORE, 1850 WATTS, 62" LENGTH, 230 V.	205221016	\$482
	DRAIN PAN	202489002	\$553
ASLE 45-94	DEFROST HEATERS, CORE, 1250 WATTS, 42" LENGTH, 230 V. (2 REQ'D)	205221007	\$397
	DRAIN PAN	202489003	\$612
ASLE55-117	DEFROST HEATERS, CORE, 1600 WATTS, 54" LENGTH, 230 V. (2 REQ'D)	205221010	\$455
	DRAIN PAN	202489004	\$670
ASLE 65-150	DEFROST HEATERS, CORE, 1850 WATTS, 62" LENGTH, 230 V. (2 REQ'D)	205221016	\$482
	DRAIN PAN	22118700	\$553
ALL "ASLE" MODELS	DEFROST CONTROL, DEFROST TERMINATION, (TIMER RESET) 2 WIRE (USE 082197)	103079010	NLA
ALL "ASLE" MODELS	DEFROST CONTROL, DEFROST TERMINATION, (TIMER RESET) 2 WIRE	0821973	\$137
ALL "ASLE" MODELS	DEFROST CONTROL, FAN DELAY, 2 WIRE	103079009	\$137
ALL "ASLE" MODELS	HEATER SAFETY SWITCH, 2 WIRE	103079003	\$125
ALL "ASL" MODELS	FAN BLADES, 10" DIAM., 31° PITCH, CCW, HUBLESS, 1/4" BORE	204395018	\$53
ALL "ASL" MODELS	FAN GUARD, WIRE, EPOXY COATED, 10"	201006002	\$99
ALL "ASL" MODELS Shaded Pole Motors	MOTOR, SHADED POLE , 16 WATT, 1550 RPM, 115 V.	103104007	\$195
	MOTOR, SHADED POLE , 16 WATT, 1550 RPM, 230 V.	103104008	\$195
ALL "ASL" MODELS Permanent Split Capacitor Motors	MOTOR, PSC , 16 WATT, 1550 RPM, 115 V.	107933001	\$397
	MOTOR, PSC , 16 WATT, 1550 RPM, 230 V. (USE 107933003)	107933002	NLA
ALL MODELS	MOTOR, ECM , 16 WATT, 1550 RPM, 115 V.	107933006	\$690
Electronically Commutated Motors	MOTOR, ECM , 16 WATT, 1550 RPM, 230 V.	107933003	\$716

MINI TWIN TEMP - MODELS MTW

MODEL NUMBER	DESCRIPTION	PART NUMBER	LIST PRICE
MTW18-8	DRAIN PAN (VENTURI)	20317800	\$180
MTW28-13	DRAIN PAN (VENTURI)	20317900	\$238
MTW28-18	DRAIN PAN (VENTURI)	20317900	\$238
MTW38-27	DRAIN PAN (VENTURI)	203176000	\$245
ALL "MTW" MODELS	FAN BLADES, 6" DIAM., 21° PITCH, CW, 1/4" BORE, PLASTIC	105849001	\$58
ALL "MTW" MODELS	FAN GUARD, PLASTIC, 6"	205932000	\$90
ALL "MTW" MODELS	MOTOR, SKELETON FRAME, SHADED POLE, 43 WATT INPUT, 3000 RPM, 115 V	102249005	\$166
	MOTOR, SKELETON FRAME, SHADED POLE, 43 WATT INPUT, 3000 RPM, 230 V	102249007	\$166
ALL "MTW" MODELS	MOTOR MOUNT	12003600	\$49

MULLION TEMP - MODELS MUF, MDF, WAX

ALL 27-13, AND 27-17 MODELS	DRAIN PAN	20782200	\$139
ALL 37-23 MODELS	DRAIN PAN	20988300	\$170
ALL MUF AND WAX MODELS	FAN BLADES, 5" DIAM., CCW , PLASTIC	105849004	\$43
ALL MDF MODELS	FAN BLADES, 5" DIAM., CW, PLASTIC	105849002	\$43
ALL MDF MODELS	FAN GUARD, Plastic 5"	207824000	\$88
ALL MODELS	MOTOR, SKELETON FRAME, SHADED POLE, 43 WATT INPUT, 3000 RPM, 115 V	102249005	\$166
	MOTOR, SKELETON FRAME, SHADED POLE, 43 WATT INPUT, 3000 RPM, 230 V	102249007	\$166

SLIM TEMP - MODELS SL, AIR AND ELECTRIC DEFROST

SLE- ALL MODELS	DEFROST TERMINATION / FAN DELAY 3 WIRE NON-ADJUSTABLE	103079002	\$137
SL15-9E	DEFROST HEATER, CORE, 420 WATTS, 10" LENGTH, 115 V.	NLA	-
	DEFROST HEATER, CORE, 420 WATTS, 10" LENGTH, 230 V.	NLA	-
SL15-11E	DEFROST HEATERS, CORE, 500 WATTS, 14" LENGTH, 115 V.	NLA	-
	DEFROST HEATERS, CORE, 500 WATTS, 14" LENGTH, 230 V.	NLA	-
SL25-15E	DEFROST HEATERS, CORE, 700 WATTS, 17" LENGTH, 115 V.	NLA	-
	DEFROST HEATERS, CORE, 700 WATTS, 17" LENGTH, 230 V.	NLA	-
SL25-20E	DEFROST HEATERS, CORE, 900 WATTS, 24" LENGTH, 115 V.	NLA	-
	DEFROST HEATERS, CORE, 900 WATTS, 24" LENGTH, 230 V.	NLA	-
SL35-26E	DEFROST HEATERS, CORE, 1300 WATTS, 33" LENGTH, 115 V.	NLA	-
	DEFROST HEATERS, CORE, 1300 WATTS, 33" LENGTH, 230 V.	NLA	-
SL45-33E	DEFROST HEATERS, CORE, 1600 WATTS, 41" LENGTH, 115 V.	NLA	-
	DEFROST HEATERS, CORE, 1600 WATTS, 41" LENGTH, 230 V.	NLA	-
SL55-44E	DEFROST HEATERS, CORE, 2100 WATTS, 56" LENGTH, 115 V.	NLA	-
	DEFROST HEATERS, CORE, 2100 WATTS, 56" LENGTH, 230 V.	NLA	-
SL35-58E	DEFROST HEATERS, CORE, 2200 WATTS, 56" LENGTH, 230 V.	200172027	\$364
SL35-70E	DEFROST HEATERS, CORE, 1220 WATTS, 30 LENGTH, 230 V. (1 REQ'D)	200172023	\$343
	DEFROST HEATERS, CORE, 1760 WATTS, 42 LENGTH, 230 V. (1 REQ'D)	205221007	\$397
SL45-87E	DEFROST HEATERS, CORE, 1300 WATTS, 39 LENGTH, 230 V. (1 REQ'D)	205221013	\$306
	DEFROST HEATERS, CORE, 1970 WATTS, 48 LENGTH, 230 V. (1 REQ'D)	200172026	\$329
SL17-10, SL15-9E	DRAIN PAN	NLA	-
SL17-13, SL15-11E	DRAIN PAN	NLA	-
SL27-17, SL25-15E	DRAIN PAN	NLA	-
SL27-23, SL25-20E	DRAIN PAN	NLA	-
SL37-30, SL35-26E	DRAIN PAN	NLA	-
SL47-37, SL45-33E	DRAIN PAN	NLA	-
SL57-50, SL55-44E	DRAIN PAN	NLA	-
SL35-58E	DRAIN PAN	NLA	-
SL35-70E	DRAIN PAN	NLA	-
SL45-87E	DRAIN PAN	NLA	-
SL15-9(E) THRU SL55-44(E)	FAN BLADES, 6" DIAM., 21° PITCH, CW , 1/4" BORE, PLASTIC	105849001	\$58
SL35-58(E), SL35-70(E), SL45-87(E)	FAN BLADES, 10" DIAM., 31° PITCH, CCW , HUBLESS, 1/4" BORE	204395018	\$53
SL15-9(E) THRU SL55-44(E)	FAN GUARD, PLASTIC, 6"	205932000	\$90
SL35-58(E), SL35-70(E), SL45-87(E)	FAN GUARD, WIRE, EPOXY COATED, 10", (WHITE)	08397053	\$99
	MOTOR, SKELETON FRAME, SHADED POLE, 43 WATT INPUT, 3000 RPM, 115 V	102249005	\$166
SL15-9(E) THRU SL55-44(E)	MOTOR, SKELETON FRAME, SHADED POLE, 43 WATT INPUT, 3000 RPM, 230 V	102249007	\$166
SL35-58(E), SL35-70(E), SL45-87(E)	MOTOR, SHADED POLE, 16 WATT, 1550 RPM, 115 V.	103104007	\$195
	MOTOR, SHADED POLE, 16 WATT, 1550 RPM, 230 V.	103104008	\$195
SL15-9(E) THRU SL55-44(E)	MOTOR MOUNT, 43 WATT	12003600	\$49
SL35-58(E), SL35-70(E), SL45-87(E)	MOTOR MOUNT, 16 WATT	10243000	\$99

NLA - NO LONGER AVAILABLE

SLIM TEMP - MODELS SLA

MODEL NUMBER	DESCRIPTION	PART NUMBER	LIST PRICE
SLA 17-10	DRAIN PAN (VENTURI)	20997400	\$180
SLA 17-13	DRAIN PAN (VENTURI)	20997600	\$198
SLA27-17	DRAIN PAN (VENTURI)	20997800	\$233
SLA27-23	DRAIN PAN (VENTURI)	20996600	\$273
SLA 37-30	DRAIN PAN (VENTURI)	20996800	\$324
SLA 47-40	DRAIN PAN (VENTURI)	20997000	\$357
SLA 57-50	DRAIN PAN (VENTURI)	20997200	\$442
ALL MODELS	FAN BLADES, 6" DIAM., 21° PITCH, CW, PLASTIC	105849001	\$58
ALL MODELS	FAN GUARD, PLASTIC,(CLEAR), 6"	205932000	\$90
ALL MODELS	MOTOR, SKELETON FRAME, SHADED POLE, 43 WATT INPUT, 3000 RPM, 115 V	102249005	\$166
	MOTOR, SKELETON FRAME, SHADED POLE, 43 WATT INPUT, 3000 RPM, 230 V	102249007	\$166
ALL MODELS	MOTOR MOUNT	12003600	\$49

SLIM TEMP - MODELS SLE

ALL "SLE" MODELS	DEFROST CONTROL, DEFROST TERMINATION, (TIMER RESET) 2 WIRE	103079010	NLA
ALL "SLE" MODELS	DEFROST CONTROL, FAN DELAY, 2 WIRE	103079009	\$137
SLE 15-9	DEFROST HEATER, 400 WATTS, 10-1/4" LENGTH, 115V.	220150001	\$232
	DEFROST HEATER, 400 WATTS, 10-1/4" LENGTH, 230V.	220150031	\$265
	DRAIN PAN	20997400	\$180
SLE 15-12	DEFROST HEATER, 500 WATTS, 14-1/4" LENGTH, 115V.	220150002	\$233
	DEFROST HEATER, 500 WATTS, 14-1/4" LENGTH, 230V.	220150032	\$269
	DRAIN PAN	20997600	\$198
SLE 25-16	DEFROST HEATER, 700 WATTS, 17-3/4" LENGTH, 115V.	220150003	\$268
	DEFROST HEATER, 700 WATTS, 17-3/4" LENGTH, 230V.	220150033	\$257
	DRAIN PAN	20997800	\$233
SLE 25-21	DEFROST HEATER, 700 WATTS, 17-3/4" LENGTH, 115V.	220150003	\$268
	DEFROST HEATER, 700 WATTS, 17-3/4" LENGTH, 230V.	220150033	\$257
	DRAIN PAN	20998000	\$273
SLE 25-28	DEFROST HEATER, 900 WATTS, 25-1/4" LENGTH, 115V.	220150004	\$296
	DEFROST HEATER, 900 WATTS, 25-1/4" LENGTH, 230V.	220150034	\$354
	DRAIN PAN	20998200	\$335
SLE 35-36	DEFROST HEATER, 1200 WATTS, 32-1/4" LENGTH, 115V.	220150005	\$328
	DEFROST HEATER, 1200 WATTS, 32-1/4" LENGTH, 230V.	220150035	\$384
	DRAIN PAN	20998400	\$373
SLE 45-54	DEFROST HEATER, 1500 WATTS, 42" LENGTH, 115V.	220150006	\$416
	DEFROST HEATER, 1500 WATTS, 42" LENGTH, 230V.	220150036	\$422
	DRAIN PAN	20998600	\$461
SLE 35-70	DEFROST HEATER, 2300 WATTS, 69-1/4" LENGTH, 230V.	220150037	\$473
	DRAIN PAN	20998800	\$509
SLE 15-9 THRU 25-16	FAN BLADES, 6" DIAM., 21° PITCH, CW, PLASTIC	105849001	\$58
	FAN GUARD, PLASTIC,(CLEAR), 6"	205932000	\$90
SLE 25-21 THRU 45-54	FAN BLADES, 8" DIAM., 31° PITCH, CCW	204395010	\$49
	FAN GUARD, PLASTIC,(CLEAR), 8"	206569000	\$92
SLE 35-70	FAN BLADES, 10" DIAM., 31° PITCH, CCW	204395018	\$53
	FAN GUARD, WIRE, EPOXY COATED, 10" (WHITE)	8397053	\$99
SLE 15-9 THRU 25-16	MOTOR, SKELETON FRAME, SHADED POLE, 43 WATT INPUT, 3000 RPM, 115 V	102249005	\$166
	MOTOR, SKELETON FRAME, SHADED POLE, 43 WATT INPUT, 3000 RPM, 230 V	102249007	\$166
SLE 25-21 THRU 45-54	MOTOR, SKELETON FRAME, SHADED POLE, 9 WATT, 1550 RPM, 115 V.	103104004	\$164
	MOTOR, SKELETON FRAME, SHADED POLE, 9 WATT, 1550 RPM, 230 V.	103104005	\$164
	MOTOR, ECM , 16W, 1550 RPM, 115V	107933006	\$690
	MOTOR, ECM , 16W, 1550 RPM, 230V	107933003	\$716
SLE 35-70	MOTOR, SKELETON FRAME, SHADED POLE, 16 WATT, 1550 RPM, 115 V.	103104007	\$195
	MOTOR, SKELETON FRAME, SHADED POLE, 16 WATT, 1550 RPM, 230 V.	103104008	\$195
SLE 15-9 THRU 25-16	MOTOR MOUNT	12003600	\$49
SLE 25-21 THRU 45-54	MOTOR MOUNT	12003000	\$53
SLE 35-70	MOTOR MOUNT	10243000	\$99

SLIM TEMP - SPECIAL SLB

SLB- ALL MODELS	SERPENTINE HEATER, 1400WATTS, 230V	NLA	-
-----------------	------------------------------------	-----	---

NLA - NO LONGER AVAILABLE

T-TEMP - MODELS TT

MODEL NUMBER	DESCRIPTION	PART NUMBER	LIST PRICE
TT18-8	DRAIN PAN (VENTURI)	20316400	\$180
TT28-13	DRAIN PAN (VENTURI)	20316501	\$198
TT28-17	DRAIN PAN (VENTURI)	20316502	\$233
ALL "TT" MODELS	FAN BLADES, 6" DIAM., 21° PITCH, CW , 1/4" BORE, PLASTIC	105849001	\$58
ALL "TT" MODELS	FAN GUARD, PLASTIC,(CLEAR), 6"	205932000	\$90
ALL "TT" MODELS	MOTOR, SKELETON FRAME, SHADED POLE, 43 WATT INPUT, 3000 RPM, 115 V.	102249005	\$166
ALL "TT" MODELS	MOTOR, SKELETON FRAME, SHADED POLE, 43 WATT INPUT, 3000 RPM, 230 V.	102249007	\$166
ALL "TT" MODELS	MOTOR MOUNT	12003600	\$49

TWIN TEMP - MODELS TW

TW17-9, TW17-12, TW17-18	DRAIN PAN (VENTURI)	20870100	\$159
TW17-25, TW17-35	DRAIN PAN (VENTURI)	20873500	\$159
TW17-45, TW17-55, TW18-65	DRAIN PAN (VENTURI)	20874600	\$306
TW17-75, 18-85, TW17-105, TW18-120	DRAIN PAN (VENTURI)	10574400	\$328
TW17-150,180	DRAIN PAN (VENTURI)	NLA	-
TW17-9	FAN BLADES, 8" DIAM., 20° PITCH, CCW, HUBLESS	204395008	\$49
TW17-12, TW17-18	FAN BLADES, 8" DIAM., 31° PITCH, CCW , HUBLESS	204395010	\$49
TW17-25, TW17-35	FAN BLADES, 10" DIAM., 20° PITCH, CW , HUBLESS	204395015	\$53
TW17-45	FAN BLADES, 12" DIAM., 18° PITCH, CCW , 5/16" BORE	214118000	\$159
TW17-55	FAN BLADES, 12" DIAM., 23° PITCH, CCW , 5/16" BORE	08221169	\$77
TW18-65	FAN BLADES, 12" DIAM., 23° PITCH, CCW , 5/16" BORE	08221169	\$77
TW17-75, TW18-85, TW17-105, TW18-120	FAN BLADES, 16" DIAM., 16° PITCH, CCW , 1/2" BORE	11904	\$215
TW17-150, TW27-300	FAN BLADES, 18" DIAM., 18° PITCH, CCW , 1/2" BORE	NLA	-
TW17-180	FAN BLADES, 18" DIAM., 18° PITCH, CCW , 1/2" BORE	NLA	-
TW27-240	FAN BLADES, 16" DIAM., 23° PITCH, CCW , 1/2" BORE	NLA	-
TW17-9, TW17-12, TW17-18	FAN GUARD, PLASTIC, 8"	206569000	\$92
TW17-25, TW17-35	FAN GUARD, WIRE, EPOXY COATED , 10", (WHITE)	08397053	\$99
TW17-45, TW17-55, TW18-65	FAN GUARD, WIRE, EPOXY COATED , 12"	201006011	\$99
TW17-75, TW18-85, TW17-105, TW18-120, TW27-240	FAN GUARD, WIRE, EPOXY COATED , 16"	201006004	\$134
TW17-150 THRU TW27-300	FAN GUARD, WIRE, EPOXY COATED , 18"	NLA	-
TW17-9, TW17-12	MOTOR, SHADED POLE, 4 WATT,1550 RPM, 115 V. (USE 103104004)	NLA	-
	EVAP MTR, ECM , 16 W, 1550 RPM, 115v	107933006	\$690
	MOTOR, SHADED POLE, 9 WATT, 1550 RPM, 115 V.	103104004	\$164
	MOTOR, SHADED POLE, 9 WATT, 1550 RPM, 230 V.	103104005	\$164
TW17-18, TW17-25, TW17-35	MOTOR, ECM , 16 WATT, 1550 RPM, 115V	107933006	\$690
	MOTOR, ECM , 16 WATT, 1550 RPM, 208-230V	107933003	\$716
	MOTOR, SHADED POLE, 1/20 HP, 1550 RPM, 115 V.	08216072	\$212
	MOTOR, SHADED POLE, 1/20 HP, 1550 RPM, 230 V.	08216071	\$212
TW17-45, TW17-55, TW18-65	MOTOR, ECM , 1/30 HP, 1550 RPM, 115V	08216126	\$806
	MOTOR, ECM , 1/30 HP, 1550 RPM, 230V	08216127	\$841
TW17-75, TW18-85, TW17-105, TW18-120, TW27-240	MOTOR, SHADED POLE KIT, 1/12 HP, 1050 RPM, 115 V.	08216119	\$594
	SHADED POLE MOTOR ASSY, 1/12 HP, 115-230V	08522774	\$800
TW17-150, TW17-180, TW27-300	MOTOR, SHADED POLE, 1/6 HP, 1050 RPM, 115/230/1 V.	NLA	-
TW17-9, TW17-12	MOTOR MOUNT (SPECIFY UNIT MODEL AND SERIAL NUMBERS WHEN ORDERING)	NLA	-
TW17-18	MOTOR MOUNT (SPECIFY UNIT MODEL AND SERIAL NUMBERS WHEN ORDERING)	10870202	\$690
TW17-25	MOTOR MOUNT (SPECIFY UNIT MODEL AND SERIAL NUMBERS WHEN ORDERING)	10873801	\$716
TW17-35	MOTOR MOUNT (SPECIFY UNIT MODEL AND SERIAL NUMBERS WHEN ORDERING)	10873802	\$76
TW17-45	MOTOR MOUNT (SPECIFY UNIT MODEL AND SERIAL NUMBERS WHEN ORDERING)	10874700	\$43
TW17-55, TW18-65	MOTOR MOUNT (SPECIFY UNIT MODEL AND SERIAL NUMBERS WHEN ORDERING)	10874800	\$130
TW17-75 THRU TW17-180	MOTOR MOUNT (SPECIFY UNIT MODEL AND SERIAL NUMBERS WHEN ORDERING)	10019700	\$153
TW27-210 THRU TW27-240	MOTOR MOUNT (SPECIFY UNIT MODEL AND SERIAL NUMBERS WHEN ORDERING)	10101200	-
TW27-300	MOTOR MOUNT (SPECIFY UNIT MODEL AND SERIAL NUMBERS WHEN ORDERING)	10575000	-

NLA - NO LONGER AVAILABLE

WALL TEMP - MODELS WA

MODEL NUMBER	DESCRIPTION	PART NUMBER	LIST PRICE
WA17-6	DRAIN PAN (VENTURI)	105633001	\$158
	FAN BLADES, 8" DIAM., 20° PITCH, CCW , HUBLESS	204395008	\$49
	FAN GUARD, PLASTIC, 8"	206569000	\$92
	MOTOR, SHADED POLE, 4 WATT,1550 RPM, 115 V. (USE 103104004)	NLA	-
	MOTOR, ECM , 16 WATT, 1550 RPM, 115V	107933006	\$690
WA17-9	DRAIN PAN (VENTURI)	105633001	\$158
	FAN BLADES, 8" DIAM., 20° PITCH, CCW , HUBLESS	204395008	\$49
	FAN GUARD, PLASTIC, 8"	206569000	\$92
WA17-12, WA17-18	DRAIN PAN (VENTURI)	105633002	\$158
	FAN BLADES, 8" DIAM., 31° PITCH, CCW , HUBLESS	204395010	\$49
	FAN GUARD, PLASTIC, 8"	206569000	\$92
MOTORS: WA17-9, WA17-12, WA17-18	MOTOR, SHADED POLE, 9 WATT, 1550 RPM, 115 V.	103104004	\$164
	MOTOR, SHADED POLE, 9 WATT, 1550 RPM, 230 V.	103104005	\$164
	MOTOR, ECM , 16 WATT, 1550 RPM, 115V	107933006	\$690
	MOTOR, ECM , 16 WATT, 1550 RPM, 208-230V	107933003	\$716
WA17-25, WA17-35	DRAIN PAN (VENTURI)	20192600	\$164
	FAN BLADES, 10" DIAM., 20° PITCH, CCW , 5/16" BORE	204395016	\$53
	FAN GUARD, WIRE, EPOXY COATED, 10", (WHITE)	08397053	\$99
	MOTOR, SHADED POLE, 1/20 HP, 1550 RPM, 115 V.	08216072	\$212
	MOTOR, SHADED POLE, 1/20 HP, 1550 RPM, 230 V.	08216071	\$212
	MOTOR, ECM , 1/30 HP, 1550 RPM, 115V	08216126	\$806
WA17-45	MOTOR, ECM , 1/30 HP, 1550 RPM, 230V	08216127	\$841
	DRAIN PAN (VENTURI)	105633004	\$185
	FAN BLADES, 12" DIAM., 23° PITCH, CCW , 1/2" BORE	11860	\$159
	FAN GUARD, WIRE, EPOXY COATED, BLUE, 12"	201006011	\$99
	MOTOR ASSY., 1/12 HP, 115/230 V.	08522774	\$800
	MOTOR, SHADED POLE, 1/12 HP, 1050 RPM, 115/230 V.	08286119	\$595

WEDGE TEMP - MODELS WE

WE17-12	DRAIN PAN (VENTURI)	20193200	\$306
	FAN BLADES, 8" DIAM., 31° PITCH, CCW , HUBLESS	204395010	\$49
	FAN GUARD, PLASTIC, 8"	206569000	\$92
	MOTOR, SHADED POLE, 4 WATT,1550 RPM, 115 V. (USE 103104004)	NLA	-
WE17-15	DRAIN PAN (VENTURI)	20193200	\$306
	FAN BLADES, 8" DIAM., 31° PITCH, CCW , HUBLESS	204395010	\$49
	FAN GUARD, PLASTIC, 8"	206569000	\$92
	MOTOR, SHADED POLE, 9 WATT, 1550 RPM, 115 V.	103104004	\$164
	MOTOR, SHADED POLE, 9 WATT, 1550 RPM, 230 V.	103104005	\$164
WE17-18	DRAIN PAN (VENTURI)	20193000	\$306
	FAN BLADES, 8" DIAM., 31° PITCH, CCW , HUBLESS	204395010	\$49
	FAN GUARD, PLASTIC, 8"	206569000	\$92
	MOTOR, SHADED POLE, 9 WATT, 1550 RPM, 115 V.	103104004	\$164
WE17-25	MOTOR, SHADED POLE, 9 WATT, 1550 RPM, 230 V.	103104005	\$164
	DRAIN PAN (VENTURI)	105633003	\$348
	FAN BLADES, 10" DIAM., 20° PITCH, CCW, HUBLESS	204395016	\$53
	FAN GUARD, WIRE, EPOXY COATED, 10"	08397053	\$99
WE17-35	MOTOR, SHADED POLE, 9 WATT, 1550 RPM, 115 V.	103104004	\$164
	MOTOR, SHADED POLE, 9 WATT, 1550 RPM, 230 V.	20192600	\$164
	DRAIN PAN (VENTURI)	20192400	\$348
	FAN BLADES, 10" DIAM., 31° PITCH, CCW , HUBLESS	204395018	\$53
	FAN GUARD, WIRE, EPOXY COATED, 10"	08397053	\$99
WE17-45, WE18-55	MOTOR, SHADED POLE, 16 WATT, 1550 RPM, 115 V.	103104007	\$195
	MOTOR, SHADED POLE, 16 WATT, 1550 RPM, 230 V.	103104008	\$195
	MOTOR, ECM , 16 WATT, 1550 RPM, 115V	107933006	\$690
EC MOTORS: WE17-12, -15,-18, -25, -35	MOTOR, ECM , 16 WATT, 1550 RPM, 208-230V	107933003	\$716
	DRAIN PAN (VENTURI)	20194000	\$373
WE17-45, WE18-55	FAN BLADES, 12" DIAM., 23° PITCH, CCW , 5/16" BORE	08221169	\$77
	FAN GUARD, WIRE, EPOXY COATED, 12"	201006011	\$99
	MOTOR, SHADED POLE, 1/20 HP, 1550 RPM, 115 V.	08216072	\$212
	MOTOR, SHADED POLE, 1/20 HP, 1550 RPM, 230 V.	08216071	\$212
	MOTOR, ECM , 1/30 HP, 1550 RPM, 115V	08216126	\$806
	MOTOR, ECM , 1/30 HP, 1550 RPM, 230v	08216127	\$841
NOTE: CHECK "CS" FOR STYLE OF 1/20 HP MOTOR FOR WE-17-45, 18-55, AND 28-110			
WE28-110	DRAIN PAN / VENTURI (220061 OR 220061BLK)	NLA	-
	FAN BLADES, 12" DIAM., 19° PITCH, CCW , 5/16" BORE	11860	\$159
	FAN GUARD, WIRE, EPOXY COATED, 12"	201006011	\$99
	MOTOR, SHADED POLE, 1/20 HP, 1550 RPM, 115 V.	102540001	\$212
	MOTOR, SHADED POLE, 1/20 HP, 1550 RPM, 230 V.	102540002	\$230

MULTICON AIR COOLED CONDENSERS - Common Parts

MODEL NUMBER	DESCRIPTION	PART NUMBER	LIST PRICE
COMMON PARTS	Disconnect, thru the door, 30A	08218990	\$566
	Disconnect, thru the door, 60A	08218991	\$675
	Disconnect, thru the door, 80A	08218992	\$892
	Disconnect, thru the door, 100A	08218993	\$956
	Disconnect, thru the door, 30A, 18" / 22" fans	08218379	\$447
	Contactora, 3P, 25-30A, 24V control	08219028	\$97
	Contactora, 3P, 25-30A, 115V control	08219002	\$97
	Contactora, 3P, 25-30A, 208-230V control	08219018	\$105
	Contactora, 3P, 25-30A, 460V control	08219012	\$108
	Contactora, NEMA1,3P,27A,208-230V control	104461733	\$718
	Fan Cycling, Pressure, Standard, R12,R22,R404A,R134A	08219003	\$389
	Fan Cycling, Ambient, Standard, R12,R22,R404A,R134A	08219006	\$173
	Fan Cycling, Pressure, R410A	08219463	\$433
	P66, Single Tap, R22/R404	08219427	\$1,147
	P66, Dual Tap, R22/R404	08219429	\$1,796
	P66, Single Tap, R134A	08219437	\$1,018
	P66, Single Tap,R410A	08219461	\$1,592
	P66,Dual Tap, R410A	08219462	\$2,213
Shut Off Valve (P66 and Pressure cycling)	08356559	\$181	

SMALL AIR COOLED CONDENSERS - MODELS RDS

MODEL NUMBER	DESCRIPTION	PART NUMBER	LIST PRICE
Models 001 thru 011	MOTOR, .33 HP, 1140RPM, 208-230/3/60/5C	08216106	\$519
	MOTOR, PSC, .33 HP, 1140RPM, 208-230/1/60/5C	205051004	\$396
	5 MFD CAPACITOR FOR MOTOR 205051004	202163004	\$47
	FAN BLADE, 22" DIA., 28° PITCH, 5/8" bore.	08221154	\$134
	MOTOR, PSC, .33 HP, 1140 RPM, 208-230/1/60/50 for use with P-66	08216008	\$643
	15 MFD CAPACITOR FOR MOTOR 008216008	08352607	\$51
	MOTOR, .33 HP, 1140 RPM, 460/3/60/50	08216107	\$861
	MOTOR, PSC, .33 HP, 1140 RPM, 460/1/60/50 for use with P-66	08216009	\$661
	15 MFD CAPACITOR FOR MOTOR 08216009	08352607	\$51
	MOTOR, .25 HP, 850 RPM, 208-230/460/3/60/50	08216075	\$1,215
	MOTOR, PSC, .25 HP, 850 RPM, 208-230/1/60/50 (Cap. On motor)	08216076	\$1,029
	MOTOR, TOTALLY ENCL., 1/2 HP, 1140 RPM, 208-230/460/3/60/50	08352607	\$51
	MOTOR, PSC, TOT. ENCL., 1/2 HP, 1140 RPM, 208-230//460/1/60/50	08216081	\$974
	MOTOR MOUNT FOR .33 HP MOTORS	08397056	\$207
	MOTOR MOUNT FOR .25 HP MOTOR 08216075 & 08216046 WITH 22" FAN	08519019	\$207
	MOTOR MOUNT FOR .25 HP MOTOR 08216075 & 08216046 WITH 18" FAN	08519022	\$207
	FAN GUARD, 18" DIAM., EPOXY COATED WIRE.	08397011	\$127
	FAN GUARD, 22" DIAM., EPOXY COATED WIRE.	08397012	\$152
MODELS 001 & 002	FAN BLADE, 18" DIAM., 34° PITCH, CW, 5/8" BORE (for 1140 RPM MTRS)	08221022	\$136
MODELS 003 thru 011	FAN BLADE, 22" DIAM., 28° PITCH, 1/2" BORE (for 1140 RPM MTRS)	08221154	\$134
MODELS 001 & 002	FAN BLADE, 18" DIAM., 34° PITCH, CW, 1/28" BORE (for 850 RPM MTRS)	08221076	\$131
MODELS 003 thru 009	FAN BLADE, 22" DIAM., 28° PITCH, 5/8" BORE. (for 850 RPM MTRS)	08221023	\$134

LARGE AIR COOLED CONDENSERS - MODELS RDS/RDD

MODEL NUMBER	DESCRIPTION	PART NUMBER	LIST PRICE
1140 RPM MODELS RDS009 THRU RDD229	MOTOR, 1.5 HP, 1140 RPM, 208-230/460/3/60/5C	110204000	\$1,672
	MOTOR, 1.5 HP, 1140 RPM, 575/3/60	118570001	\$2,494
	MOTOR, TOTALLY ENCLOSED, 1.5 HP, 1140 RPM, 208/230/3/60/50	08216154	\$2,801
	FAN BLADE, 30" DIAM., 24° PITCH, 4 BLADE, CW, 5/8 BORE	08221151	\$522
	MOTOR, 1.0 HP, 1140 RPM, 208-230/1/60/50 (USE WITH P-66 CONTROLLER)	08216098	\$2,329
	30 MFD CAPACITOR FOR MOTOR 008216098 (USE WITH P-66 CONT)	08352555	\$75
	FAN BLADE, 30" DIAM., 21° PITCH, 3 BLADE, CW, 5/8 BORE (USE WITH P-66)	08221180	\$432
	MOUNT FOR 1140 RPM MOTORS ABOVE	08522568	\$462
FAN GUARD, 30" DIAM., EPOXY COATED WIRE.	08221151	\$522	
850 RPM MODELS RDS009 THRU RDD213	MOTOR, 1.5 HP, 850 RPM, 208-230/460/3/60/5C	08216100	\$2,329
	FAN BLADE, 30" DIAM., 31° PITCH, 5 BLADE, CW, 5/8 BORE (use with 08216100)	08221152	\$289
	MOTOR, 1.0 HP, 850 RPM, 208-230/460/3/60/50	114105000	\$2,329
	MOTOR, 1.0 HP, 850 RPM, 575/3/60	114105002	\$2,844
	MOTOR, 1.0 HP, 850 RPM, 380/3/60	114105001	\$2,446
	FAN BLADE, 30" DIAM., 28° PITCH, 4 BLADE, CW, 5/8 BORE (for 1 HP's above)	08221151	\$522
	MOUNT FOR 850 RPM MOTORS ABOVE	08522568	\$462
FAN GUARD, 30" DIAM., EPOXY COATED WIRE.	08397044	\$214	
550 RPM MODELS RDS008 THRU RDD158	MOTOR, 1/3 HP, 550 RPM, 208-230/460/3/60/5C	119226000	\$1,290
	METAL FAN BLADE, 30" DIAM., 31° PITCH, 5 BLADE, CW, 5/8 BORE	08221152	\$289
	SWEPT WING FAN, 30" DIAM., 25° PITCH, CW, 1/2 BORE	08221181	\$522
	FAN BLADE, 30" FB II	121424000	\$734
	MOUNT FOR 550 RPM MOTORS ABOVE	08522568	\$462
	FAN GUARD, 30" DIAM., EPOXY COATED WIRE. (Not for FB II)	08397044	\$214
VSEC MODELS RDS011 THRU 250	FAN GUARD, 30" DIAM. FOR FB II FANS	119397000	\$139
	SHEET METAL STACK FOR FB II FANS	08518318	\$214
	ELECTRONICALLY COMMUTATED MOTOR & FAN ASSEMBLY, 460/3/6C	08216161	\$8,577
	ELECTRONICALLY COMMUTATED MOTOR & FAN ASSEMBLY, 208-230/3/60	C/F	C/F

MULTICON AIR COOLED CONDENSERS - MODELS VAC, VEQ (1 - 4)

MODEL NUMBER	DESCRIPTION	PART NUMBER	LIST PRICE
VAC 1 - 2 & VEQ 1 - 2	FAN BLADES, 16" DIAM., 34° PITCH, CW, 5/8" BORE	08221022	\$136
VAC 4 & VEQ 3	FAN BLADES, 22" DIAM., 28° PITCH, CW, 5/8" BORE	08221023	\$134
VAC 1 - 2 & VEQ 1 - 2	FAN GUARD, WIRE, EPOXY COATED, 16"	08397006	\$102
VAC 4 & VEQ 3	FAN GUARD, WIRE, EPOXY COATED, 22"	08397012	\$152
VAC 1 - 4	MOTOR, SHADED POLE, 1/2 HP, 1140 RPM, 208-230/460/1	08216006	\$781
VAC 1 - 4	MOTOR, SHADED POLE, 1/2 HP, 1140 RPM, 208-230/460/3	08216007	\$1,370
VEQ 1 & 3	MOTOR, SHADED POLE, 1/4 HP, 825 RPM, 208-230/460/1	08216076	\$1,029
VEQ 2 & 3	MOTOR, SHADED POLE, 1/4 HP, 825 RPM, 208-230/460/3	08216075	\$1,215

MULTICON AIR COOLED CONDENSERS AND FLUID COOLERS - MODELS VAC, VEQ, FVAC

VAC, AND FVAC 5 THRU 19	FAN BLADES, 24" DIAM., 30° PITCH, CW, 1/2" BORE (Replaces Part Number 213455000)	08221050	\$328
	FAN GUARD, WIRE, EPOXY COATED, 24"	202136001	\$482
	MOTOR, PSC, 3/4 HP, 1075RPM, 208-230/60/1	205051009	\$1,044
	MOTOR, PSC, 3/4 HP, 1075RPM, 460/1/60	205051002	\$1,149
	MOTOR, 3/4 HP, 1140 RPM, 230/460/3/60	205051012	\$1,713
	MOTOR, PSC, 1/2 HP, 1075RPM, 575/1/60	115952000	\$942
	MOTOR MOUNT, 24"	205269000	\$232
	CAPACITOR, 7.5 MFD, 208/1/60 MOTORS ONLY	202163006	\$51
VAC AND FVAC 22 THRU 216	CAPACITOR, 5 MFD, 230/460/1/60 MOTORS ONLY (Replaces Part Number 202163007)	202163004	\$47
	FAN BLADES, 30" DIAM., 24° PITCH, CW, 5/8" BORE (Replaces Part Number 210385000)	08221151	\$522
	FAN GUARD, WIRE, EPOXY COATED, 30"	202136011	\$189
	MOTOR, 1-1/2 HP, 1140 RPM, 208-230/460/3/60	110204000	\$1,672
VEQ 21 thru VEQ 189	MOTOR, 1-1/2 HP, 1140 RPM, 575/3/60	118570001	\$2,494
	MOTOR MOUNT, 30"	125215001	\$462
	FAN BLADES, 30" DIAM., 24° PITCH, CW, 5/8" BORE (Replaces Part Number 210385000)	08221151	\$522
	FAN GUARD, WIRE, EPOXY COATED, BLACK, 30"	202136011	\$189
	MOTOR, 1 HP, 850 RPM, 208-230/460/3/60	114105000	\$2,329
	MOTOR MOUNT, 30"	125215001	\$462

AIR COOLED CONDENSERS, ACE

ALL MODELS	MOTOR, 1/3 HP, 550 RPM, 208-230/460/3/60/50	119226000	\$1,290
	METAL FAN BLADE, 30" DIAM., 31° PITCH, 5 BLADE, CW, 5/8 BORE	08221152	\$289
	SWEPT WING FAN, 30" DIAM., 25° PITCH, CW, 1/2 BORE	08221181	\$522
	FAN BLADE, 30" FB II	121424000	\$734
	MOUNT FOR 550 RPM MOTORS ABOVE	08522568	\$462
	FAN GUARD, 30" DIAM., EPOXY COATED WIRE. (Not for FB II)	08397044	\$214
	FAN GUARD, 30" DIAM. FOR FB II FANS	119397000	\$139
	SHEET METAL STACK FOR FB II FANS	08518318	\$214

MULTICON AIR COOLED CONDENSERS AND FLUID COOLERS - MODELS RAC, FRAC

RAC, & FRAC 3/4 TO 1	FAN BLADES, 16" DIAM., 27° PITCH, CW, 1/2" BORE	11905	\$198
RAC & FRAC 1-1/2 THRU 3	FAN BLADES, 20" DIAM., 27° PITCH, CW, 1/2" BORE	214040000	\$288
RAC & FRAC 3/4 TO 1	FAN GUARD, WIRE, EPOXY COATED, 16"	201006004	\$134
RAC & FRAC 1-1/2 TO 3	FAN GUARD, WIRE, EPOXY COATED, 20"	201006007	\$236
ALL MODELS	MOTOR, SHADED POLE, 1/6 HP, 1050 RPM, 115/208-230/1	08216025	NLA

MULTICON AIR COOLED CONDENSERS AND FLUID COOLERS - MODELS TD, FTD

ALL MODELS	CAPACITOR, ALL MOTORS, 5 MFD, 208-230/460/1/60	202163004	\$47
ALL MODELS	FAN BLADES, 24" DIAM., 30° PITCH, CW, 1/2" BORE (Replaces Part Number 213455000)	08221050	\$328
ALL MODELS	FAN GUARD, WIRE, EPOXY COATED, 24"	202136001	\$482
ALL MODELS	MOTOR, PSC, 3/4 HP, 1075RPM, 208-230/1/60	205051009	\$1,044
ALL MODELS	MOTOR, PSC, 3/4 HP, 1075RPM, 460/1/60	205051002	\$1,149
ALL MODELS	MOTOR MOUNT, 24"	205269000	\$232

SMALL AIR COOLED CONDENSERS - MODELS ACS, ACL

ALL MODELS	FAN BLADES, 22" DIAM., 29° PITCH, CW, 1/2" BORE	08221154	\$134
	FAN CYCLING CONTROL, PRESSURE	08219003	\$389
	FAN CYCLING CONTROL, AMBIENT	08219006	\$173
	P-66 FAN SPEED CONTROL, SINGLE PORT	08219427	\$1,147
	P-66 FAN SPEED CONTROL, DUAL PORT	08219429	\$1,796
	P-66 FAN SPEED CONTROL	08219437	\$1,018
	CONTACTOR, 24 VOLT COIL, 3 POLE	08219028	\$97
	CONTACTOR, 115 VOLT COIL, 3 POLE	08219002	\$97
	CONTACTOR, 208-230 VOLT COIL, 3 POLE	08219018	\$105
	CONTACTOR, 460 VOLT COIL, 3 POLE	08219012	\$108
	TRANSFORMER, 208-230 TO 24V	08218258	\$68
	TRANSFORMER, 480 TO 24V	08218259	\$71
	MOTOR MOUNT, 22"	08397056	\$207
	ACS 001 THRU 012	MOTOR, PSC, 1/3 HP, 208-230/1, 1075 RPM, CW†‡	08216089
MOTOR, PSC, 1/3 HP, 208-230/3, 1075 RPM, CW†‡		08216106	\$519
MOTOR, PSC, 1/3 HP, 460/1, 1075 RPM, CW†‡		08216088	\$598
MOTOR, PSC, 1/3 HP, 460/3, 1075 RPM, CW†‡		08216107	\$861
MOTOR, PSC, 1/2 HP, 230-460/3, 1075 RPM, CW†‡		08216068	\$1,164
MOTOR, PSC, 1/2 HP, 575/1, 1075 RPM, CW†‡		08216036	\$919
CAPACITOR(LOOSE) 208-230 OR 460 MOTORS, 7.5 MFD		08216057	\$30
ACS 001 THRU 012	MOTOR, PSC, 1/2 HP, 208-230/460/1, 1075 RPM†	08216006	\$781
	MOTOR, REV, 1/2 HP, 208-230/460/3, 1125 RPM, 5/8 SHAFT†	08216007	\$1,370
ACL 001 THRU 011	MOTOR, REV, 1/4 HP, 208-230/460/3, 825 RPM, 5/8 SHAFT†	08216075	\$1,215
	MOTOR, PSC, 1/4 HP, 208-230/460/1, 825 RPM, 5/8 SHAFT†	08216076	\$1,029
ACS, ACL 001 THRU 002	FAN GUARD, WIRE, EPOXY COATED, 18"	08397011	\$127
	MOTOR RAIL 25" (18" FAN)	08519022	\$207
ACS, ACL 003 THRU 012	FAN GUARD, WIRE, EPOXY COATED, 22"	08397012	\$152
	MOTOR RAIL 30" (22" FAN)	08519019	\$207

† FOR USE WITH P-66 FAN SPEED CONTROL MOTOR ONLY

‡ CAPACITOR REQUIRED

MULTICON COMPUTER ROOM AIR COOLED CONDENSER - MODELS CAC

MODEL NUMBER	DESCRIPTION	PART NUMBER	LIST PRICE
CAC 5 THRU CAC 80	FAN BLADES, 24" DIAM., 30° PITCH, CW, 1/2" BORE (Replaces Part Number 213455000)	08221050	\$328
	FAN GUARD, WIRE, EPOXY COATED, 24", BLACK	202136005	\$482
	MOTOR, (HEADER END VARI-SPEED), PSC, 3/4 HP, 1075RPM, 208-230/60/1	205051015	\$1,276
	CAPACITOR, 15 MFD, (FOR 208/230/1/60 VARI-SPEED MOTOR)	08352607	\$51
	MOTOR, (NON-HEADER END), PSC, 3/4 HP, 1075 RPM, 208-230/60/1	205051009	\$1,044
	CAPACITOR, 5 MFD, 230/460/1/60 NON VARI-SPEED MOTORS ONLY	202163004	\$47
	MOTOR, (HEADER END VARI-SPEED), PSC, 3/4 HP, 1075 RPM, 460/60/1 (CAP not included)	205051016	\$1,382
	CAPACITOR, 15 MFD, (FOR 460/1/60 VARI-SPEED MOTOR)	08352607	\$51
	MOTOR, (NON-HEADER END), PSC, 3/4 HP, 1075 RPM, 460/60/1 (CAP not included)	205051002	\$1,149
	CAPACITOR, 5 MFD, 230/460/1/60 NON VARI-SPEED MOTORS ONLY	202163004	\$47
MOTOR MOUNT, 24", ALL CAC MODELS	205269000	\$232	
CBC 27 THRU CBC 164	FAN, (HEADER END ONLY) 24" DIAM., 30° PITCH, CW, 1/2" BORE (Replaces 213455000)	08221050	\$328
	FAN, (NON-HEADER END) 30" DIAM., 24° PITCH, CW, 5/8 " BORE (Replaces 210385000)	08221151	\$522
	FAN GUARD, WIRE, EPOXY COATED, 24", BLACK	202136005	\$482
	FAN GUARD, WIRE, EPOXY COATED, 30", BLACK	202136011	\$189
	MOTOR, (HEADER END VARI-SPEED), PSC, 3/4 HP, 1075 RPM, 208-230/60/1	205051015	\$1,276
	MOTOR, (NON-HEADER END), 1-1/2 HP, 1075 RPM, 208-230/460/60/3	110204000	\$1,672
	MOTOR, (HEADER END VARI-SPEED), PSC, 3/4 HP, 1075 RPM, 460/60/1	205051016	\$1,382
	MOTOR MOUNT, (HEADER END), 24"	205269000	\$232
	MOTOR MOUNT, (NON-HEADER END), 30"	125215001	\$462
ALL CAC/CBC MODELS	MOTOR SPEED CONTROLLER, SINGLE INPUT, 208-230/460/1/60 (P66AAB-6)	204464043	\$1,367
ALL CAC/CBC MODELS	MOTOR SPEED CONTROLLER, DUAL INPUT, 208-230/460/1/60 (P66BAB-3)	204464044	\$1,433
ALL MODELS	TRANSFORMER, CONTROL VOLTAGE, PRIMARY 230 V, SECONDARY 24 V	104532008	\$403
	TRANSFORMER, CONTROL VOLTAGE, PRIMARY 460 V, SECONDARY 24 V	104532021	\$403

NEXT-GEN R-SERIES MINICON - RFH, RFO, RBH, RBO, RVH, RVO

Next Gen "R" SERIES Minicon after 11-2015 - ALL MODELS	FIXED LOW CUT OUT CONTROL - HIGH/MED TEMP MODELS	204464232	\$319
	HIGH CUT OUT CONTROL AUTO RESET - ALL MODELS	08219424	\$98
	ADJUSTABLE LOW CUT OUT CONTROL - STANDARD ON LOW TEMP MODELS	08219422	\$319
Next Gen "R" SERIES Minicon after 11-2015 1/2 THRU 3-1/2 HP MODELS WITH 12" FANS	FAN BLADE, 12" DIAM., 24° PITCH, CCW FOR UNITS WITH PSC MOTORS	08221169	\$77
	FAN BLADE, 12" DIAM., 24° PITCH, CCW FOR UNITS WITH EC MOTORS	08221176	\$76
	MOTOR MOUNT FOR PSC MOTORS WITH 12" FANS	21062000	\$137
	MOTOR MOUNT FOR EC MOTORS WITH 12" FANS	08397068	\$187
	MOTOR, PSC, 1/20 HP, 1550 RPM, 230 V., (CAPACITOR IS PRE-MOUNTED)	08216073	\$331
	MOTOR, PSC, 1/20 HP, 1550 RPM, 460 V., (CAPACITOR IS PRE-MOUNTED)	08216135	\$432
	MOTOR, EC, 50W, 1550 RPM, 230 V	08216125	\$667
	GRILLE, WIRE, BLACK, 16.88" X 15.75"	08397064	\$293
	GRILLE, WIRE, BLACK, 16.88" X 27.75"	08397065	\$328
	GRILLE, WIRE, BLACK, 19.38" X 27.75"	08397066	\$328
	DISCHARGE T-STAT FOR 3/8" DISCHARGE LINE	08352253	\$262
	DISCHARGE T-STAT FOR 1/2" DISCHARGE LINE	118431442	\$211
	FAN BLADE, 24" DIAM., 28° PITCH, CCW FOR PSC AND EC MOTORS	213266000	\$328
	MOTOR MOUNT - WIRE, 24" FOR PSC AND EC MOTORS	212837000	\$223
	MOTOR, PSC, 1/3 HP, 1075 RPM, 208-230/1	205051004	\$396
	MOTOR, PSC, 3/4 HP, 1075 RPM, 460/1	205051002	\$1,149
	Next Gen "R" SERIES Minicon after 11-2015 3 THRU 6 HP MODELS WITH A 24" FAN	MOTOR, EC, 3/4 HP, 1075RPM, 208-230/1	08216132
CAPACITOR, 5 MFD, 230/460/1/60 PSC MOTORS ONLY		202163004	\$47
GRILLE, WIRE, BLACK, 33.14" X 30.13"		08397067	\$377
DISCHARGE T-STAT FOR 5/8" DISCHARGE LINE		08352256	\$262

**MINICON AIR COOLED CONDENSING UNITS (1/2 - 6 HP)
MODELS M*H, M*S, M*O, M*D, R*H, R*S, R*O, R*D**

MODEL NUMBER	DESCRIPTION	PART NUMBER	LIST PRICE
1/2 THRU 2 HP MODELS BUILT BEFORE 10 / 2002	FAN BLADE, 12" DIAM., 24° PITCH, CW (Replaces 107943000)	08221153	\$80
	FAN GUARD, WIRE, EPOXY COATED, WHITE., 12" (INDOOR MODELS ONLY) †	08397040	\$115
	FAN GUARD, WIRE, EPOXY COATED, BLACK, 12" (INDOOR MODELS ONLY) †	201006011	\$99
	MOTOR, SHADED POLE, 1/20 HP, 1550 RPM, 230/1 (Replaces 10254004)	08216071	\$212
	MOTOR, SHADED POLE, 1/20 HP, 1550 RPM, 230/1	08216071	\$212
	OUTDOOR HOUSING	OH-MC1	\$824
	MOTOR MOUNT (OUTDOOR MODELS)	21062000	\$137
	MOTOR MOUNT (OUTDOOR MODELS) - S100M / H201M MODELS BEFORE 6/01	21279300	\$137
"R" SERIES 1/2 THRU 3 HP MODELS BUILT 10 / 2002 AND AFTER AND 2 - 3 HP SCROLLS BUILT AFTER 4 / 2003	FAN BLADE, 12" DIAM., 24° PITCH, CCW	119103001	\$80
	FAN GUARD, WIRE, EPOXY COATED, 12" (INDOOR MODELS ONLY)	123334000	\$179
	GRILLE, WIRE, EPOXY COATED, 15" (OUTDOOR MODELS ONLY)	123064000	\$75
	FIXED LOW CUT OUT CONTROL - HIGH/MED TEMP MODELS (EXCEPT "CR" COMP'S)	204464232	\$319
	HIGH CUT OUT CONTROL - ALL MODELS	204464208	\$247
	MOTOR MOUNT (OUTDOOR MODELS)	21062000	\$137
	MOTOR, SHADED POLE, 1/20 HP, 1550 RPM, 230/1	108178002	\$331
	MOTOR, SHADED POLE, 1/20 HP, 1550 RPM, 460/1	102540005	\$315
	MOTOR, PSC, 1/20 HP, 1550 RPM, 230 V., (2 MFD CAPACITOR NOT INCLUDED)	108178002	\$331
	CAPACITOR, 2 MFD, FOR 1/20 230 V. PSC MOTOR	202163009	\$51
MOTOR, ECM, 1/8 HP, 1075 RPM, CCW, 230V	08216129	\$995	
2-1/2 THRU 3 HP MODELS BUILT AFTER 4 / 2003	FAN BLADE, 20" DIAM., 18° PITCH, CW	214040000	\$288
	FAN GUARD, WIRE, EPOXY COATED, BLACK, 20" (INDOOR MODELS ONLY)	213484000	\$236
	MOTOR, SHADED POLE, 1/6 HP, 1050 RPM, 230/1 (UNITS BUILT BEFORE MAR. 31, 2001)	08216025	NLA
	MOTOR, PSC, 1/3 HP, 1075 RPM, 208-230/1 (UNITS BUILT AFTER MAR. 31, 2001)	205051004	\$396
	MOTOR, ECM, 1/3 HP, 1075 RPM, CCW, 230V	08216131	\$1,157
ALL 4 THRU 6 HP MODELS AND 2 - 3 HP SCROLLS BUILT BEFORE 4 / 2003	FAN BLADE, 20" DIAM., 29° PITCH, CW ‡	213156000	\$288
	FAN BLADE, 24" DIAM., 28° PITCH, CCW (R-SERIES ONLY)	213266000	\$328
	FAN GUARD, WIRE, EPOXY COATED, BLACK, 20" (INDOOR MODELS ONLY)	213484000	\$236
	GRILLE, WIRE, EPOXY COATED, 30"	124027000	\$328
	MOTOR, PSC, 1/3 HP, 1075 RPM, 208-230/1	205051004	\$396
	MOTOR, PSC, 3/4 HP, 1075 RPM, 460/1	205051002	\$1,149
	MOTOR, ECM, 1/3 HP, 1075 RPM, CCW, 230V	08216131	\$1,157
	CAPACITOR, 5MFD, 230/1 V. PSC MOTORS ONLY	202163004	\$47
	MOTOR MOUNT - WIRE, 24"	212837000	\$223
MOTOR MOUNT - WIRE, 20" ‡	210225000	\$232	
ALL MODELS 1/2 THRU 6 HP	ADJUSTABLE LOW CUT OUT CONTROL ‡ (STD ON "CR" COMP'S) (Replaces 204464021)	08219422	\$319
	HIGH CUT OUT CONTROL - ALL MODELS	204464208	\$247
	HIGH CUT OUT CONTROL ‡	204464049	\$247
	DISCHARGE T-STAT KIT (KLIXON STYLE)	118431442	\$211
	RELAY - DELAY, 90 sec, D.O.B., 230 V	104799010	\$126
	SEQUENCING RELAY - R2, DPDT, 30 AMP, 208/240 V, "ICE CUBE RELAY"	104799020	\$239

NOTES: CONTACT FACTORY FOR SIERRA AND HIGH SIERRA PARTS

† - NOT AVAILABLE FOR "P" REVISION MODELS

‡ - EXCLUDES "R" SERIES UNITS. SEE "R" SERIES FOR REPLACEMENT

**NEXT-GEN II AIR COOLED CONDENSING UNITS (3 THRU 22 HP) - MODELS RFD, RFO, RFB, RBD, RBO,
RBB**

ALL MODELS	MOTOR, 3/4 HP, 1140 RPM, 48 FR, 230/3/60	08216205	\$1,425
ALL MODELS	MOTOR, 3/4 HP, 1140 RPM, 48FR, 460/3/60	08216206	\$1,212
ALL MODELS	MOTOR, 1/2 HP, 1075 RPM, 575/1/60	115952000	\$942
ALL MODELS	CAPACITOR, 7.5 MFD, 440V	202163006	\$51
ALL MODELS	FAN BLADE, 24" DIAM., 28° PITCH, CCW, 1/2" HUB	213266000	\$328
ALL MODELS	MOUNT, MOTOR, WIRE, 24", 3-LEG	212837000	\$223
ALL MODELS	PRESSURE CONTROL, DUAL HI/LO, FLARE	204464054	\$705

"D" STYLE AIR COOLED CONDENSING UNITS (3 THRU 22 HP) - MODELS DC, DE, DL, DS

MODEL NUMBER	DESCRIPTION	PART NUMBER	LIST PRICE
3L22, 3L52, 3L44, 3L57, 4L22, 4L44, 4L57, 5L22, 5L52, 5L44, 5L57, 6M44, 6L22, 6L52, 6L44, 6L57, 7H22, 7M52, 7M44, 7M57, 8H22, 8M52, 8M44, 8M57, 8L22, 8L44, 8L57, 9L22, 9L52, 9L44, 9L57, 10L22, 10L52, 10L44, 10L57, 12L22, 12L52, 12L44, 12L57	MOTOR, PSC, 1/3 HP, 1075 RPM, 208-230/1 V. (CAPACITOR NOT INCLUDED)	205051004	\$396
	MOTOR, PSC, 3/4 HP, 1075 RPM, 460/1 V. (CAPACITOR NOT INCLUDED)	205051002	\$1,149
	CAPACITOR, 7.5 MFD, 230/1 V. PSC MOTORS ONLY	202163006	\$51
	MOTOR, ECM , 1/3 HP, 1075 RPM, CCW, 230V/1	08216131	\$1,157
5H22, 5M22, 5M44, 5M57, 10H22, 10M52, 10M44, 10M57, 12H22, 12M44, 15H22, 15M52, 15L52, 15L22, 15L44, 15L57, 22L22, 22L52, 22L44, 22L57	MOTOR, PSC, 3/4 HP, 1075 RPM, 208-230/1 V. (CAPACITOR NOT INCLUDED)	205051009	\$1,044
	MOTOR, PSC, 3/4 HP, 1075 RPM, 460/1 V. (CAPACITOR NOT INCLUDED)	205051002	\$1,149
	MOTOR, PSC, 1/2 HP, 1075RPM, 575/1/60	115952000	\$942
	CAPACITOR, 5MFD, 230/1 V. PSC MOTORS ONLY	202163004	\$47
	MOTOR, ECM , 3/4 HP, 1075 RPM, CCW, 230V/1	08216132	\$1,276
ALL MODELS	CAPACITOR, 5MFD, 460/1 V. PSC MOTORS ONLY	202163004	\$47
VOLTAGE CODES C,D,E,F,G,M,N,Q	FAN BLADE, 24" DIAM., 28° PITCH, CCW, 1/2" HUB	213266000	\$328
VOLTAGE CODES C,D,E,F,G,M,N,Q	MOTOR MOUNT / FAN GUARD, 24", COMBINATION	204340000	NLA
VOLTAGE CODES H, J	MOTOR MOUNT, WIRE, 24", 3-LEG	212837000	\$223
ALL MODELS	CONTROL, DUAL HI/LO, CAP	204464041	\$597
ALL MODELS	OIL FAILURE CONTROL	204464009	NLA

"V" STYLE AIR COOLED CONDENSING UNITS (20 THRU 80 HP) - MODELS VC, VL, VS

ALL MODELS	FAN BLADES, 30" DIAM., 24° PITCH, CW, 5/8" BORE (Part replaced with 8221151)	210385000	NLA
ALL MODELS	FAN BLADES, 30" DIAM., 24° PITCH, 4 BLADE, CW, 5/8" BORE	08221151	\$522
ALL MODELS	FAN GUARD, WIRE, EPOXY COATED, 30" (Part replaced with 20136011)	202136006	NLA
ALL MODELS	FAN GUARD, WIRE, EPOXY COATED, 30"	202136011	\$189
ALL MODELS	MOTOR, 1-1/2 HP, 1140RPM, 208-230/460/60/3	110204000	\$1,672
ALL MODELS	MOTOR, 1-1/2 HP, 1140RPM, 575/3	118570001	\$2,494
ALL MODELS	KIT, MOTOR MOUNT, 30", KNCKDWN, VAC	125215001	\$462

RUSSETTE AIR COOLED CONDENSING UNITS (1/2 THRU 3 HP) - MODELS RC, RE, RS

ALL MODELS	FAN BLADES, 20" DIAM., 27° PITCH, CW, 1/2" BORE	214040000	\$288
ALL MODELS	FAN GUARD, WIRE, EPOXY COATED, BLACK, 20"	213484000	\$236
ALL MODELS	FAN GUARD, WIRE, EPOXY COATED, BLUE, 20"	201006007	\$236
ALL MODELS	MOTOR, SHADED POLE, 1/6 HP, 1050 RPM, 115V/230/1	08216025	-

RUSCON AIR COOLED CONDENSING UNITS (5 THRU 30 HP) - MODELS H, L, M, HE, LE, ME

ALL MODELS	FAN BLADE, 24" DIAM., 28° PITCH, CCW ROTATION, 1/2" HUB	213266000	\$328
H31, M31, L35, M51, L55, H51, M61, L65, M81, L85, H81, H82, H101, M101, L105, L155, M61, L65	MOTOR, PSC, 1/3 HP, 1075 RPM, 208-230/1 V. (CAPACITOR NOT INCLUDED)	205051004	\$396
	MOTOR, PSC, 3/4 HP, 1075 RPM, 460/1 V. (CAPACITOR NOT INCLUDED)	205051002	\$1,149
	CAPACITOR, 5MFD, 230/1 V. PSC MOTORS ONLY	202163004	\$47
H102, H151, H152, L205, L255, H202, I305	MOTOR, PSC, 3/4 HP, 1075 RPM, 208-230/1 V. (CAPACITOR NOT INCLUDED)	205051009	\$1,044
	MOTOR, PSC, 3/4 HP, 1075 RPM, 460/1 V. (CAPACITOR NOT INCLUDED)	205051002	\$1,149
	CAPACITOR, 7.5 MFD, 230/1 V. PSC MOTORS ONLY	202163006	\$51
ALL MODELS	MOTOR MOUNT / FAN GUARD, 24", COMBINATION (Part replaced with 212837000)	204340000	NLA
ALL MODELS	MOTOR MOUNT, WIRE, 24"	212837000	\$223

MISCELLANEOUS SPARE PARTS

DESCRIPTION	PART NUMBER	LIST PRICE
THERMOSTAT, AMBIENT FAN CYCLE	204464002	\$462
FAN BLADE, 11", 32° PITCH, CW ROTATION	NLA	-
3/4" BRASS DRAIN FITTING	NLA	-
SLINGER SHIELD - 1/2" SHAFT	102548002	NLA
SLINGER SHIELD - 5/8" SHAFT	102548001	NLA
CONTACTOR, 25 AMP, 3 POLE, 208-230/460	104461097	NLA
CONTACTOR, 30 AMP, 3 POLE, 208-230/460 (Part replaced with 08219963)	104461098	NLA
CONTACTOR, 32 AMP, 3 POLE, 208-230/460	08219963	\$107
CONTACTOR, 40 AMP, 3 POLE, 208-230/460 (Part replaced with 08219965)	104461099	NLA
CONTACTOR, 40 AMP, 3 POLE, 208-230/460	08219965	\$134
CONTACTOR, 50 AMP, 3 POLE, 208-230/460 (Part replaced with 08219967)	104461111	NLA
CONTACTOR, 50 AMP, 3 POLE, 208-230/460	08219967	\$314
CONTACTOR, 75 AMP, 3 POLE, 208-230/460 (Part replaced with 08220037)	104461115	NLA
CONTACTOR, 75 AMP, 3 POLE, 208-230/460	8220037	\$787

NLA - NO LONGER AVAILABLE

HIGH SIERRA REPLACEMENT PARTS - LISTING BY PRODUCT MODEL NUMBER

LOW TEMP. MODELS*

HIGH SIERRA W/R-SERIES CONDENSING UNIT - MODELS RHH, RHS, RHD, RHO

COMP. TYPE	MODEL NUMBER	DESCRIPTION	PART NUMBER	LIST PRICE
HERMETIC	ALL RHH LOW TEMP. MODELS†	VALVE, REVERSING, 1/2 X 7/8 X 7/8	21012	\$630
		STRAINER, CONE, 1/2, 100M	123277001	\$28
		MOTOR, SHADED POLE, 1/20 HP, 1550 RPM, 230/1 (USE 08216071)	102540004	\$212
		MOTOR, SHADED POLE, 1/20 HP, 1550 RPM, 230/1	08216071	\$212
		FAN BLADE, 12" DIAM., 24° PITCH, CCW	119103001	\$80
		LOW CUT OUT CONTROL	204464232	\$319
		HIGH CUT OUT CONTROL	204464208	\$247
	THERMOSTAT, AMBIENT FAN CYCLE	204464002	\$462	
	RHH100L44	VALVE, TXV, 3/8 X 1/2 ODF, SWEAT	SBFSE-AA-Z	\$455
		FILTER, LIQUID, BI-FLO, 3/8SW	104471048	\$102
	RHH165L44	VALVE, TXV, 3/8 X 1/2 ODF, SWEAT	SBFSE-A-Z	\$455
	RHH215L44	VALVE, TXV, 3/8 X 1/2 SWEAT	SBFSE-B-Z	\$455
	RHH165L44, RHH215L44	FILTER, LIQUID, BI-FLO, 3/8SW	104471049	\$170
	RHH315L44	VALVE, TXV, 3/8 x 1/2 FL	SBFSE-C-Z	\$582
	FILTER, LIQUID, BI-FLO, 1/2 SW, VEN. PART # BFK 164S	104471046	\$173	
SEMI-HERMETIC	ALL RHS LOW TEMP. MODELS†	VALVE, REVERSING, 1/2 X 7/8 X 7/8	21012	\$630
		STRAINER, CONE, 1/2, 100M	123277001	\$28
		MOTOR, SHADED POLE, 1/20 HP, 1550 RPM, 230/1 (USE 08216071)	102540004	\$212
		MOTOR, SHADED POLE, 1/20 HP, 1550 RPM, 230/1	08216071	\$212
		FAN BLADE, 12" DIAM., 24° PITCH, CCW	119103001	\$80
		LOW CUT OUT CONTROL	204464232	\$319
		HIGH CUT OUT CONTROL	204464208	\$247
	THERMOSTAT, AMBIENT FAN CYCLE	204464002	\$462	
	RHS075L44	VALVE, TXV, 3/8 X 1/2 ODF, SWEAT	SBFSE-AA-Z	\$455
	RHS075L44, RHS100L44	FILTER, LIQUID, BI-FLO, 3/8SW	104471048	\$102
	RHS100L44, RHS150L44	VALVE, TXV, 3/8 X 1/2 ODF, SWEAT	SBFSE-A-Z	\$455
	RHS150L44, RHS200L44	FILTER, LIQUID, BI-FLO, 3/8SW	104471049	\$170
	RHS200L44, RHS250L44	VALVE, TXV, 3/8 X 1/2 SWEAT	SBFSE-B-Z	\$455
	RHS250L44, RHS300L44	FILTER, LIQUID, BI-FLO, 1/2 SW, VEN. PART # BFK 164S	104471046	\$173
RHS300L44	VALVE, TXV, 3/8 x 1/2 FL	SBFSE-C-Z	\$582	
DISCUS	ALL RHD LOW TEMP. MODELS†	VALVE, REVERSING, 5/8 X 1-1/8	16506	\$756
		STRAINER, CONE, 5/8, 40M	123277002	\$28
		FAN GUARD, WIRE, EPOXY COATED, 20" (INDOOR MODELS ONLY)	201006007	\$236
		FAN BLADE, 24" DIAM., 28° PITCH, CCW (R-SERIES ONLY)	213266000	\$328
		LOW CUT OUT CONTROL	204464232	\$319
		HIGH CUT OUT CONTROL	204464208	\$247
	THERMOSTAT, AMBIENT FAN CYCLE	204464002	\$462	
	RHD300L44	VALVE, TXV, 3/8 x 1/2 FL	SBFSE-C-Z	\$582
		FILTER, LIQUID, BI-FLO, 1/2 SW, VEN. PART # BFK 164S	104471046	\$173
	RHD400L44, RHD500L44	VALVE, TXV, 5/8 X 7/8ODF, SWEAT	EBSSE-6-Z	\$582
	FILTER, LIQUID, BI-FLO, 1/2 SW, VEN. PART # BFK 304S	104471047	\$233	
SCROLL	ALL RHO LOW TEMP. MODELS†	FAN GUARD, WIRE, EPOXY COATED, 20" (INDOOR MODELS ONLY)	201006007	\$236
		FAN BLADE, 24" DIAM., 28° PITCH, CCW (R-SERIES ONLY)	213266000	\$328
		LOW CUT OUT CONTROL	204464232	\$319
		HIGH CUT OUT CONTROL	204464208	\$247
		THERMOSTAT, AMBIENT FAN CYCLE	204464002	\$462
	RHO200L44 - RHO400L44	VALVE, REVERSING, 1/2 X 7/8 X 7/8	21012	\$630
		STRAINER, CONE, 1/2, 100M	123277001	\$28
	RHO500L44 - RHO600L44	VALVE, REVERSING, 5/8 X 1-1/8	16506	\$756
		STRAINER, CONE, 5/8, 40M	123277002	\$28
	RHO200L44	VALVE, TXV, 3/8 X 1/2 ODF, SWEAT	SBFSE-A-Z	\$455
		FILTER, LIQUID, BI-FLO, 3/8SW	104471049	\$170
	RHO250L44, RHO300L44	VALVE, TXV, 3/8 X 1/2 SWEAT	SBFSE-B-Z	\$455
	RHO250L44 - RHO301L44	FILTER, LIQUID, BI-FLO, 1/2 SW, VEN. PART # BFK 164S	104471046	\$173
	RHO301L44, RHO400L44	VALVE, TXV, 3/8 x 1/2 FL	SBFSE-C-Z	\$582
RHO400L44 - RHO600L44	FILTER, LIQUID, BI-FLO, 1/2 SW, VEN. PART # BFK 304S	104471047	\$233	
RHO500L44, RHO600L44	VALVE, TXV, 5/8 X 7/8ODF, SWEAT	EBSSE-6-Z	\$582	

*PARTS SELECTION MAY VARY BASED UPON SPECIFIC OPERATING CONDITIONS.

NLA - NO LONGER AVAILABLE

†All Low Temperature High Sierra Models with indicated Compressor type (Semi-Hermetic, Hermetic, Scroll or Discus)and Condensing unit.

HIGH SIERRA REPLACEMENT PARTS (CON'T)

LOW TEMP. MODELS*

HIGH SIERRA W/D-SERIES CONDENSING UNIT - MODELS DHD, DHO

COMP. TYPE	MODEL NUMBER	DESCRIPTION	PART NUMBER	LIST PRICE
D I S C U S	ALL DHD*L44 LOW TEMP. MODELS†	MOTOR, PSC, 1/3 HP, 1075 RPM, 208-230/1	205051004	\$396
		FAN BLADE, 24" DIAM., 28° PITCH, CCW	213266000	\$328
		HI-LO PRESSURE CONTROL	204464041	\$597
		THERMOSTAT, AMBIENT FAN CYCLE	204464002	\$462
	DHD5L44 - DHD9L44	VALVE, REVERSING, 7/8 X 1-3/8 X 1-3/8	21054	\$1,245
		STRAINER, CONE, 7/8, 40M	123277003	\$35
	DHD10L44 - DHD15L44	VALVE, REVERSING, 1-1/8 x 1-5/8 X 1-5/8	21000	\$1,542
		STRAINER, CONE, 1-1/8, 40M	123277004	\$38
	DHD5L44	VALVE, TXV, 5/8 X 7/8ODF, SWEAT	EBSSE-6-Z	\$582
	DHD6L44	VALVE, TXV, 5/8 X 7/8ODF, SWEAT	EBSSE-7 1/2 -Z	\$582
	DHD5L44, DHD6L44	FILTER, LIQUID, BI-FLO, 1/2 SW, VEN. PART # BFK 304S	104471047	\$233
	DHD8L44, DHD9L44	VALVE, TXV, 7/8 X 1-1/8ODF, SWEAT	EBSSE-10-Z	\$725
		FILTER, LIQUID, BI-FLO, 5/8 SW	104471066	\$240
	DHD10L44, DHD12L44	VALVE, TXV, 7/8 X 1-3/8ODF, SWEAT	EBSSE-13-Z	\$725
		FILTER, LIQUID, BI-FLO, 5/8 SW	104471066	\$240
DHD15L44	VALVE, TXV, 7/8 X 1-3/8ODF, SWEAT	EBSSE-13-Z	\$725	
	FILTER, LIQUID, BI-FLO, 7/8 SW	104471193	\$247	
S C R O L L	ALL DHO LOW TEMP. MODELS†	MOTOR, PSC, 1/3 HP, 1075 RPM, 208-230/1	205051004	\$396
		FAN BLADE, 24" DIAM., 28° PITCH, CCW	213266000	\$328
		HI-LO PRESSURE CONTROL	204464041	\$597
		THERMOSTAT, AMBIENT FAN CYCLE	204464002	\$462
	DHO6L44	FILTER, LIQUID, BI-FLO, 5/8 SW	104471066	\$240
		VALVE, REVERSING, 5/8 X 1-1/8	16506	\$756
	DHO6L44, DHO8L44	STRAINER, CONE, 5/8, 40M	123277002	\$28
		VALVE, TXV, 5/8 X 7/8ODF, SWEAT	EBSSE-6-Z	\$582
	DHO8L44 - DHO13L44	VALVE, REVERSING, 7/8 X 1-3/8 X 1-3/8	21054	\$1,245
		STRAINER, CONE, 7/8, 40M	123277003	\$35
DHO10L44, DHO13L44	VALVE, TXV, 7/8 X 1-1/8ODF, SWEAT	EBSSE-10-Z	\$725	

HIGH SIERRA W/V-SERIES CONDENSING UNIT - MODEL VHD

D I S C U S	ALL VHD*L44 LOW TEMP. MODELS†	MOTOR, (NON-HEADER END), 1-1/2 HP, 1075 RPM, 208-230/460/60/3	110204000	\$1,672
		FAN BLADES, 30" DIAM., 24° PITCH, CW, 5/8" BORE	210385000	NLA
		HI-LO PRESSURE CONTROL	204464041	\$597
		THERMOSTAT, AMBIENT FAN CYCLE	204464002	\$462
	VHD15L44 - VHD44L44	STRAINER, CONE, 1-3/8, 40M	123277005	\$41
	VHD54L44, VHD60L44	STRAINER, CONE	C/F	-
	VHD15L44, VHD22L44	VALVE, REVERSING, 1-3/8 X 2-1/8, FULL	21049	\$4,917
		VALVE, TXV, 1-1/8 X 1-3/8 SWEAT	OSE-21-Z	\$725
		FILTER SHELL, LIQUID, 7/8	104471021	\$582
	VHD27L44, VHD30L44	VALVE, REVERSING, 1-5/8 X 2-1/8 X 2-1/8	21055	\$5,804
		VALVE, TXV, 1-1/8 X 1-3/8 SWEAT	OSE-30-Z	\$725
		FILTER SHELL, LIQUID, 7/8	104471021	\$582
	VHD44L44	VALVE, REVERSING, 1-5/8 X 2-1/8 X 2-1/8	21055	\$5,804
		VALVE, TXV, 1-1/8 X 1-3/8 ODF, SWEAT	OSE-45-Z	\$725
		FILTER SHELL, LIQUID, 1-1/8	104471022	\$699
	VHD54L44, VHD60L44	VALVE, REVERSING, 2-1/8 X 2-5/8 X 2-5/8	21056	\$8,278
		VALVE, TXV, 1-1/8 X 1-3/8 SWEAT	(2) OSE-30-Z	\$1,449
FILTER SHELL, LIQUID, 1-1/8		104471022	\$699	

*PARTS SELECTION MAY VARY BASED UPON SPECIFIC OPERATING CONDITIONS.

C/F = CONTACT FACTORY

†All Low Temperature High Sierra Models with indicated Compressor type (Semi-Hermetic, Hermetic, Scroll or Discus)and Condensing unit.

‡ V-Series filter is not Bi-Flow Design. Part number is for replaceable core filter (shell only). Core Part # 14471034 (may require more than one core).

HIGH SIERRA REPLACEMENT PARTS - LISTING BY PRODUCT MODEL NUMBER
MEDIUM TEMP.¹ MODELS*
HIGH SIERRA W/R-SERIES CONDENSING UNIT - MODELS RHH, RHS, RHD, RHO

COMP. TYPE	MODEL NUMBER	DESCRIPTION	PART NUMBER	LIST PRICE	
HERMETIC	ALL RHH*H22 MEDIUM TEMP. MODELS†	VALVE, REVERSING, 1/2 X 7/8 X 7/8	21012	\$630	
		STRAINER, CONE, 1/2, 100M	123277001	\$28	
		LOW CUT OUT CONTROL	204464232	\$319	
		HIGH CUT OUT CONTROL	204464208	\$247	
		THERMOSTAT, AMBIENT FAN CYCLE	204464002	\$462	
	R22	RHH075H22 - RHH301H22	MOTOR, SHADED POLE, 1/20 HP, 1550 RPM, 230/1 (USE 08216071)	102540004	NLA
			MOTOR, SHADED POLE, 1/20 HP, 1550 RPM, 230/1	08216071	\$212
			FAN BLADE, 12" DIAM., 24° PITCH, CCW	119103001	\$80
	RHH075H22	VALVE, TXV, 3/8 X 1/2 ODF, SWEAT	SBFVE-AA-C	\$470	
	RHH075H22, RHH100H22	FILTER, LIQUID, BI-FLO, 3/8SW	104471048	\$102	
	RHH100H22, RHH151H22	VALVE, TXV, 3/8 X 1/2 ODF, SWEAT	SBFVE-A-C	\$455	
	RHH151H22, RHH201H22	FILTER, LIQUID, BI-FLO, 3/8SW	104471049	\$170	
	RHH201H22, RHH251H22	VALVE, TXV, 3/8 X 1/2 ODF, SWEAT	SBFVE-B-C	\$455	
	RHH251H22, RHH301H22	FILTER, LIQUID, BI-FLO, 1/2 SW, VEN. PART # BFK 164S	104471046	\$173	
	RHH301H22	VALVE, TXV, 3/8 X 1/2 ODF, SWEAT	SBFVE-C-C	\$582	
	RHH401H22, RHH500H22	FILTER, LIQUID, BI-FLO, 1/2 SW, VEN. PART # BFK 304S	104471047	\$233	
		VALVE, TXV, 3/8 X 1/2 ODF, SWEAT	SBFVE-C-C	\$582	
		FAN GUARD, WIRE, EPOXY COATED, 20" (INDOOR MODELS ONLY)	201006007	\$236	
		FAN BLADE, 24" DIAM., 28° PITCH, CCW (R-SERIES ONLY)	213266000	\$328	
	ALL RHH*M44 MEDIUM TEMP. MODELS	LOW CUT OUT CONTROL	204464232	\$319	
		HIGH CUT OUT CONTROL	204464208	\$247	
		THERMOSTAT, AMBIENT FAN CYCLE	204464002	\$462	
	R404A	RHH050M44 - RHH300M44	VALVE, REVERSING, 1/2 X 7/8 X 7/8	21012	\$630
			STRAINER, CONE, 1/2, 100M	123277001	\$28
			MOTOR, SHADED POLE, 1/20 HP, 1550 RPM, 230/1 (USE 08216071)	102540004	NLA
			MOTOR, SHADED POLE, 1/20 HP, 1550 RPM, 230/1	08216071	\$212
			FAN BLADE, 12" DIAM., 24° PITCH, CCW	119103001	\$80
RHH050M44, RHH075M44		VALVE, TXV, 3/8 X 1/2 ODF, SWEAT	SBFSE-A-C	\$455	
		FILTER, LIQUID, BI-FLO, 3/8SW	104471048	\$102	
RHH101M44		FILTER, LIQUID, BI-FLO, 3/8SW	104471048	\$102	
RHH101M44, RHH150M44		VALVE, TXV, 3/8 X 1/2 ODF, SWEAT	SBFSE-B-C	\$455	
RHH150M44, RHH201M44		FILTER, LIQUID, BI-FLO, 3/8SW	104471049	\$170	
RHH201M44, RHH300M44	VALVE, TXV, 3/8 X 1/2 ODF, SWEAT	SBFSE-C-C	\$582		
RHH300M44	FILTER, LIQUID, BI-FLO, 1/2 SW, VEN. PART # BFK 164S	104471046	\$173		
RHH400M44	VALVE, REVERSING, 5/8 X 1-1/8	16506	\$756		
	STRAINER, CONE, 5/8, 40M	123277002	\$28		
	VALVE, TXV, 5/8 X 7/8 ODF, SWEAT	EBSSE-6-C	\$582		
	FILTER, LIQUID, BI-FLO, 1/2 SW, VEN. PART # BFK 304S	104471047	\$233		
	FAN GUARD, WIRE, EPOXY COATED, 20" (INDOOR MODELS ONLY)	201006007	\$236		
	FAN BLADE, 24" DIAM., 28° PITCH, CCW (R-SERIES ONLY)	213266000	\$328		
SEMI-HERMETIC	ALL RHH*H22 MEDIUM TEMP. MODELS †	LOW CUT OUT CONTROL	204464232	\$319	
		HIGH CUT OUT CONTROL	204464208	\$247	
		THERMOSTAT, AMBIENT FAN CYCLE	204464002	\$462	
		VALVE, REVERSING, 1/2 X 7/8 X 7/8	21012	\$630	
	R22	RHS050H22 - RHS300H22	STRAINER, CONE, 1/2, 100M	123277001	\$28
			MOTOR, SHADED POLE, 1/20 HP, 1550 RPM, 230/1	102540004	\$212
			FAN BLADE, 12" DIAM., 24° PITCH, CCW	119103001	\$80
	RHS050H22, RHS075H22	VALVE, TXV, 3/8 X 1/2 ODF, SWEAT	SBFVE-AA-C	\$470	
		FILTER, LIQUID, BI-FLO, 3/8SW	104471048	\$102	
	RHS100H22, RHS150H22	VALVE, TXV, 3/8 X 1/2 ODF, SWEAT	SBFVE-A-C	\$455	
	RHS100H22	FILTER, LIQUID, BI-FLO, 3/8SW	104471048	\$102	
	RHS150H22, RHS200H22	FILTER, LIQUID, BI-FLO, 3/8SW	104471049	\$170	
	RHS200H22	VALVE, TXV, 3/8 X 1/2 ODF, SWEAT	SBFVE-B-C	\$455	
	RHS300H22	VALVE, TXV, 3/8 X 1/2 ODF, SWEAT	SBFVE-C-C	\$582	
		FILTER, LIQUID, BI-FLO, 1/2 SW, VEN. PART # BFK 164S	104471046	\$173	
	RHS400H22	FAN GUARD, WIRE, EPOXY COATED, 20" (INDOOR MODELS ONLY)	201006007	\$236	
		FAN BLADE, 24" DIAM., 28° PITCH, CCW (R-SERIES ONLY)	213266000	\$328	
VALVE, TXV, 3/8 X 1/2 ODF, SWEAT		SBFVE-C-C	\$582		
FILTER, LIQUID, BI-FLO, 1/2 SW, VEN. PART # BFK 304S		104471047	\$233		

*PARTS SELECTION MAY VARY BASED UPON SPECIFIC OPERATING CONDITIONS.

NLA - NO LONGER AVAILABLE

†All Medium Temperature High Sierra Models with indicated Compressor type (Semi-Hermetic, Hermetic, Scroll or Discus)and Condensing unit.

¹ Medium Temperature models are only available for warm ambient locations.

HIGH SIERRA REPLACEMENT PARTS (CON'T)

MEDIUM TEMP. 1 MODELS*

HIGH SIERRA W/R-SERIES CONDENSING UNIT - MODELS RHS, RHO

COMP. TYPE	MODEL NUMBER	DESCRIPTION	PART NUMBER	LIST PRICE
R404A S E M I - H E R M E T I C	ALL RHS*M44 MEDIUM TEMP. MODELS†	LOW CUT OUT CONTROL	204464232	\$319
		HIGH CUT OUT CONTROL	204464208	\$247
		THERMOSTAT, AMBIENT FAN CYCLE	204464002	\$462
	RHS050M44 - RHS300M44	VALVE, REVERSING, 1/2 X 7/8 X 7/8	21012	\$630
		STRAINER, CONE, 1/2, 100M	123277001	\$28
		MOTOR, SHADED POLE, 1/20 HP, 1550 RPM, 230/1	102540004	\$212
		FAN BLADE, 12" DIAM., 24° PITCH, CCW	119103001	\$80
		VALVE, TXV, 3/8 X 1/2 ODF, SWEAT	SBFSE-A-C	\$455
	RHS050M44, RHS100M44	FILTER, LIQUID, BI-FLO, 3/8SW	104471048	\$102
		VALVE, TXV, 3/8 X 1/2 ODF, SWEAT	SBFSE-B-C	\$455
	RHS200M44	FILTER, LIQUID, BI-FLO, 3/8SW	104471049	\$170
		VALVE, TXV, 3/8 X 1/2 ODF, SWEAT	SBFSE-C-C	\$582
	RHS300M44	FILTER, LIQUID, BI-FLO, 1/2 SW, VEN. PART # BFK 164S	104471046	\$173
		VALVE, REVERSING 5/8 X 1-1/8	16506	\$756
	RHS400M44	STRAINER, CONE, 5/8, 40M	123277002	\$28
		VALVE, TXV, 5/8 X 7/8 ODF, SWEAT	EBSSE-6-C	\$582
		FILTER, LIQUID, BI-FLO, 1/2 SW, VEN. PART # BFK 304S	104471047	\$233
		FAN GUARD, WIRE, EPOXY COATED, 20" (INDOOR MODELS ONLY)	201006007	\$236
		FAN BLADE, 24" DIAM., 28° PITCH, CCW (R-SERIES ONLY)	213266000	\$328
		LOW CUT OUT CONTROL	204464232	\$319
HIGH CUT OUT CONTROL		204464208	\$247	
R404A S C R O L L	ALL RHO*M44 MEDIUM TEMP. MODELS†	THERMOSTAT, AMBIENT FAN CYCLE	204464002	\$462
		FAN BLADE, 24" DIAM., 28° PITCH, CCW (R-SERIES ONLY)	213266000	\$328
		FAN GUARD, WIRE, EPOXY COATED, 20" (INDOOR MODELS ONLY)	201006007	\$236
	RHO200M44	FILTER, LIQUID, BI-FLO, 3/8SW	104471049	\$170
		VALVE, REVERSING, 1/2 X 7/8 X 7/8	21012	\$630
	RHO200M44 - RHO300M44	STRAINER, CONE, 1/2, 100M	123277001	\$28
		VALVE, TXV, 3/8 X 1/2 ODF, SWEAT	SBFSE-C-C	\$582
	RHO250M44 - RHO301M44	FILTER, LIQUID, BI-FLO, 1/2 SW, VEN. PART # BFK 164S	104471046	\$173
		VALVE, REVERSING 5/8 X 1-1/8	16506	\$756
	RHO301M44 - RHO500M44	STRAINER, CONE, 5/8, 40M	123277002	\$28
		VALVE, TXV, 5/8 X 7/8 ODF, SWEAT	EBSSE-6-C	\$582
	RHO400M44 - RHO600M44	FILTER, LIQUID, BI-FLO, 1/2 SW, VEN. PART # BFK 304S	104471047	\$233
		VALVE, REVERSING, 7/8 X 1-3/8 X 1-3/8	21054	\$1,245
	RHO600M44	STRAINER, CONE, 7/8, 40M	123277003	\$35
		VALVE, TXV, 5/8 X 7/8 ODF, SWEAT	EBSSE-6-C	\$582
	RHO650M44	VALVE, REVERSING, 1-1/8 X 1-5/8 X 1-5/8	21000	\$1,542
		STRAINER, CONE, 1-1/8, 40M	123277004	\$38
		VALVE, TXV, 5/8 X 7/8 ODF, SWEAT	EBSSE-7 1/2 -C	\$459
		FILTER, LIQUID, BI-FLO, 5/8 SW	104471066	\$240
		LOW CUT OUT CONTROL	204464232	\$319

HIGH SIERRA W/D-SERIES CONDENSING UNIT - MODELS DHD, DHO

R22 D I S C U S	ALL DHD*H22 MEDIUM TEMP. MODELS†	HI-LO PRESSURE CONTROL	204464041	\$597	
		THERMOSTAT, AMBIENT FAN CYCLE	204464002	\$462	
		MOTOR, PSC, 1/3 HP, 1075 RPM, 208-230/1	205051004	\$396	
	DHD5H22	FAN BLADE, 24" DIAM., 28° PITCH, CCW (R-SERIES ONLY)	213266000	\$328	
		VALVE, REVERSING, 5/8 X 1-1/8	16506	\$756	
		STRAINER, CONE, 5/8, 40M	123277002	\$28	
		VALVE, TXV, 5/8 X 7/8 ODF, SWEAT	EBSVE-8-C	\$459	
		FILTER, LIQUID, BI-FLO, 5/8 SW	104471066	\$240	
	DHD5H22 - DHD8H22	VALVE, REVERSING, 7/8 X 1-3/8 X 1-3/8	21054	\$1,245	
		STRAINER, CONE, 7/8, 40M	123277003	\$35	
	DHD7H22, DHD8H22	VALVE, TXV, 5/8 X 7/8 ODF, SWEAT	EBSVE-11-C	\$798	
		VALVE, REVERSING, 7/8 X 1-3/8 X 1-3/8	21054	\$1,245	
	DHD10H22	STRAINER, CONE, 7/8, 40M	123277003	\$35	
		VALVE, REVERSING, 1-1/8 X 1-5/8 X 1-5/8	21000	\$1,542	
	DHD12H22	STRAINER, CONE, 1-1/8, 40M	123277004	\$38	
		VALVE, TXV, 7/8 X 1-1/8 ODF, SWEAT	EBSVE-15-C	\$798	
	DHD10H22, DHD12H22	FILTER, LIQUID, BI-FLO, 7/8 SW	104471193	\$247	
		HI-LO PRESSURE CONTROL	204464041	\$597	
	R404A S C R O L L	ALL DHD*M44 MEDIUM TEMP. MODELS†	THERMOSTAT, AMBIENT FAN CYCLE	204464002	\$462
			MOTOR, PSC, 1/3 HP, 1075 RPM, 208-230/1	205051004	\$396
FAN BLADE, 24" DIAM., 28° PITCH, CCW (R-SERIES ONLY)			213266000	\$328	
DHD5M44 - DHD7M44		VALVE, REVERSING, 7/8 X 1-3/8 X 1-3/8	21054	\$1,245	
		STRAINER, CONE, 7/8, 40M	123277003	\$35	
		VALVE, TXV, 7/8 X 1-1/8 ODF, SWEAT	EBSSE-10-C	\$798	
		FILTER, LIQUID, BI-FLO, 5/8 SW	104471066	\$240	
		VALVE, REVERSING, 1-1/8 X 1-5/8 X 1-5/8	21000	\$1,542	
DHD5M44 - DHD8M44		STRAINER, CONE, 1-1/8, 40M	123277004	\$38	
		VALVE, TXV, 7/8 X 1-3/8 ODF, SWEAT	EBSSE-13-C	\$798	
DHD8M44, DHD10M44		FILTER, LIQUID, BI-FLO, 7/8 SW	104471193	\$247	
		VALVE, REVERSING, 1-3/8 X 2-1/8, FULL	21049	\$4,917	
DHD10M44, DHD12M44		STRAINER, CONE, 1-3/8, 40M	123277005	\$41	
		VALVE, TXV, 7/8 X 1-3/8 ODF, SWEAT	EBSSE-13-C	\$798	
R404A S C R O L L		ALL DHO*M44 MEDIUM TEMP. MODELS†	HI-LO PRESSURE CONTROL	204464041	\$597
			THERMOSTAT, AMBIENT FAN CYCLE	204464002	\$462
			MOTOR, PSC, 1/3 HP, 1075 RPM, 208-230/1	205051004	\$396
		DHO6M44	FAN BLADE, 24" DIAM., 28° PITCH, CCW (R-SERIES ONLY)	213266000	\$328
			VALVE, REVERSING, 5/8 X 1-1/8	16506	\$756
			STRAINER, CONE, 5/8, 40M	123277002	\$28
	VALVE, TXV, 5/8 X 7/8 ODF, SWEAT		EBSSE-7 1/2-C	\$459	
	FILTER, LIQUID, BI-FLO, 1/2 SW, VEN. PART # BFK 304S		104471047	\$233	
	DHO7M44, DHO8M44	VALVE, REVERSING, 7/8 X 1-3/8 X 1-3/8	21054	\$1,245	
		STRAINER, CONE, 7/8, 40M	123277003	\$35	
	DHO10M44, DHO13M44	VALVE, TXV, 7/8 X 1-1/8 ODF, SWEAT	EBSSE-10-C	\$798	
		FILTER, LIQUID, BI-FLO, 5/8 SW	104471066	\$240	
	DHO10M44, DHO13M44	VALVE, REVERSING, 1-1/8 X 1-5/8 X 1-5/8	21000	\$1,542	
		STRAINER, CONE, 1-1/8, 40M	123277004	\$38	
		VALVE, TXV, 7/8 X 1-3/8 ODF, SWEAT	EBSSE-13-C	\$798	
		FILTER, LIQUID, BI-FLO, 7/8 SW	104471193	\$247	
		HI-LO PRESSURE CONTROL	204464041	\$597	

*PARTS SELECTION MAY VARY BASED UPON SPECIFIC OPERATING CONDITIONS.

†All Medium Temperature High Sierra Models with indicated Compressor type (Semi-Hermetic, Hermetic, Scroll or Discus)and Condensing unit.

1 Medium Temperature models are only available for warm ambient locations.

HIGH SIERRA REPLACEMENT PARTS (CON'T)

MEDIUM TEMP.¹ MODELS*

HIGH SIERRA W/V-SERIES CONDENSING UNIT - MODEL VHD

COMP. TYPE	MODEL NUMBER	DESCRIPTION	PART NUMBER	LIST PRICE
R22	ALL VHD*H22 MEDIUM TEMP. MODELS †	HI-LO PRESSURE CONTROL	204464041	\$597
		THERMOSTAT, AMBIENT FAN CYCLE	204464002	\$462
		MOTOR, (NON-HEADER END), 1-1/2 HP, 1075 RPM, 208-230/460/60/3	110204000	\$1,672
		FAN BLADES, 30" DIAM., 24° PITCH, CW, 5/8" BORE (Replaces 210385000)	08221151	\$522
	VHD15H22	VALVE, REVERSING, 1-1/8 x 1-5/8 X 1-5/8	21000	\$1,542
		STRAINER, CONE, 1-1/8, 40M	123277004	\$38
	VHD15H22, VHD20H22	VALVE, TXV, 7/8 x 1-3/8ODF, SWEAT	EBSVE-20-C	\$798
		FILTER SHELL, LIQUID, 7/8 §	104471021	\$582
	VHD20H22 - VHD30H22	VALVE, REVERSING, 1-3/8 X 2-1/8, FULL	21049	\$4,917
		STRAINER, CONE, 1-3/8, 40M	123277005	\$41
	VHD25H22, VHD30H22	VALVE, TXV, 1-1/8 X 1-3/8 SWEAT	OVE-30-C	\$798
		FILTER SHELL, LIQUID, 7/8 §	104471021	\$582
	VHD30H22	FILTER SHELL, LIQUID, 1-1/8 §	104471022	\$699
	VHD35H22 - VHD50H22	VALVE, REVERSING, 1-5/8 X 2-1/8 X 2-1/8	21055	\$5,804
		STRAINER, CONE, 1-3/8, 40M	123277005	\$41
		FILTER SHELL, LIQUID, 1-1/8 §	104471031	\$1,010
	VHD35H22, VHD40H22	VALVE, TXV, 1-1/8 X 1-3/8 SWEAT	OVE-40-C	\$798
	VHD50H22, VHD60H22‡	VALVE, TXV, 1-1/8 X 1-3/8 SWEAT	(2) OVE-30-C	\$1,595
VHD60H22‡	FILTER SHELL, LIQUID, 1-3/8 §	104471032	\$1,256	
VHD60H22‡, VHD70H22‡	VALVE, REVERSING, 2-1/8 X 2-5/8 X 2-5/8	21056	\$8,278	
VHD70H22‡, VHD80H22‡	VALVE, TXV, 1-1/8 X 1-3/8 SWEAT	(2) OVE-40-C	\$1,595	
	FILTER SHELL, LIQUID, 1-5/8 §	104471033	\$1,480	
VHD80H22‡	VALVE, REVERSING, 2-5/8 X 3-1/8 X 3-1/8	21057	\$14,364	
R404A	ALL VHD*M44 MEDIUM TEMP. MODELS	HI-LO PRESSURE CONTROL	204464041	\$597
		THERMOSTAT, AMBIENT FAN CYCLE	204464002	\$462
		MOTOR, (NON-HEADER END), 1-1/2 HP, 1075 RPM, 208-230/460/60/3	110204000	\$1,672
		FAN BLADES, 30" DIAM., 24° PITCH, CW, 5/8" BORE (Replaces 210385000)	08221151	\$522
	VHD15M44, VHD20M44	VALVE, REVERSING, 1-3/8 X 2-1/8, FULL	21049	\$4,917
		STRAINER, CONE, 1-3/8, 40M	123277005	\$41
		VALVE, TXV, 1-1/8 X 1-3/8 ODF, SWEAT	OSE-21-C	\$798
		FILTER SHELL, LIQUID, 7/8 §	104471021	\$582
	VHD25M44 - VHD35M44	VALVE, REVERSING, 1-5/8 X 2-1/8 X 2-1/8	21055	\$5,804
		STRAINER, CONE, 1-3/8, 40M	123277005	\$41
		VALVE, TXV, 1-1/8 x 1-3/8 SWEAT	OSE-30-C	\$798
	VHD25M44	FILTER SHELL, LIQUID, 7/8 §	104471021	\$582
	VHD30M44	FILTER SHELL, LIQUID, 1-1/8 §	104471022	\$699
	VHD35M44 - VHD50M44§	FILTER SHELL, LIQUID, 1-1/8 §	104471031	\$1,010
	VHD40M44‡ - VHD60M44‡	VALVE, REVERSING, 2-1/8 X 2-5/8 X 2-5/8	21056	\$8,278
	VHD40M44‡	VALVE, TXV, 1-1/8 X 1-3/8 ODF, SWEAT	OSE-35-C	\$798
	VHD50M44‡, VHD60M44‡	VALVE, TXV, 1-1/8 X 1-3/8 ODF, SWEAT	OSE-45-C	\$798
	VHD60M44‡	FILTER SHELL, LIQUID, 1-3/8 §	104471032	\$1,256
VHD70M44‡, VHD80M44‡	VALVE, REVERSING, 2-5/8 X 3-1/8 X 3-1/8	21057	\$14,364	
	FILTER SHELL, LIQUID, 1-5/8 §	104471033	\$1,480	
VHD70M44‡	VALVE, TXV, 1-1/8 x 1-3/8 SWEAT	(2) OSE-30-C	\$1,595	
VHD80M44‡	VALVE, TXV, 1-1/8 X 1-3/8 ODF, SWEAT	(2) OSE-35-C	\$1,595	

D *PARTS SELECTION MAY VARY BASED UPON SPECIFIC OPERATING CONDITIONS. C/F = CONTACT FACTORY

†All Medium Temperature High Sierra Models with indicated Compressor type (Semi-Hermetic, Hermetic, Scroll or Discus)and Condensing unit.

‡ Contact Factory for Reverse Valve Strainer

§ V-Series filter is not Bi-Flow Design. Part number is for replaceable core filter (shell only). Core Part # 14471034 (may require more than one core).

¹ Medium Temperature models are only available for warm ambient locations.

APEX REFRIGERATION SYSTEM, XN, XT

MODEL NUMBER	DESCRIPTION	PART NUMBER	LIST PRICE
XN026M THRU XN037M, XN018L	CONDENSER AND EVAP. MOTOR, PSC, 16W, 1550 RPM, 115V	107933001	\$397
	CAPACITOR FOR THIS MOTOR, 5µF, 440V	202163004	\$47
	EVAPORATOR MOTOR, 115V, 16W, 1550 RPM, SP	103104007	\$195
	EVAPORATOR MOTOR, 115V, 16W, 1550 RPM, ECM	107933006	\$690
XN050M, XN024L	CONDENSER AND EVAP. MOTOR, PSC, 1/20 HP, 1550 RPM, 115V	08216074	\$291
	CAPACITOR FOR THIS MOTOR, 3µF, 370V	202163010	\$46
	EVAPORATOR MOTOR, 115V, 1/20 HP, 1550 RPM, SP	08216072	\$212
	EVAPORATOR MOTOR, 115V, 50W, 1550 RPM, ECM	08216124	\$648
X*050M THRU X*134M, X*024L THRU X*068L	CONDENSER AND EVAPORATOR MOTOR, 208-230V, 1/20 HP, 1550 RPM, PSC	08216073	\$331
	CAPACITOR FOR THIS MOTOR, 2µF, 370V	202163009	\$51
	EVAPORATOR MOTOR, 208-230V, 1/20 HP, 1550 RPM, SP	08216071	\$212
	EVAPORATOR MOTOR, 208-230V, 50W, 1550 RPM, ECM	08216125	\$667
XN026M THRU XN037M, XN018L	CONDENSER MOTOR MOUNT	10243000	\$99
	EVAPORATOR MOTOR MOUNT	12003000	\$53
X*050M THRU X*134M, X*024L THRU X*068L	CONDENSER AND EVAPORATOR MOTOR MOUNT (FOR SP AND PSC MOTORS)	21062000	\$137
	CONDENSER AND EVAPORATOR MOTOR MOUNT LEG (FOR ECM MOTORS, 3 REQUIRED PER MOTOR)	08522938	\$43
XN026M THRU XN037M, XN018L	CONDENSER FAN, 10 INCH DIAM., 31° PITCH, CCW	204395018	\$53
	EVAPORATOR FAN, 8 INCH DIAM., 36° PITCH, CW	08221167	\$46
X*050M THRU X*134M, X*024L THRU X*068L	CONDENSER FAN, 12 INCH DIAM., 23° PITCH, CCW	08221169	\$77
	EVAPORATOR FAN, 10 INCH DIAM., 31° PITCH, CW (FOR SP AND PSC MOTORS)	08221168	\$49
	EVAPORATOR FAN, 10 INCH DIAM., 30° PITCH, CW (FOR ECM MOTORS)	08221174	\$49
	ALL	HIGH PRESSURE CONTROL, 400 PSIG	08219424
XT050M THRU XT134M, XT024L THRU XT068L	CONDENSER MOTOR PRESSURE CONTROL	08219417	\$392
XT106M AND XT134M, XT051L AND 068L	CONDENSER MOTOR TEMPERATURE CONTROL	08219019	\$77
XN018L THRU X*068L	DEFROST HIGH LIMIT THERMOSTAT	103079003	\$125
XN050M AND XN024L	EVAPORATOR MOTOR RELAY, 115 VOLT COIL	08218979	\$51
X*050M THRU X*134M, X*024L THRU X*068L	EVAPORATOR MOTOR RELAY, 208-230 VOLT COIL	08218181	\$54
XN026M THRU XN037M, XN018L	COMPRESSOR CONTACTOR, 115 VOLT COIL	08218979	\$51
XN050M AND XN024L	COMPRESSOR CONTACTOR, 115 VOLT COIL	08219002	\$97
X*050M THRU X*134M, X*024L THRU X*068L	COMPRESSOR CONTACTOR, 208-230 VOLT COIL	08219018	\$105
ALL 115 VOLT FREEZERS	ELECTRONIC CONTROLLER , PROGRAMMED - LOW TEMP	08522796	\$654
ALL 208-230 VOLT FREEZERS	ELECTRONIC CONTROLLER, PROGRAMMED- LOW TEMP	08522797	\$654
ALL 115 VOLT COOLERS	ELECTRONIC CONTROLLER , PROGRAMMED - HIGH TEMP	08522798	\$654
ALL 208-230 VOLT COOLERS	ELECTRONIC CONTROLLER, PROGRAMMED - HIGH TEMP	08522799	\$654
ALL	ELECTRONIC COMTROLLER BOX AND DEFROST TEMPERATURE SENSOR	08219958	\$76
ALL	LATCHES FOR EVAPORATOR COVER	08326021	\$26
ALL	GASKET FOR TOP AND BOTTOM OF EVAPORATOR SECTION (ORDER/ FT)	08343051	\$19
XN026M THRU XN037M, XN018L	DEFROST HEATER, COIL, 400 WATTS, 22.5" LONG, 120V	08215137	\$268
XN050ME44A, XN024L	DEFROST HEATER, COIL, 375 WATTS, 26.5" LONG, 120V	08215144	\$246
X*050M THRU X*076M, X*024L THRU X*043L	DEFROST HEATER, COIL, 375 WATTS, 26.5" LONG, 240V	08215138	\$270
X*106M THRU X*134M, X*051L AND X*068L	DEFROST HEATER, COIL, 600 WATTS, 40.5" LONG, 240V	08215139	\$379
XN026M THRU XN037M, XN018L	DEFROST HEATER, DP, 400 WATTS, 19.5" LONG, 120V	08215140	\$247
XN050ME44A, XN024L	DEFROST HEATER, DP, 500 WATTS, 22.0" LONG, 120V	08215145	\$259
X*050M THRU X*076M, X*024L THRU X*043L	DEFROST HEATER, DP, 500 WATTS, 22.0" LONG, 240V	08215141	\$275
X*106M THRU X*134M, X*051L AND X*068L	DEFROST HEATER, DP, 600 WATTS, 35.0" LONG, 240V	08215142	\$328
XT050M THRU XT134M, XT024L THRU XT068L	DRAIN LINE HEATER	08215143	\$170
XT050M THRU XT134M, XT024L THRU XT068L	DRAIN LINE THERMOSTAT	103079003	\$125

** REQUIRES THE PURCHASE OF A NEW MOTOR MOUNT (21062000) TO FIT THE MOTOR

MOTOR CROSS-REFERENCE CHART

MOTOR HP	VOLT	PH.	RPM	MODEL APPLICATION	PART NUMBER	LIST PRICE	SHPG WT LBS	
43 WATTS (INPUT) CW ROTATION	115V	1	3000	FT, MDF, MUF, MTW, SL, TT	102249005	\$166	2	
	230 V	1	3000		102249007	\$166	2	
4 WATTS	115V	1	1550	HI, TW, WA, WE	103104002	\$136	2	
9 WATTS	115V	1	1550	FL, FT, HI, TW, WA, WE	103104004	\$164	2	
	230V	1	1550	FL, FT, HI, TW, WA, WE	103104005	\$164	2	
16 WATTS (ALL ANGLE)	115 V	1	1550	AL, CTA, CTE, FL, FT, SL, ASL, WE	103104007	\$195	4	
	230 V	1	1550		103104008	\$195	3	
16 WATTS PSC (OPTIONAL no cap.)	115 V	1	1550	AL, CTA, CTE, FL, SL, ASL, WE	107933001	\$397	4	
	230 V	1	1550		107933002	NLA	—	
1/20 HP SHADED POLE	115 V	1	1550	ALL TEMP ² , ALL TEMP ² B & MINICON 1/2 - 2 HP	102540003 (USE 08216072)	NLA	—	
	115 V	1	1550		08216072	\$212	3	
	230 V	1	1550		102540004* (USE 08216071)	NLA	—	
	230 V	1	1550		08216071	\$212	3	
	460 V	1	1550		102540005	\$315	3	
1/20 HP PSC (OPTIONAL)	115 V	1	1550	ALL TEMP ² , ALL TEMP ² B	108178001 (USE 08216074)	NLA	—	
	115 V	1	1550		08216074	\$291	4	
	230 V	1	1550		108178002 (USE 08216073)	NLA	—	
	230 V	1	1550		08216073	\$331	4	
	230 V	1	1550		MINICON (ONLY)	108178002 (USE 08216073)	NLA	—
	230 V	1	1550		08216073	\$331	4	
1/20 HP SHADED POLE	115 V	1	1550	HI, TW, WA, WE	102540001	\$212	3	
	230 V	1	1550		102540002	\$230	3	
1/15 HP SHADED POLE	115 V	1	1050	INTER TEMP Prior to April, 1994	NLA	-	—	
	460 V	1	1050		NLA	-	—	
1/12HP SHADED POLE	115 / 230 V	1	1050	HI, TW, WA, RAC	08216119	\$594	8	
1/8 HP PSC	115 V	1	1075	INTER TEMP after March, 1996 (between 4/94 & 3/96 see page 9)	115248001	\$789	11	
	230 V	1	1075		115248002	\$789	11	
	460 V	1	1075		115248003	\$837	11	
1/6 HP SHADED POLE	115/230V	1	1050	SU, HI, TW, RAC, RE, RC, RS, MINICON 3 HP	102542007	-	—	
					08216025	-	—	
1/3 HP PSC	115 V	1	1075	SU Hi-Cap, UA, ASU, RC, REC, MINICON 4-6 HP	205051005	\$762	12	
	230 V	1	1075		205051004	\$396	12	
	460 V	1	1075		205051006	NLA	12	
1/3 HP PSC LO-GREASE	115 V	1	1075	INTER-TEMP, ULTRA-TEMP	205051020	\$856	12	
	230 V	1	1075		205051019	\$946	12	
	460 V	1	1075		205051021	\$1,044	12	
1/4HP (#130)	230 V	3	1140	SU, UA	NLA	-	—	
	460 V	3	1140		NLA	-	—	
1/3 HP	230/460 V	3	550	VRQ	119226000	\$1,290	13	
3/4HP TEAO	230/460 V	3	1140	TD, CAC, VAC 5-19,	NLA	-	—	
3/4HP PSC	230 V	1	1075	CAC, VAC 5-19, TD, RC, REC, DE, DS	205051009	\$1,044	18	
	460 V	1	1075		205051002	\$1,149	17	
3/4HP PSC	230 V	1	1075	CAC VARI SPEED	205051015	\$1,276	20	
	460 V	1	1075		205051016	\$1,382	20	
3/4HP PSC	208-230 V	1	1625	UT, ASU, AUT	205051007	\$1,069	18	
	460 V	1	1625		205051008	\$1,150	17	
3/4HP	230/460 V	3	1725	UT, ASU, AUT	123123000	\$1,155	18	
3/4HP LO-GREASE	230/460 V	3	1725	UT, ASU, AUT	125101000	\$2,088	18	
3/4HP PSC LO-GREASE	208-230 V	1	1075	UT, UA	118187000	\$1,318	18	
	460 V	1	1075		118186000	\$1,509	17	
1 HP	230/460 V	3	850	VEQ	114105000	\$2,329	24	
1-1/2 HP	208-230/460 V	3	1140	VAC 22-144, CAC 56-72	110204000	\$1,672	37	

* Replacement for All- Temp models ONLY, see note below for MiniCon models
 NLA - NO LONGER AVAILABLE



PRINCIPAL TERMS AND CONDITIONS OF SALE

1. **Applicable Law and Terms of Sale:** All orders shall be subject to the following terms and conditions notwithstanding any additional or contrary printed terms and conditions of Buyer. Such additional or contrary terms shall not bind Seller unless accepted in writing even though such terms do not materially alter the terms hereof. No oral statements, warranties, stipulations, representations or terms shall have any binding effect or be any part of the contract whatsoever.
2. **Orders:** All orders must be in writing and will be binding when our order acknowledgment is mailed. Orders are accepted subject to strikes, fires, accidents, and other causes beyond our reasonable control. Acceptance of your order is conditioned upon an agreement to hold us harmless by reason of delivery delays.
3. **Prices:** Prices are subject to change without notice, and all quotations, unless otherwise specified, are binding only for immediate acceptance. Prices are based on material made to Seller's standard tolerances, unless otherwise specified.
4. **Freight:** All products are shipped FOB Point of Shipment with full freight allowed on single orders with a net price value of \$10,000.00 or more, except surface coils and parts, within the continental USA (excluding Alaska and Hawaii). Routing and selection of carrier will be made by Seller. For special routing requests, Buyer will bear all additional costs for such routing. Equipment is shipped at Buyer's risk. Buyer should examine equipment before signing transportation receipt. If equipment is received damaged or if quantity received does not match freight bill, the Buyer should require agent to so indicate on freight bill and immediately file a damage/missing claim. Our liability ceases upon delivery of equipment in good order to the freight carrier.
5. **Taxes:** Any sales, use, excise, or similar tax payable by Seller which is or may be imposed by any taxing authority upon manufacture, sale or delivery of goods covered by any order or any increase in rate of any such tax now in force, shall be added to the sales price; if not collected at the time of payment of sales price, Buyer will hold Seller harmless.
6. **Limited Warranty:** Seller warrants against defect in materials and workmanship in products which it manufactures for (1) year from date of installation or up to (18) eighteen months from the date of shipment, whichever event occurs first, when properly installed and operated under normal use. This guarantee does not include any labor or other charges made outside of the Seller's factory for replacement or repair of defective parts unless specifically stated in the body of the Seller's invoice. On parts not manufactured by Seller, such as motors, controls, valves and compressors we extend to the Buyer the same warranties made to us by the manufacturer. Seller's only liability under this warranty or otherwise shall be the repair or replacement (at Seller's option) of non-conforming goods or parts. Seller assumes no liability for incidental or consequential damages such as injury to person or property, or lost profits.
7. **THIS GUARANTEE SUPERSEDES AND IS IN LIEU OF ANY AND ALL OTHER WARRANTIES BY LAW OR CUSTOM, EITHER EXPRESSED OR IMPLIED INCLUDING, BUT NOT LIMITED BY THIS ENUMERATION, ANY GUARANTEE AS TO QUALITY OR FITNESS FOR ANY PARTICULAR PURPOSE, EXCEPT AS SET FORTH ABOVE. NO PERSON, AGENT, OR DEALER IS AUTHORIZED TO GIVE ANY WARRANTIES ON BEHALF OF SELLER NOR TO ASSUME FOR SELLER ANY OTHER LIABILITY IN CONNECTION WITH ANY OF THE SELLER'S PRODUCTS.**
8. **Delivery:** Seller shall not be liable for any delays in or failure of delivery due to acts of God or public authority, labor disputes, accidents, fires, floods, extreme weather conditions, failure of and delays by carriers, shortages of material, delays of a supplier, and any other cause beyond Seller's control. In no event shall Seller be liable for consequential or special damages arising out of a delay in or failure of delivery. Failure to meet estimated ship dates will not be considered sufficient cause of cancellation of orders.
9. **Cancellations and Returned Goods:** Permission to return any part or product must be obtained from Seller and may be subject to a restocking charge. Credits for new material accepted for return will be at the original sales price or current market price, whichever is lower, less handling and restocking charges. Buyer must prepay all transportation charges. Any costs for putting material in condition for resale will be charged to the Buyer. Shipment of material returned without factory authorization or not properly tagged with a Return Material Authorization Number or not freight prepaid cannot be received by Seller. Obsolete products or material made to special order are not returnable.
10. **Catalog Materials and Drawings:** Seller is not responsible for typographical errors or other errors of omission in Seller's catalogs or drawings.
11. **Late Charge Provision:** Buyer agrees to pay a late charge of 1-1/2% per month (18% per year) for any invoice or bill not paid within (30) thirty days of the date of the billing invoice.
12. **Choices of law, Disputes:** This agreement and the performance of the parties hereunder shall be construed in accordance with and governed by the laws of the State of Georgia and shall be deemed made in the state. Buyer irrevocably consents to the exclusive jurisdiction of the courts of Fulton County, on all matters arising out of or relating to this sale and Buyer further irrevocably consents to service of process by certified mail, return receipt requested, at Buyer's address set forth in the order acknowledgement.

The above terms and conditions apply to all orders placed with the Seller. Buyer acknowledges having read and understood these terms and conditions and agrees to abide by them upon placement of any order with the Seller. In the event it becomes necessary to refer the account to a collection agency or to institute legal action to obtain payment of the account, Buyer agrees to pay all reasonable attorney fees and court costs incurred by such action.

