



rGoggle Play

VR GOGGLES FOR SMARTPHONES

Welcome to RIOTORO

Thank you for purchasing the rGoggles

Step into a new dimension of entertainment.

rGoggles transforms your smartphone into an immersive virtual reality experience. Advanced optics and a wide field of view bring games, videos, and interactive worlds to life with remarkable clarity and depth.

Designed for comfort, rGoggles features a lightweight, ergonomic fit with adjustable cushioning for extended sessions. Wireless connectivity and intuitive controls keep you focused on the experience, while a secure smartphone mount ensures everything stays perfectly in place.

From exploring distant worlds to discovering new ways to play, rGoggles unlocks immersive experiences wherever you are.

Note: This manual is a guide for the rGoggles. For instructions on installing other components, please refer to their documentation.



CONTENTS

1	Before You Begin	
	- At a glance	4
	- What is in the box	5
	- Precautions	6
	- Requirements	7
2	Ready, Setup, Go	
	- Specifications	9
	- Startup	10
	- Insert your mobile devise	11
	- Adjusting	13
	- Usage	14
	- Play / Pause	15
- Controller	16	
3	Top / Front Panel Assembly	
	- General Maintenance	18
	- Important Safety Information	19
	- Limited product warranty ("Limited Warranty")	20
	- Troubleshooting your new RCAM	21
- Recommended parts	22	

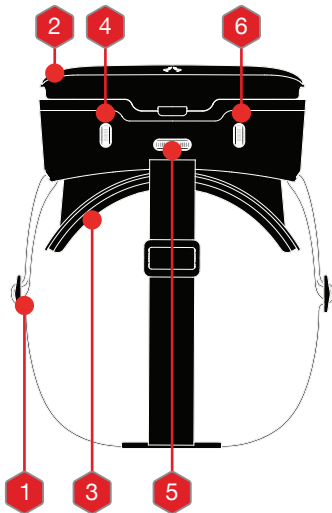


1

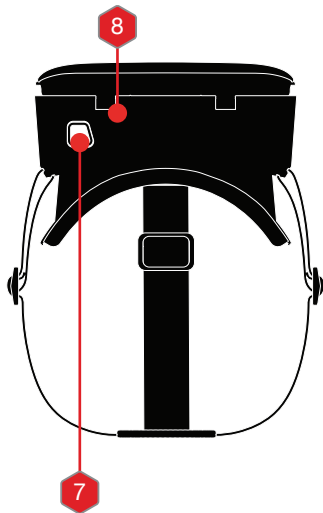
Before You Begin

www.riotoro.com

At a glance





1. Adjustable head band
2. Front panel
3. Face Foam
4. Left focal distance adjustment
5. Pupil distance adjustment
6. Right focal distance adjustment



7. Play/Pause button
8. ABS plastic body

What's in the box

ITEM	DESCRIPTION	USE	QTY
 1	RGOGGLES	VR viewing experience	1
 2	Cleaning Cloth	Cleaning	1

PRECAUTIONS

Please take the following precautions:

- Handle the RGOGGLES with care.
- Avoid drops and bumps as they might scratch or damage the device.
- To avoid damaging components by electrostatic discharge, periodically ground yourself by touching an unpainted metal surface or by using a wrist grounding strap.
- Before using, make sure the mobile device is correctly aligned.
- Always be aware of your surroundings before starting and while using the headset.
- Use caution to avoid injury.
- Only use the headset indoors, in a clear, safe area, including overhead, to avoid striking walls, furniture, objects, fans, people, and pets.
- Avoid tripping hazards, such as rugs, uneven floors, wires, and cords.
- New users of virtual reality are encouraged to stay seated while they are in the VR session to avoid disorientation, motion sickness, and balance issues.
- Be mindful of nearby objects such as computers, monitors, counter tops, furniture, and other people.

REQUIREMENTS

In order to configure the rGoggles you will need:

1. A compatible mobile device,
2. A VR app installed on your mobile device,
3. Internet connection to stream content or content already downloaded.

Notes: - Virtual reality glasses use your mobile device VR application to show content, they do not work without a smartphone. The mobile device is not included. Handle all components with care, should you need any assistance go to www.riotoro.com/support

2

Ready, Setup, Go

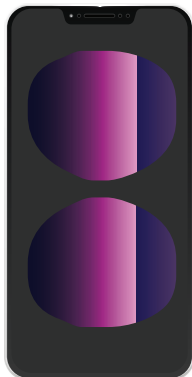
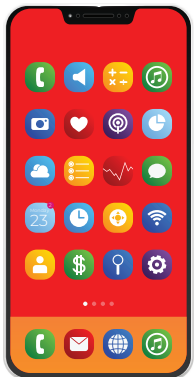
www.riotoro.com

SPECIFICATIONS

- Material:	ABS Plastic
- Virtual Screen Size:	50"-80"
- Field of view:	90-100°
- IPD adjustment:	60-70mm
- Fixed Focal:	37.5-46.5mm
- Lens:	40mm diameter HD resin spherical lens
- Anti Blue Ray:	Yes
- Suitable for glass wearing:	Yes
- Cushioning material:	High-quality foam and synthetic leather
- Support mobile phone:	4.7-7.0in Android & IOS
- Certification:	CE
- Play/Pause:	Yes
- Volume control:	No
- Audio Jack:	No

Startup

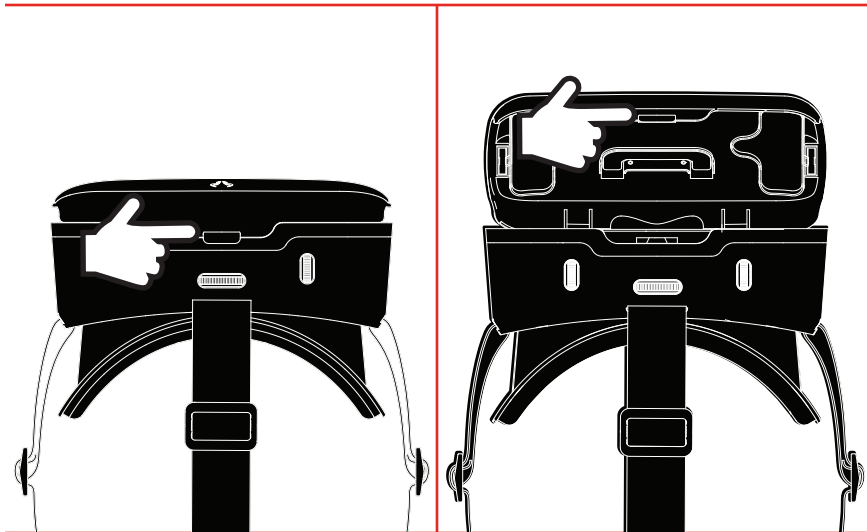
Open the VR app on your mobile device, then download and open the videos or games to test whether the device are split screen on the left & right sides and can play normally.



Tips: - Ensure you have a VR app on your device, if you have not installed a VR app go to Android market or Apple app store to download VR resources on mobile phone (better user WIFI connection), select and install app according to mobile system.

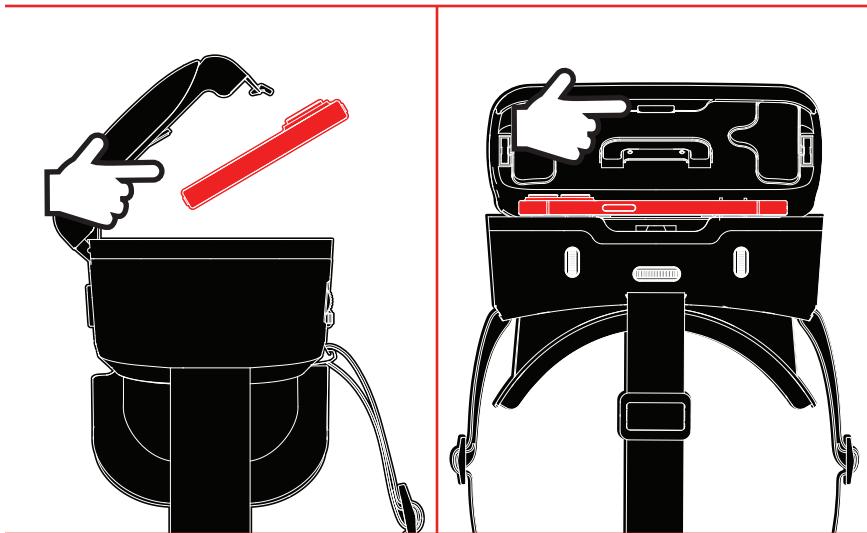
Insert your mobile devise

Place the goggles facing upwards and gently open the cover plate by lifting the lock tab.



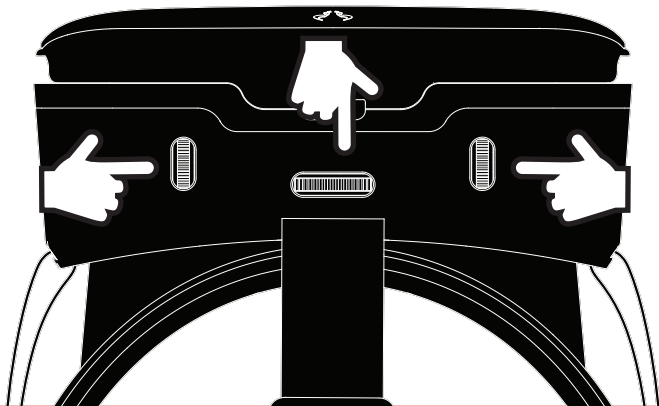
Insert your mobile devise

Place your mobile devise into the VR headsets, make sure that the screen is centered and facing towards the lenses. Once it is in place, gently close the cover.



Adjusting

Once you put on the VR headset, you will need to adjust the pupil distance by adjusting the focal distance, this will ensure you will get the best experience.



Tips: - It is design to use with or without glasses.

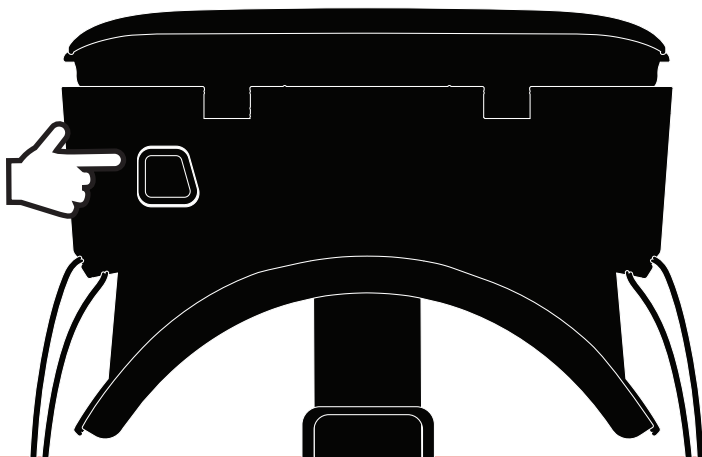
Usage

Once secured, you're ready to dive in. The phone's gyroscope will track your head movements, allowing you to control the game with intuitive head gestures. Tilt your head to look around, and rotate it to aim and interact.



Play / Pause

For your convenience the VR headset is equipped with a play / pause button for on-the-fly control.



Tips: - you are still able to use all your mobile device functionalities through your virtual assistant.

Controller

Elevate your VR gaming experience with Bluetooth media control. Seamlessly transition between immersive head gestures and controller precision for optimal game play.



Tips: - Most VR games can be controlled through the gyroscope, no need Bluetooth controller, please refer to the game play tips to see if your device is necessary with it or not.

3

Everything Else

www.riotoro.com

General maintenance

Follow these tips to get the best performance from your device:

1. **Lens care:** A smudge-free lens is a happy lens. Gently wipe them with a microfiber cloth, avoiding harsh chemicals. For stubborn spots, a lens cleaner is your friend.
2. **Exterior Clean-Up:** Dust and sweat can build up on your headset's exterior. A damp cloth can easily wipe it away. For a deeper clean, a mild soap solution works wonders.
3. **Sanitize Your Face:** The face padding can harbor germs. Remove it (if possible) and wash it with mild soap and water. If it's not removable, use a sanitizing wipe.
4. **Cable Care:** Tangled cables can be a hassle. Use cable management tools to keep them organized and prevent damage.
5. **Safe Storage:** When not in use, store your headset in a cool, dry place, away from direct sunlight. A protective case can provide extra shielding.

Note: Do not spray liquid directly onto the case, liquid could drip inside it and cause mold.

Important safety information

- Do not drop, disassemble, open, crush, bend, deform, puncture, shred, microwave, incinerate, or paint your devise.
- Do not insert foreign objects into any opening on the devise.
- Do not use your devise if it's been damaged—for example, if cracked, punctured, or harmed by water.
- Disassembling or puncturing the integrated parts can cause discomfort during use.

Limited product warranty ("Limited Warranty")

Limited Warranty. RIOTORO warrants the Product to be free from defects in materials and workmanship when used normally in accordance with the official documentation for the applicable Warranty Period from the date of retail purchase.

Exclusions and Limitations. This Limited Warranty does not cover:

- Software, including (without limitation) software added to the RIOTORO-branded hardware products or third-party software;
- Non-RIOTORO branded products and accessories, even if packaged and sold with the Product;
- Problems with and/or damage to the Product caused by using accessories, parts, or components not made by RIOTORO;
- Damage caused by service (including upgrades and expansions) performed by anyone who is not officially acting as an employee, representative or sub-contractor of RIOTORO;
- Claims arising from any unacceptable use or care of the Product;
- Claims arising from external causes, including (without limitation), accidents, acts of God, liquid contact, fire or earthquake;
- Products with a serial number or date stamp that has been altered, obliterated or removed;
- Cosmetic damage, minor cosmetic abnormalities (including minor pixel abnormalities) and normal wear and tear, including (without limitation) scratches, dents and chips.

For the latest and current terms of the Limited Product Warranty, please visit www.riotoro.com/warranty.

Troubleshooting your new devise

My phone doesn't fit

The rGoggles have been design to fit most popular mobile devises in the market. It fits devises ranging 4.7 to 6.8 inches, if the phone is too small, you can also buy thin rubber and foam to create a cushion.

My phone isn't centered in the holder

The best way to fix this is to find a feature that shows the middle line of the two images on your phone, and alternately look through each eye while trying to make the line disappear. Because most cases have a barrier between the eye pieces, that barrier should hover over the line and make it invisible, thus meaning your phone is truly centered.

My phone is overheating

This is a problem with certain phones more than others, but it's likely an issue of background applications. Turn off background updating and background applications. If each app uses just 5% of a CPU, and you have ten apps open, you've already killed half your CPU and have the resultant heat to deal with. Turn everything off.

Recommended accessories



RTROL: The rTrol, a marvel of gaming technology, redefines game play. Its sleek, symmetrical design fits comfortably in either hand, while the round grip ensures a secure hold.



RPODS: Enjoy your favorite games with the RPODS CLASSIC true wireless earbuds enabled with DSP Noise Cancellation. The 6.0mm drivers enrich your listening experience with high-fidelity sound, and on-board touch controls let you manage your RPODS CLASSIC with a tap.



AVIATORS: Immerse yourself in the game with Aviator CLASSIC II's 7.1 surround sound, personalized comfort and for PCs, consoles and mobile devices.



RCAM MAX: Step up your game beyond your desktop with the riotoro RCAM MAX web camera. Designed for fun, equipped with powerful components, and provides unlimited possibilities – take it camping, skiing, diving or use it for you streams or video calls.



RMIC DESKTOP: Features a custom mic capsule to provide an exceptional voice presence for pro-level recording or streaming. Ready to rock out of the box, no need to configure anything to broadcast yourself with crystal clear sound.



© 2014-2026 RIOTORO. All rights reserved. RIOTORO, the RIOTORO logo, and RCAM are trademarks of RIOTORO llc., Registered in the U.S. and other countries. All other trademarks are the property of their respective owners. Product may vary slightly from those pictured.

Technical Support and Customer Service
US & Canada
1-888- 270-7090
support@riotoro.com
sales@riotoro.com

© Copyright 2014-2026 RIOTORO. All rights reserved.
All trademarks are the property of their respective owners.
Reproduction in whole or part without written permission is prohibited.

www.riotoro.com