



DunbartonTM CORPORATION

868 MURRAY ROAD DOTHAN, AL 36303 PH. (334) 794-0661

"REDIFRAME PD" HOLLOW METAL FRAME INSWING / OUTSWING "IMPACT"

GENERAL NOTES

1. This product has been evaluated and is in compliance with the 2010 Florida Building Code (FBC) structural requirements excluding the "High Velocity Hurricane Zone" (HVHZ).
2. Product anchors shall be as listed and spaced as shown on details. Anchor embedment to base material shall be beyond wall dressing or stucco.
3. When used in areas requiring wind borne debris protection this product complies with Section 1609.1.2 of the FBC and does not require an impact resistant covering. This product meets missile level "D" and includes Wind Zone 4 as defined in ASTM E 1996 and Section 1609.1.2.4 of the FBC.
4. Site conditions that deviate from the details of this drawing require further engineering analysis by a licensed engineer or registered architect.

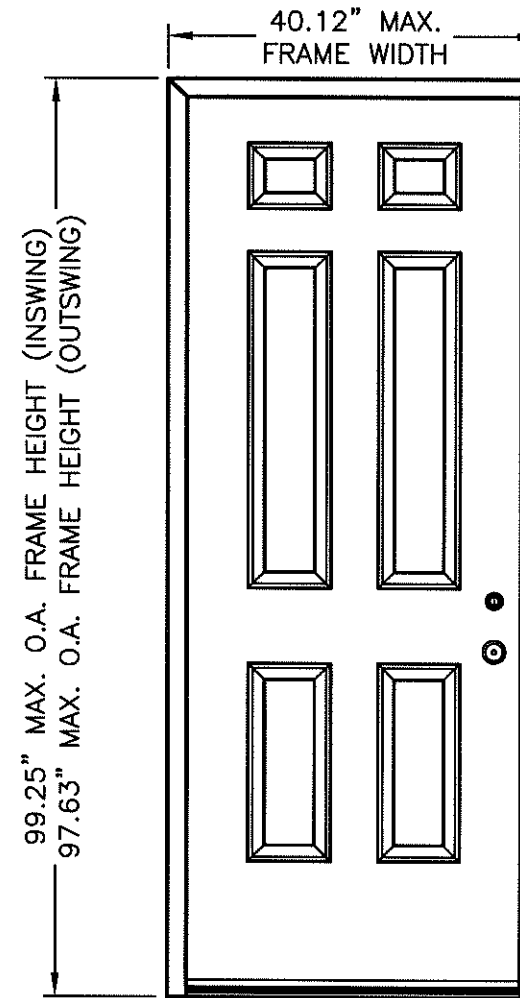


TABLE OF CONTENTS	
SHEET #	DESCRIPTION
1	TYPICAL ELEVATIONS, DESIGN PRESSURES & GENERAL NOTES
2	DOOR PANEL DETAILS (Taylor steel door)
3	DOOR PANEL DETAILS (JELD-WEN steel door)
4	DOOR PANEL DETAILS (Masonite steel door)
5	HORIZONTAL & VERTICAL CROSS SECTIONS
6	FRAME ANCHORING
7	COMPONENTS
8	BILL OF MATERIALS & COMPONENTS

DOOR TYPE	O.A. FRAME DIMENSION		DESIGN PRESSURE			
	INSWING	OUTSWING	INSWING		OUTSWING	
			POSITIVE	NEGATIVE	POSITIVE	NEGATIVE
TAYLOR STEEL DOOR	40.12"	40.12"	+60.0	-65.0	+60.0	-60.0
JELD-WEN STEEL DOOR	x 99.25"	x 97.63"	+65.0	-65.0	+65.0	-65.0
MASONITE STEEL DOOR			+55.0	-60.0	+55.0	-55.0

Documents Prepared By:

RW BUILDING CONSULTANTS, INC.
P.O. Box 230 Valrico FL 33595
Phone No.: 813.659.9197
Florida Board of Professional Engineers
Certificate Of Authorization No. 9813
LFS 10.30.12
Lyndon F. Schmidt, P.E. No. 43409

PRODUCT: DUNBARTON STEEL DOORS

IN A HOLLOW METAL FRAME

PART OR ASSEMBLY:

TYPICAL ELEVATIONS, DESIGN PRESSURES & GENERAL NOTES

NO.	DATE	BY	REVISIONS
1	10/18/12	JK	REVISE TO 2010 FBC

DATE: 07/26/07

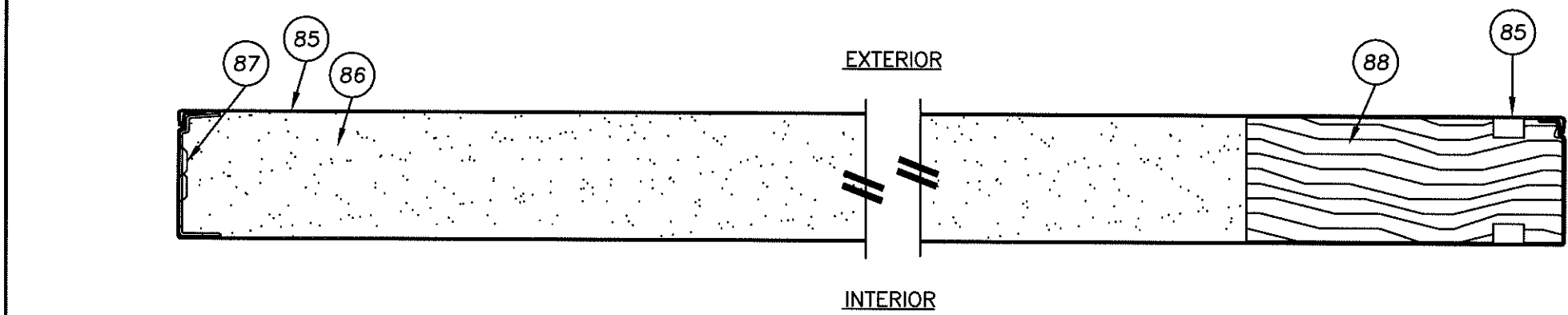
SCALE: N.T.S.

DWG. BY: EW

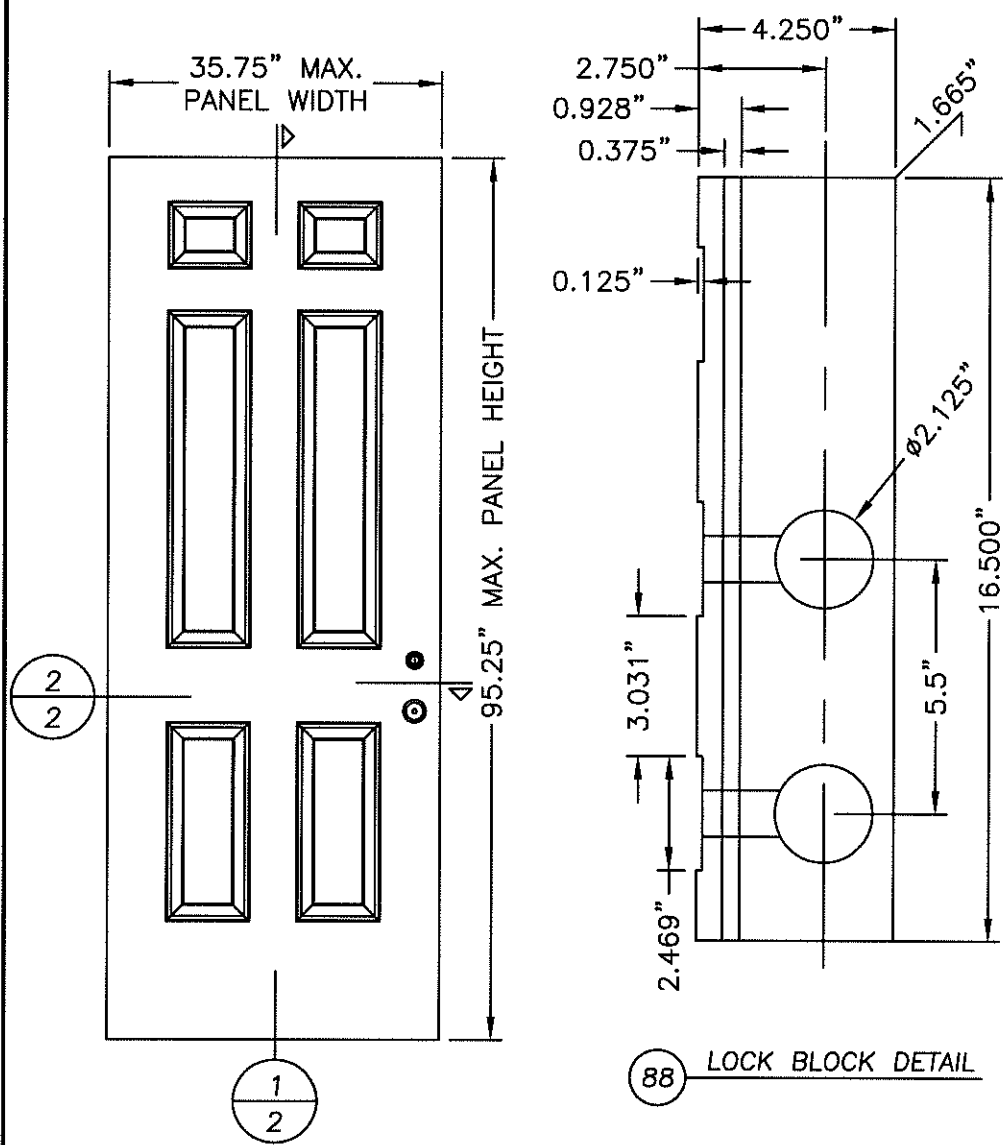
CHK. BY: LFS

DRAWING NO.: FL-9231.2

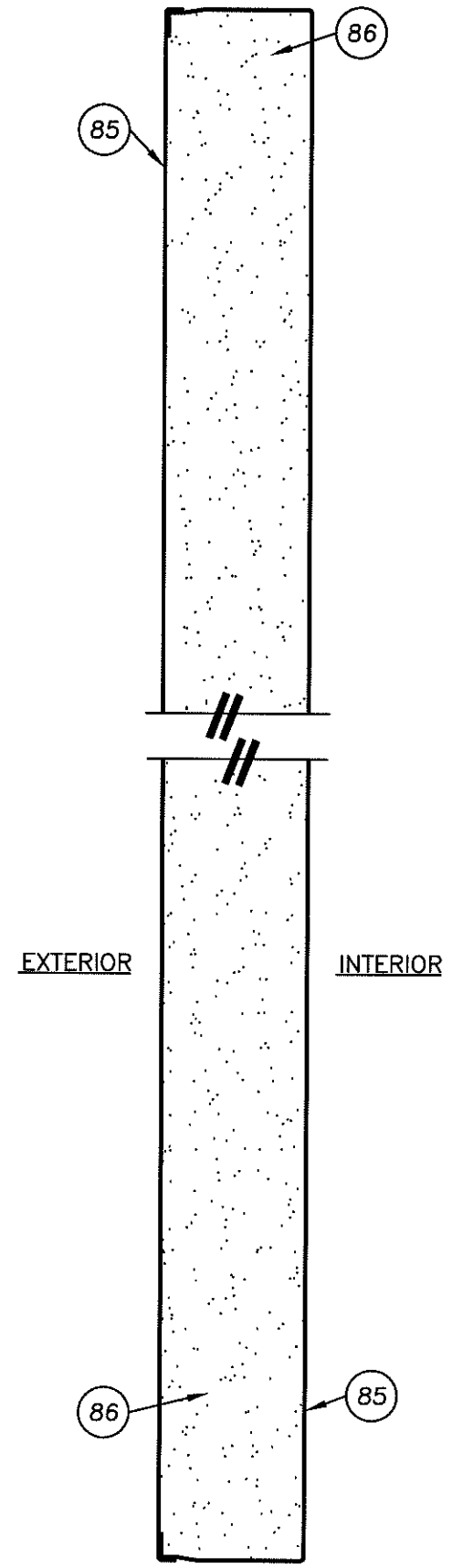
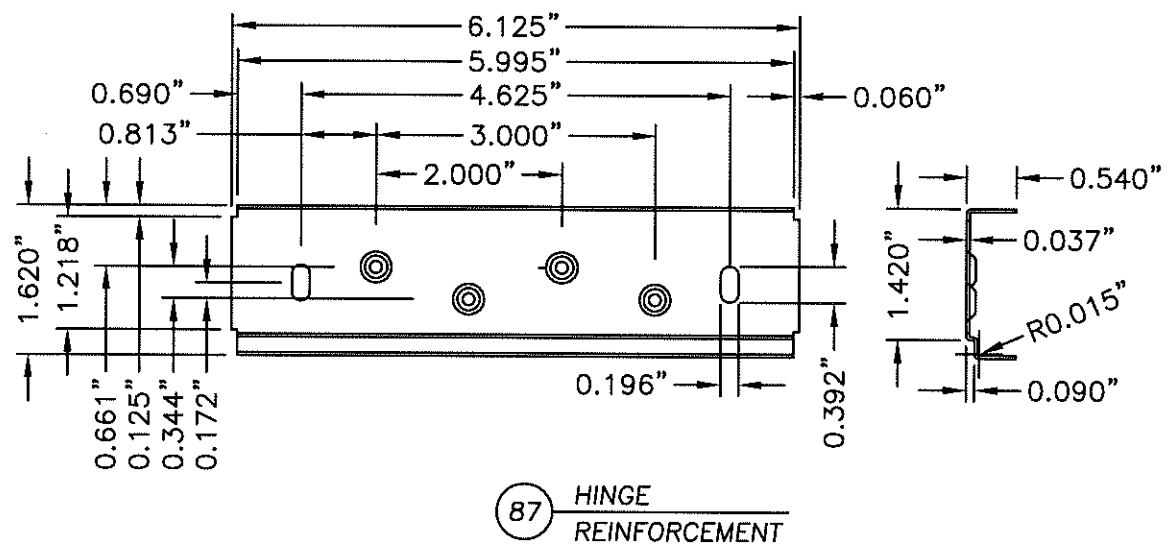
SHEET 1 OF 8



2 HORIZONTAL CROSS SECTION
2 TAYLOR STEEL OPAQUE DOOR



1 VERTICAL CROSS SECTION
2 TAYLOR STEEL OPAQUE DOOR



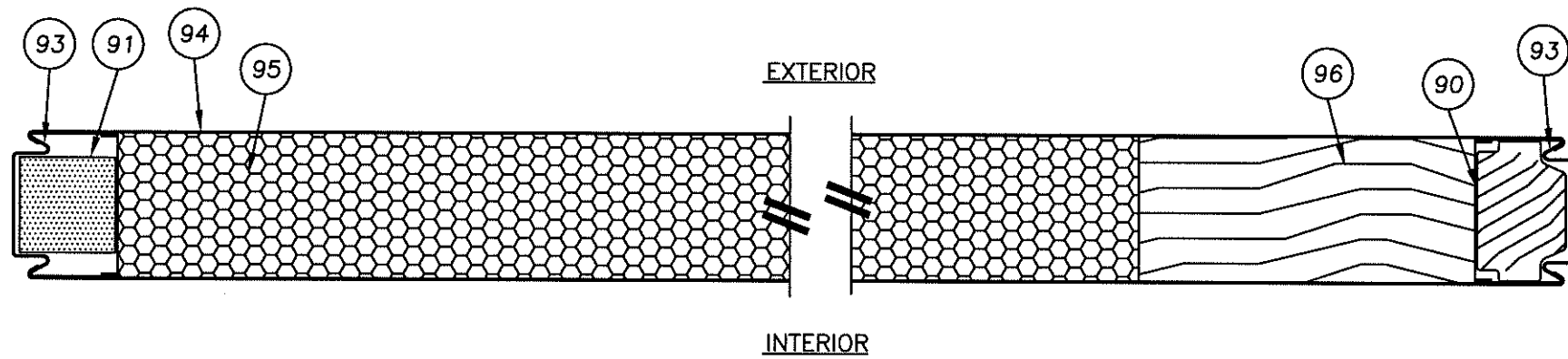
Documents Prepared By: **RW** BUILDING CONSULTANTS, INC.
P.O. Box 230 Valrico FL 33595
Phone No.: 813.659.9197
Florida Board of Professional Engineers
Certificate Of Authorization No. 9813
LFS 10.30.12
Lynden F. Schmidt, P.E. No. 43409

PRODUCT: DUNBARTON STEEL DOORS IN A HOLLOW METAL FRAME
PART OR ASSEMBLY: DOOR PANEL DETAILS (TAYLOR STEEL DOOR)

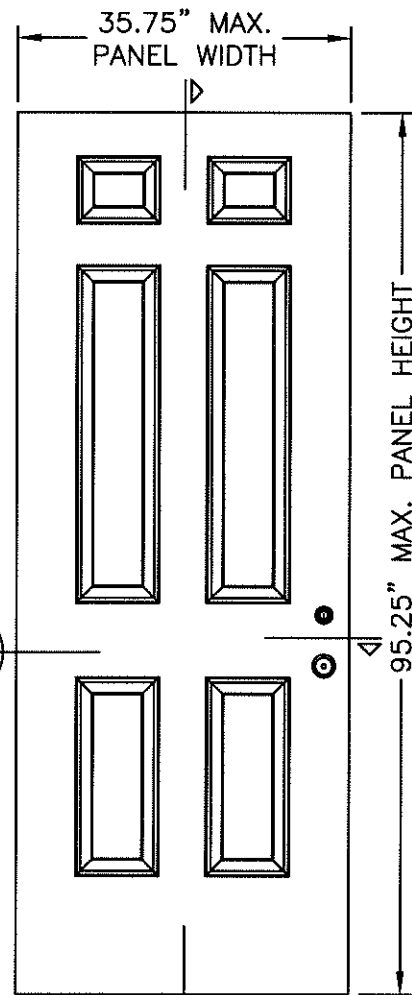
NO.	DATE	REVISIONS
1	10/18/12	REVISE TO 2010 FBC
2		

DATE: 07/26/07
SCALE: N.T.S.
DWG. BY: EW
CHK. BY: LFS
DRAWING NO.: FL-9231.2
SHEET 2 OF 8

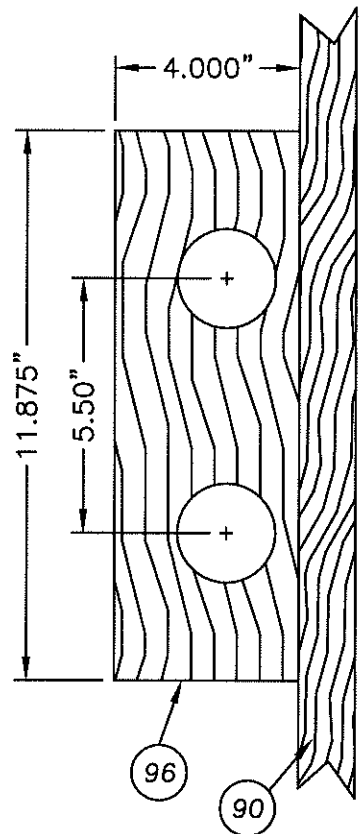
© 2007 R.W. BUILDING CONSULTANTS INC.



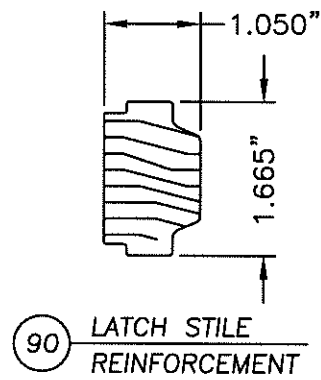
2 HORIZONTAL CROSS SECTION
3 JELD-WEN STEEL OPAQUE DOOR



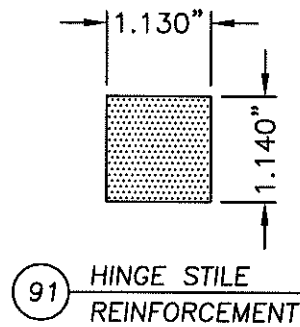
1 VERTICAL CROSS SECTION
3 JELD-WEN STEEL OPAQUE DOOR



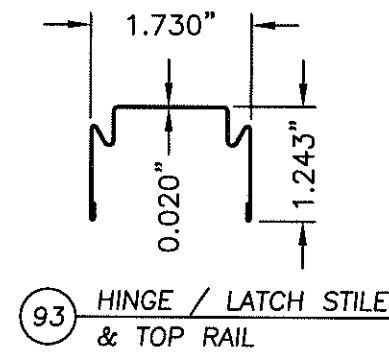
96 LOCK BLOCK DETAIL



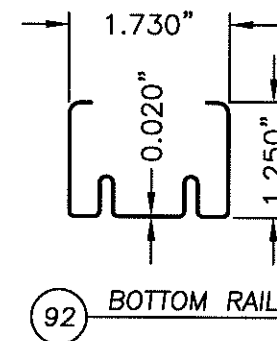
90 LATCH STILE REINFORCEMENT



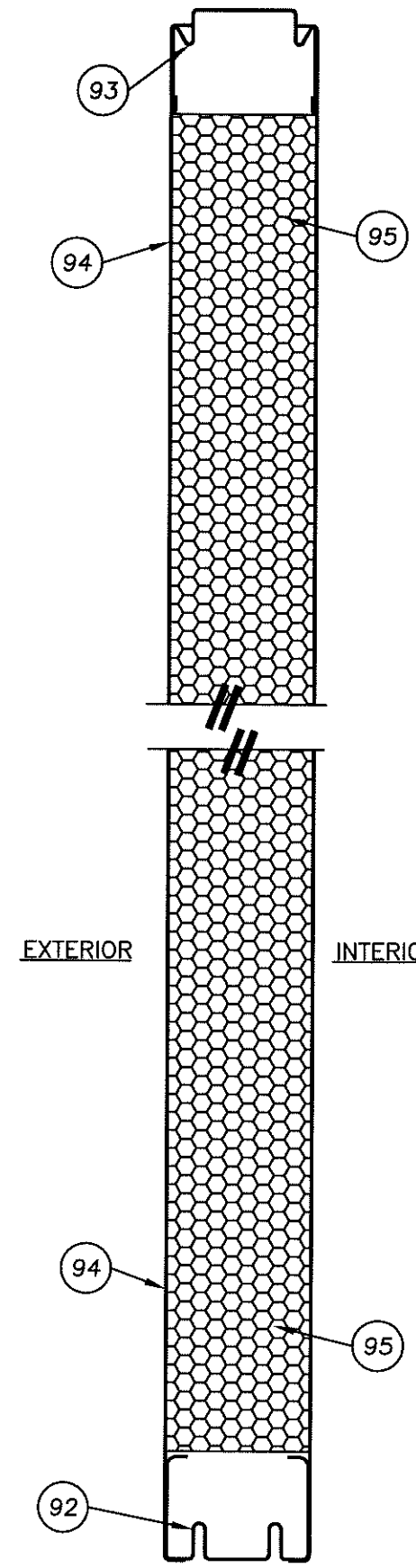
91 HINGE STILE REINFORCEMENT



93 HINGE / LATCH STILE & TOP RAIL



92 BOTTOM RAIL



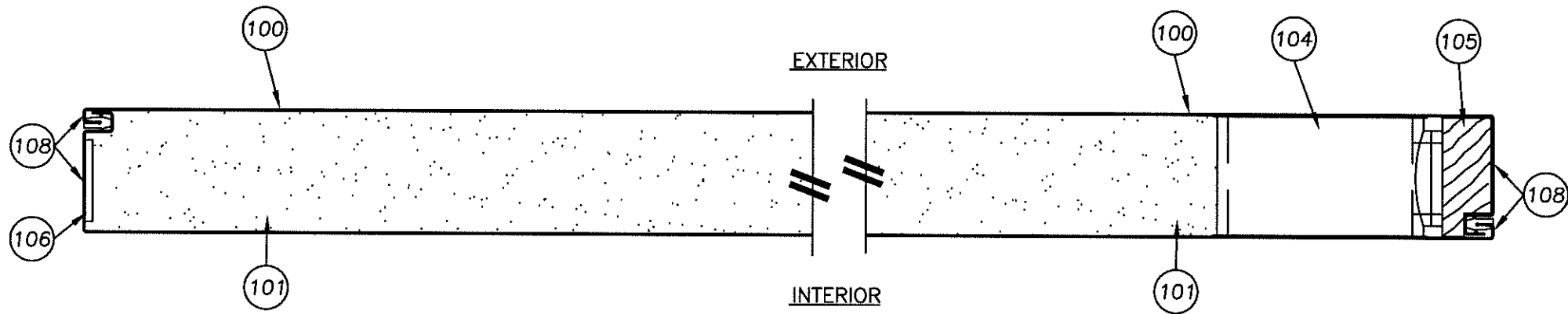
1 VERTICAL CROSS SECTION
3 JELD-WEN STEEL OPAQUE DOOR

Documents Prepared By:
RW BUILDING CONSULTANTS, INC.
P.O. Box 230 Valrico FL, 33595
Phone No.: 813.659.9197
Florida Board of Professional Engineers
Certificate Of Authorization No. 9813
Lynden F. Schmidt, P.E. No. 43409

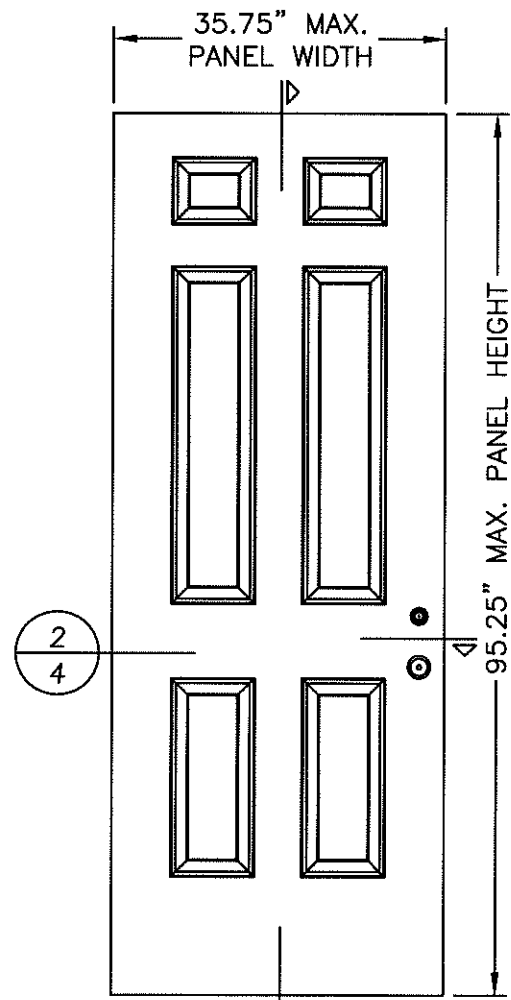
PRODUCT: DUNBARTON STEEL DOORS IN A HOLLOW METAL FRAME
PART OR ASSEMBLY: DOOR PANEL DETAILS (JELD-WEN STEEL DOOR)

NO.	DATE	REVISIONS
1	10/18/12	REVISE TO 2010 FBC
		JK BY

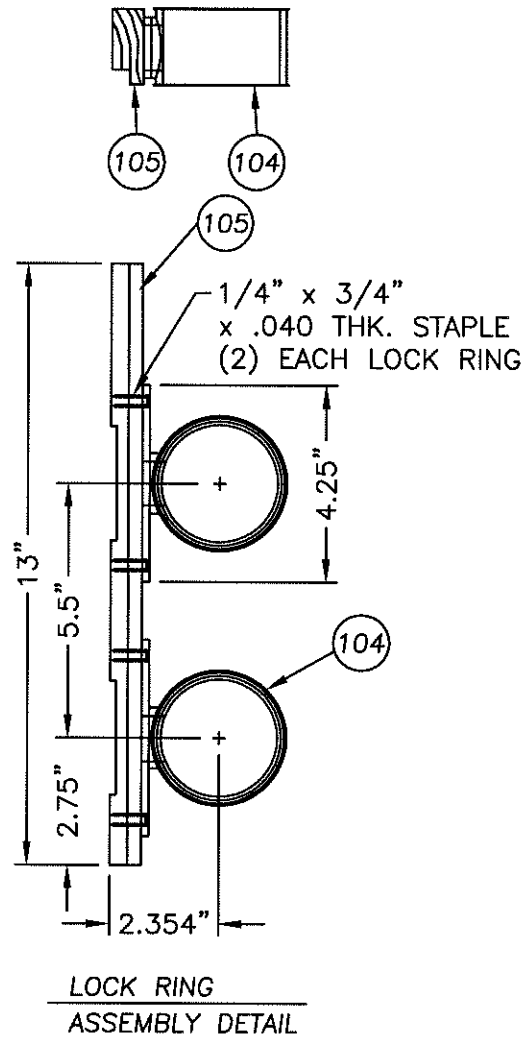
DATE: 07/26/07
SCALE: N.T.S.
DWG. BY: EW
CHK. BY: LFS
DRAWING NO.: FL-9231.2
SHEET 3 OF 8



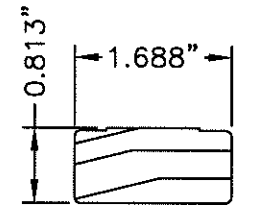
2 HORIZONTAL CROSS SECTION
4 MASONITE STEEL OPAQUE DOOR



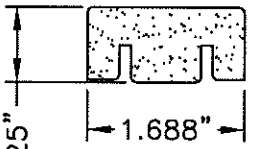
1
4



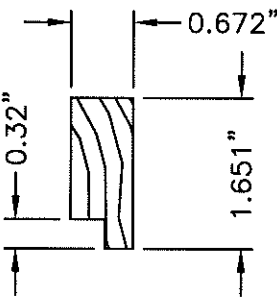
LOCK RING
ASSEMBLY DETAIL



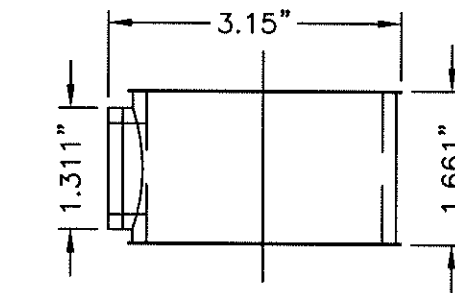
102 TOP RAIL



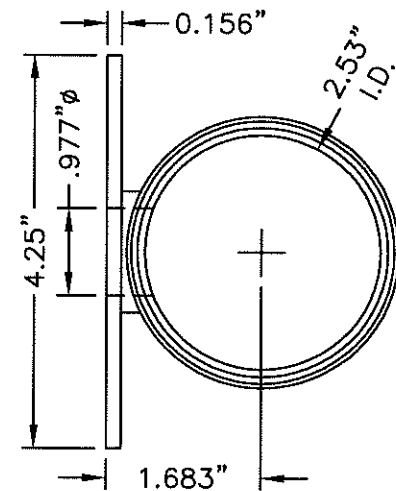
103 BOTTOM RAIL



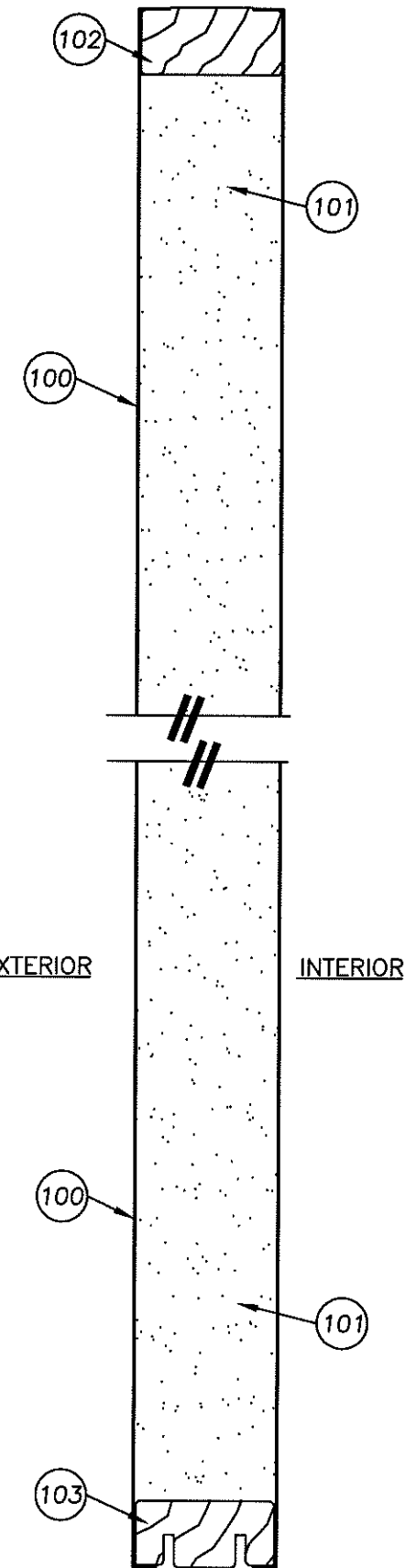
105 LOCK RING STYLE



107 STEEL DOOR STYLE
CLOSURE

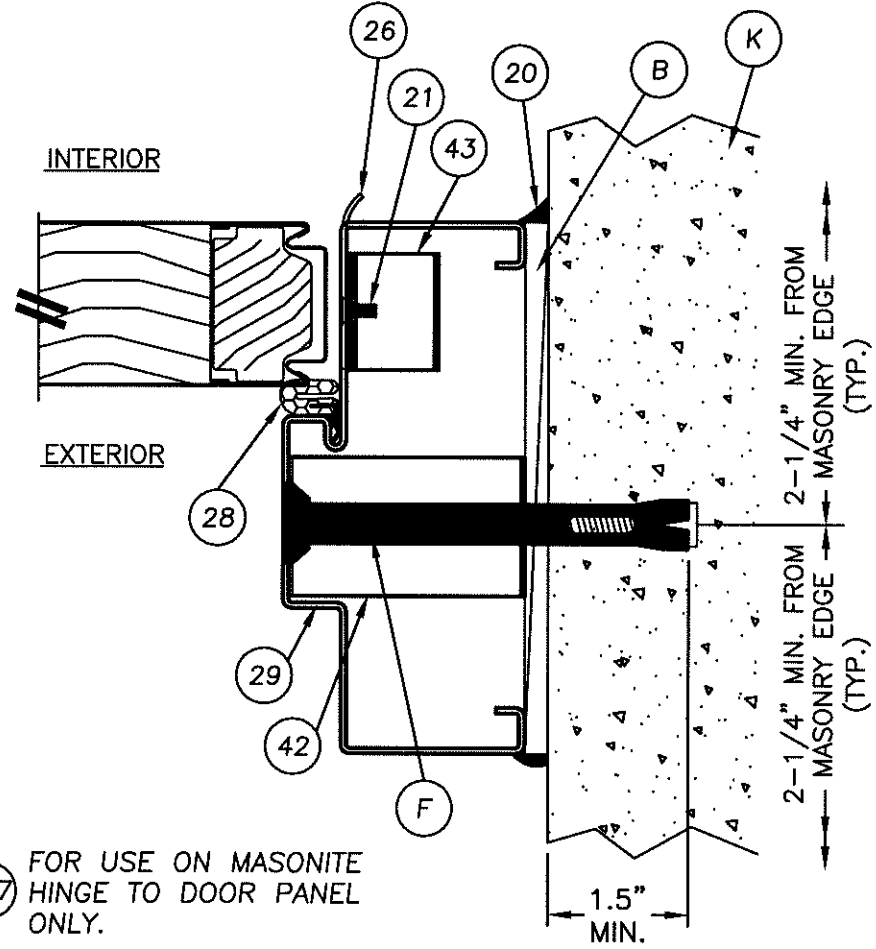
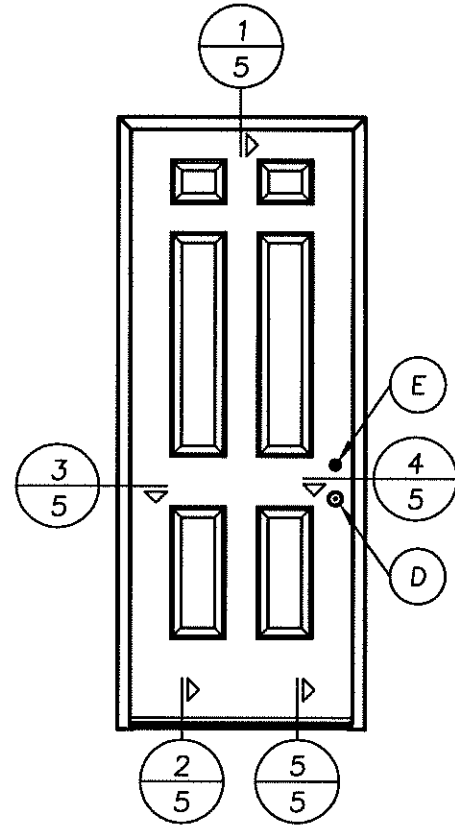


104 LOCK RING

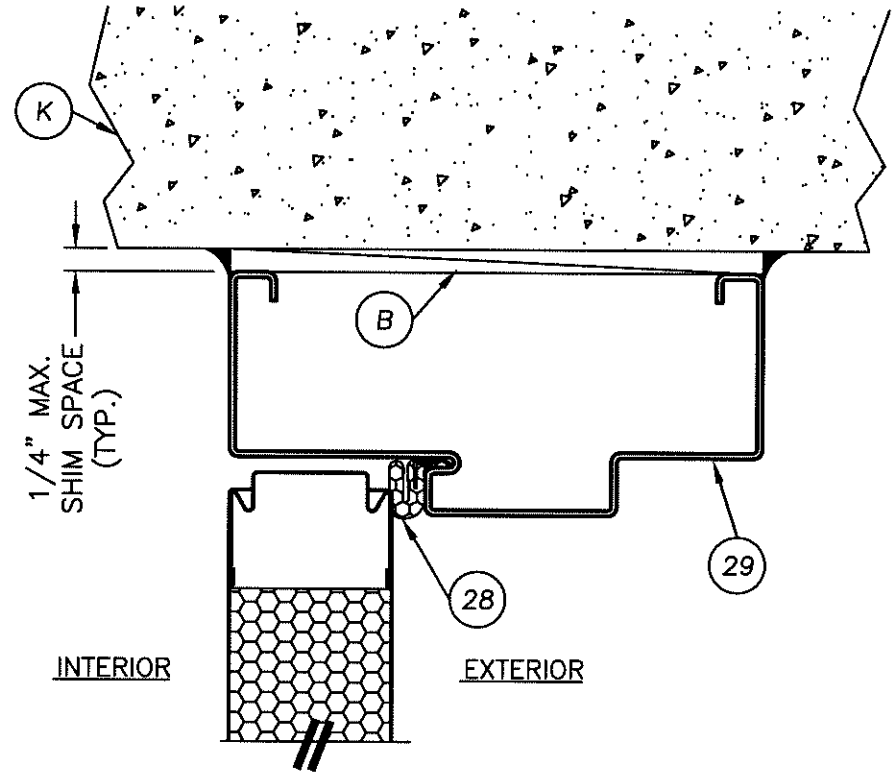


1 VERTICAL CROSS SECTION
4 MASONITE STEEL OPAQUE DOOR

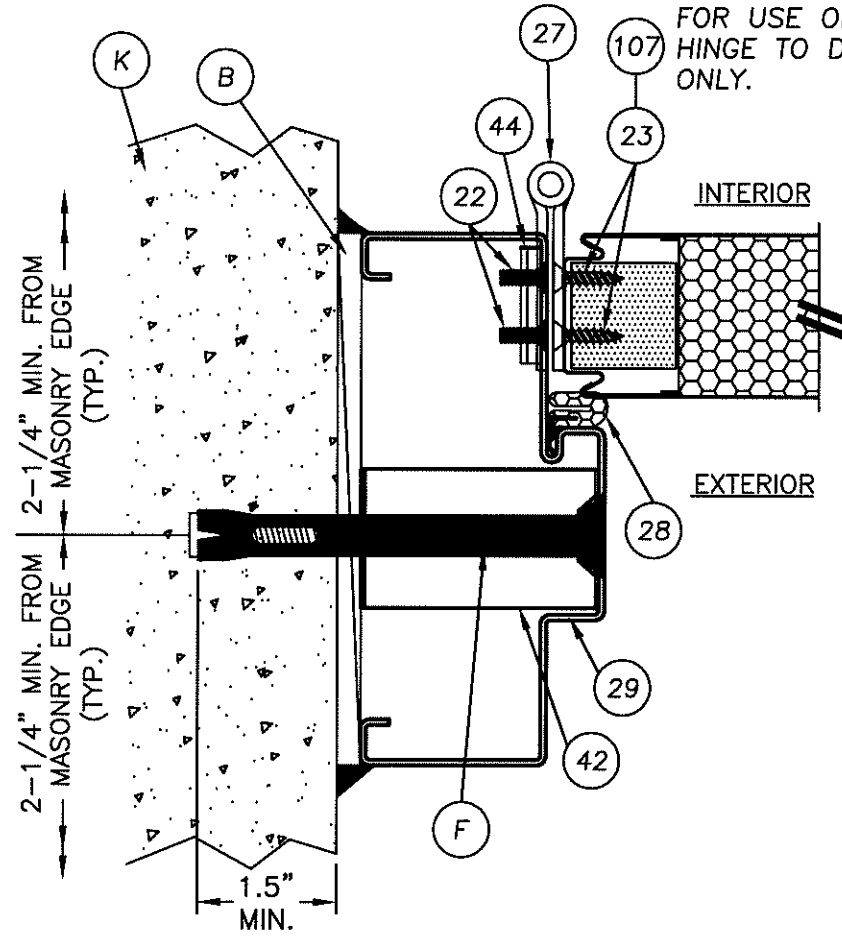
Documents Prepared By:		BUILDING CONSULTANTS, INC. P.O. Box 230 Valrico FL 33595 Phone No.: 813.659.9197 Florida Board of Professional Engineers Certificate Of Authorization No. 9813 <i>LFS</i> 10.30.12 Lyndon F. Schmidt, P.E. No. 43409	
PRODUCT:	DUNBARTON STEEL DOORS IN A HOLLOW METAL FRAME	NO.	DATE
PART OR ASSEMBLY:	DOOR PANEL DETAILS (MASONITE STEEL DOOR)	JK	BY
		1	10/18/12 REVISE TO 2010 FBC
			REVISIONS
DATE: 07/26/07			
SCALE: N.T.S.			
DWG. BY: EW			
CHK. BY: LFS			
DRAWING NO.: FL-9231.2			
SHEET 4 OF 8			



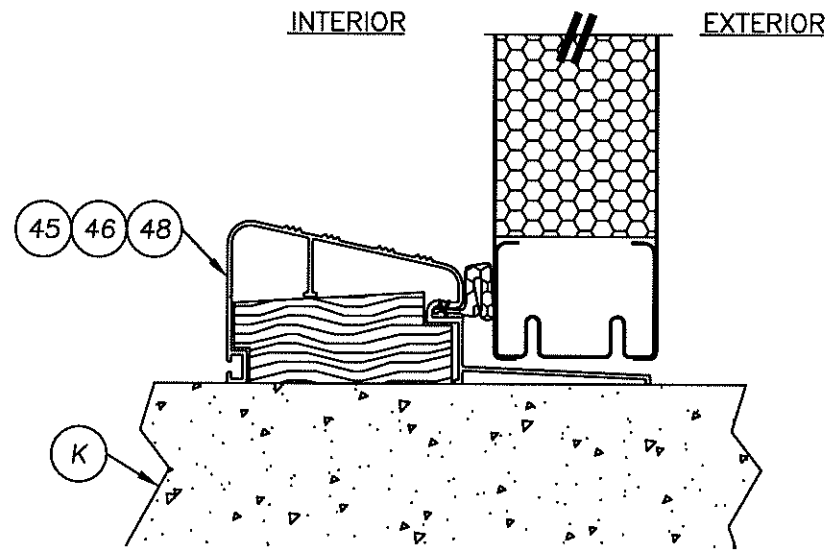
4 HORIZONTAL CROSS SECTION
5 @ LATCH JAMB
MASONRY CONSTRUCTION



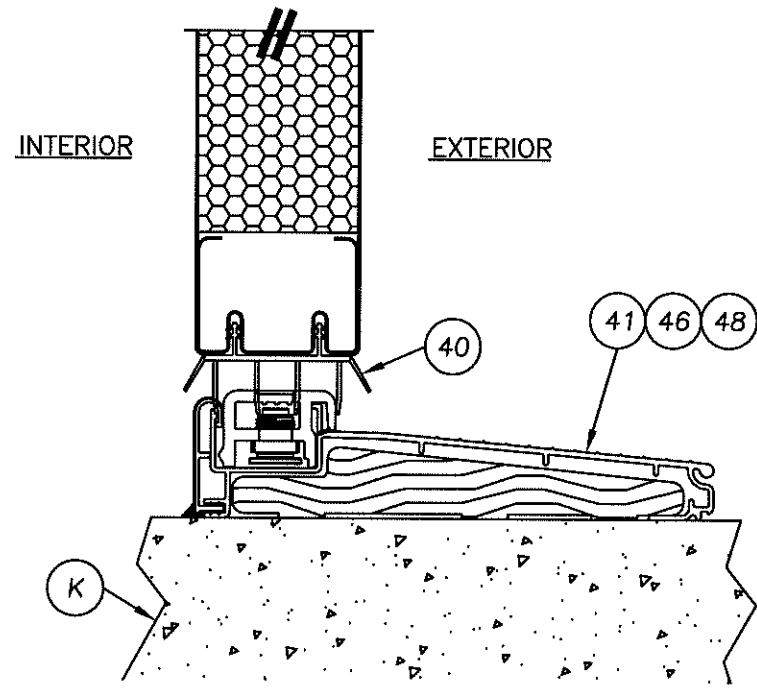
1 VERTICAL CROSS SECTION
5 @ HEAD
MASONRY CONSTRUCTION



3 HORIZONTAL CROSS SECTION
5 @ HINGE JAMB
MASONRY CONSTRUCTION

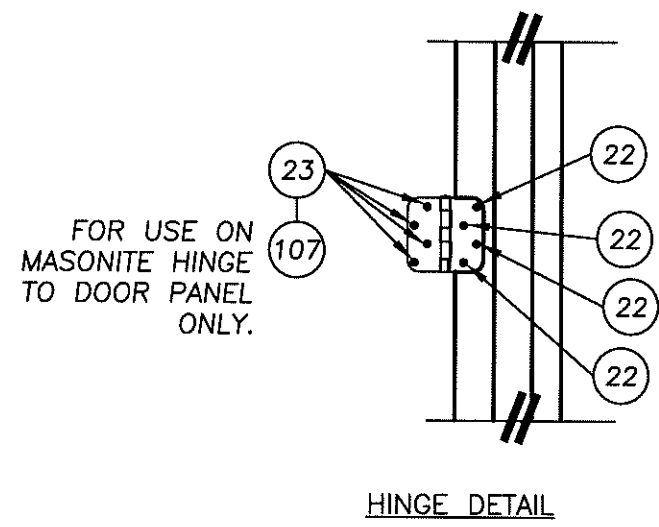
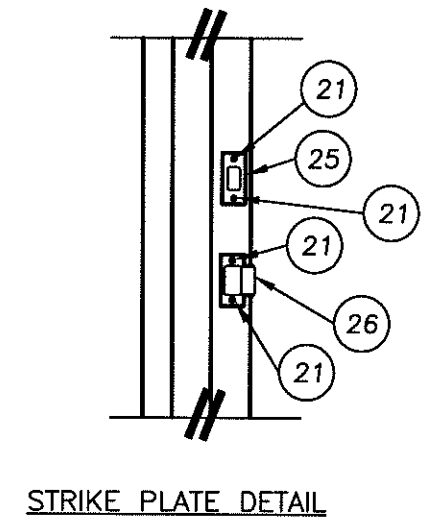
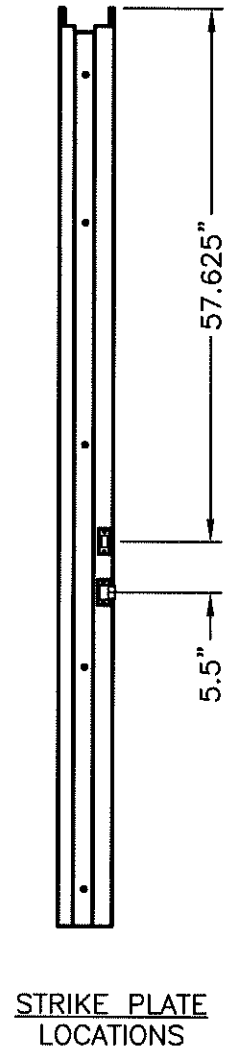
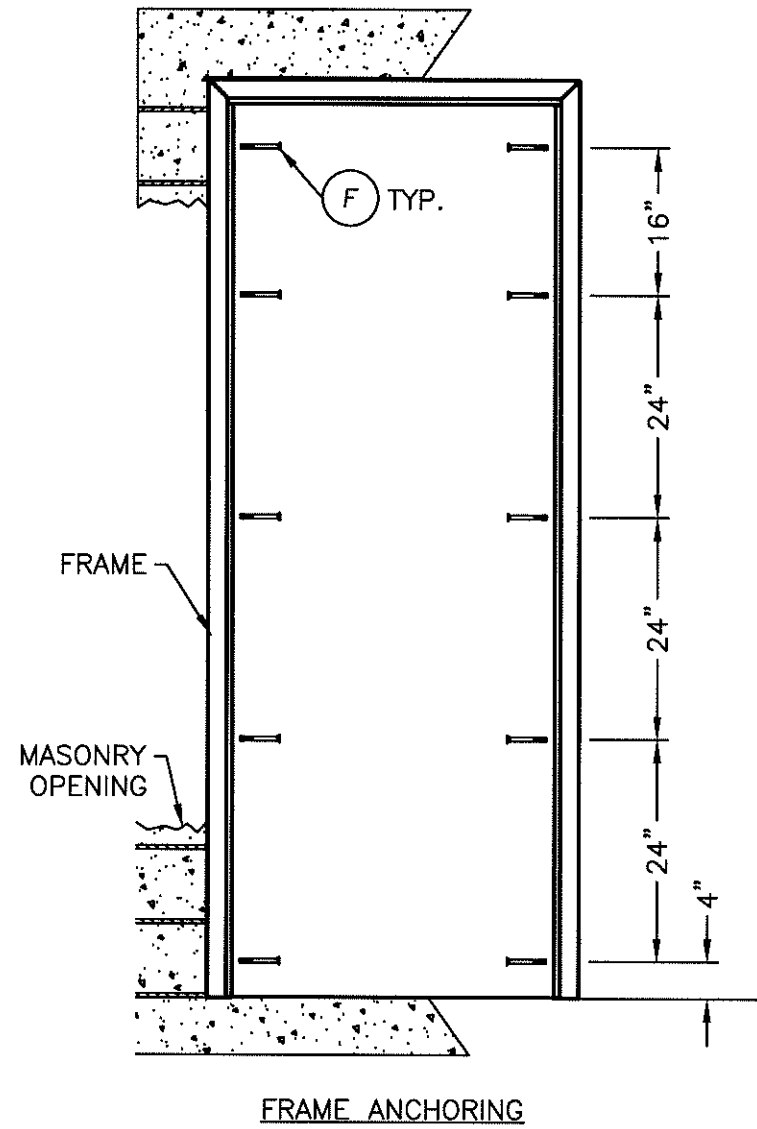
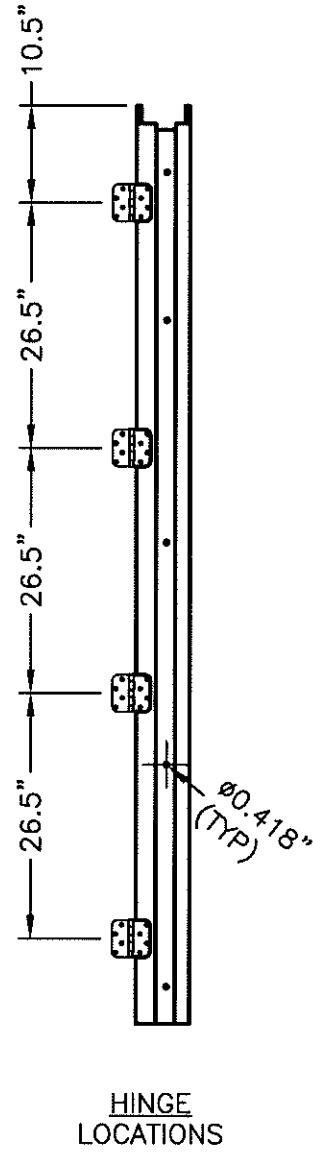


5 VERTICAL CROSS SECTION
5 @ THRESHOLD
MASONRY CONSTRUCTION



2 VERTICAL CROSS SECTION
5 @ THRESHOLD
MASONRY CONSTRUCTION

Documents Prepared By:		RW BUILDING CONSULTANTS, INC. P.O. Box 230 Valrico FL 33595 Phone No.: 813.659.9197 Florida Board of Professional Engineers Certificate Of Authorization No. 9813 <i>LFS</i> 10.26.12 Lyndon F. Schmidt, P.E. No. 43409	
PRODUCT:		DUNBARTON STEEL DOORS IN A HOLLOW METAL FRAME	
PART OR ASSEMBLY:		HORIZONTAL & VERTICAL CROSS SECTIONS	
NO.		DATE	
1		10/18/12 REVISE TO 2010 FBC	
NO.		DATE	
JK		BY	
DATE		REVISIONS	
DATE:		07/26/07	
SCALE:		N.T.S.	
DWG. BY:		EW	
CHK. BY:		LFS	
DRAWING NO.:		FL-9231.2	
SHEET		5 OF 8	



CONCRETE ANCHOR NOTES:

1. Substitution of equal concrete anchors from a different supplier may have different edge distance and center distance requirements.
2. Concrete anchor locations at the corners may be adjusted to maintain the min. edge distance to mortar joints. If concrete anchor locations noted as "MAX. ON CENTER" must be adjusted to maintain the min. edge distance to mortar joints, additional concrete anchors may be required to ensure the "MAX. ON CENTER" dimensions are not exceeded.
3. Concrete anchor table:

ANCHOR TYPE	ANCHOR SIZE	MIN. EMBEDMENT	MIN. CLEARANCE TO MASONRY EDGE	MIN. CLEARANCE TO ADJACENT ANCHOR
DYNABOLT SLEEVE ANCHOR	3/8"	1-1/2"	2-1/4"	4-1/2"

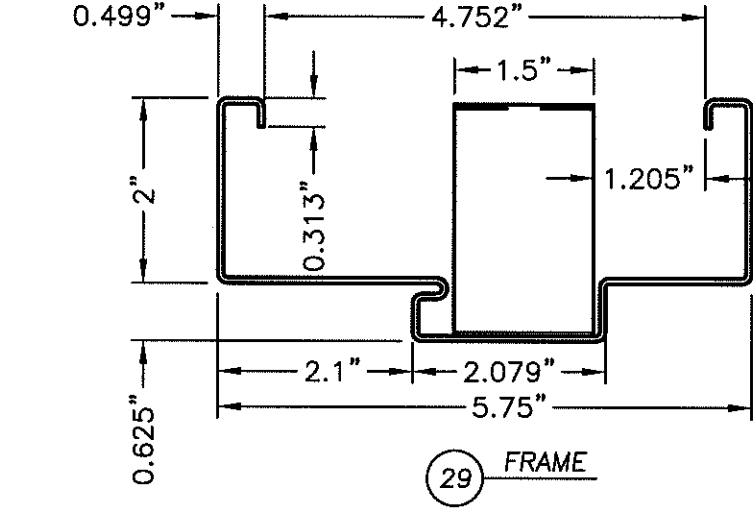
Documents Prepared By: **RW BUILDING CONSULTANTS, INC.**
 P.O. Box 230 Vairico FL 33595
 Phone No.: 813.659.9197
 Florida Board of Professional Engineers
 Certificate Of Authorization No. 9813
LFS 10-30-12
 Lyndon F. Schmidt, P.E. No. 43409

PRODUCT: **DUNBARTON STEEL DOORS IN A HOLLOW METAL FRAME**
 PART OR ASSEMBLY: **FRAME ANCHORING**

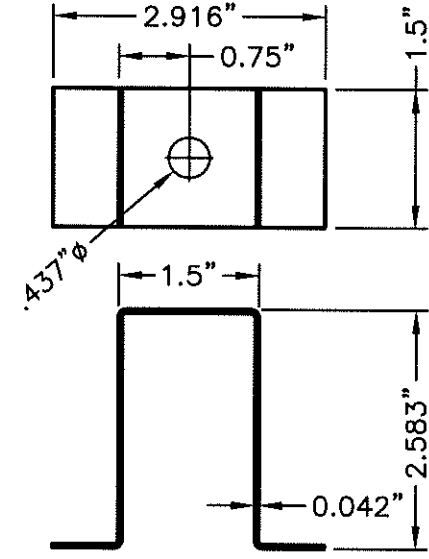
NO.	DATE	REVISIONS
1	10/18/12	REVISE TO 2010 FBC
		JK BY

DATE: 07/26/07
 SCALE: N.T.S.
 DWG. BY: EW
 CHK. BY: LFS
 DRAWING NO.: FL-9231.2
 SHEET 6 OF 8

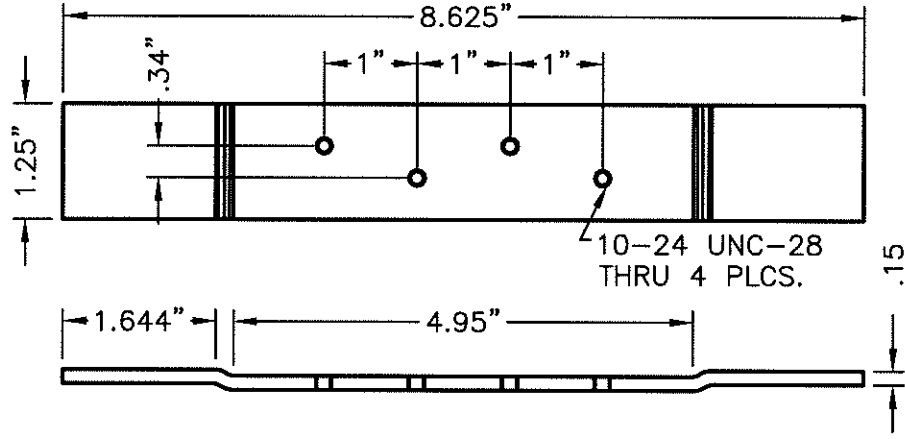
© 2007 R.W. BUILDING CONSULTANTS INC.



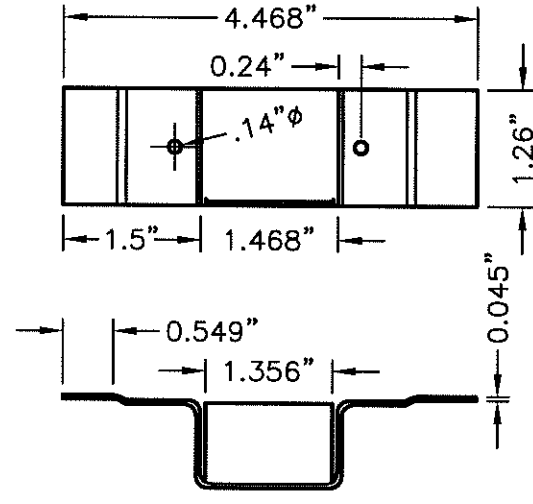
29 FRAME



42 EXPANSION ANCHOR BRACKET



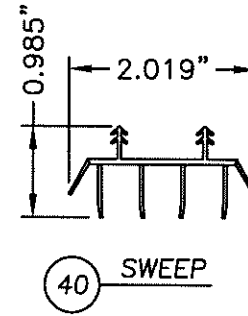
44 HINGE REINFORCEMENT



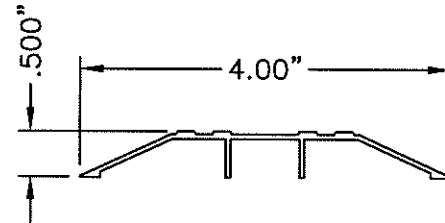
43 STRIKE BOX

Documents Prepared By: RW BUILDING CONSULTANTS, INC. P.O. Box 230 Volrico FL 33595 Phone No.: 813.659.9197 Florida Board of Professional Engineers Certificate Of Authorization No. 9813 Lyndon F. Schmidt, P.E. No. 43409	
PRODUCT: DUNBARTON STEEL DOORS IN A HOLLOW METAL FRAME	PART OR ASSEMBLY: COMPONENTS
NO. DATE 1 10/18/12 REVISE TO 2010 FBC	JK BY
REVISIONS	
DATE: 07/26/07	
SCALE: N.T.S.	
DWG. BY: EW	
CHK. BY: LFS	
DRAWING NO.: FL-9231.2	
SHEET 7 OF 8	

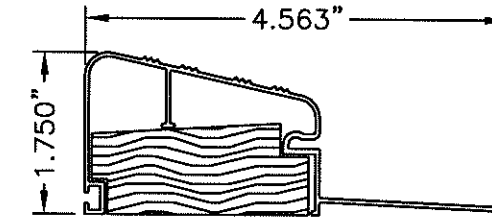
BILL OF MATERIALS		
ITEM	DESCRIPTION	MATERIAL
B	1/4" MAX. SHIM SPACE	WOOD
D	PASSAGE LOCK WES LOCK (600 SERIES)	STEEL
E	DEADBOLT WES LOCK (MODEL 371)	STEEL
D	PASSAGE LOCK YALE (YH COLLECTION SERIES)	STEEL
E	DEADBOLT YALE (YH COLLECTION SERIES)	STEEL
D	KWIKSET SERIES (200) PASSAGE LOCK	STEEL
E	KWIKSET SERIES (600) DEADBOLT	STEEL
F	3/8" ITW DYNABOLT SLEEVE ANCHOR	STEEL
K	MASONRY - 3,192 PSI MIN. CONCRETE CONFORMING TO ACI 301 OR HOLLOW BLOCK CONFORMING TO ASTM C90	CONCRETE
20	SEALANT	SILICONE
21	#6 X 1-1/2" PFH SMS	STEEL
22	#7 X 3/4" PFH SCREW	STEEL
23	#9 X 3/4" PFH SCREW	STEEL
25	DEADBOLT STRIKE PLATE	STEEL
26	LATCH STRIKE PLATE	STEEL
27	HINGE	STEEL
28	WEATHERSTRIP	FOAM
29	HOLLOW METAL FRAME SYSTEM	STEEL
40	DOOR BOTTOM SWEEP	VINYL
41	ENDURA ADJUSTABLE INSWING THRESHOLD	ALUM./WOOD
42	EXPANSION ANCHOR BRACKET ASTM A653 GR. 33	STEEL
43	STRIKE BOX	STEEL
44	HINGE REINFORCEMENT	STEEL
45	QOSR OUTSWING THRESHOLD	ALUM./COMP.
46	ADA THRESHOLD	ALUMINUM
85	STEEL DOOR SKIN - 0.022" THK. (TAYLOR STEEL DOOR)	STEEL
86	FOAM CORE: 2.0 lbs/FT ³ DENSITY, Baytherm 863 (TAYLOR STL. DOOR)	POLYURETHANE
87	HINGE REINFORCEMENT (TAYLOR STEEL DOOR)	STEEL
88	LOCK BLOCK SPRUCE-PINE-FIR SG=.42 OR BETTER (TAYLOR STL. DOOR)	WOOD
90	LATCH STILE REINFORCEMENT (JELD-WEN STEEL DOOR)	WOOD
91	HINGE STILE REINFORCEMENT (JELD-WEN STEEL DOOR)	WOOD/COMP.
92	BOTTOM RAIL (JELD-WEN STEEL DOOR)	STEEL
93	HINGE / LATCH STILE & TOP RAIL (JELD-WEN STEEL DOOR)	STEEL
94	STEEL DOOR SKIN - 0.020" THK. (JELD-WEN STEEL DOOR)	STEEL
95	FOAM CORE -EPS 1.0 LBS. lbs/FT DENSITY (JELD-WEN STEEL DOOR)	POLYSTYRENE
96	LOCK BLOCK (JELD-WEN STEEL DOOR)	WOOD
100	STEEL DOOR SKIN - 0.020" THK. (MASONITE STEEL DOOR)	STEEL
101	FOAM CORE (BASF 2.0 to 2.5lbs./FT (MASONITE STL DOOR)	POLYURETHANE
102	DOOR TOP RAIL (MASONITE STEEL DOOR)	WOOD
103	DOOR BOTTOM RAIL (MASONITE STEEL DOOR)	COMPOSITE
104	PLASTIC LOCK RING (MASONITE STEEL DOOR)	PLASTIC
105	LOCK RING STYLE (MASONITE STEEL DOOR)	WOOD
106	HINGE REINFORCEMENT 14 GA. (MASONITE STEEL DOOR)	STEEL
107	HINGE TO DOOR SCREW #10-24x1/2" PFH M.S.(MASONITE STEEL DOOR)	STEEL
108	DOOR STYLE CLOSURE DETAIL (MASONITE STEEL DOOR)	STEEL



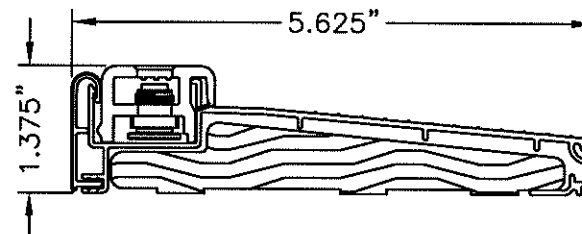
40 SWEEP



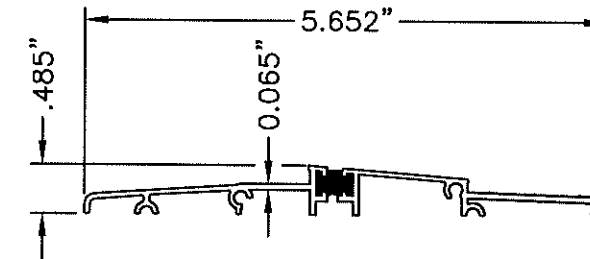
46 ADA THRESHOLD



45 OUTSWING THRESHOLD



41 INSWING THRESHOLD



48 ADA LOW PROFILE THRESHOLD

Documents Prepared By:

RW BUILDING CONSULTANTS, INC.
P.O. Box 230 Vairico FL 33595
Phone No.: 813.659.9197
Florida Board of Professional Engineers
Certificate Of Authorization No. 9813
10-30-12
Lyndon F. Schmidt, P.E. No. 43409

PRODUCT: DUNBARTON
STEEL DOORS
IN A HOLLOW METAL FRAME
PART OR ASSEMBLY:
BILL OF MATERIALS
& COMPONENTS

NO.	DATE	REVISIONS	JK	BY
1	10/18/12	REVISE TO 2010 FBC		

DATE: 07/26/07
SCALE: N.T.S.
DWG. BY: EW
CHK. BY: LFS
DRAWING NO.: FL-9231.2
SHEET 8 OF 8