

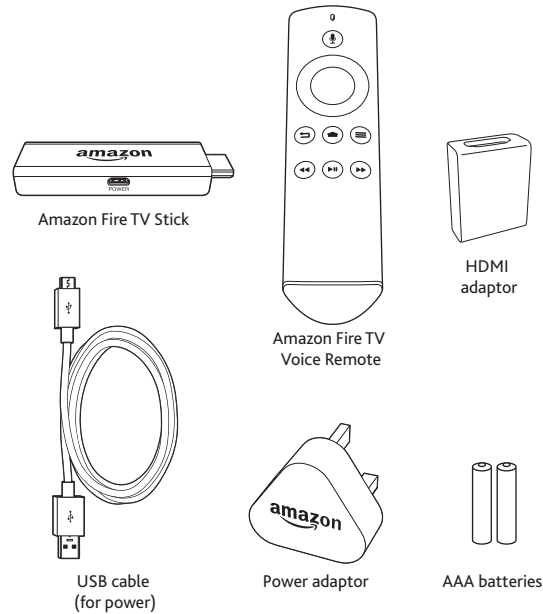
WELCOME TO AMAZON FIRE TV STICK WITH VOICE REMOTE

Amazon Fire TV Stick lets you discover and enjoy online digital entertainment in your home.

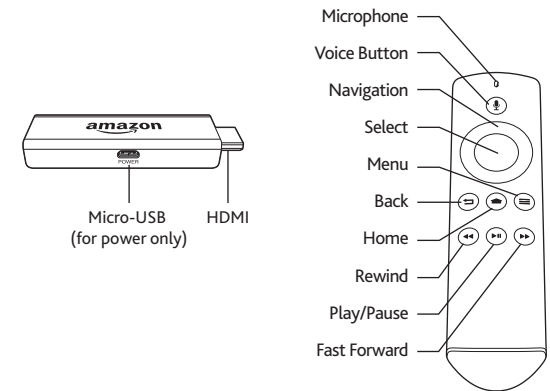
Get started with these three steps:

- Connect Amazon Fire TV Stick
- Connect to your home network
- Register your Amazon Fire TV Stick

WHAT'S IN THE BOX



GETTING TO KNOW AMAZON FIRE TV STICK



CONNECTING AMAZON FIRE TV STICK

1. Connect one end of the USB cable to your Amazon Fire TV Stick and the other end to the included power adaptor.
2. Plug the power adaptor into a nearby electrical socket. We recommend that you use the included USB cable and power adaptor for the best experience.
3. Connect Amazon Fire TV Stick to the HDMI port on your TV. If you are having trouble connecting to the HDMI port on your TV, you can use the included HDMI adaptor to increase accessibility. (HDMI cable sold separately)
4. Turn on your TV and select the appropriate HDMI input.
5. Insert the included batteries into the remote. Pair the remote by holding down the HOME button for 10 seconds. If the remote does not connect automatically, make sure that the batteries are installed properly.

Amazon Fire TV Stick is now connected to your TV.

Simply follow the on-screen instructions to complete your set-up.

TIP

- Always replace dead batteries with new 1.5V alkaline or 1.2V NiMH rechargeable batteries.

CONNECTING AMAZON FIRE TV STICK TO YOUR HOME NETWORK

1. Using the remote control, select your network from the list displayed on the screen. If your network is hidden, select "Join Other Network" from the list.
2. If required, enter your network password using the on-screen keyboard.

REGISTERING YOUR AMAZON FIRE TV STICK

If you purchased your Amazon Fire TV Stick from Amazon.co.uk using your Amazon account, it is already registered to you.

If you received your Amazon Fire TV Stick as a gift or it is not yet registered, please follow the on-screen instructions to register your device.

FOR MORE HELP

For troubleshooting tips, visit www.amazon.com/devicesupport.