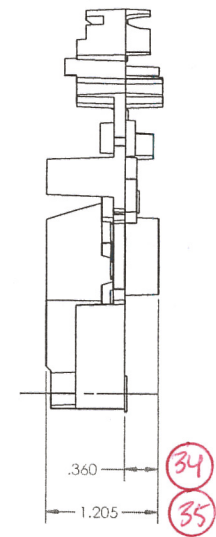
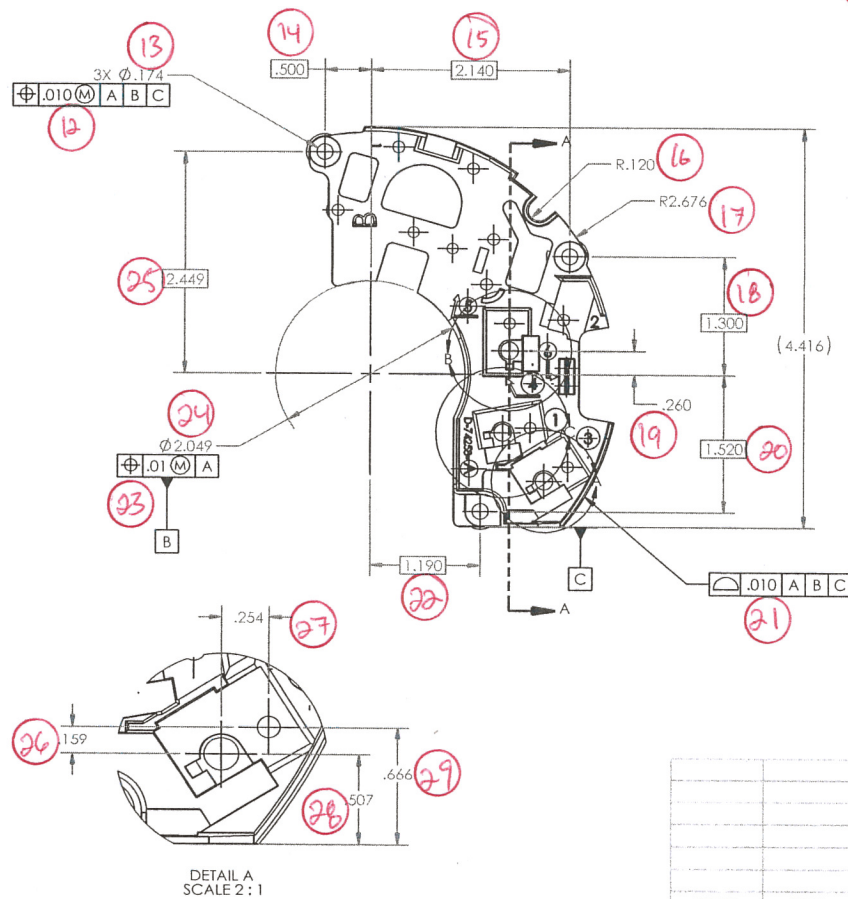
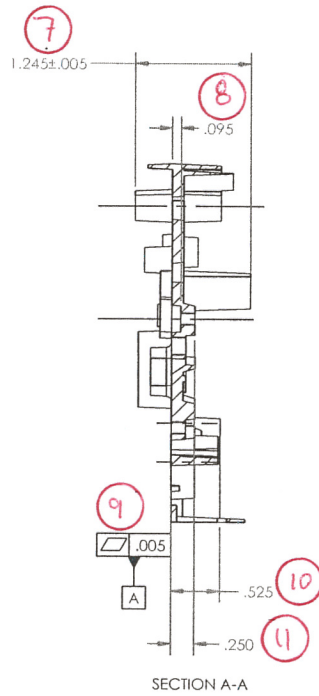
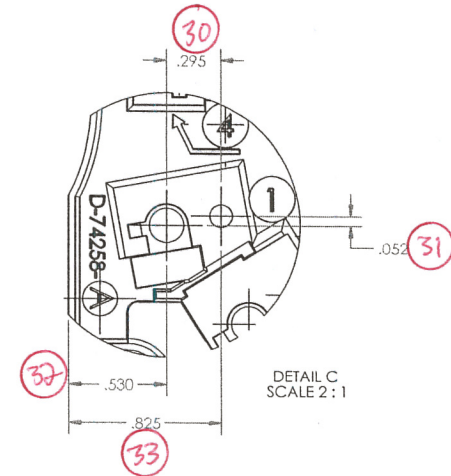
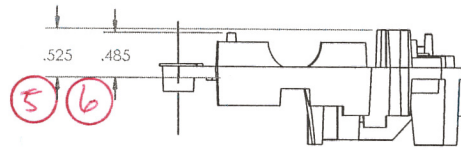
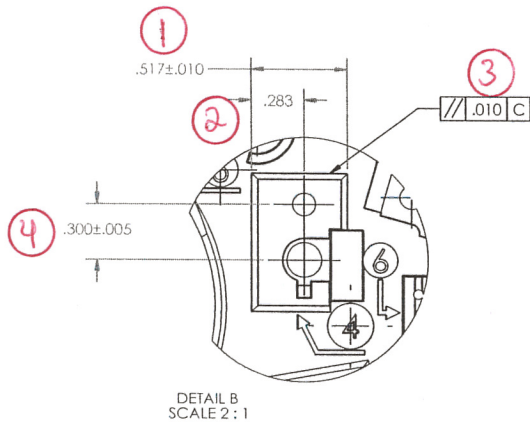


REVISIONS				
ZONE	REV.	DESCRIPTION	DATE	APPROVED



UNLESS OTHERWISE SPECIFIED:		NAME	DATE	The QC Group	
DIMENSIONS ARE IN INCHES		DRAWN	SH	6/4/2013	TITLE:
TOLERANCES:		CHECKED	ST	6/10/2013	Terminal Board
FRACTIONAL ± 1/64		ENG APPR.			
ANGULAR ± 1°		MFG APPR.			
TWO PLACE DECIMAL ± .01					
THREE PLACE DECIMAL ± .005					
REFER TO GEOMETRIC TOLERANCING PER ASME Y 14.5M-1994					
MATERIAL		COMMENTS:			
Polypropylene					
FINISH					
PM-F2					
NEXT ASSY	USED ON	SCALE: 1:1 WEIGHT: SHEET 1 OF 1			
APPLICATION		DO NOT SCALE DRAWING			