 Secure all parts with PVC cement, unless otherwise noted.

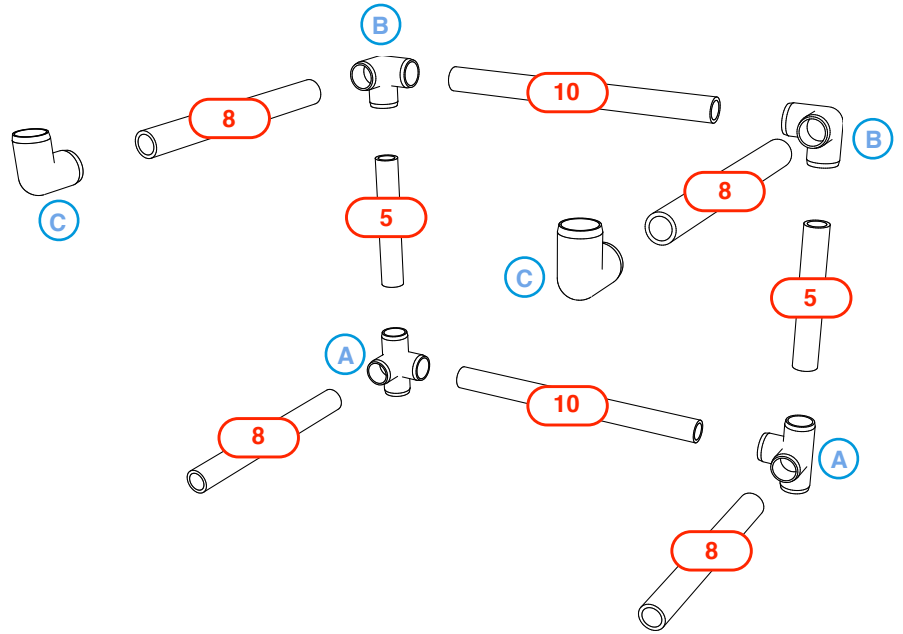
## Fittings Needed

Fitting	Qty	ID
1/2" 4-Way	2	<b>A</b>
1/2" 3-Way	2	<b>B</b>
1/2" 90 Elbow	4	<b>C</b>
1/2" Dome Cap	2	<b>D</b>

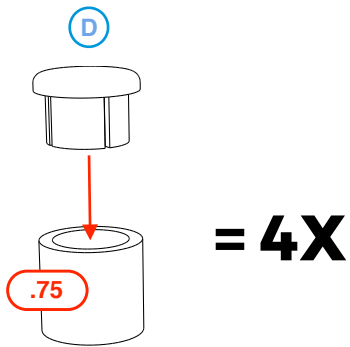
## Pipe Needed

Pipe Length	Qty	
1/2" Pipe - 3/4"	4	<b>.75</b>
1/2" Pipe - 5"	2	<b>5</b>
1/2" Pipe - 8"	4	<b>8</b>
1/2" Pipe - 10"	2	<b>10</b>

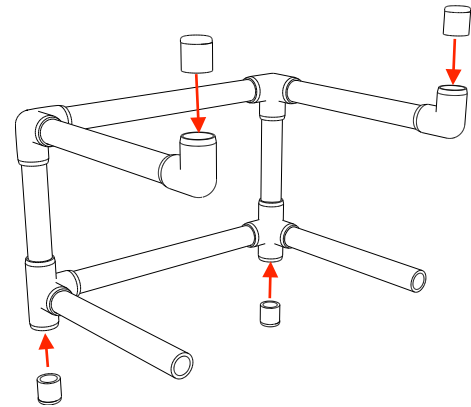
1



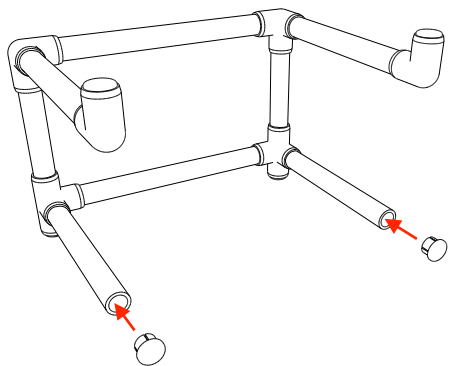
2



3



4



5

