



Submersible Turbine Repair Parts

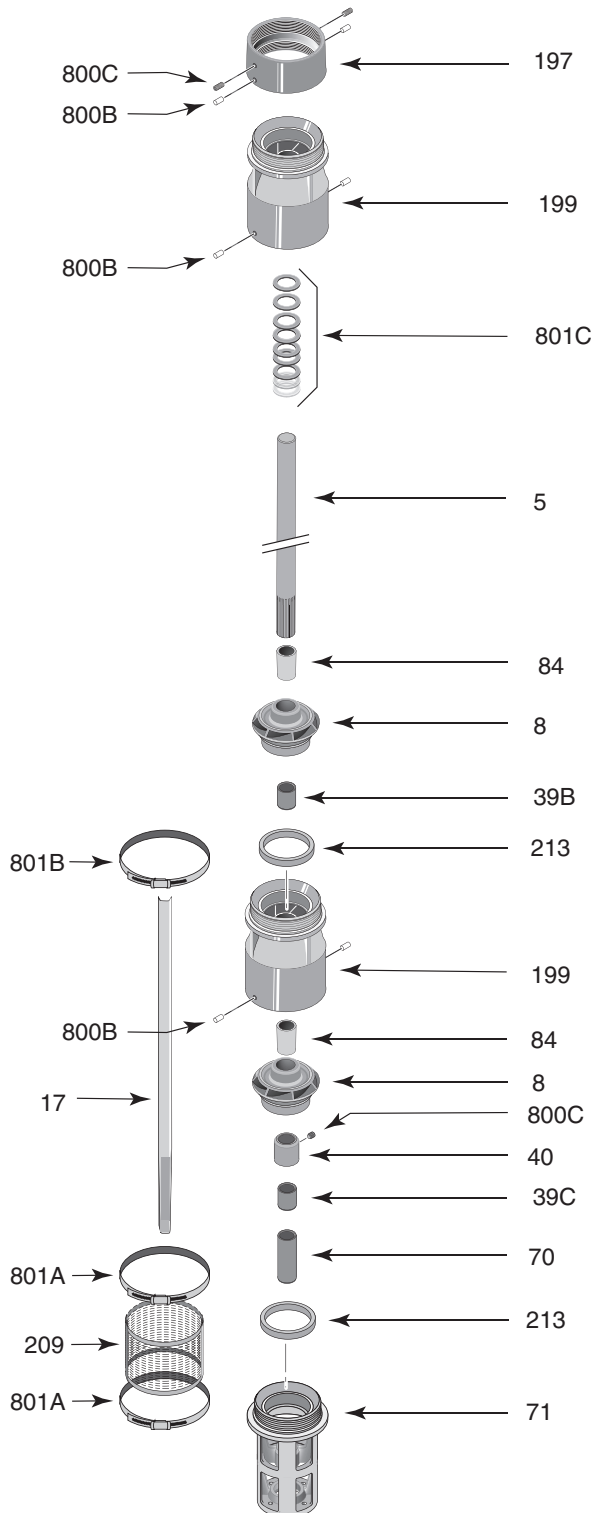
Section	ST
Page	260.1
Date	June 13, 2007
Supersedes 11/1/05	

Threaded Bowls

10T-750

8" Motors

10T-750 Common Parts Groups Repair Parts List



Item No.	Part Description	Part Number
39B	Bearing, 10T (2 Stages and up)	M14167
39C	Bracket, Bearing	M08375
40	Sand Collar, 1-1/2" Bronze	S34223
70	Shaft Coupling 1-1/2" ID 416SS	L06905
71	Bracket	M14090
84	Collet, 10T	M14168
197	Discharge Adapter 8" FNPT	M14092
199	Bowl, 10T	M14163
209	Suction Screen	M06684
213	Wear Ring, 10T (1 per Bracket and Bowl)	M14164
800B	Dowel Pin, 1/8 x 3/8" 303S (2 Req. per Stage)	S29766
800C	Set Screw, Hex Socket 3/8-16 x 1/2" (2 Req.)	S24289
801A	Screen Clamp (2 Req.)	S14661
801B	Cable Guard Clamp (2 Req.)	M10193
801C	Thrust Washer* (12 Req.)	M14791
	• Spring Lock Washer, 5/8" (4 Req.)	S23093
	• Upthrust Adjustment Tag	M09970
	• Pop Rivet, 0.093" x 0.22" lg. (2 Req.)	M10199
	• Nameplate	M12165
	• Owner's Manual	BE215

• Not illustrated.

* Consult Owner's Manual for upthrust setting.

Additional Staging

(Quantity: 1 each per stage except Dowel Pins)

Item Number	Part Number	Part Description
39B	M14167	Bearing, 10T
84	M14168	Collet, 10T
199	M14163	Bowl, 10T
213	M14164	Wear Ring, 10T
800B	S29766	Dowel Pin, 1/8 x 3/8 303 SS (2 Req.)

Cable Guard Length*

(See Key #17)

Stages	Length (In.)
1	26.18
2	33.62
3	41.06
4	48.50
5	55.94
6	63.38

* Sold in 12' lengths only, Part Number M10252.

Consult owner's manual for correct assembly and adjustment procedures.



Submersible Turbine Repair Parts

Section	ST
Page	260.2
Date	April 28, 2009
Supersedes 11/9/07	

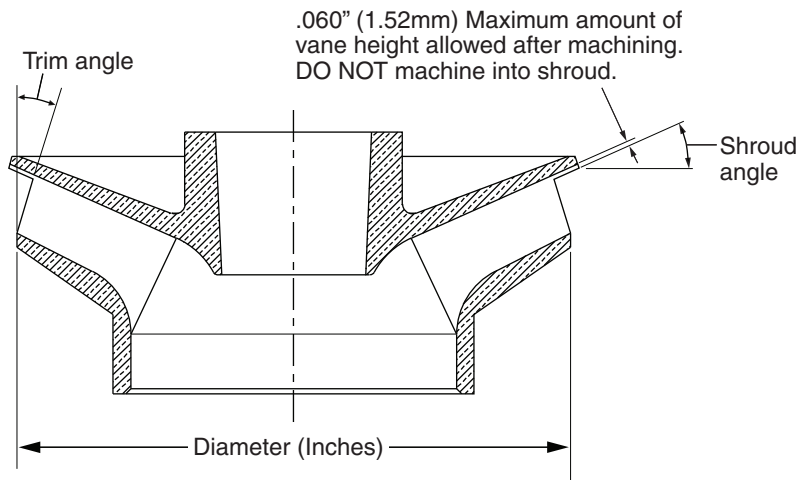
Threaded Bowls

10T-750

6" and 8" Motors

Available Impellers*

Description	Part Number	Size (In.)	Trim Angle	Shroud Angle
"A" Full Trim	M14159	7.62	21.5°	—
"B" 5% Trim	M14137	7.25	21.5°	26.5°
"C" 10% Trim	M14138	6.75	21.5°	26.5°



Note: DO NOT trim back shroud.

10T-750 Impeller Specifications

Catalog Number	Horsepower	416 SS Shaft§	Primary Trims	Part Number†	Trim (In.)	Secondary Trim	Part Number†	Trim (In.)
B82893	40	M14120	1	M14159	7.62			
B85325	40	M14669	1	M14159	7.62			
B82894	50	M14121	2	M14138	6.75			
B85326	50	M14670	2	M14138	6.75			
B82895	60	M14121	1	M14159	7.62	1	M14138	6.75
B85327	60	M14670	1	M14159	7.62	1	M14138	6.75
B82896	75	M14122	1	M14137	7.25	2	M14138	6.75
B82897	100	M14122	3	M14159	7.62			
B82898	125	M14123	3	M14159	7.62	1	M14138	6.75
B82899	150	M14124	3	M14159	7.62	2	M14138	6.75
B85313	175	M14124	5	M14159	7.62			
B82900	200	M14125	6	M14159	7.62			

† Key #8 – Impeller.

§ Key #5 – Pump Shaft.