

Take Control.
ion
Controllers



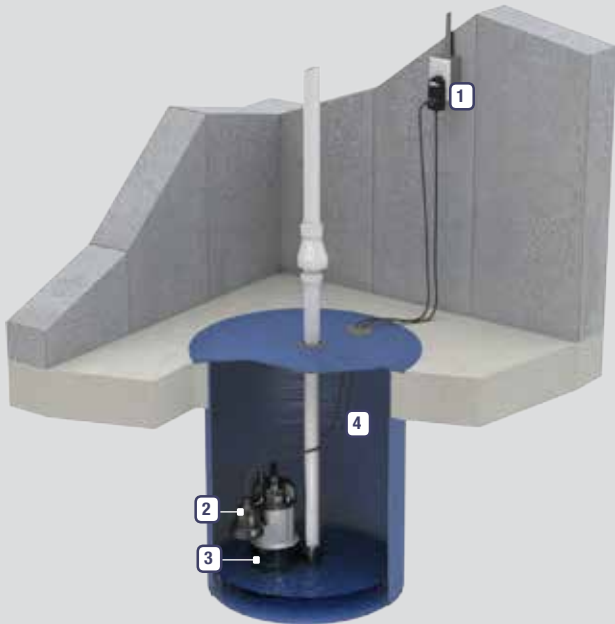
Ion+[®]

Digital Level Control with High Water Alarm

- World's first digital piggyback style sump & sewage pump level control sensor with integrated alarms
- Provides alarm notification via an audible buzzer, LED indicators, and dry alarm contact
- Device can be connected to external alarm notification systems such as our Ion Gateway[®] or MetroMail[™] systems, for real-time notification capability
- Ion[®] digital level control technology provides superior performance and reliability when compared to industry standard mechanical pump switches

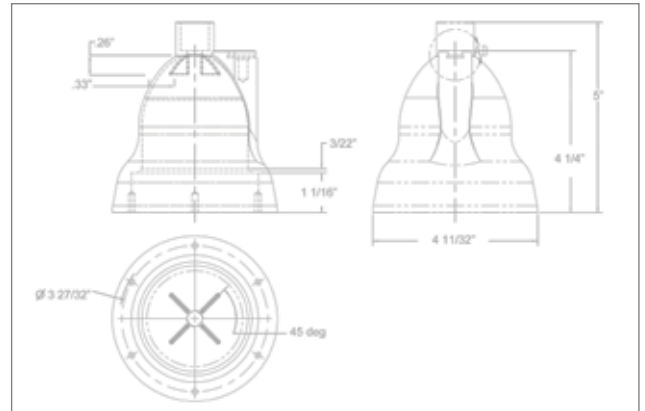


Typical Installation

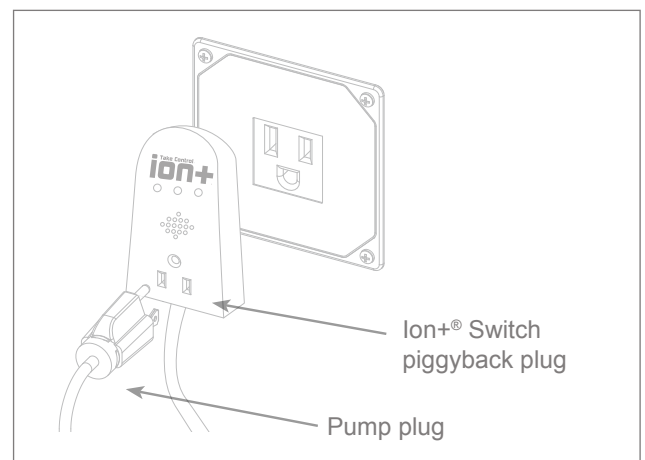


1. Ion+® piggyback plug with audible alarm and visual status LEDs
2. Ion+® digital level control sensor
3. Standard Ion® StormPro® pump (not included)
4. Basin (not included)

Switch Dimensions



Piggyback Plug Illustration



System Specifications

- Built in alarm and monitoring system
- Power, system and high water LEDs indicate system status
- Audible alarm buzzer
- Dry contact
- Remote alarm port - type RJ11
- First of a kind solid-state sensing technology with no moving parts
- Starts and stops pump via the piggyback pump power receptacle
- Multipoint sealing mechanism that supersedes single surface seals
- Inverter rated for use with most battery backup systems
- No contact points
- 3 year warranty