

MYERS® PQP Series Centrifugal Pumps

Quick priming PQP Series Pumps feature lightweight construction in a self-priming design. These models offer a stronger pump body with reinforcement ribs and also a new 2" suction that is designed for the professional pump contractor.

APPLICATIONS

- Turf sprinkling and water transfer... for residential and light commercial

SPECIFICATIONS

Pump Body – Fiberglass-reinforced engineered composite

Base – High-impact composite

Seal Plate – Fiberglass-reinforced engineered composite

Impeller – Polycarbonate

Diffuser – Polycarbonate

Shaft – Stainless steel

Clamp – Stainless steel



FEATURES

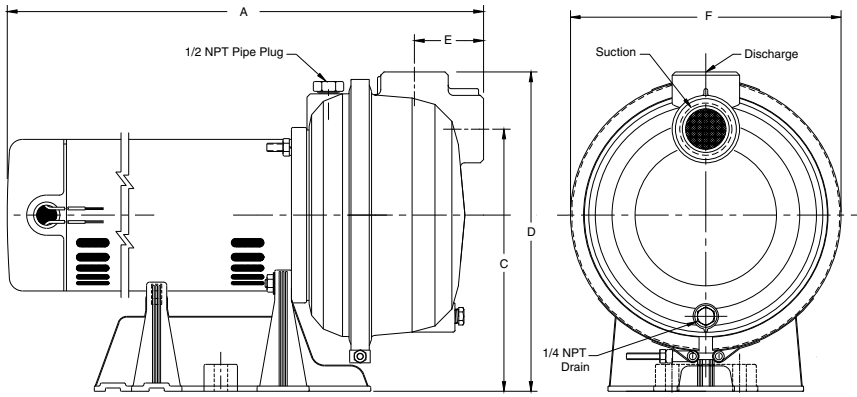
- 1, 1-1/2, 2 and 2-1/2 HP
- Single Phase – 115/230V dual voltage, 60 Hz; ODP
- Fiberglass-reinforced Polypropylene Pump Body and Seal Plate – Lightweight, corrosion-resistant and exceptionally strong
- Drain Port – Provided for easy winterization
- Corrosion-resistant Composite Pump Base
- Easy Serviceable Back Pullout Design
- 2-Compartment, Square Flange Motor, Thermal Overload Protected
- Rapid Priming – Once pump body is filled with water

ORDERING INFORMATION

Catalog Number	HP	Pipe Tapping Sizes		Motor Voltage	Approx. Wt. Lbs.
		Suction	Discharge		
PQP10	1	1-1/2"	1-1/2"	115/230	38
PQP15	1-1/2	1-1/2"	1-1/2"	115/230	41
PQP20	2	2"	2"	230	52
PQP25	2-1/2	2"	2"	230	54

MYERS® PQP Series Centrifugal Pumps

OUTLINE DIMENSIONS



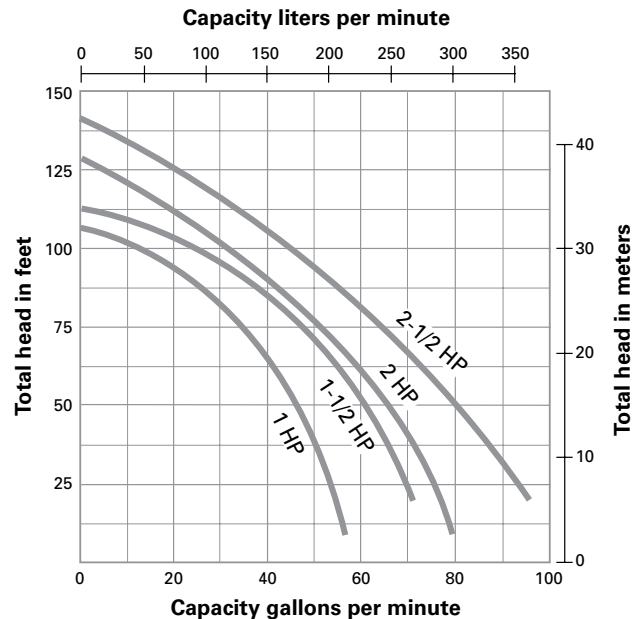
Cat. No.	A	C	D	E	F
PQP10	17.58	9.71	11.82	2.52	10.18
PQP15	18.46	9.71	11.82	2.52	10.18
PQP20	20.0	8.88	12.38	3.81	11.18
PQP25	20.5	8.88	12.38	3.81	11.18

Dimensions (in inches) are for estimating purposes only.

PUMP PERFORMANCE – CAPACITY IN GALLONS PER MINUTE

Disch. Press. PSI	PQP10					PQP15					PQP20					PQP25				
	Distance Above Water																			
	5'	10'	15'	20'	25'	5'	10'	15'	20'	25'	5'	10'	15'	20'	25'	5'	10'	15'	20'	25'
10	53	52	50	48	46	67	66	64	61	59	70	69	67	64	62	90	88	86	82	80
20	45	42	39	37	35	59	56	54	50	47	61	59	56	53	50	79	76	72	70	65
30	35	31	27	24	18	48	44	40	37	32	50	48	44	41	37	66	62	57	55	50
40	17	10				31	26	20	10		36	33	25	23	19	50	45	42	37	32
50											16	9				30	23	20		

PUMP PERFORMANCE



USA 293 WRIGHT STREET, DELAVAN, WI 53115 WWW.FEMYERS.COM PH: 888-987-8677 ORDERS FAX: 800-426-9446
 CANADA 490 PINEBUSH ROAD, UNIT 4, CAMBRIDGE, ONTARIO, N1T 0A5 PH: 800-363-7867 ORDERS FAX: 888-606-5484
 Because we are continuously improving our products and services, Pentair reserves the right to change specifications without prior notice.