



INSTALLATION AND OPERATION MANUAL  
**MPB Series 60 Cycle 1/2 – 2 HP**  
**High Pressure Booster Pump**

---

**MYERS®**

## Single Phase Installations

### Owner's Record

Pump Model: \_\_\_\_\_

Pump Serial No.: \_\_\_\_\_

Pump Date Code: \_\_\_\_\_

Motor H.P. \_\_\_\_\_ Voltage \_\_\_\_\_ Phase \_\_\_\_\_

Date of Installation: \_\_\_\_\_

Owner: \_\_\_\_\_

Installer: \_\_\_\_\_

Installer Phone Number: \_\_\_\_\_



**⚠ DANGER**

**⚠ WARNING**

**⚠ CAUTION**

## ELECTRICAL SAFETY

**⚠ WARNING**



**Hazardous voltage. Can shock, burn, or cause death.**

Ground pump before connecting to power supply.

**⚠ Some models of pump are supplied with 3-conductor grounding type cord. Connect only to properly grounded, GFCI protected outlet. Do not lift pump by electrical cord.**

**⚠ Pump is non-submersible. Keep motor dry at all times. Do not wash motor. Do not immerse. Protect motor from wet weather.**

**⚠ If using extension cord, use only UL approved indoor/outdoor, 3-wire, grounding type cord. Do not allow any part of cord to sit in water or damp locations.**

**⚠ Unplug pump before servicing.**

**⚠ CAUTION Burn Hazard. Do not touch an operating motor.** Modern motors can operate at high temperatures. To avoid burns when servicing pump, allow it to cool for 20 minutes after shut-down before handling.

Follow local and/or national plumbing and electrical codes when installing.

**⚠ WARNING Hazardous Pressure. DO NOT** run the pump with discharge shutoff, as hose may burst or pump may be damaged due to high temperatures.

### California Proposition 65 Warning

**⚠ WARNING** This product and related accessories contain chemicals known to the State of California to cause cancer, birth defects or other reproductive harm.

## READ AND FOLLOW SAFETY INSTRUCTIONS!

**This is the safety alert symbol.** When you see this symbol on your pump or in this manual, look for one of the following signal words and be alert to the potential for personal injury:

**⚠ DANGER** warns about hazards that **will** cause serious personal injury, death or major property damage if ignored.

**⚠ WARNING** warns about hazards that **can** cause serious personal injury, death or major property damage if ignored.

**⚠ CAUTION** warns about hazards that **will** or **can** cause minor personal injury or property damage if ignored.

The word **NOTICE** indicates special instructions which are important but not related to hazards.

## GENERAL SAFETY

To avoid risk of serious bodily injury and property damage, read safety instructions carefully before installing pump.

Do not allow pump or any system component to freeze. To do so may damage system and will void warranty.

**⚠ WARNING Risk of electric shock.** To avoid fatal shocks, proceed as follows if pump needs servicing.

- Disconnect power to pump outlet box before pulling pump cord plug.** After plug is pulled, let pump cool for 20 minutes before attempting to work on it.
- Take extreme care when changing fuses.** To reduce chance of fatal electrical shocks, **DO NOT** stand in water or put your finger in the fuse socket.
- Ground** electrical outlet box.
- Use only Ground Fault Circuit Interrupter (GFCI) protected grounded outlet** for cord plug.

**Never run pump dry.** Running pump dry can damage internal parts, overheat pump (which can cause burns to people handling or servicing pump), and will void warranty.

Do not pump chemicals or corrosive liquids with pump.

**⚠ WARNING Hazardous Pressure.**

- Use high pressure reinforced type discharge hose ONLY.** See parts list for available hose, nozzle and fittings. A high pressure relief valve is recommended.
- DO NOT use garden hose with High Pressure Booster pump.** Garden hose will not stand the discharge pressure produced and will fail.
- High pressure discharge stream is dangerous.** To avoid injury, **DO NOT aim the discharge stream at any person or animal.**
- BE SURE that the pump suction pipe pressure plus the pump discharge pressure does not exceed the pressure rating of hose and fittings.** See Table I for pump discharge pressure ratings.

## INSPECT THE SHIPMENT

The high pressure booster pump has been carefully inspected and packaged to assure safe delivery. Inspect the pump and fittings and report to the carrier any items which are damaged or missing.

**TABLE I - DISCHARGE PRESSURE**

GPM	HP	No. of Stages	Discharge Pressure PSI at Rated Flow	Discharge Pressure PSI at No Flow
7	1/2	9	90	130
7	3/4	12	123	173
7	1	16	162	229
10	1/2	6	74	113
10	3/4	8	97	147
10	1	10	134	188
10	1-1/2	14	173	206
10	2	16	197	260
20	1	7	75	110
20	1-1/2	9	97	143
20	2	11	123	175

\*For total discharge pressure, add this pressure to suction pipe pressure. For example, a 7MPB50 pump taking suction from a 100 psi water service line will produce  $130 + 100 = 230$  psi total discharge pressure at 0 GPM flow. If suction pressure drops to 50 psi, discharge pressure will drop to 180 psi.

## INSTALLATION

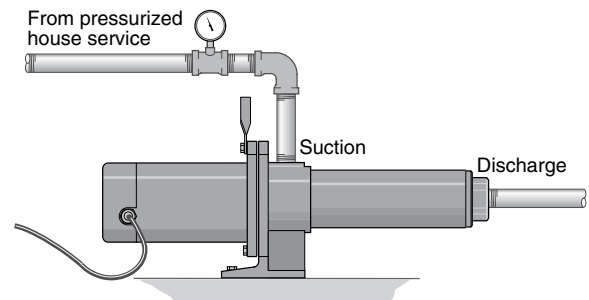
The pump is designed to boost city water pressure or water pressure from a private water system. Use this high pressure stream to wash down milk parlors, barns, garages and driveways, or for fire protection.

The pump is portable with a convenient carrying handle. If an existing pressure water system is to be used as a water supply, it can be connected with available fittings and 3/4" or 1" high pressure hose to the pump inlet. A special heavy duty 3/4" or 1" suction hose with fittings is available as an accessory. If pump is permanently mounted on wall, use a 3/4" or 1" pipe or heavy-duty hose for suction line. 20 GPM models require one-inch discharge hose to reduce friction losses.

**⚠ WARNING Hazardous pressure. Pump body may explode if pressures exceed rated limits.** Maximum inlet pressure is 80 PSI. Maximum discharge pressure is 315 PSI. Warranty is void if these pressure limits are exceeded.

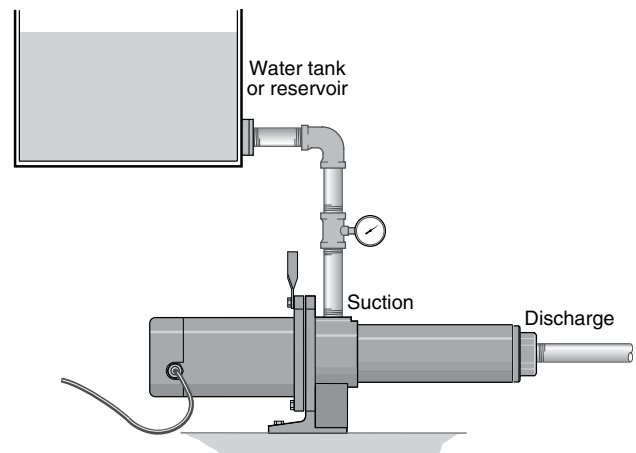
### HIGH PRESSURE BOOSTER PUMP INSTALLATION INSTRUCTIONS

These instructions cover high pressure booster pump installations as shown below:



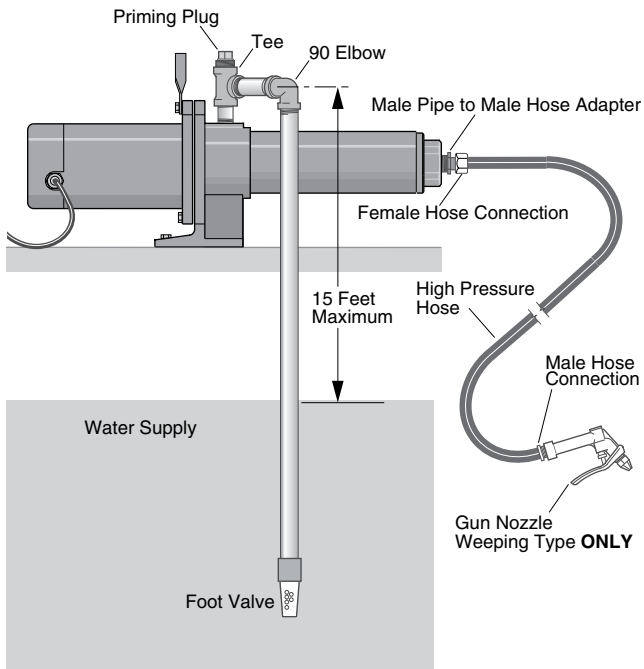
1208 0894

**Figure 1 – Connection to house service.**

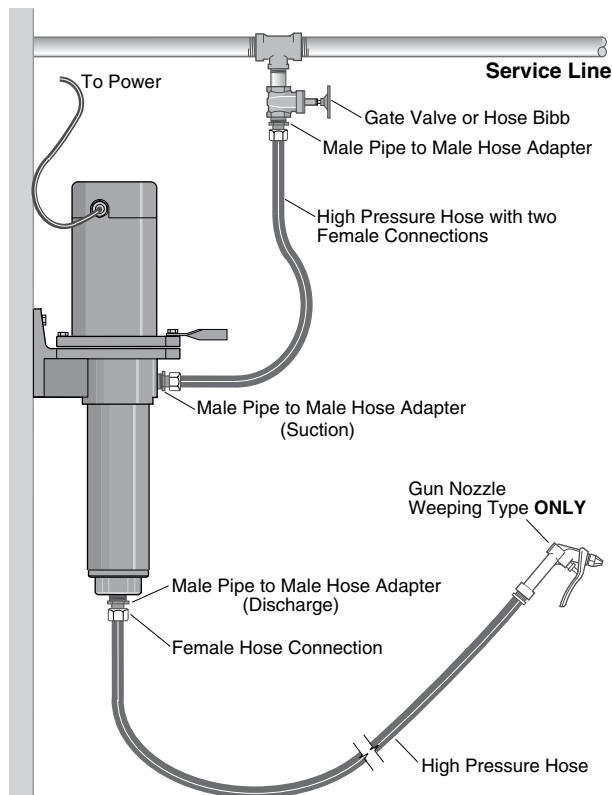


1207 0894

**Figure 2 – Connection to water reservoir.**



**Figure 3 – Cistern or shallow well installation.**



1209 0894

**Figure 4 – Wall mounted to pressurized service line.**

To reduce friction losses to a minimum, inlet (suction) line should be **short** and have as few elbows as possible.

Size the inlet according to the chart below:

Ave. GPM	Threaded Inlet Size	Recommended Inlet Line Size	Recommended Discharge Line Size
7	3/4" NPT	1"	1"
10	3/4" NPT	1"	1"
20	1" NPT	1-1/4"	1-1/4"

An inlet strainer will prevent suspended debris from clogging pump.

The internal running surfaces of the pump and seals require water lubrication for good, consistent operation. **Allowing pump to run dry will severely damage pump and seals.**

Install a pressure gauge in pump inlet line. Keep at least two pounds per square inch pressure (2 PSI) in inlet line whenever pump is operating. If this is not possible, consult customer service representative.

## LUBRICATION

It is not necessary to lubricate pump or motor. The motor is equipped with sealed ball bearings, lubricated for the life of the bearing. The mechanical shaft seal in the pump is self-lubricating and requires no adjustment. Disassemble pump to replace seal (See "Maintenance", Pages 6, 7 and 8).

## OPERATION

**NOTICE:** Observe the following precautions when operating the pump:

1. **Keep the motor dry! Do not** direct stream from pump discharge onto the motor!
2. **⚠️ WARNING Hazardous pressure. Do not** run the pump with discharge shutoff, as hose may burst or pump may be damaged due to high temperatures.
3. **Do not** use a standard trigger gun with this pump. Use only trigger guns with an automatic weeping feature. These are available as accessories and are provided with three nozzles. The smallest nozzle restricts the flow, allowing use of a smaller water source. The two larger nozzles are used if the water source will supply the pump's full capacity.
4. **Do not** run pump dry; to do so may damage the seal.
5. To avoid internal damage to pump, **Do not** operate with water temperature above 175 degrees F.

**⚠ Disconnect power before working on pump, motor, pressure switch, or wiring.**

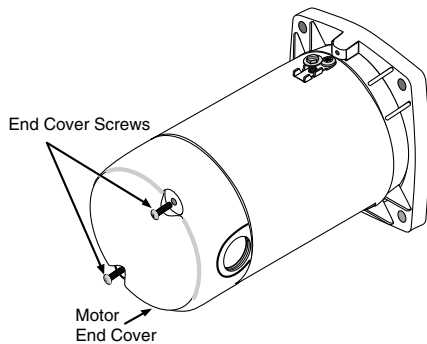
## MOTOR SWITCH SETTINGS

Dual-voltage motors (motors that can operate at either 115 or 230 volts), are set at the factory to 230 volts. Do not change motor voltage setting if line voltage is 230 volts, or if you have a single voltage motor.\*

**NOTE:** Never wire a 115 volt motor to a 230 volt line.

## REMOVE MOTOR END COVER

If you have a dual-voltage motor, and will connect it to 115 volts, follow the procedure below.

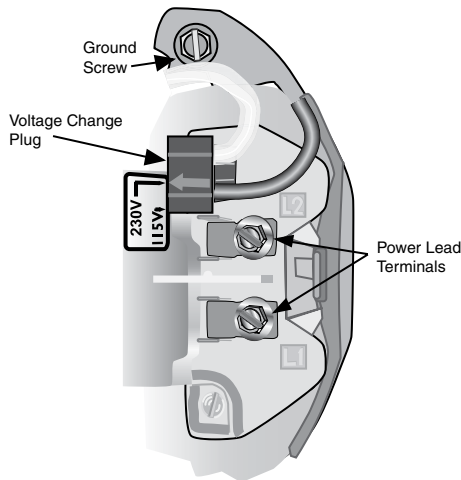


**Figure 5 – Removing Motor End Cover.**

You will need to remove the motor end cover to change the voltage setting.

Your motor terminal board (located under the motor end cover) should look like one of those below.

## PLUG TYPE VOLTAGE SELECTOR



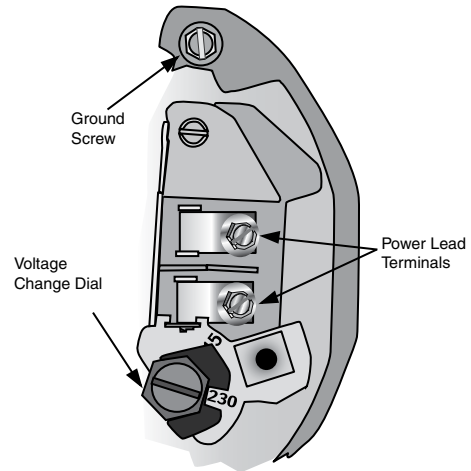
**Figure 6 – Voltage set to 230 volts, Plug Type.**

To change to 115 volts:

1. Make sure power is off.
2. Pull the plug straight up.
3. Move and attach the plug at the 115 volt position. The plug will now cover 2 metal tabs. The arrow on the plug will point to 115V.
4. Attach the power lead wires to the power lead terminals. Make sure the wires are secure.

5. Attach the ground wire to the green ground screw
  6. Reinstall the Motor end cover
- Go to Wiring Connections below.

## DIAL TYPE VOLTAGE SELECTOR



**Figure 7 – Voltage set to 230 volts, Dial Type.**

To change to 115 volts:

1. Make sure power is off.
  2. Turn the dial counter-clockwise until 115 shows in the dial window.
  3. Attach the power lead wires to the power lead terminals. Make sure the wires are secure.
  4. Attach the ground wire to the green ground screw
  5. Reinstall the Motor end cover
- Go to Wiring Connections below.

## ELECTRICAL

- ⚠ Ground motor before connecting to electrical power supply.**
- ⚠ Failure to ground motor can cause severe or fatal electrical shock hazard.**
- ⚠ Explosion hazard. Do not ground to a gas supply line.**
- ⚠ To avoid dangerous or fatal electrical shock, turn OFF power to motor before working on electrical connections.**
- ⚠ Supply voltage must be within  $\pm 10\%$  of nameplate voltage. Incorrect voltage can cause fire or serious damage to motor and voids warranty. If in doubt consult a licensed electrician.**
- ⚠ Use wire size specified in Wiring Chart (Table II, Page 6). If possible, connect pump to a separate branch circuit with no other appliances on it.**
- ⚠ Wire motor according to diagram on motor nameplate. If nameplate diagram differs from diagrams above, follow nameplate diagram.**

\* Models with power cords are pre-wired for 115 volts. This includes models 7MPB50 and 7MPB75.

## WIRING CONNECTIONS

1. Install, ground, wire and maintain this pump in compliance with the National Electrical Code (NEC) or the Canadian Electrical Code (CEC) and with all local codes and ordinances that apply. Consult your local building inspector for local information.
2. Make sure that the voltage, frequency and phase (single phase or three phase) of the power supply agree with that stamped on the motor nameplate. If in doubt, check with the power company.
3. Some models are equipped with three phase motors. Three phase motors require magnetic starters and can run in either direction, depending on how they are connected to the power supply.

**NOTICE:** Dual voltage motors without cords are factory wired for 230 volts. If necessary, reconnect the motor for 115 volts, as shown. All cord connected motors are wired for 115 volts (See Page 6). Do not alter the wiring in single voltage motors.

Install, ground, wire, and maintain your pump in compliance with the National Electrical Code (NEC) or the Canadian Electrical Code (CEC), as applicable, and with all local codes and ordinances that apply. Consult your local building inspector for code information.

**NOTICE:** Clamp the power cable to prevent strain on the terminal screws.

**NOTICE:** Your Motor Terminal Board (under the motor end cover) looks like one of those shown above. Do not change motor wiring if line voltage is 230 volts. Connect power supply as shown for your supply voltage.

**NOTICE:** Some models are equipped with three phase motors. Three phase motors require magnetic starters and can run in either direction, depending on how they are connected to the power supply.

## GROUNDING THE MOTOR

Ground the pump permanently using a wire of size and type specified by local or National Electrical Code.

**Models 7MPB50 and 7MPB75 with factory installed cord and plug:**

**▲ WARNING Risk of electric shock.** This equipment is only for use on 115V and is equipped with an approved 3-conductor cord and 3-prong, grounding-type plug. To reduce the risk of electric shock, be certain that it is connected to a properly grounded, grounding-type receptacle. Do not modify or remove plug. Make sure pump circuit meets National Electrical Code. To avoid dangerous electrical shock hazard, keep cord dry at all times.

**TABLE II - RECOMMENDED FUSING AND WIRING**

Motor H.P.	Volts/Phase	Max. Load Amps	Branch Fuse Rating Amps	Wire Length			
				0'-50'	51-100'	101-200'	201-300'
				AWG Wire Size			
1/2	115/230/1	12.4/ 6.2	20/15	12/14	12/14	10/14	8/14
3/4	115/230/1	14.8/7.4	20/15	12/14	12/14	8/14	6/14
1	115/230/1	19.2/9.6	25/15	10/14	10/14	8/14	6/12
1-1/2	115/230/1	24/12	30/15	10/14	10/14	6/12	6/12
1-1/2	230/1	12.0	15	14	14	14	12
2	115/230/1	26/13	35/20	8/12	8/12	6/12	4/10
2	230/1	10.4	15	14	14	14	14

## MAINTENANCE

### Pump Disassembly

**⚠ WARNING Hazardous voltage.** Can shock, burn or cause death. Disconnect power to pump before servicing.

Tools required:

1. 7/16" open end wrench (2 required).
2. Flat blade screwdriver with insulated handle.
3. Work bench with vise recommended.
4. Pliers or similar tool.
5. Pipe wrench.

### Impeller Stack Replacement (See Figure 8)

Remove pump from service and mount vertically in vise (if available) motor side down. Hold at center of motor. It may be desirable to wrap motor with a shop rag to protect outside surface.

Proceed as follows:

1. Attach pipe wrench to flats on discharge connection and turn clockwise to remove (left hand threads).
2. Remove screws holding motor canopy and remove canopy. Pull straight off as shown.

**⚠ WARNING Capacitor voltage may be hazardous.** To discharge capacitor, hold insulated handle screwdriver **by the handle** and short capacitor terminals together. Do not touch metal screwdriver blade or capacitor terminals.

3. Unscrew the overload and move it aside. Do not disconnect wires. Slide 7/16" open end wrench in behind spring loaded centrifugal switch as shown. Place on motor shaft flats to hold shaft stationary.
4. With one 7/16" wrench in place on motor shaft, place second wrench on shaft hex at pump end and unscrew impeller stack by turning counter-clockwise.
5. Once loose from motor shaft, hold shaft by snap ring using a pliers or similar tool, and pull stack from shell. You may have to apply a back and forth motion to break stack loose from shell.

To assemble with replacement impeller stack, keep pump in the vertical position, motor down, and reverse instructions 1 through 5.

Assembly hints:

- A. Apply a soapy water solution to suction and discharge O-Rings to ease seating of shell.
- B. Make sure mechanical shaft seal spring is in proper position on motor shaft.
- C. On three-phase models, apply Loctite No. 271 to motor shaft threads before reinstalling stack.

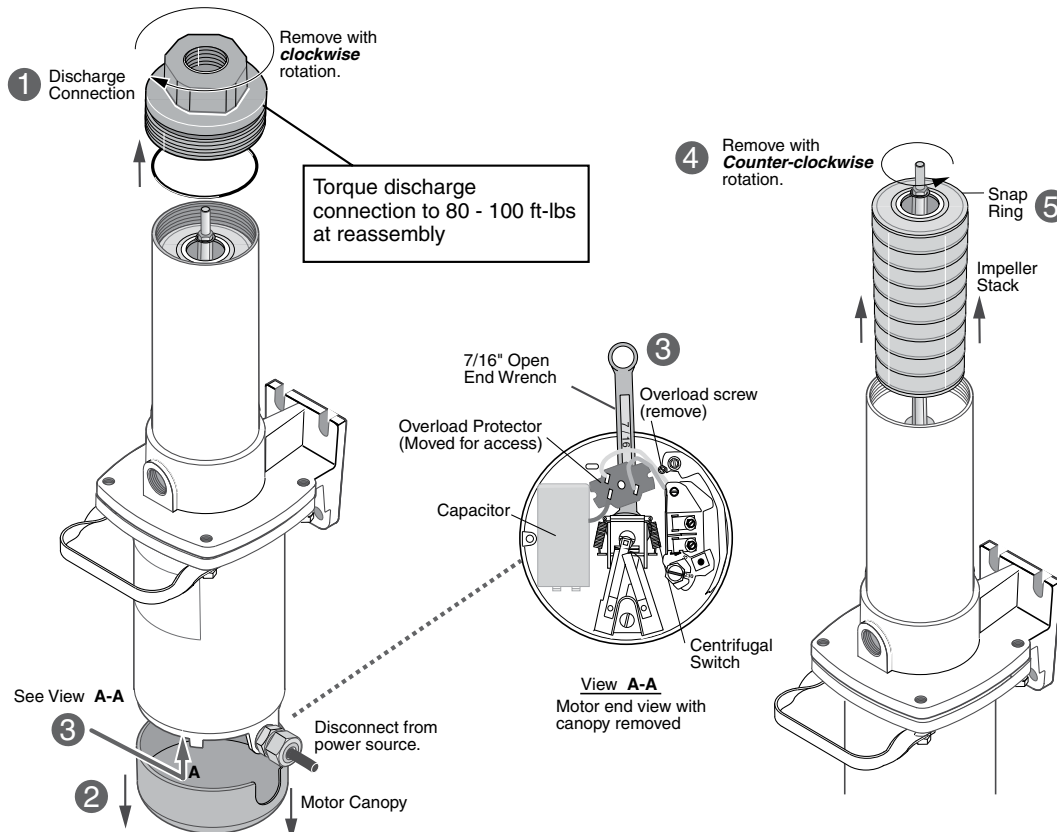


Figure 8 – Impeller stack replacement.

1211 0605

## Mechanical Seal Replacement

(refer to Figures 8 and 9)

This procedure is best completed with the pump held in a vertical position, motor down.

First complete “Disassembly” instructions 1 through 5 under “Impeller Stack Replacement” (see Figure 8).

6. Remove 4 capscrews holding pump body to motor. Pump handle will come off with top capscrews.
7. Unscrew pump shell from pump body, turning clockwise (left hand threads).
8. Remove mechanical shaft seal spring and rotating half from motor shaft. Use care not to scratch motor shaft when removing rotating half.
9. Remove pump body from motor and place on flat surface, face down. Again, use care not to scratch motor shaft.
10. Use a screwdriver to push ceramic seat out from seal cavity as shown.
11. Installation of ceramic seat:
  - A. Turn pump body over so seal cavity is up; clean cavity thoroughly.
  - B. Clean polished surface of ceramic seat with a clean cloth.
  - C. Lubricate outside rubber surface of seat with soapy water. Place cardboard washer over

polished face of seat and press into seal cavity using a 3/4" socket or a piece of 3/4" standard pipe.

- D. Be sure polished surface of seat is free of dirt and has not been damaged by insertion. Re-move excess soapy water. Dispose of cardboard washer.
12. Installation of rotating half and spring:
    - A. Reinstall pump body on motor using extreme caution not to hit ceramic portion of seal on motor shaft. Reattach pump body to motor using capscrews. Be sure to reinstall pump handle at this time.
    - B. Inspect shaft to make sure that it is clean.
    - C. Clean face of rotating half of seal with a clean cloth.
    - D. Lubricate inside diameter of rotating half with soapy water and slide onto motor shaft (sealing face first).
    - E. Place spring over motor shaft so it rests on rotating half.
  13. To complete reassembly from this point, reverse instructions 1 through 5 under “Impeller Stack Replacement.”

**NOTICE:** Lubricate suction and discharge O-Rings with soapy water for easier installation of shell.

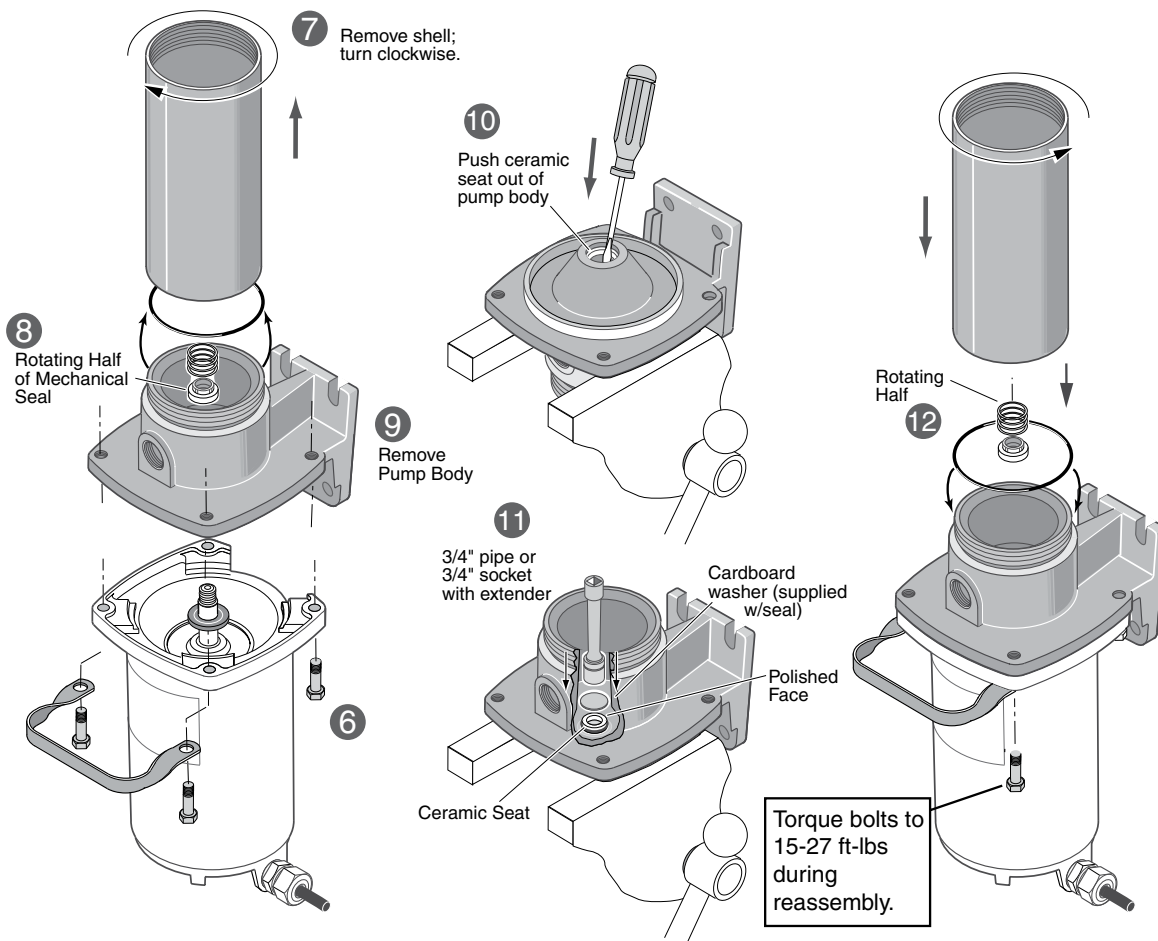
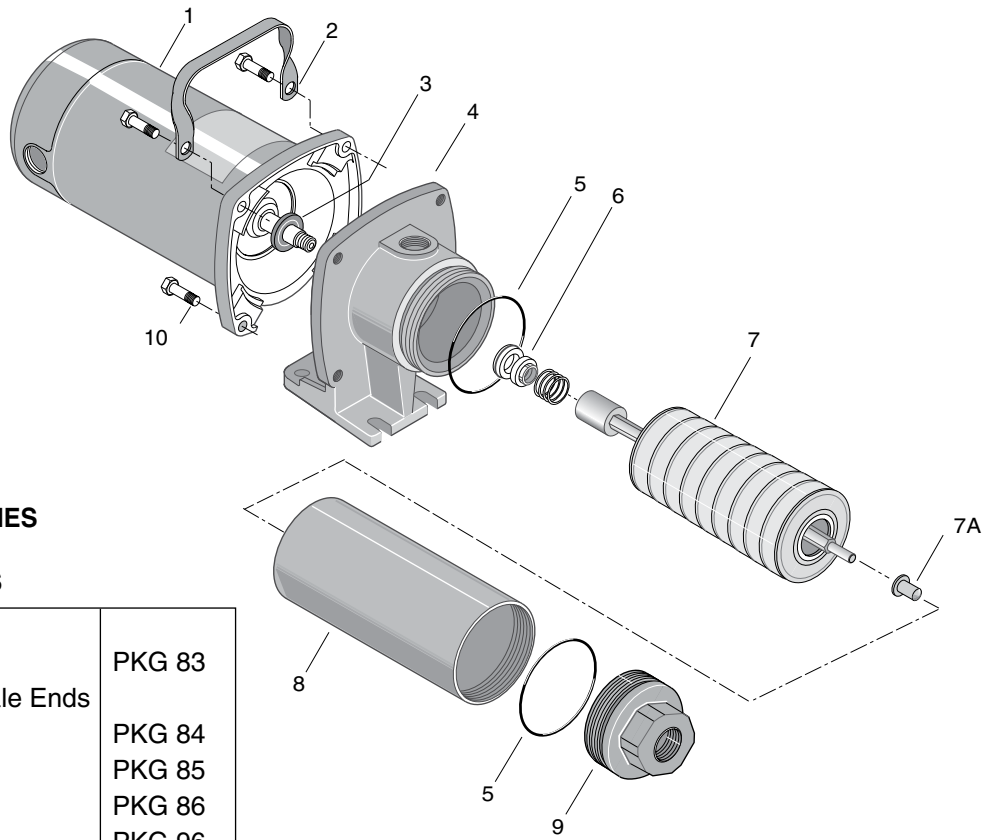


Figure 9 – Mechanical seal replacement.





**THE FOLLOWING ACCESSORIES  
MAY BE ORDERED FOR HIGH  
PRESSURE BOOSTER PUMPS**

Hose 6'-3/4" w/Female Ends (150 PSI Rating)	PKG 83
Hose 25'-3/4" w/Male & Female Ends (150 PSI Rating)	PKG 84
Adapter 3/4" NPT x 3/4" Hose	PKG 85
Nozzle - High Pressure	PKG 86
Suction Vacuum Relief Valve	PKG 96

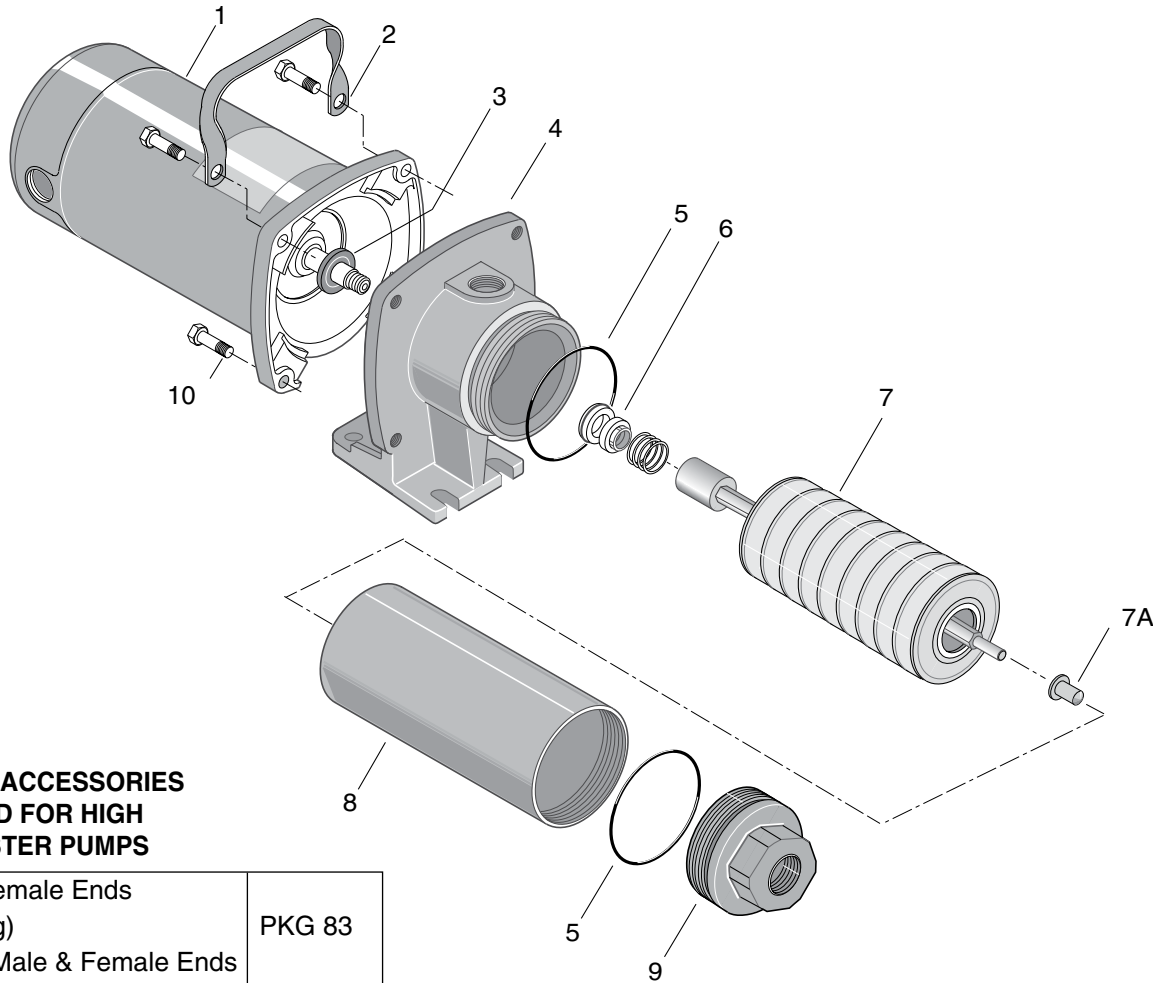
**REPAIR PARTS LIST**

Key No.	Description	Qty.	7MPB50 10MPB50 1/2 HP	7MPB75 10MPB75 3/4 HP	7MPB100 10MPB100 1 HP	10MPB150 1-1/2 HP	10MPB200 2 HP
1	Motor - 115/230 Volt, 1 Phase	1	J218-590PKG	J218-596PKG	J218-601PKG	J218-883APKG	J218-628APKG
2	Handle (†)	1	C54-21	C54-21	C54-21	-	-
3	Water Slinger	1	17351-0009	17351-0009	17351-0009	17351-0009	17351-0009
4	Pump Body	1	C2-85	C2-85	C2-85	C2-85	C2-85
5	O-Ring	2	U9-430	U9-430	U9-430	U9-430	U9-430
6	Shaft Seal Assembly	1	U109-118	U109-118	U109-118	U109-118	U109-118
7	Pump Stack (7 GPM Pump)	1	P325-422	P325-423	P325-424	-	-
7	Pump Stack (10 GPM Pump)	1	P325-425	P325-426	P325-439	P325-428	P325-429
7A	Nylatron Bearing (included with Key No. 9)	1	W31112	W31112	W31112	W31112	W31112
8	Pump Shell (7 GPM Pump)	1	P56-430SSL	P56-431SSL	P56-432SSL	-	-
8	Pump Shell (10 GPM Pump)	1	P56-460SSL	P56-461SSL	P56-469SSL	P56-452SSL	P56-432SSL
9	Discharge Assembly	1	C152-3	C152-3	C152-3	C152-3	C152-4
10	Cap screw - 3/8 x 16 x 1-1/2"	4	U30-982ZP	U30-982ZP	U30-982ZP	U30-982ZP	U30-982ZP
#	Cord Connector**	1	U71-7	U71-7	-	-	-
#	Cord**	1	U17-402	U17-1238	-	-	-

# Not Illustrated.

\*\* Included with Model Numbers 7MPB50 and 7MPB75.

† Handle comes with 7MPB series and 10MPB series.



**THE FOLLOWING ACCESSORIES  
MAY BE ORDERED FOR HIGH  
PRESSURE BOOSTER PUMPS**

Hose 6'-3/4" w/Female Ends (150 PSI Rating)	PKG 83
Hose 25'-3/4" w/Male & Female Ends (150 PSI Rating)	PKG 84
Adapter 3/4" NPT x 3/4" Hose	PKG 85
Nozzle - High Pressure	PKG 86
Suction Vacuum Relief Valve	PKG 96

**REPAIR PARTS LIST**

Key No.	Description	Qty.	20MPB100 1 HP	20MPB150 1-1/2 HP	20MPB200 2 HP
1	Motor - 115/230 Volt, 1 Phase	1	J218-601PKG	J218-883APKG	J218-628APKG
2	Handle	1	C54-21	C54-21	C54-21
3	Water Slinger	1	17351-0009	17351-0009	17351-0009
4	Pump Body	1	C2-85A	C2-85A	C2-85A
5	O-Ring	2	U9-430	U9-430	U9-430
6	Shaft Seal Assembly	1	U109-118	U109-118	U109-118
7	Pump Stack	1	P325-602R	P325-431R	P325-432R
7A	Nylatron Bearing (included with Key No. 9)	1	W31112	W31112	W31112
8	Pump Shell	1	P56-433SSL	P56-434SSL	P56-452SSL
9	Discharge Assembly	1	C152-3A	C152-3A	C152-3A
10	Capscrew - 3/8 x 16 x 1-1/2"	4	U30-982ZP	U30-982ZP	U30-982ZP

## Limited Warranty

F.E. MYERS warrants to the original consumer purchaser ("Purchaser" or "You") of the products listed below, that they will be free from defects in material and workmanship for the Warranty Period shown below.

Product	Warranty Period
Jet pumps, small centrifugal pumps, submersible pumps and related accessories	whichever occurs first: 12 months from date of original installation, or 18 months from date of manufacture
Fibrewound Tanks	5 years from date of original installation
Steel Pressure Tanks	5 years from date of original installation
Sump/Sewage/Effluent Products	12 months from date of original installation, or 24 months from date of manufacture

Our warranty will not apply to any product that, in our sole judgement, has been subject to negligence, misapplication, improper installation, or improper maintenance. Without limiting the foregoing, operating a three phase motor with single phase power through a phase converter will void the warranty. Note also that three phase motors must be protected by three-leg, ambient compensated, extra-quick trip overload relays of the recommended size or the warranty is void.

Your only remedy, and F.E. MYERS's only duty, is that F.E. MYERS repair or replace defective products (at F.E. MYERS's choice). You must pay all labor and shipping charges associated with this warranty and must request warranty service through the installing dealer as soon as a problem is discovered. No request for service will be accepted if received after the Warranty Period has expired. This warranty is not transferable.

F.E. MYERS SHALL NOT BE LIABLE FOR ANY CONSEQUENTIAL, INCIDENTAL, OR CONTINGENT DAMAGES WHATSOEVER. THE FOREGOING LIMITED WARRANTIES ARE EXCLUSIVE AND IN LIEU OF ALL OTHER EXPRESS AND IMPLIED WARRANTIES, INCLUDING BUT NOT LIMITED TO IMPLIED WARRANTIES OF MERCHANTABILITY AND FITNESS FOR A PARTICULAR PURPOSE. THE FOREGOING LIMITED WARRANTIES SHALL NOT EXTEND BEYOND THE DURATION PROVIDED HEREIN.

Some states do not allow the exclusion or limitation of incidental or consequential damages or limitations on the duration of an implied warranty, so the above limitations or exclusions may not apply to You. This warranty gives You specific legal rights and You may also have other rights which vary from state to state.

This Limited Warranty is effective June 1, 2011 and replaces all undated warranties and warranties dated before June 1, 2011.

**F.E. MYERS**  
**293 Wright Street, Delavan, WI 53115**  
**Phone: 888-987-8677 • Fax: 800-426-9446 • [www.femyers.com](http://www.femyers.com)**  
**In Canada: P. O. Box 9138, 269 Trillium Dr., Kitchener, Ontario N2G 4W5**  
**Phone: 519-748-5470 • Fax: 888-606-5484**

**This page intentionally left blank**

## Installations des pompes à moteur monophasé

### Dossier du propriétaire

Modèle de la pompe : \_\_\_\_\_

N° de série de la pompe : \_\_\_\_\_

Code de date de la pompe : \_\_\_\_\_

Puissance du moteur (en ch) \_\_\_\_\_ Tension en volts \_\_\_\_\_ Phase(s) \_\_\_\_\_

Date de l'installation : \_\_\_\_\_

Propriétaire : \_\_\_\_\_

Installateur : \_\_\_\_\_

Numéro de téléphone de l'installateur : \_\_\_\_\_



**⚠ DANGER**

**⚠ AVERTISSEMENT**

**⚠ ATTENTION**

## CONSIGNES DE SÉCURITÉ CONCERNANT L'ÉLECTRICITÉ

**⚠ AVERTISSEMENT**



Tension dangereuse.  
Risque de secousses  
électriques, de brûlures,  
voire de mort.

Mettre la pompe à la terre  
avant de la brancher sur le  
courant électrique.

**⚠** Certains modèles de pompes sont livrés avec un cordon électrique à 3 conducteurs, dont un de mise à la terre. Ne brancher ce cordon électrique que dans une prise de courant adéquatement mise à la terre et protégée par un disjoncteur de fuite à la terre. Ne pas lever la pompe par son cordon électrique.

**⚠** Cette pompe n'est pas submersible. Toujours garder son moteur sec. Ne pas laver le moteur. Ne pas l'immerger et le protéger contre les temps de pluie.

**⚠** Si on doit utiliser un cordon prolongateur, n'utiliser qu'un cordon prolongateur UL à 3 conducteurs dont un de mise à la terre. Ne permettre à aucune partie du cordon prolongateur de reposer dans l'eau ou dans un endroit humide.

**⚠** Avant d'intervenir sur la pompe, la débrancher du courant qui l'alimente.

**⚠ ATTENTION** Risque de brûlures. Ne pas toucher au moteur pendant qu'il fonctionne. Les moteurs modernes peuvent fonctionner par des températures élevées. Pour ne pas se brûler lorsqu'on intervient sur la pompe, la laisser refroidir pendant 20 minutes après l'avoir arrêtée, et ceci avant de la toucher.

Pour procéder à l'installation de cette pompe, suivre et observer tous les codes de la plomberie et de l'électricité de la municipalité et/ou du gouvernement fédéral.

**⚠ AVERTISSEMENT** Pression dangereuse. NE PAS faire fonctionner cette pompe si son refoulement est fermé, sinon le tuyau souple risque d'exploser ou bien la pompe risque d'être endommagée suite à des températures élevées.

### Avertissement lié à la Proposition 65 de la Californie

**⚠ AVERTISSEMENT** Ce produit et les accessoires connexes contiennent des produits chimiques reconnus dans l'État de la Californie comme pouvant provoquer des cancers, des anomalies congénitales ou d'autres dangers relatifs à la reproduction.

## LIRE TOUTES CES CONSIGNES DE SÉCURITÉ ET LES SUIVRE!

Ce symbole indique qu'il faut être prudent. Lorsque ce symbole apparaît sur la pompe ou dans cette Notice, rechercher une des mises en garde qui suivent, car elles indiquent toutes un potentiel possible de blessures corporelles.

**⚠ DANGER** avertit d'un danger qui causera des blessures corporelles, la mort ou des dommages matériels importants si on l'ignore.

**⚠ AVERTISSEMENT** avertit d'un danger qui risquera de causer des blessures corporelles, la mort ou des dommages matériels importants si on l'ignore.

**⚠ ATTENTION** avertit d'un danger qui causera ou qui risquera de causer des blessures corporelles, la mort ou des dommages matériels importants si on l'ignore.

Le mot **REMARQUE** indique des instructions spéciales et importantes n'ayant aucun rapport avec les dangers.

## CONSEILS CONCERNANT LA SÉCURITÉ EN GÉNÉRAL

Pour éviter tout risque de blessures corporelles graves et des dommages matériels, lire attentivement toutes les consignes de sécurité avant d'installer cette pompe.

Ne pas laisser geler la pompe ni aucun composant du système. Laisser geler la pompe ou les composants du système annulera la garantie.

**⚠ AVERTISSEMENT** Risque de secousses électriques. Si on doit intervenir sur la pompe, et pour éviter toute électrocution mortelle, procéder comme suit.

- Avant de débrancher le cordon électrique de cette pompe de la prise de courant, couper le courant alimentant la prise.** Avant d'intervenir sur la pompe, et après avoir débranché le cordon électrique de la prise de courant, laisser refroidir la pompe pendant 20 minutes.
- Il faut être extrêmement prudent lorsqu'on remplace les fusibles.** Pour diminuer les risques d'électrocution mortelle, **NE PAS** se tenir dans l'eau ni mettre un doigt dans la douille du fusible.
- Mettre à la terre** la prise de courant électrique.
- Ne brancher le cordon électrique de cette pompe **que dans une prise de courant mise à la terre et protégée par un disjoncteur de fuite à la terre.**

**Ne jamais faire fonctionner la pompe à sec**, sinon ses pièces internes seront endommagées, la pompe surchauffera (et les personnes qui la toucheront ou qui interviendront sur la pompe risqueront de se brûler). De plus, cette pratique annule la garantie.

Ne pas pomper de produits chimiques ni de produits corrosifs avec cette pompe.

**⚠ AVERTISSEMENT** Pression dangereuse.

- N'UTILISER QUE des tuyaux de refoulement souples haute pression renforcés.** Se reporter à la liste des pièces détachées pour connaître les tuyaux souples, les buses et les raccords livrables. Il est recommandé de poser une soupape de décharge haute pression.
- NE PAS utiliser de tuyaux d'arrosage avec une pompe de surpression.** Un tuyau d'arrosage ne résistera pas aux pressions de refoulement produites et il éclatera.
- Le jet de refoulement haute pression de cette pompe est dangereux.** Pour éviter des blessures, **NE PAS diriger le jet vers des personnes ou des animaux.**
- S'ASSURER que la pression du tuyau d'aspiration de la pompe, plus la pression de refoulement de la pompe, ne dépassent pas la pression nominale du tuyau de refoulement et des raccords.** Se reporter au **Tableau I** pour connaître les pressions nominales de refoulement de la pompe.

## INSPECTION DU PRODUIT

Cette pompe de surpression a été attentivement inspectée et emballée pour s'assurer qu'elle sera livrée sans avoir été endommagée. Inspecter la pompe et tous les raccords et rapporter, au transporteur, les dommages qu'on aura remarqués ou si des pièces manquent.

## TABLEAU I - PRESSIONS DE REFOULEMENT

Gal/min	Puissance en ch	Nombre de roues	Lb/po <sup>2</sup> de la pression de refoulement au débit nominal	Lb/po <sup>2</sup> de la pression de refoulement au aucun débit
7	1/2	9	90	130
7	3/4	12	123	173
7	1	16	162	229
10	1/2	6	74	113
10	3/4	8	97	147
10	1	10	134	188
10	1-1/2	14	173	206
10	2	16	197	260
20	1	7	75	110
20	1-1/2	9	97	143
20	2	11	123	175

\*Pour connaître la pression de refoulement totale, ajouter cette pression à la pression du tuyau d'aspiration. Prenons, par exemple, une pompe modèle 7MPB50 qui prend son aspiration sur une conduite de service d'eau dont la pression est de 689,5 kPa (100 lb/po<sup>2</sup>). Cette pompe développera alors une pression de refoulement totale à un débit de 0 gal/min de 896,5 kPa (80 lb/po<sup>2</sup>) + 689,5 kPa (100 lb/po<sup>2</sup>) = 1 586 kPa (230 lb/po<sup>2</sup>). Si la pression d'aspiration chute à 344,50 kPa (50 lb/po<sup>2</sup>), la pression de refoulement chutera à 1 241 kPa (180 lb/po<sup>2</sup>).

## INSTALLATION

Cette pompe est conçue pour augmenter la pression de l'eau municipale ou la pression de l'eau d'un réseau d'eau privé. Utiliser le jet haute pression produit par cette pompe pour laver les laiteries, les granges, les garages et les allées de garage ou pour la protection contre l'incendie.

Grâce à une poignée pratique, il est possible de transporter cette pompe. Si un réseau d'eau sous pression existant est utilisé en tant qu'alimentation en eau, il pourra être branché sur l'arrivée de la pompe avec les raccords livrables et un tuyau souple haute pression de 3/4 de po ou d'un (1) pouce. Un tuyau souple d'aspiration renforcé spécial de 3/4 de po ou d'un (1) pouce muni de raccords est livrable en tant qu'accessoire. Si la pompe est montée en permanence sur un mur, utiliser, comme conduite d'aspiration, un tuyau rigide ou un tuyau souple renforcé de 3/4 de po ou d'un (1) pouce. Dans le cas des modèles débitant 75 litres par minute (20 gal/min), l'utilisation d'un tuyau de refoulement souple d'un (1) pouce est requise pour réduire les pertes de charge.

**▲ AVERTISSEMENT** **Pression dangereuse. Le corps de la pompe peut exploser si les pressions dépassent les limites nominales.** La pression d'arrivée maximale est de 551 kPa (80 lb/po<sup>2</sup>). La pression maximale de refoulement est de 2 172 kPa (315 lb/po<sup>2</sup>). La garantie sera annulée si ces pressions limites sont dépassées.

## INSTRUCTIONS POUR INSTALLER UNE POMPE DE SURPRESSION

Ces instructions traitent des différents types d'installations d'une pompe de surpression, comme il est illustré ci-dessous :

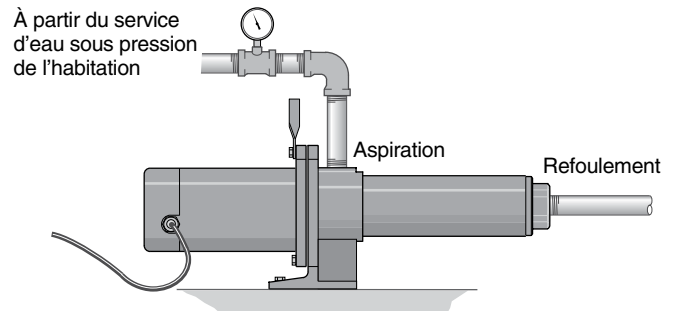


Figure 1 – Branchement sur le service d'eau d'une habitation.

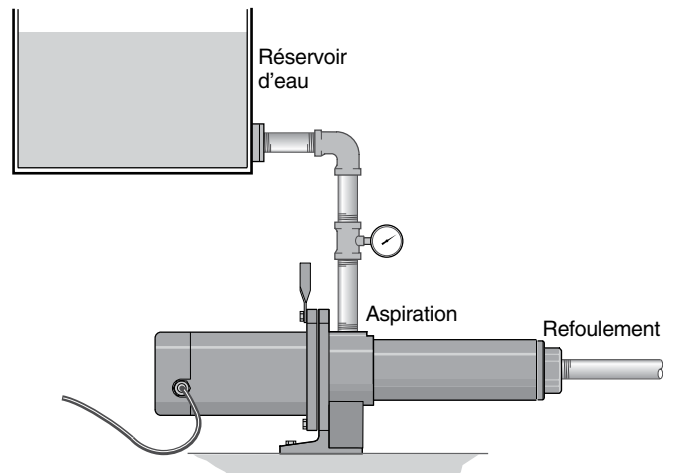
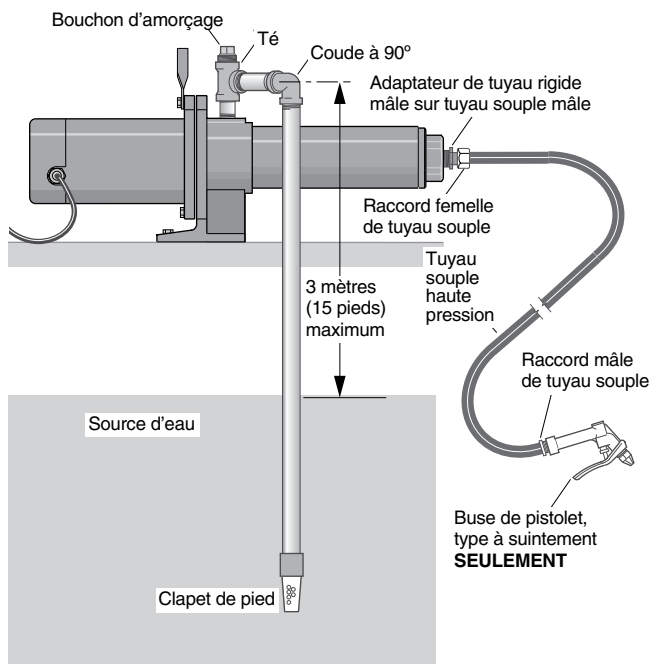
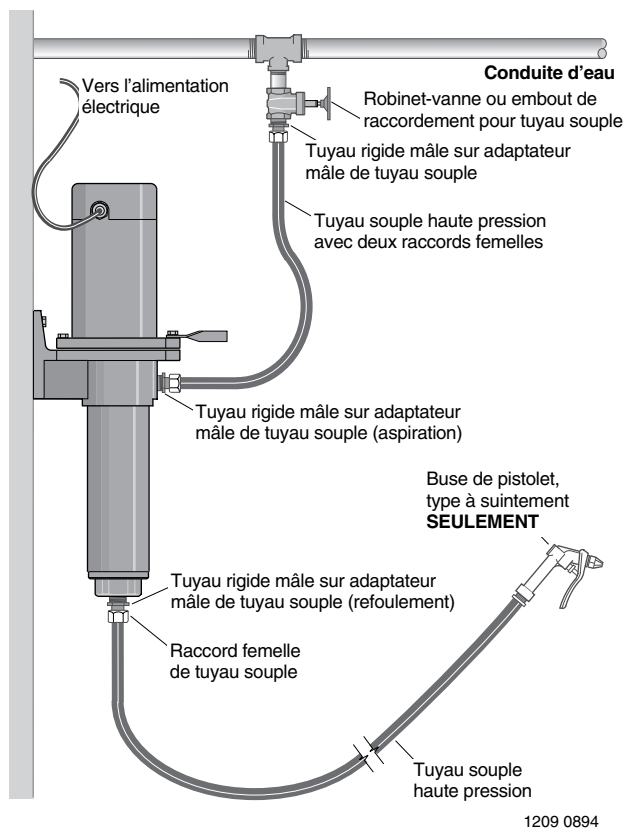


Figure 2 – Branchement sur un réservoir d'eau.



**Figure 3 – Installation sur une citerne ou un puits peu profond.**



**Figure 4 – Montage au mur sur une conduite d'eau sous pression.**

Pour réduire au minimum les pertes de charge, la conduite d'arrivée (d'aspiration) doit être **courte** et comporter le moins possible de coudes.

Déterminer le diamètre de l'arrivée conformément au Tableau ci-dessous :

Gal/min (débit moyen)	Diamètre de l'arrivée fileté	Diamètre recommandé de la conduite d'arrivée	Diamètre recommandé de la conduite de refoulement
7	3/4 de po NPT	1 po	1 po
10	3/4 de po NPT	1 po	1 po
20	1 de po NPT	1 1/4 po	1 1/4 po

Une crépine posée sur la conduite d'arrivée empêchera les débris en suspension dans l'eau de boucher la pompe.

Les surfaces de fonctionnement internes de la pompe, ainsi que ses joints, doivent être lubrifiés par l'eau pour un bon fonctionnement constant de la pompe. **Laisser fonctionner la pompe à sec endommagera gravement la pompe ainsi que ses joints.**

Poser un manomètre dans la conduite d'arrivée de la pompe. Garder une pression d'au moins 13,79 kPa (2 lb/po<sup>2</sup>) dans la conduite d'arrivée, que la pompe fonctionne ou non. Si cela n'est pas possible, consulter un représentant du service à la clientèle.

## LUBRIFICATION

Il n'est pas nécessaire de lubrifier la pompe ni le moteur. Le moteur est équipé de roulements à billes étanches, lesquels ont été lubrifiés pour toute leur durée. Le joint mécanique de l'arbre de la pompe est autolubrifié et ne nécessite aucun réglage. Démontez la pompe pour remplacer le joint. (Se reporter à la rubrique « Entretien », pages 22 à 24).

## FONCTIONNEMENT

**REMARQUE :** Pour faire fonctionner la pompe, observer les précautions suivantes :

- Garder le moteur sec. Ne pas** diriger le jet de la pompe sur le moteur!
- AVERTISSEMENT** **Pression dangereuse. Ne pas** faire fonctionner la pompe si son refoulement est fermé, étant donné que le tuyau souple risquera d'éclater ou bien que la pompe risquera d'être endommagée suite aux températures élevées qui se développeront.
- Ne pas** utiliser un pistolet à gâchette standard avec cette pompe. N'utiliser qu'un pistolet à gâchette doté d'une caractéristique à suintement automatique. On peut se procurer ce type de pistolet en tant qu'accessoire et il est livrable avec trois buses. La buse la plus petite réduit le débit, ce qui permet d'aspirer l'eau d'une source d'eau moins importante. Les deux buses plus grandes sont utilisées si la source d'eau permet d'aspirer l'eau de la pompe à son plein débit.
- Ne pas** faire fonctionner la pompe à sec, sinon ses joints seront endommagés.
- Pour éviter que les pièces internes de la pompe soient endommagées, **ne pas** faire fonctionner la pompe si la température de l'eau dépasse 80 °C (175 °F).



**⚠ Couper le courant avant d'intervenir sur la pompe, le moteur, le pressostat ou le câblage.**

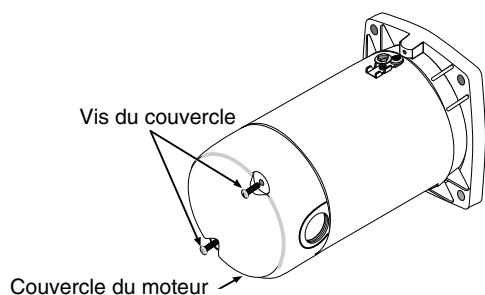
## RÉGLAGES DU MOTEUR

Les moteurs bitension (C'est-à-dire ceux qui fonctionnent sur le courant de 115 ou de 230 volts) sont réglés à l'usine pour fonctionner sur le courant de 230 volts). Ne pas modifier le réglage de la tension du moteur si la tension secteur est de 230 volts ou si le moteur est un moteur à une seule tension.\*

**REMARQUE :** Ne jamais câbler un moteur fonctionnant sur le courant de 115 volts sur un circuit de 230 volts.

## POUR DÉPOSER LE COUVERCLE DU MOTEUR

Dans le cas d'un moteur bitension devant être branché sur le courant de 115 volts, procéder comme il est indiqué ci-dessous.

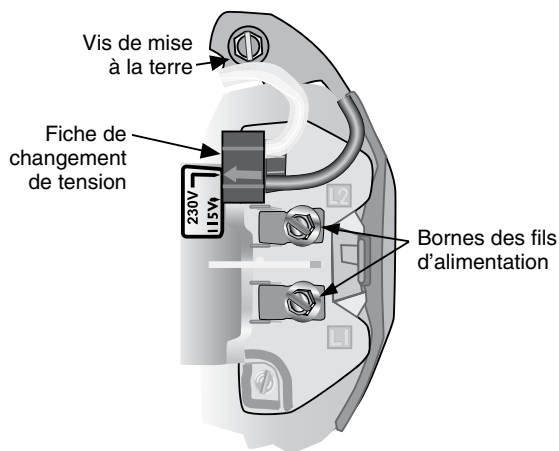


**Figure 3 – Dépose du couvercle du moteur**

Le couvercle du moteur devra être déposé pour modifier le réglage de la tension.

La palette à bornes du moteur (qui se trouve sous le couvercle du moteur) doit ressembler à une de celles qui suivent.

## SÉLECTEUR DE TENSION À FICHE



**Figure 4 – Tension réglée sur le courant de 230 volts. Sélecteur à fiche.**

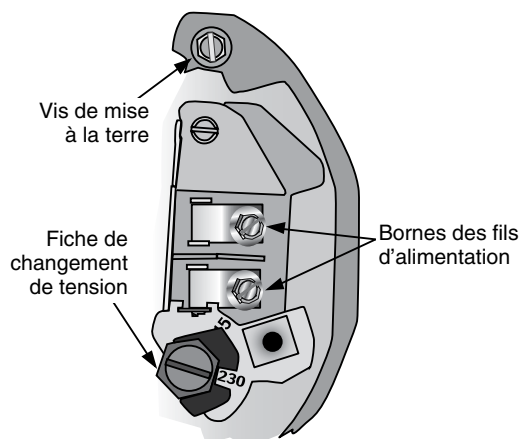
Pour faire fonctionner le moteur sur le courant de 115 volts :

1. S'assurer que le courant est coupé.
2. Tirer droit sur la fiche.
3. Déplacer la fiche, puis la brancher sur la position 115 volts. La fiche couvrira maintenant 2 pattes métalliques. La flèche de la fiche sera orientée vers « 115V ».
4. Brancher les fils d'alimentation sur les bornes. S'assurer que les fils sont bien retenus en place.
5. Brancher le fil de mise à la terre sur la vis verte de mise à la terre.

6. Reposer le couvercle du moteur.

Passer à la rubrique « Câblage » qui suit.

## SÉLECTEUR DE TENSION ROTATIF



**Figure 5 – Tension réglée sur le courant de 230 volts. Sélecteur rotatif.**

Pour faire fonctionner le moteur sur le courant de 115 volts :

1. S'assurer que le courant est coupé.
  2. Tourner le sélecteur à gauche jusqu'à ce que « 115 » apparaisse dans la fenêtre du cadran.
  3. Brancher les fils d'alimentation sur les bornes. S'assurer que les fils sont bien retenus en place.
  4. Brancher le fil de mise à la terre sur la vis verte de mise à la terre.
  5. Reposer le couvercle du moteur.
- Passer à la rubrique « Câblage » qui suit.

## ÉLECTRICITÉ

- ⚠ **Mettre le moteur à la terre avant de le brancher sur le courant électrique.**
- ⚠ **Ne pas mettre le moteur à la terre risque de causer de graves secousses électriques, voire une électrocution mortelle.**
- ⚠ **Risque d'explosion. Ne pas mettre le moteur à la terre sur une conduite de gaz.**
- ⚠ **Pour éviter tout risque de secousses électriques dangereuses, voire mortelles, COUPER le courant alimentant le moteur avant d'intervenir sur les connexions électriques.**
- ⚠ **La tension du courant d'alimentation doit être de  $\pm 10\%$  de la tension indiquée sur la plaque signalétique. Le branchement sur une tension non recommandée risque de causer un incendie ou de gravement endommager le moteur, ce qui annulera la garantie. En cas de doute, consulter un électricien qualifié.**
- ⚠ **Utiliser des fils dont le calibre correspond à un de ceux spécifiés dans le Tableau de câblage (Tableau II de la page 6). Dans la mesure du possible, brancher la pompe sur un circuit électrique séparé sur lequel aucun autre appareil ne sera branché.**
- ⚠ **Brancher le moteur conformément au schéma figurant sur la plaque signalétique du moteur. Si le schéma de la plaque signalétique du moteur diffère des schémas ci-dessus, brancher le moteur comme il est indiqué sur la plaque signalétique du moteur.**

\* Les modèles équipés d'un cordon d'alimentation sont pré-réglés sur le 115 volts. C'est le cas des modèles 7MPB50 et 7MPB75.

## CONNEXIONS DU CÂBLAGE

1. Installer, mettre à la terre, câbler et entretenir cette pompe conformément au National Electrical Code [NEC], au Code canadien de l'électricité (CCE) et à tous les codes et décrets de la municipalité en vigueur. Pour de plus amples renseignements, s'adresser à l'inspecteur des bâtiments de la municipalité.
2. S'assurer que la tension, que la fréquence et que la phase du courant d'alimentation (courant monophasé) correspondent à celles indiquées sur la plaque signalétique du moteur. En cas de doute, s'adresser à la compagnie fournissant l'électricité.
3. Certains modèles sont équipés d'un moteur triphasé sur lequel un démarreur magnétique doit être utilisé. Ces moteurs peuvent fonctionner dans un sens ou de l'autre, en fonction de la façon dont ils sont branchés sur le courant électrique.

**REMARQUE :** Les moteurs bitension sont câblés à l'usine pour fonctionner sur le courant de 230 volts. Au besoin, modifier le câblage pour que le moteur fonctionne sur le 115 volts, comme il est illustré. Tous les moteurs équipés d'un cordon électrique sont câblés pour fonctionner sur le courant de 115 volts. (Se reporter à la page 6.) Ne pas modifier le câblage des moteurs à une tension.

Installer, mettre à la terre, câbler et entretenir cette pompe conformément au National Electrical Code [NEC], au Code canadien de l'électricité (CCE) et à tous les codes et décrets de la municipalité en vigueur. Pour de plus amples renseignements, s'adresser à l'inspecteur des bâtiments de la municipalité.

**REMARQUE :** Serrer le câble avec un collier pour empêcher toute contrainte sur les vis de raccordement des fils.

**REMARQUE :** La plaquette à bornes du moteur (qui se trouve sous le couvercle d'extrémité du moteur) ressemble à une de celles illustrée ci-dessus. Ne pas modifier le câblage du moteur si la tension de ligne est de 230 volts. Procéder au branchement comme il est indiqué, en fonction de la tension d'alimentation.

**REMARQUE :** Certains modèles sont équipés d'un moteur triphasé sur lequel un démarreur magnétique doit être utilisé. Ces moteurs peuvent fonctionner dans un sens ou de l'autre, en fonction de la façon dont ils sont branchés sur le courant d'alimentation.

## MISE À LA TERRE DU MOTEUR

Mettre en permanence la pompe à la terre à l'aide d'un fil dont le diamètre et le type spécifiés correspondront à ceux stipulés par le National Electrical Code, le Code canadien de l'électricité ou les codes de la municipalité.

**Modèles (séries 7MPB50-01 et 7MPB75-01 seulement) équipés d'origine d'un cordon électrique et d'une fiche :**

**▲ AVERTISSEMENT** **Risque de secousses électriques.** Cette électropompe, qui est équipée d'un cordon électrique à 3 conducteurs et d'une fiche à 3 broches dont une de mise à la terre approuvés, ne doit être branchée que sur le courant alternatif de 115 volts. Pour réduire les risques de secousses électriques, s'assurer de brancher la fiche de ce cordon électrique dans une prise de courant avec mise à la terre et adéquatement mise à la terre. Ne pas modifier ni enlever la fiche du cordon électrique. S'assurer que le circuit de la pompe correspond au National Electrical Code et/ou au Code canadien de l'électricité. Pour éviter le risque de secousses électriques dangereuses, le cordon électrique doit toujours être sec.

## TABLEAU II - CÂBLES ET FUSIBLES RECOMMANDÉS

Puissance du moteur (en ch)	Volts/phase	Charge max. en ampères	Fusible Intensité en ampères	Longueur des fils			
				De 0 à 50 pi	De 51 à 100 pi	De 101 à 200 pi	De 201 à 300 pi
				Calibre AWG (diamètre) des fils			
1/2	115/230/1	12,4/ 6,2	20/15	12/14	12/14	10/14	8/14
3/4	115/230/1	14,8/7,4	20/15	12/14	12/14	8/14	6/14
1	115/230/1	19,2/9,6	25/15	10/14	10/14	8/14	6/12
1-1/2	115/230/1	24/12	30/15	10/14	10/14	6/12	6/12
1-1/2	230/1	12,0	15	14	14	14	12
2	115/230/1	26/13	35/20	8/12	8/12	6/12	4/10
2	230/1	10,4	15	14	14	14	14

## ENTRETIEN

### Démontage de la pompe

**⚠ AVERTISSEMENT Tension dangereuse.** Risque de secousses électriques, de brûlures, voire de mort. Avant d'intervenir sur la pompe, couper le courant qui l'alimente.

Outils requis :

1. Deux (2) clés à fourche de 7/16 de po.
2. Un (1) tournevis à lame plate et à manche isolé.
3. Un (1) établi et un (1) étau (recommandé).
4. Des pinces ou des outils identiques.
5. Une (1) clé à tube.

### Remplacement des roues de l'impulseur

(Se reporter à la Figure 8)

Débrancher la pompe des tuyaux, puis monter la pompe à la verticale dans un étau (dans la mesure du possible) en orientant son moteur vers le bas. Serrer le moteur au centre. On voudra peut-être envelopper le moteur avec un chiffon afin de protéger sa surface extérieure.

Procéder ensuite comme suit :

1. Poser la clé à tube sur les méplats du raccord de refoulement, puis la tourner à gauche pour déposer le raccord de refoulement (filets à gauche).
2. Déposer les vis de fixation du couvercle du moteur, puis déposer le couvercle du moteur. Tirer bien droit sur le couvercle, comme il est illustré.

**⚠ AVERTISSEMENT La tension du condensateur peut être dangereuse.** Pour décharger un condensateur, tenir un

tournevis à manche isolé **par son manche**, puis court-circuiter les bornes du condensateur. Ne pas toucher la lame métallique du tournevis ni les bornes du condensateur.

3. Dévisser le dispositif de protection contre les surcharges et l'éloigner. Ne pas débrancher les fils. Glisser une clé à fourche de 7/16 de po derrière l'interrupteur centrifuge à ressorts, comme il est illustré, en la faisant reposer sur les méplats de l'arbre du moteur afin d'immobiliser le moteur.
4. La clé à fourche de 7/16 de po reposant sur les méplats de l'arbre du moteur, poser la deuxième clé à fourche de 7/16 de po sur la partie hexagonale du moteur, à l'extrémité de la pompe, puis dévisser les roues de l'impulseur en tournant la clé à gauche.
5. Lorsque les roues de l'impulseur seront desserrées de l'arbre du moteur, immobiliser le moteur par le jonc d'arrêt à l'aide d'une pince ou d'un outil identique, puis sortir les roues du boîtier. Il faudra peut-être déplacer les roues de droite à gauche pour les dégager du boîtier.

Pour poser les roues de l'impulseur de rechange, laisser la pompe en position verticale, son moteur étant toujours orienté vers le bas, puis procéder à l'inverse des opérations 1 à 5.

Conseils pour le remontage :

- A. Appliquer une solution d'eau savonneuse sur les joints toriques de l'aspiration et du refoulement pour reposer plus facilement le boîtier.
- B. S'assurer que le ressort du joint mécanique de l'arbre est posé dans la bonne position sur l'arbre du moteur.
- C. Dans le cas des modèles triphasés, appliquer du Loctite n° 271 sur les filets de l'arbre du moteur avant de reposer les roues de l'impulseur.

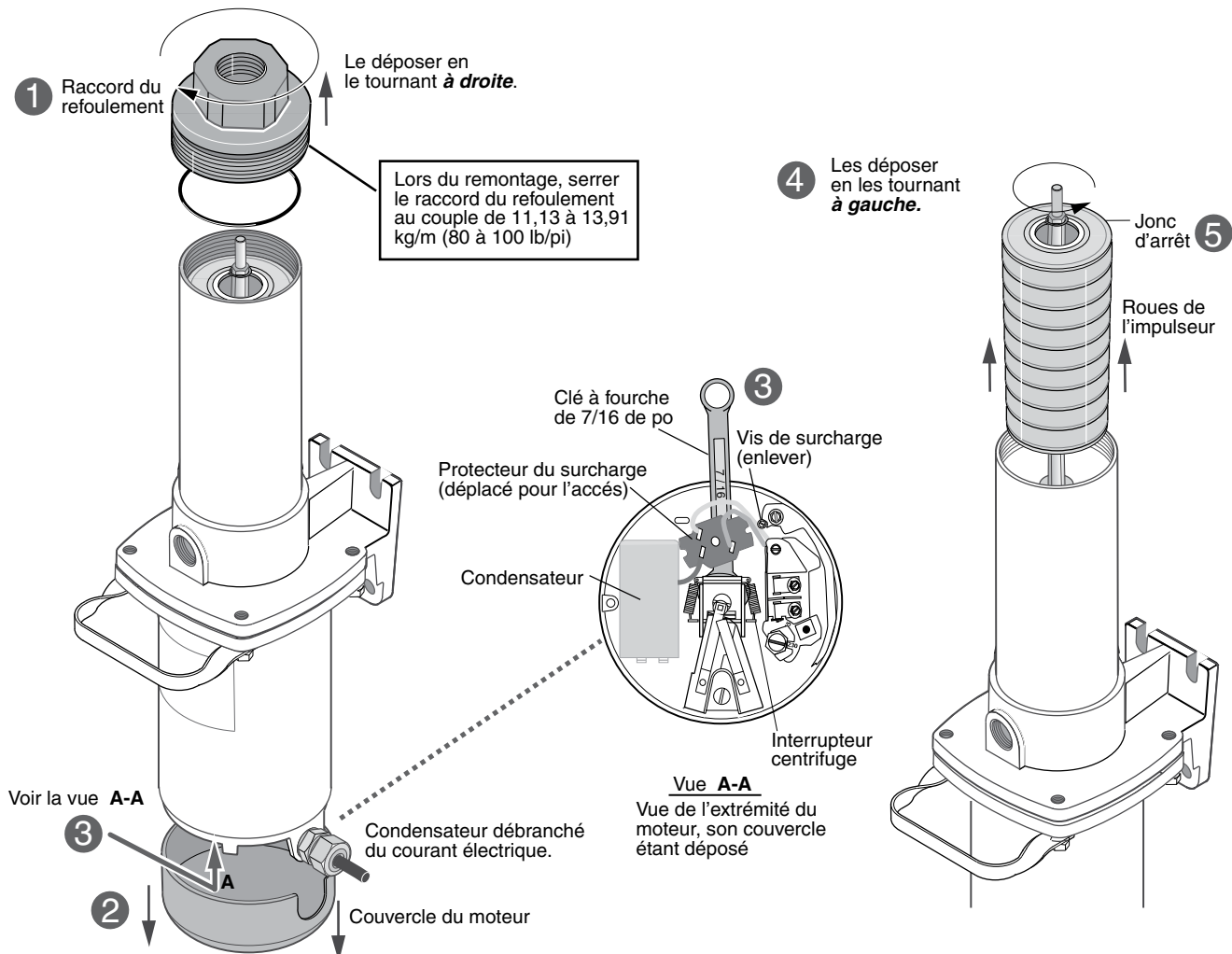


Figure 8 – Remplacement des roues de l'impulseur.

1211 0894 FR

## Remplacement du joint mécanique

(se reporter aux Figures 8 et 9)

Il est plus facile de procéder à cette opération pendant que la pompe est retenue en position verticale, son moteur étant orienté vers le bas.

Procéder tout d'abord aux opérations 1. à 5. figurant sous la rubrique « **Démontage** » de la section « **Remplacement des roues de l'impulseur** ». (Se reporter à la Figure 8).

6. Déposer les quatre (4) vis d'assemblage qui retiennent le corps de la pompe sur le moteur. La poignée de la pompe viendra avec les vis d'assemblage du haut.
7. Dévisser le boîtier du corps de la pompe en le tournant à gauche (filets à gauche).
8. Déposer le ressort du joint mécanique de l'arbre ainsi que la moitié rotative du joint de l'arbre du moteur. Il faut être extrêmement prudent lors de la dépose de la moitié rotative du joint et faire bien attention de ne pas rayer l'arbre du moteur.
9. Déposer le corps de la pompe du moteur, puis le poser sur une surface plane, sa partie avant étant orientée vers le bas. À nouveau, faire bien attention de ne pas rayer l'arbre du moteur.
10. Avec un tournevis, chasser le siège en céramique de la cavité du joint, comme il est illustré.
11. Pose du siège en céramique :
  - A. Tourner le corps de la pompe à l'envers de façon que la cavité du joint soit orientée vers le haut. Bien nettoyer la cavité.
  - B. À l'aide d'un chiffon propre, bien nettoyer la surface polie du siège en céramique.
  - C. Avec de l'eau savonneuse, lubrifier la partie extérieure en caoutchouc du siège. Poser une rondelle en carton sur

la surface polie du siège, puis pousser cette rondelle en carton dans la cavité du joint à l'aide d'une douille de 3/4 de po ou d'un morceau de tuyau standard de 3/4 de po.

- D. S'assurer que la surface polie du siège est bien propre et qu'elle n'a pas été endommagée lorsqu'on l'a introduite. Essuyer toute l'eau savonneuse en trop. Jeter la rondelle en carton.
12. Pose de la moitié rotative du joint et du ressort :
  - A. Prudemment, reposer le corps de la pompe sur le moteur en faisant bien attention de ne pas cogner la partie céramique du joint qui se trouve sur l'arbre du moteur. Rattacher le corps de la pompe sur le moteur avec les vis d'assemblage. Ne pas oublier de reposer la poignée de la pompe en même temps.
  - B. Inspecter l'arbre pour s'assurer qu'il est propre.
  - C. Avec un chiffon propre, nettoyer la moitié rotative du joint.
  - D. Avec de l'eau savonneuse, lubrifier le diamètre intérieur de la moitié rotative du joint, puis glisser cette moitié sur l'arbre du moteur (le côté faisant étanchéité en premier).
  - E. Reposer le ressort sur l'arbre du moteur de façon qu'il repose sur la moitié rotative du joint.
13. Pour terminer le remontage à partir de ce point, procéder à l'inverse des opérations 1. à 5. figurant sous la rubrique « **Démontage** » de la section « **Remplacement des roues de l'impulseur** ».

**REMARQUE :** Pour faciliter la reposes du boîtier, lubrifier les joints toriques de l'aspiration et du refoulement avec de l'eau savonneuse.

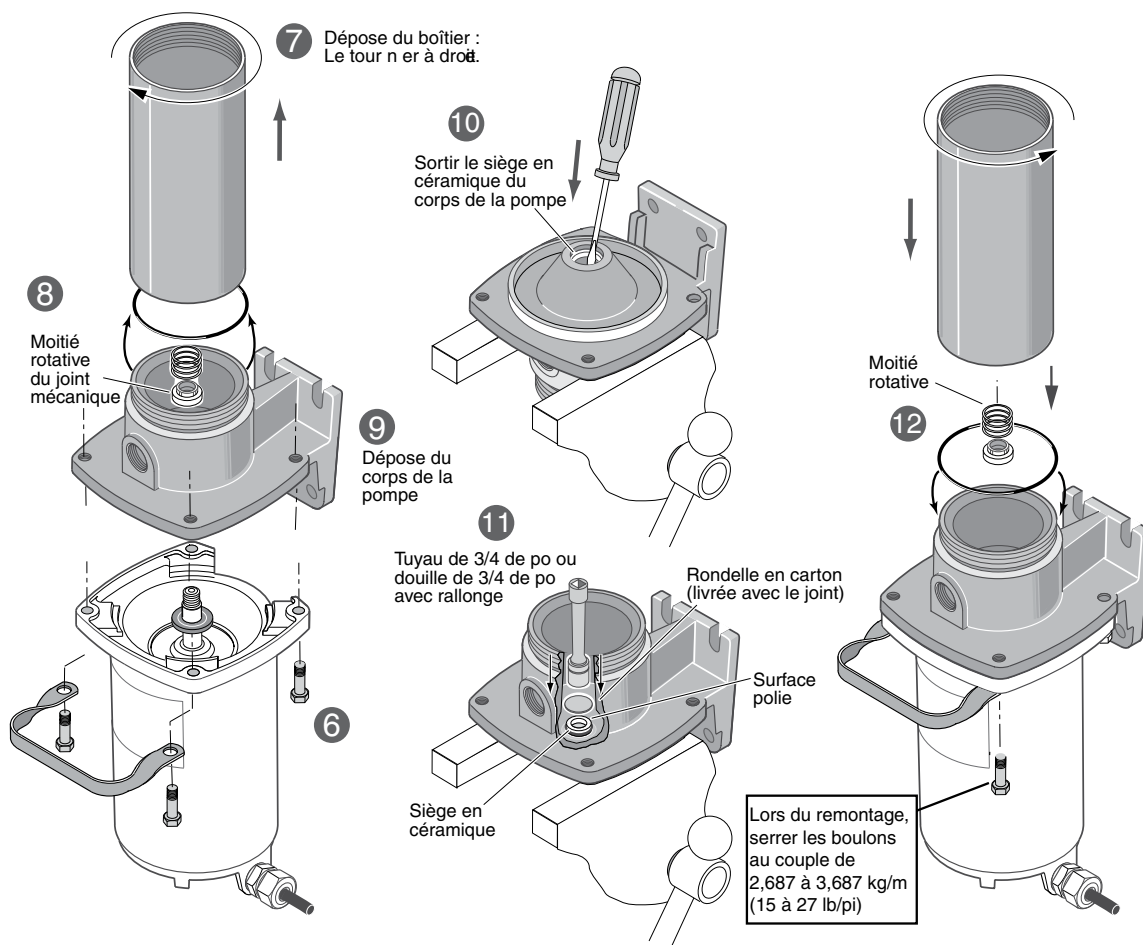
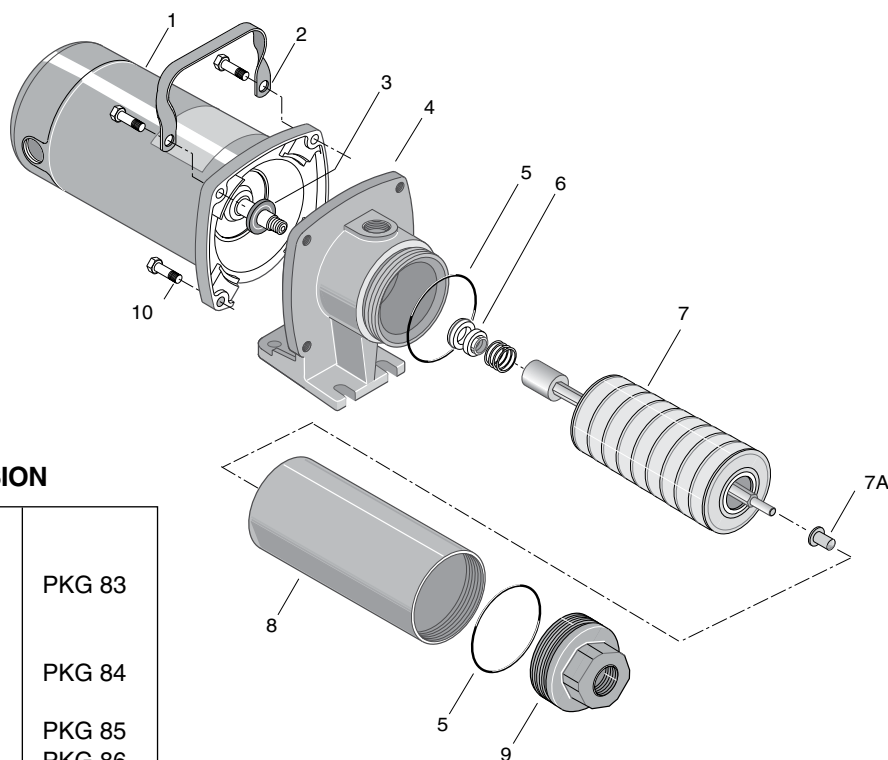


Figure 9 – Remplacement du joint mécanique.



**LES ACCESSOIRES SUIVANTS  
PEUVENT ÊTRE COMMANDÉS  
POUR LES POMPES DE SURPRESSION**

Tuyau souple de 6 pi-3/4 de po avec extrémités femelles (pression nominale de 150 lb/po <sup>2</sup> )	PKG 83
Tuyau souple de 25 pi-3/4 de po avec extrémités mâle et femelle (pression nominale de 150 lb/po <sup>2</sup> )	PKG 84
Adaptateur de 3/4 de po NPT x 3/4 de po tuyau souple	PKG 85
Buse haute pression	PKG 86
Reniflard	PKG 96

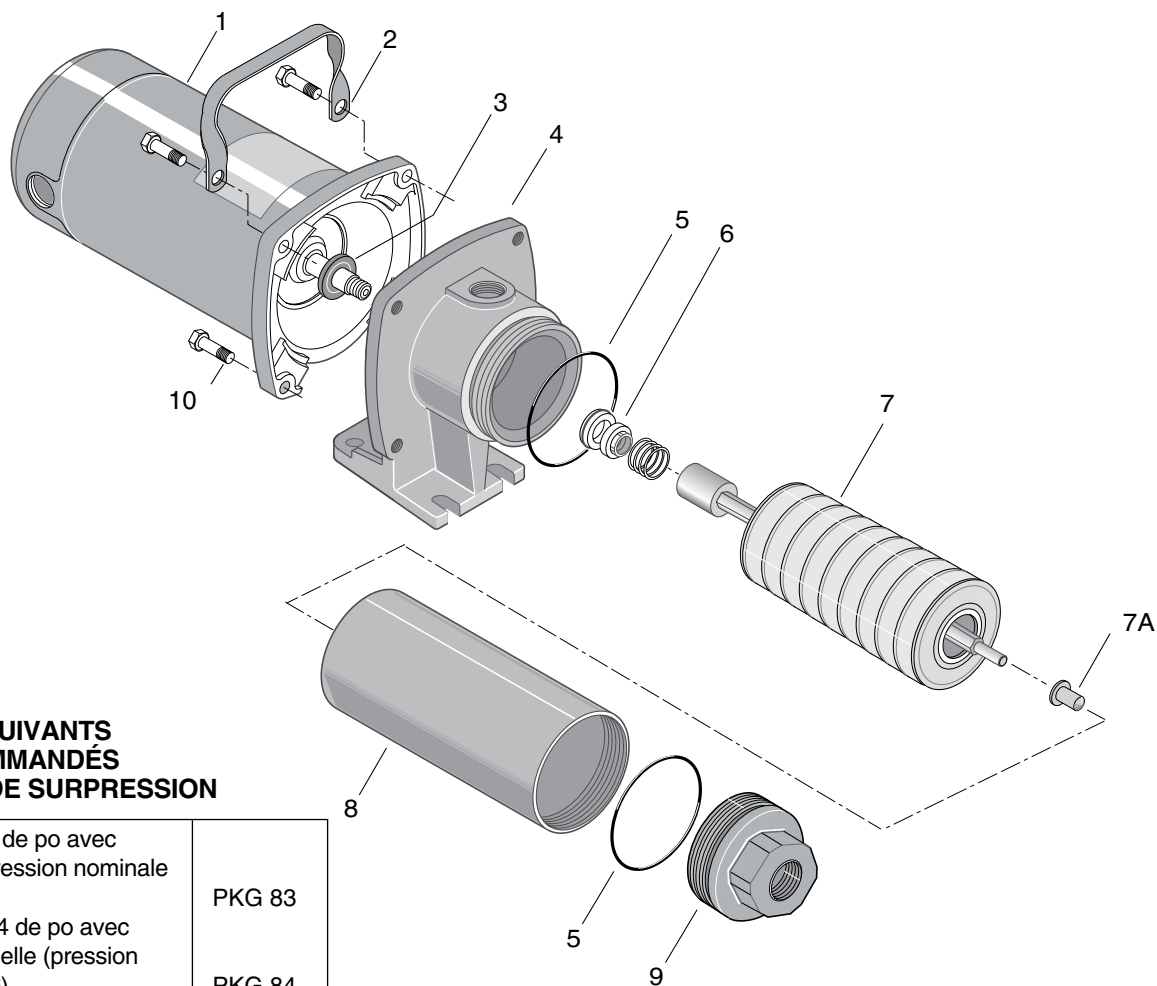
**LISTE DES PIÈCES DE RECHANGE**

Réf.	Désignation	Qté	7MPB50	7MPB75	7MPB100	10MPB150	10MPB200
			10MPB50	10MPB75	10MPB100	1-1/2 ch	2 ch
			1/2 ch	3/4 ch	1 ch		
1	Moteur monophasé de 115/230 volts	1	J218-590PKG	J218-596PKG	J218-601PKG	J218-883APKG	J218-628APKG
2	Poignée (†)	1	C54-21	C54-21	C54-21	–	–
3	Défecteur d'eau	1	17351-0009	17351-0009	17351-0009	17351-0009	17351-0009
4	Corps de la pompe	1	C2-85	C2-85	C2-85	C2-85	C2-85
5	Joint torique	2	U9-430	U9-430	U9-430	U9-430	U9-430
6	Joint de l'arbre	1	U109-118	U109-118	U109-118	U109-118	U109-118
7	Séries de roues de pompe (26 L/min – 7 gal/min)	1	P325-422	P325-423	P325-424	–	–
7	Séries de roues de pompe (38 L/min – 10 gal/min)	1	P325-425	P325-426	P325-439	P325-428	P325-429
7A	Palier en Nylatron (livré avec la Réf. 9)	1	W31112	W31112	W31112	W31112	W31112
8	Boîtier de la pompe (26 L/min – 7 gal/min)	1	P56-430SSL	P56-431SSL	P56-432SSL	–	–
8	Boîtier de la pompe (38 L/min – 10 gal/min)	1	P56-460SSL	P56-461SSL	P56-469SSL	P56-452SSL	P56-432SSL
9	Refoulement	1	C152-3	C152-3	C152-3	C152-3	C152-4
10	Vis d'assemblage de 3/8 x 16 x 1 1/2 po	4	U30-982ZP	U30-982ZP	U30-982ZP	U30-982ZP	U30-982ZP
#	Connecteur de cordon électrique**	1	U71-7	U71-7	–	–	–
#	Cordon électrique**	1	U17-402	U17-1238	–	–	–

# Pièces pas illustrées.

\*\* Inclus avec les numéros de modèle 7MPB50 et 7MPB75

† La poignée est livrée avec les séries 7MPB et 10MPB.



**LES ACCESSOIRES SUIVANTS  
PEUVENT ÊTRE COMMANDÉS  
POUR LES POMPES DE SURPRESSION**

Tuyau souple de 6 pi-3/4 de po avec extrémités femelles (pression nominale de 150 lb/po <sup>2</sup> )	PKG 83
Tuyau souple de 25 pi-3/4 de po avec extrémités mâle et femelle (pression nominale de 150 lb/po <sup>2</sup> )	PKG 84
Adaptateur de 3/4 de po NPT x 3/4 de po tuyau souple	PKG 85
Buse haute pression	PKG 86
Reniflard	PKG 96

1206 0605 NCBSW/NB

**LISTE DES PIÈCES DE RECHANGE**

Réf.	Désignation	Qté	20MPB100 1 ch	20MPB150 1-1/2 ch	20MPB200 2 ch
1	Moteur monophasé de 115/230 volts	1	J218-601PKG	218-883APKG	J218-628APKG
2	Poignée	1	C54-21	C54-21	C54-21
3	Défecteur d'eau	1	17351-0009	17351-0009	17351-0009
4	Corps de la pompe	1	C2-85A	C2-85A	C2-85A
5	Joint torique	2	U9-430	U9-430	U9-430
6	Joint de l'arbre	1	U109-118	U109-118	U109-118
7	Séries de roues de pompe	1	P325-602R	P325-431R	P325-432R
7A	Palier en Nylatron (livré avec la Réf. 9)	1	W31112	W31112	W31112
8	Boîtier de la pompe	1	P56-433SSL	P56-434SSL	P56-452SSL
9	Refoulement	1	C152-3A	C152-3A	C152-3A
10B	Vis d'assemblage de 3/8 x 16 x 1 1/2 po	4	U30-982ZP	U30-982ZP	U30-982ZP

## Garantie limitée

F.E. MYERS garantit au consommateur initial (ci-après appelé l'« Acheteur ») que les produits énumérés dans les présentes sont exempts de défaut de matériau et de fabrication pendant la durée de la garantie à compter de la durée des garanties indiquées ci-dessous.

Produits	Durée des garanties
Pompes à éjecteur, petites pompes centrifuges, pompes submersibles et tous les accessoires connexes	Selon le premier terme atteint : 12 mois à compter de la date de la première installation ou 18 mois à compter de la date de fabrication
Réservoirs en fibre de verre	5 ans à compter de la date de la première installation
Réservoirs sous pression en acier	5 ans à compter de la date de la première installation
Produits de puisard/d'égout/d'effluents	12 mois à compter de la date de la première installation ou 24 mois à compter de la date de fabrication

Nos garanties ne s'appliquent pas aux produits ayant fait l'objet de négligence, d'une mauvaise utilisation, d'une mauvaise installation ou d'un manque d'entretien adéquat. Sans aucune limitation des présentes, la garantie des moteurs triphasés submersibles sera nulle et non avenue si ces moteurs sont branchés et fonctionnent sur le courant monophasé par l'intermédiaire d'un déphaseur. Il faut également noter que les moteurs triphasés doivent être protégés par un relais de surcharge tripolaire thermocompensé à déclenchement extrêmement rapide du calibre recommandé, sinon la garantie sera nulle et non avenue.

Le seul recours de l'Acheteur et la seule responsabilité de F.E. MYERS consistent à réparer ou à remplacer (au choix de F.E. MYERS) les produits qui se révéleraient défectueux. L'Acheteur s'engage à payer tous les frais de main d'œuvre et d'expédition du produit couvert par sa garantie et de s'adresser au concessionnaire-installateur ayant procédé à l'installation dès qu'un problème est découvert pour obtenir un service sous garantie. Aucune demande de service en vertu de sa garantie ne sera acceptée après expiration de la durée de sa garantie. Ces garanties ne sont pas transférables.

F.E. MYERS DÉCLINE TOUTE RESPONSABILITÉ POUR TOUT DOMMAGE INDIRECT OU FORTUIT QUEL QU'IL SOIT.

LA GARANTIE LIMITÉE SUSMENTIONNÉE EST EXCLUSIVE ET REMPLACE TOUTES LES AUTRES GARANTIES EXPRESSES ET TACITES, Y COMPRIS, MAIS SANS S'Y LIMITER, LES GARANTIES DE QUALITÉ MARCHANDE ET D'ADAPTATION À UN USAGE PARTICULIER. LA GARANTIE LIMITÉE SUSMENTIONNÉE NE DOIT PAS ÊTRE PROLONGÉE AU-DELÀ DE LA DURÉE PRÉVUE AUX PRÉSENTES.

Certains états, territoires et certaines provinces ne permettent pas l'exclusion ou la limitation des dommages indirects ou fortuits, ni les limitations relatives à la durée des garanties tacites. Par conséquent, il se peut que les limitations ou les exclusions stipulées dans les présentes ne s'appliquent pas dans ce cas. Ces garanties accordent des droits juridiques précis, bien que l'on puisse bénéficier d'autres droits, selon la province, le territoire ou l'état dans lequel on réside.

La présente garantie limitée est entrée en vigueur le 1er juin 2011 et remplace toute garantie non datée ou antérieure à cette date.

### F.E. MYERS

293 Wright Street, Delavan, WI 53115

Tél. : 888-987-8677 • Téléc. : 800-426-9446 • [www.femyers.com](http://www.femyers.com)

Au Canada : P. O. Box 9138, 269 Trillium Dr., Kitchener, Ontario N2G 4W5

Tél.: 519-748-5470 • Téléc.: 888-606-5484

**This page intentionally left blank**





**MYERS®**

## Instalaciones monofásicas

### Archivo del propietario

Modelo de la bomba: \_\_\_\_\_

No. de serie de la bomba: \_\_\_\_\_

Clave de fecha de la bomba: \_\_\_\_\_

H.P. del motor \_\_\_\_\_ Tensión \_\_\_\_\_ Fase \_\_\_\_\_

Fecha de instalación: \_\_\_\_\_

Propietario: \_\_\_\_\_

Instalador: \_\_\_\_\_

Número de teléfono del instalador: \_\_\_\_\_



**⚠ PELIGRO**

**⚠ ADVERTENCIA**

**⚠ PRECAUCIÓN**

## SEGURIDAD ASOCIADA CON LA ELECTRICIDAD

### ⚠ ADVERTENCIA



**Tensión peligrosa.** Puede provocar choque eléctrico, quemaduras o muerte.

Conecte la bomba a tierra antes de conectarla a una fuente de suministro de energía eléctrica.

**⚠** Ciertos modelos de bombas vienen equipados con un cordón eléctrico de tipo puesta a tierra con 3 conectores. Conecte solamente a un tomacorriente debidamente puesto a tierra y protegido por un disyuntor de escape a tierra (“GFCI”). No levante la bomba por medio del cordón eléctrico.

**⚠** La bomba no es sumergible. Mantenga el motor seco en todo momento. No lave el motor. No lo sumerja. Proteja el motor del clima húmedo.

**⚠** Si usa un cordón de alargue, use solamente cordones eléctricos trifilares con puesta a tierra aprobados por UL. No permita que ninguna parte del cordón quede en el agua o en un lugar mojado.

**⚠** Desconecte la corriente eléctrica a la bomba antes de realizar trabajos de reparación o de mantenimiento.

**⚠ PRECAUCIÓN** Peligro de quemadura. No toque un motor en funcionamiento. Los motores modernos pueden funcionar a altas temperaturas. Para evitar quemaduras cuando realice trabajos de reparación o de mantenimiento en la bomba, permita que se enfríe durante 20 minutos después de haberla apagado y antes de manipularla.

Respete las normas de plomería locales y/o nacionales al hacer la instalación.

**⚠ ADVERTENCIA** Presión peligrosa - NO deje marchar la bomba con la descarga cerrada ya que la manguera puede explotar o la bomba se puede dañar debido a las altas temperaturas.

### Advertencia de la Proposición 65 de California

**⚠ ADVERTENCIA** Este producto y accesorios relacionados contienen sustancias químicas reconocidas en el Estado de California como causantes de cáncer, malformaciones congénitas y otros daños al sistema reproductivo.

## ¡LEA Y SIGA LAS INSTRUCCIONES DE SEGURIDAD!

Este es el símbolo de alerta de seguridad. Cuando usted vea este símbolo en su bomba o en este manual, busque alguna de las siguientes palabras de advertencia y esté alerta a la posibilidad de lesiones personales.

**⚠ PELIGRO** advierte acerca de los peligros que **provocarán** lesiones personales graves, muerte o daños materiales considerables si se ignoran.

**⚠ ADVERTENCIA** advierte acerca de los peligros que **pueden provocar** lesiones personales graves, muerte o daños materiales considerables si se ignoran.

**⚠ PRECAUCIÓN** advierte acerca de los peligros que **provocará o podrán provocar** lesiones personales o daños materiales menores si se ignoran.

La etiqueta **AVISO** indica instrucciones especiales que son importantes pero que no están relacionadas con los peligros.

## SEGURIDAD EN GENERAL

Para evitar el peligro de lesiones personales graves y daños materiales, lea atentamente las instrucciones de seguridad antes de instalar esta bomba.

No permita que la bomba ni ningún componente del sistema se congelen, ya que ello puede perjudicar al sistema y anulará la garantía.

**⚠ ADVERTENCIA** Peligro de choque eléctrico. Para evitar choques fatales, proceda de la manera siguiente si la bomba requiere servicio:

- Desconecte la corriente eléctrica a la bomba antes de realizar trabajos de reparación o de mantenimiento.** Después de haber desconectado la corriente, deje que la bomba se enfríe por 20 minutos antes de tratar de trabajar en la misma.
- Actúe con mucha cautela cuando cambie los fusibles.** Para reducir la posibilidad de choques eléctricos fatales, **NO** se pare en el agua ni ponga los dedos en el portafusibles.
- Conecte la caja de salida eléctrica a tierra.**
- Use solamente un tomacorriente conectado a tierra y protegido por un disyuntor de escape a tierra (“GFCI”)** para enchufar el cordón eléctrico.

**Nunca permita que la bomba marche en seco.** Si la bomba marcha en seco, se pueden perjudicar las piezas internas, la bomba se puede recalentar (lo que provocará quemaduras a las personas que estén manipulando o trabajando con la bomba), y la garantía quedará anulada.

No bombee sustancias químicas ni líquidos corrosivos con la bomba.

**⚠ ADVERTENCIA** Presión peligrosa.

- Use SOLAMENTE mangueras de descarga reforzadas para presiones altas.** Consulte la lista de repuestos para obtener información sobre las mangueras, toberas y accesorios disponibles. Se recomienda usar una válvula de desahogo de presión alta.
- NO use una manguera de jardín con una bomba de refuerzo de alta presión.** La manguera de jardín no podrá soportar la presión de descarga que se produce y fallará.
- El chorro de descarga de alta presión es peligroso.** Para evitar lesiones, **NO apunte el chorro de descarga hacia personas ni animales.**
- VERIFIQUE que la presión de la tubería de aspiración de la bomba, más la presión de descarga de la bomba no sobrepasen la clasificación nominal de presión de la manguera y de sus accesorios.** Consulte el Cuadro I para obtener las clasificaciones nominales de la presión de descarga de la bomba.

## INSPECCIÓN DEL PRODUCTO

La bomba de refuerzo de alta presión ha sido cuidadosamente inspeccionada y empaçada para garantizar su entrega segura. Inspeccione la bomba y los accesorios y reporte todo artículo averiado o faltante a la empresa de transporte.

### CUADRO I - PRESIÓN DE DESCARGA

GPM	HP	No. de etapas	Presi3n de descarga - psi al caudal nominal	Presi3n de descarga - psi sin caudal
7	1/2	9	90	130
7	3/4	12	123	173
7	1	16	162	229
10	1/2	6	74	113
10	3/4	8	97	147
10	1	10	134	188
10	1-1/2	14	173	206
10	2	16	197	260
20	1	7	75	110
20	1-1/2	9	97	143
20	2	11	123	175

\* Para la presi3n total de descarga, agregue esta presi3n a la presi3n de la tubería de aspiraci3n. Por ejemplo, una bomba 7MPB50 con una aspiraci3n desde una lnea de servicio de agua de 100 psi (libras por pulgada cuadrada), producirá 130 + 100 = 230 psi de presi3n de descarga total a un caudal de 0 GPM. Si la presi3n de aspiraci3n desciende a 50 psi, la presi3n de descarga descenderá a 180 psi.

## INSTALACI3N

La bomba ha sido diseñada para reforzar la presi3n de las aguas p3blicas o la presi3n del agua desde un sistema de agua privado. Utilice esta corriente de agua de alta presi3n para lavar lecherías, establos, garajes y entradas, o para la prevenci3n de incendios.

La bomba es portátil con un práctico mango para llevarla. Si se usará un sistema de agua de presi3n ya existente como fuente de suministro de agua, se podrá conectar con los accesorios disponibles y una manguera de alta presi3n de 3/4" (1.90 cm.) de 1" (2.54 cm.) a la admisi3n de la bomba. Se encuentra disponible una manguera especial de aspiraci3n de gran resistencia 3/4" (1.90 cm.) de 1" (2.54 cm.) como accesorio. Si la bomba se ha instalado permanentemente sobre un muro, use un tubo o una manguera de gran resistencia de 3/4" (1.90 cm.) de 1" (2.54 cm.) para la lnea de aspiraci3n. Los modelos de 20 GPM requieren una manguera de descarga de una pulgada para reducir p3rdidas de fricci3n.

**ADVERTENCIA** Presi3n peligrosa. La unidad de la bomba puede explotar si las presi3nes sobrepasan los límites nominales. La máxima presi3n de admisi3n es de 80 psi. La máxima presi3n de descarga es de 315 psi. La garantía quedará invalidada si se sobrepasan estos límites de presi3n.

### BOMBA DE REFUERZO DE ALTA PRESI3N INSTRUCCIONES DE INSTALACI3N

Estas instrucciones cubren instalaciones de la bomba de refuerzo de alta presi3n según se indica a continuaci3n:

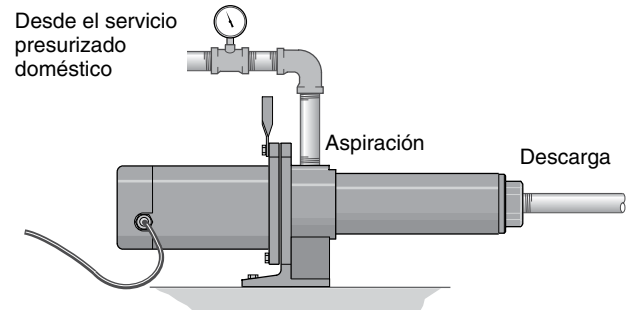


Figura 1 – Conexi3n al servicio doméstico.

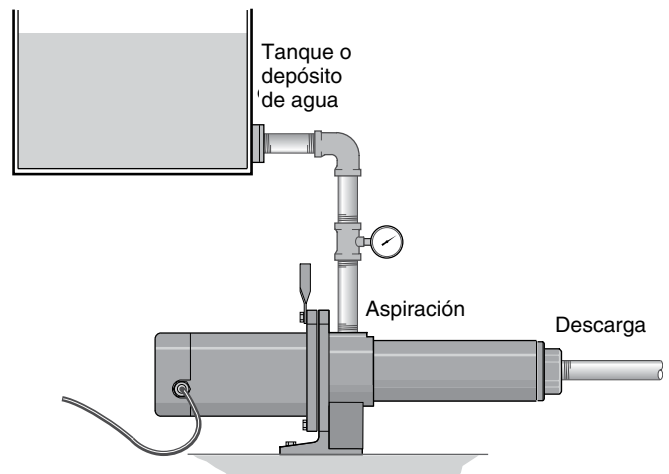
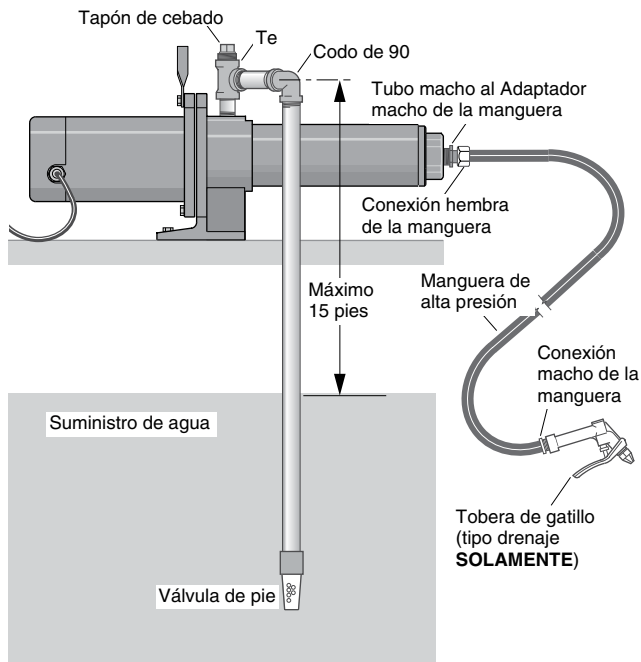
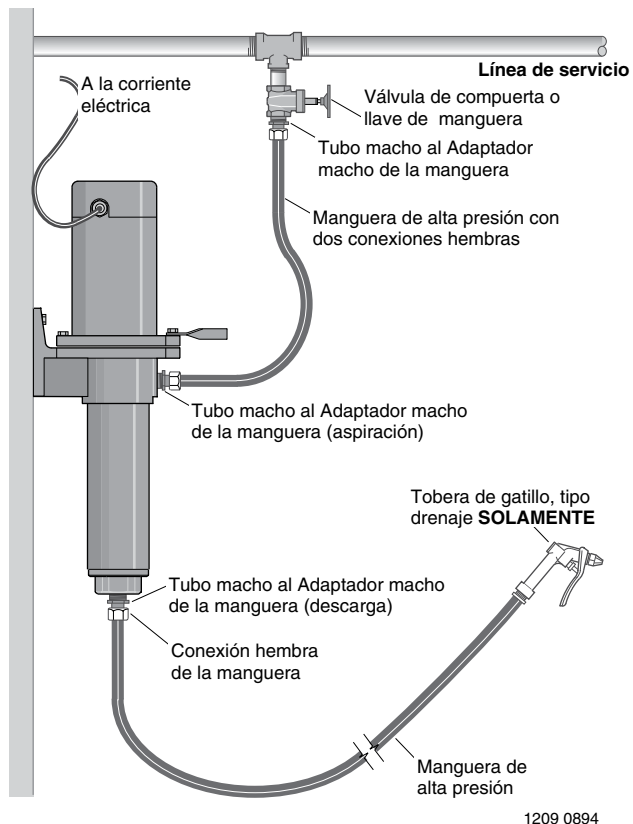


Figura 2 – conexi3n al depósito de agua.



**Figura 3 – Instalación en cisterna o en pozo poco profundo.**



**Figura 4 – Instalación sobre el muro a la línea de servicio presurizado.**

Para reducir las pérdidas de fricción al mínimo posible, la línea de admisión (aspiración) debe ser **corta** y debe tener la menor cantidad de codos posible.

Escoja el tamaño de la admisión según el cuadro que aparece a continuación.

GPM promedio	Tamaño de la admisión roscada	Tamaño de la línea de admisión recomendado	Tamaño de la línea de descarga recomendado
7	3/4" NPT	1"	1"
10	3/4" NPT	1"	1"
20	1" NPT	1-1/4"	1-1/4"

Un tamiz de admisión impedirá que los residuos suspendidos en el agua obstruyan la bomba.

Las superficies internas de flujo de la bomba y sus juntas necesitan de lubricación de agua para mantener un funcionamiento uniforme y bueno. **Si se permite que la bomba marche en seco, tanto la bomba como las juntas se podrán perjudicar considerablemente.**

Instale un manómetro en la línea de admisión de la bomba. Mantenga una presión mínima de dos libras por pulgada cuadrada (2 PSI) en la línea de admisión siempre que la bomba esté funcionando. Si no es posible, consulte al representante de atención al cliente.

## LUBRICACIÓN

La bomba y el motor no necesitan lubricación. El motor viene equipado con cojinetes a bolas sellados, lubricados por la vida del cojinete. El sello del eje mecánico en la bomba es auto-lubricante y no requiere ajustes. Desarme la bomba para reemplazar la junta (Consulte la sección de "Mantenimiento" en las páginas 38 a 40).

## OPERACIÓN

**AVISO:** Tome las siguientes precauciones cuando opere la bomba:

1. **¡Mantenga el motor seco! No** dirija la corriente desde la descarga de la bomba hacia el motor.
2. **ADVERTENCIA Presión peligrosa.** No permita que la bomba marche con la descarga cerrada, ya que la manguera puede explotar o la bomba se puede dañar debido a las altas temperaturas.
3. **No** use una pistola a gatillo estándar con esta bomba. Use solamente pistolas a gatillo con una opción de descarga automática. Estas están disponibles como accesorios y vienen con tres toberas. La tobera más pequeña limita el flujo, permitiendo el uso de una fuente de agua más pequeña. Las dos toberas más grandes se usan si la fuente de agua puede suministrar toda la capacidad de la bomba.
4. **No** permita que la bomba marche en seco ya que podrá dañar la junta de estanqueidad.
5. Para evitar daños internos en la bomba, no la haga funcionar con agua a temperaturas superiores a los 175 grados F.



**Desconecte la corriente eléctrica antes de trabajar en la bomba, el motor, el manóstatato o los cables.**

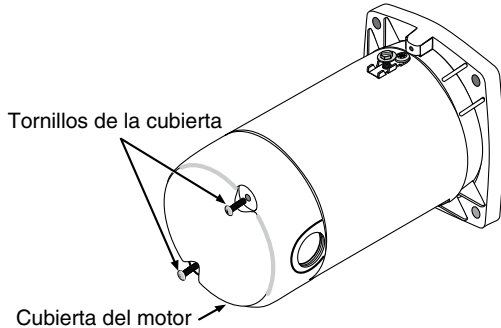
## CONFIGURACIONES DEL INTERRUPTOR DEL MOTOR

Los motores de dos tensiones (motores que pueden operar tanto a 115 como a 230 voltios) vienen configurados de fábrica a 230 voltios. No cambie la configuración de tensión del motor si la línea de tensión es de 230 voltios o si usted tiene un motor de una sola tensión.\*

**NOTA:** Nunca conecte un motor de 115 voltios a una línea de 230 voltios.

### SAQUE LA TAPA DEL MOTOR

Si usted tiene un motor de dos tensiones y lo conectará a una línea de 115 voltios, siga el procedimiento indicado a continuación.

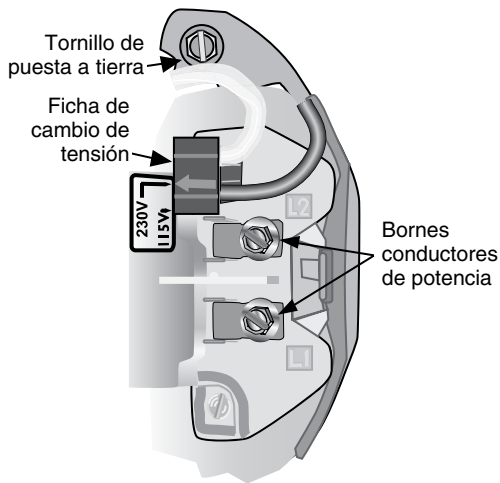


**Figura 5 – Remoción de la cubierta del motor.**

Deberá sacar la cubierta del motor para cambiar la configuración de tensión.

El tablero de bornes de su motor (ubicado debajo de la cubierta del motor) deberá ser similar a unos de los indicados a continuación.

### SELECTOR DE TENSIÓN TIPO FICHA



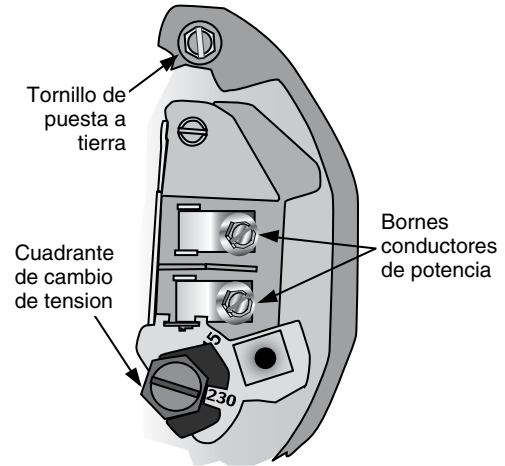
**Figura 6 – Configuración de tensión a 230 voltios, tipo ficha.**

Para cambiar el motor a 115 Voltios:

1. Verifique que la corriente eléctrica esté desconectada.
2. Jale de la ficha hacia arriba.
3. Mueva y conecte la ficha en la posición de 115 voltios. La ficha ahora cubrirá las 2 lengüetas metálicas. La flecha en la ficha apuntará a 115 V.
4. Conecte los cables conductores de potencia a los bornes conductores de potencia. Verifique que los cables estén bien fijados.
5. Conecte el cable de puesta a tierra al tornillo verde de puesta tierra.

6. Vuelva a colocar la cubierta del motor. Pase a la sección de Conexiones de Cableado a continuación.

### SELECTOR DE TENSIÓN TIPO CUADRANTE



**Figura 7 – Configuración de tensión a 230 voltios, tipo cuadrante.**

Para cambiar a 115 Voltios:

1. Verifique que la corriente eléctrica esté desconectada.
2. Gire el cuadrante hacia la izquierda (en dirección contraria a las agujas del reloj) hasta que la ventana del cuadrante indique 115.
3. Conecte los cables conductores de potencia a los bornes conductores de potencia. Verifique que los cables estén bien fijados.
4. Conecte el cable de puesta a tierra al tornillo verde de puesta tierra.
5. Vuelva a colocar la cubierta del motor. Pase a la sección de Conexiones de Cableado a continuación.

### INFORMACIÓN ELÉCTRICA

- Conecte el motor a tierra antes de conectarlo al suministro de corriente eléctrica.**
- Si no se conecta el motor a tierra, existe el peligro de choques eléctricos graves o fatales.**
- Peligro de explosión. No haga la conexión a tierra a través de la línea de suministro de gas.**
- Para evitar choques eléctricos peligrosos o fatales, APAGUE la corriente al motor antes de trabajar en las conexiones eléctricas.**
- La tensión de suministro debe estar dentro de  $\pm 10\%$  de la tensión indicada en la placa de fábrica. Una tensión incorrecta puede provocar incendio o daños considerables al motor e invalidará la garantía. En caso de duda, consulte a un electricista certificado.**
- Use cables del tamaño especificado en el Cuadro de Cables (Cuadro II, página 6). De ser posible, conecte la bomba a un ramal separado sin otros artefactos conectados al mismo.**
- El motor se debe cablear según el diagrama indicado en la placa de fábrica del motor. Si ese diagrama difiere del diagrama indicado arriba, siga las instrucciones del diagrama en la placa de fábrica.**

\* Los modelos con cordones eléctricos vienen cableados para 115 voltios. Esto incluye los modelos 7MPB50 y 7MPB75.

## CONEXIONES DE CABLES

1. Instale, conecte a tierra, conecte los cables y mantenga esta bomba conforme al National Electrical Code (NEC) o al Canadian Electrical Code (CEC) y a los códigos y reglamentos que correspondan. Consulte a su inspector local de la construcción para obtener información local.
2. Verifique que la tensión, la frecuencia, la fase (monofásico) del suministro de corriente eléctrica correspondan con lo que se indica en la placa de fábrica del motor. En caso de duda, consulte a la empresa de suministro de energía.
3. Algunos modelos vienen equipados con motores trifásicos. Los motores trifásicos requieren arranques magnéticos y pueden marchar en cualquiera de las dos direcciones, según como se hayan conectado a la fuente de suministro de energía eléctrica.

**AVISO:** Los motores inalámbricos de dos tensiones vienen cableados de fábrica para 230 voltios. De ser necesario, vuelva a conectar el motor para 115 voltios (consulte la página 6). No altere los cables en los motores de una sola tensión.

Instale, conecte a tierra, conecte los cables y mantenga esta bomba conforme al National Electrical Code (NEC) o al Canadian Electrical Code (CEC) y a los códigos y reglamentos que correspondan. Consulte a su inspector local de la construcción para obtener información sobre los códigos.

**AVISO:** Fije el cable eléctrico para evitar ejercer presión sobre los bornes de fijación.

**AVISO:** El Tablero de Bornes del Motor (debajo de la cubierta del motor) es similar a uno de los que se ilustran arriba. No cambie los cables del motor si la tensión de línea es de 230 voltios. Conecte el suministro de corriente eléctrica según se indica para su tensión de suministro.

**AVISO:** Algunos modelos vienen equipados con motores trifásicos. Los motores trifásicos requieren arranques magnéticos y pueden marchar en cualquiera de las dos direcciones, según como se hayan conectado a la fuente de suministro de energía eléctrica.

## CONEXIÓN DEL MOTOR A TIERRA

Conecte la bomba permanentemente usando un cable del tamaño y del tipo especificados por el National Electrical Code (NEC) o por el código local.

**Modelos 7MPB50-01 Y 7MPB75-01 solamente con cordón y enchufe instalados de fábrica.**

**▲ ADVERTENCIA** **Riesgo de choque eléctrico.** Este aparato se debe usar solamente en 115V y viene equipado con un cordón aprobado de 3 conductores y un enchufe con puesta a tierra de 3 clavijas. Para reducir el riesgo de choque eléctrico, verifique que esté conectado a un receptáculo de tipo puesta a tierra debidamente conectado a tierra. No modifique ni saque el enchufe. Verifique que el circuito de la bomba cumpla con las normas del "National Electrical Code" (NEC). Para evitar choques eléctricos peligrosos, mantenga el cordón seco en todo momento.

## CUADRO II - FUSIBLES Y CABLES RECOMENDADOS

Motor HP	Voltios/ Fase	Máxima carga en amperios	Clasificación del fusible del ramal en amperios	Largo del cable			
				0'-50'	51-100'	101-200'	201-300'
				Tamaño del cable AWG			
1/2	115/230/1	12.4/ 6.2	20/15	12/14	12/14	10/14	8/14
3/4	115/230/1	14.8/7.4	20/15	12/14	12/14	8/14	6/14
1	115/230/1	19.2/9.6	25/15	10/14	10/14	8/14	6/12
1-1/2	115/230/1	24/12	30/15	10/14	10/14	6/12	6/12
1-1/2	230/1	12.0	15	14	14	14	12
2	115/230/1	26/13	35/20	8/12	8/12	6/12	4/10
2	230/1	10.4	15	14	14	14	14

# MANTENIMIENTO

## Desensamblaje de la bomba

**⚠ ADVERTENCIA Tensión peligrosa.** Puede provocar choque eléctrico, quemaduras o muerte. Desconecte la corriente eléctrica a la bomba antes de realizar trabajos de mantenimiento o de reparación.

Herramientas requeridas:

1. Llave abierta de 7/16" (se requieren 2).
2. Destornillador de hoja plana con mango aislado.
3. Banco de trabajo con tornillo de banco recomendado.
4. Alicates o herramientas similares.
5. Llave de tubo.

## Cambio del conducto vertical del impulsor (Consulte la Figura 8)

Retire la bomba del servicio y colóquela verticalmente sobre el tornillo de banco (si hay uno disponible) con el motor boca abajo. Sostenga el centro del motor. Es posible que prefiera envolver el motor con un paño del taller para proteger las superficies exteriores.

Proceda de la siguiente manera:

1. Fije la llave de tubo en los filamentos de la conexión de descarga y gire hacia la derecha para sacarla (roscas hacia la izquierda).
2. Saque los tornillos que sostienen el techo del motor y saque el techo del motor. Jale hacia afuera según se ilustra.

**⚠ ADVERTENCIA La tensión del capacitor puede ser peligrosa.** Para descargar el capacitor, sostenga el

destornillador de mango aislado **por el mango** y haga un corto circuito entre los bornes del capacitor. No toque la hoja metálica del destornillador ni los bornes del capacitor.

3. Destornille el dispositivo de protección contra sobrecarga y colóquelo a un lado. No desconecte los cables. Deslice la llave abierta de 7/16" por detrás del interruptor centrífugo a resorte según se ilustra. Colóquela sobre los files del eje del motor para mantener el eje inmóvil.
4. Con una llave de 7/16" en posición sobre el eje del motor, coloque la segunda llave en el hexagonal del eje en el extremo de la bomba y destornille el conducto vertical del impulsor haciéndolo girar hacia la izquierda.
5. Una vez que se haya aflojado del eje del motor, sostenga el eje por medio del aro a presión, usando alicates o una herramienta similar y saque el conducto de la envoltura. Es posible que deba aplicar un movimiento hacia adelante y hacia atrás para aflojar el conducto vertical de la envoltura.

Para ensamblar con el conducto vertical de repuesto del impulsor, mantenga la bomba en posición vertical con el motor hacia abajo e invierta las instrucciones 1 a 5.

Sugerencias para el ensamblaje:

- A. Aplique una solución de agua jabonosa en los aros tóricos de aspiración y de descarga para facilitar el posicionamiento de la envoltura.
- B. Verifique que el resorte del sello mecánico del eje esté en la posición correcta en el eje del motor.
- C. En los modelos trifásicos, aplique Loctite No. 271 a las roscas del eje del motor antes de volver a instalar el conducto vertical.

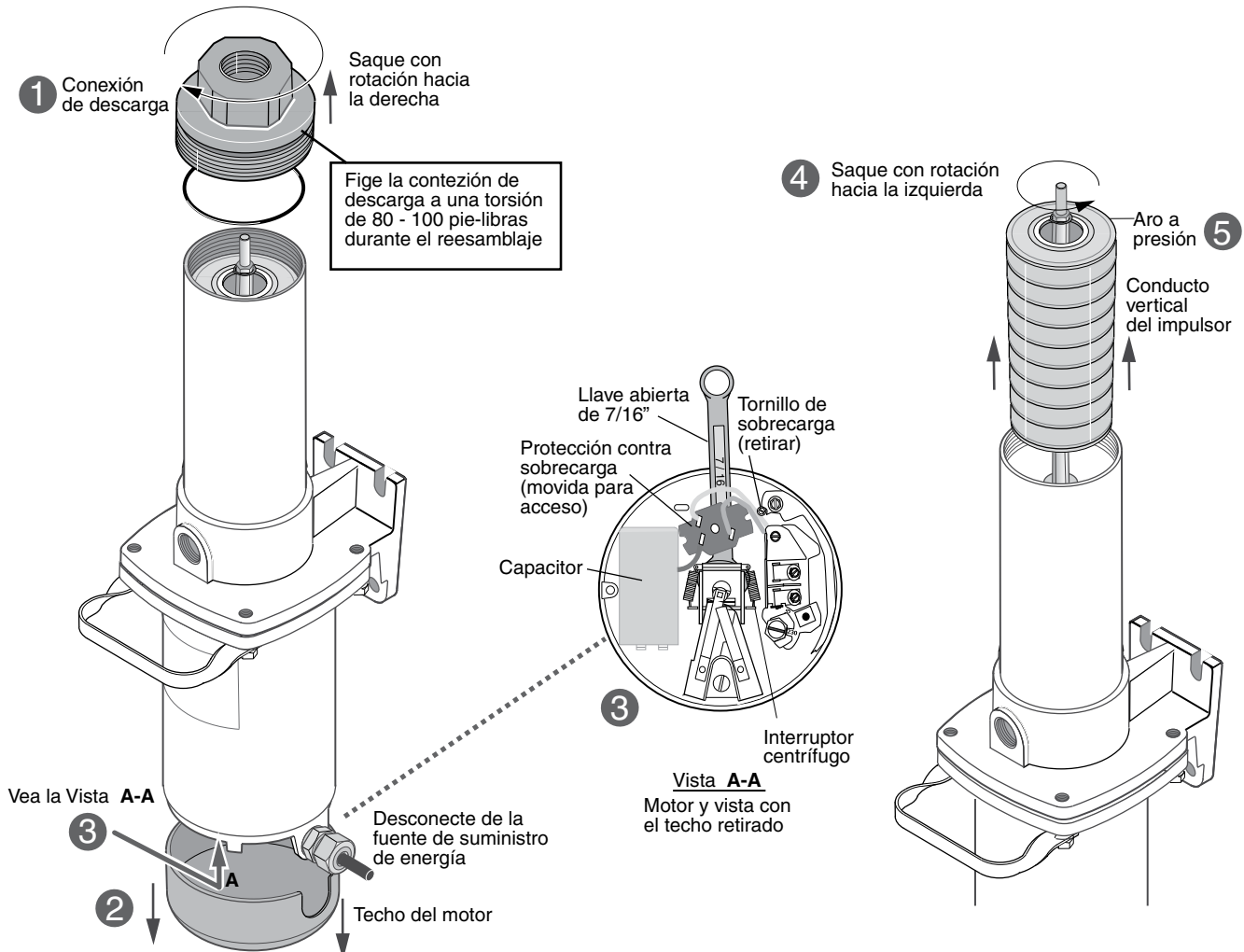


Figura 8 – Cambio del conducto vertical del impulsor.

1211 0894 FR



### Cambio del sello mecánico (Consulte las Figuras 8 y 9)

Este procedimiento se completa mejor con la bomba en posición vertical y el motor boca abajo.

Primero complete las instrucciones 1 a 5 de “Desensamblaje” en la sección de “Cambio del Conducto Vertical del Impulsor” (consulte la Figura 8).

6. Retire los 4 tornillos prisioneros que sostienen la unidad de la bomba al motor. El mango de la bomba se desprenderá con los tornillos prisioneros superiores.
7. Destornille la envoltura de la bomba de la unidad de la bomba girando hacia la derecha (roscas hacia la izquierda)
8. Saque el resorte del sello mecánico del eje y la mitad giratorio del eje del motor. Tenga cuidado de no rayar el eje del motor cuando retire la mitad giratoria.
9. Saque la unidad de la bomba del motor y colóquela sobre una superficie plana, boca abajo. Nuevamente, tenga cuidado de no rayar el eje del motor.
10. Use un destornillador para empujar el asiento de cerámica hacia afuera de la cavidad del sello según se ilustra.
11. Instalación del asiento de cerámica:
  - A. Invierta la unidad de la bomba de manera que la cavidad del sello quede hacia arriba; limpie bien la cavidad.
  - B. Limpie la superficie pulida del asiento de cerámica con un paño limpio.
  - C. Lubrique la superficie exterior de caucho del asiento con agua jabonosa. Coloque una arandela de cartón sobre la cara pulida del asiento y empujela dentro de la cavidad
12. Instalación de la mitad giratoria y del resorte:
  - A. Vuelva a instalar la unidad de la bomba en el motor con extrema cautela para no golpear la porción de cerámica del sello en el eje del motor. Vuelva a unir la unidad de la bomba con el motor usando los tornillos prisioneros. Asegúrese de volver a instalar el mango de la bomba en este momento.
  - B. Inspeccione el eje y verifique que esté limpio.
  - C. Limpie la cara de la mitad giratoria del sello con un paño limpio.
  - D. Lubrique el diámetro interior de la mitad giratoria con agua jabonosa y deslícela por el eje del motor (con la cara selladora primero).
  - E. Coloque el resorte sobre el eje del motor para que quede apoyado sobre la mitad giratoria.
13. Para completar el re-ensamblaje a esta altura, invierta las instrucciones del 1 al 5 de la sección “Cambio del conductor vertical del impulsor”.

**AVISO:** Lubrique los aros tóricos de aspiración y de descarga con agua jabonosa para facilitar su instalación en la envoltura.

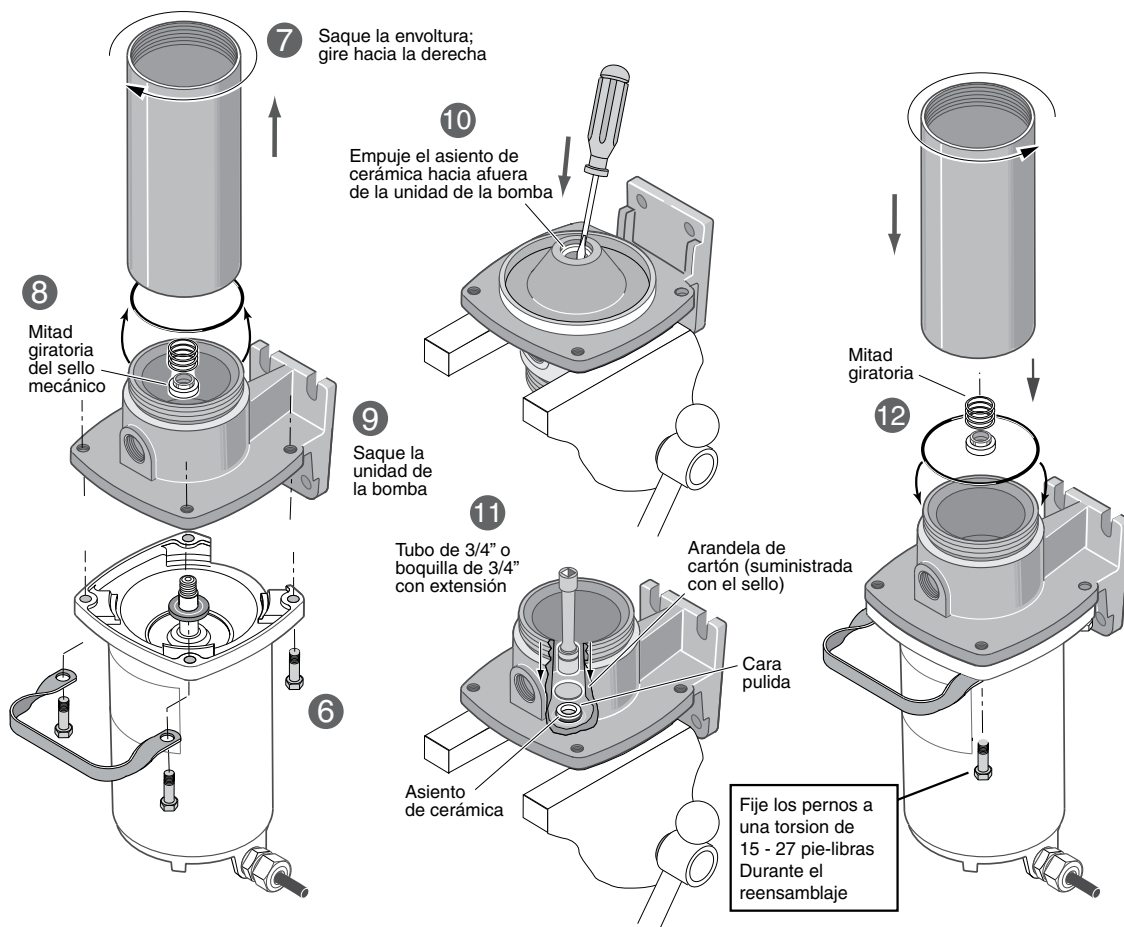
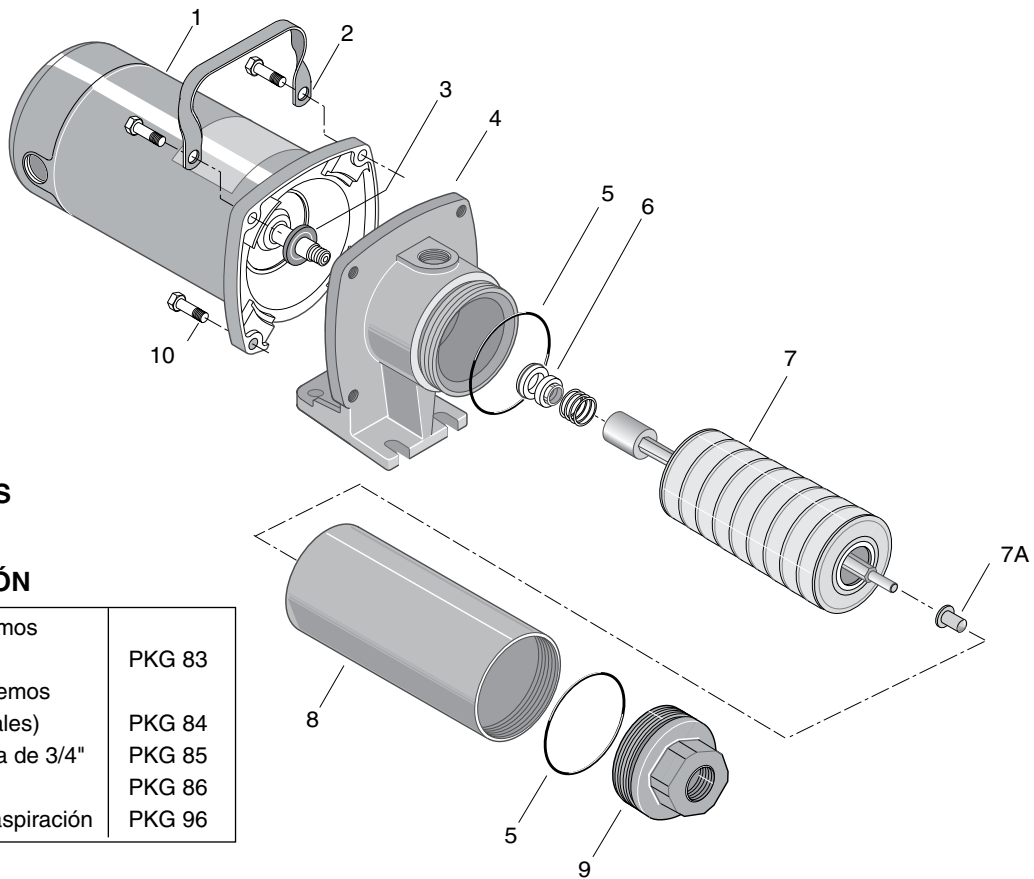


Figura 9 – Cambio del sello mecánico.





**SE PUEDEN ENCARGAR LOS SIGUIENTES ACCESORIOS PARA LAS BOMBAS DE REFUERZO DE ALTA PRESIÓN**

Manguera de 6 pies-3/4" con extremos hembra (150 psi nominales)	PKG 83
Manguera de 25 pies-3/4" con extremos macho y hembra (150 psi nominales)	PKG 84
Adaptador de 3/4" NPT x manguera de 3/4"	PKG 85
Tobera - Alta presión	PKG 86
Válvula de desahogo de vacío de aspiración	PKG 96

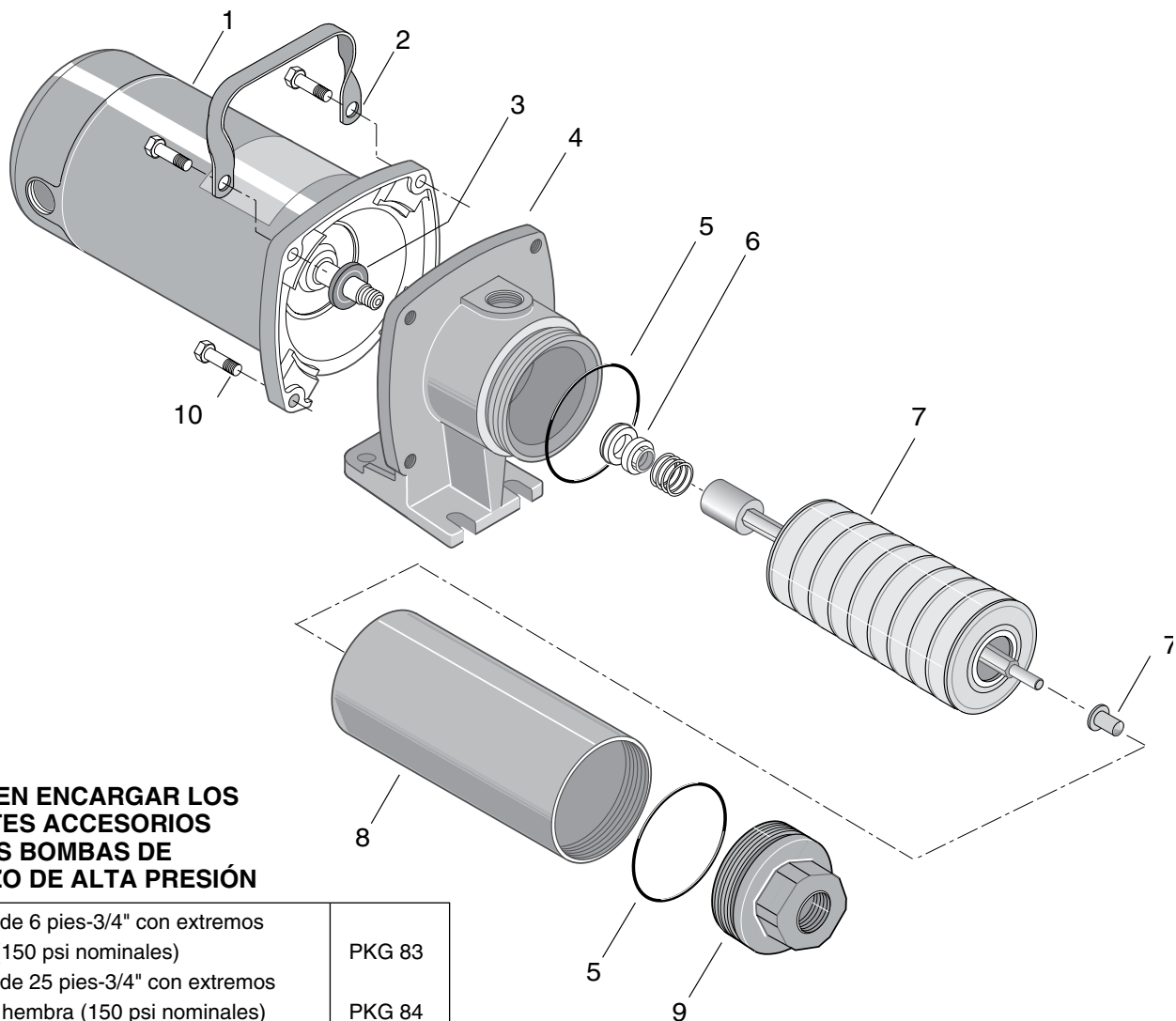
**LISTA DE REFACCIONES PARA LA REPARACIÓN**

Clave			7MPB50 10MPB50	7MPB75 10MPB75	7MPB100 10MPB100	10MPB150	10MPB200
No.	Descripción	Cant.	1/2 HP	3/4 HP	1 HP	1-1/2 HP	2 HP
1	Motor - 115/230 voltios, monofásico	1	J218-590PKG	J218-596PKG	J218-601PKG	J218-883APKG	J218-628APKG
2	Mango (+)	1	C54-21	C54-21	C54-21	-	-
3	Deflector de agua	1	17351-0009	17351-0009	17351-0009	17351-0009	17351-0009
4	Unidad de la bomba	1	C2-85	C2-85	C2-85	C2-85	C2-85
5	Aro tórico	2	U9-430	U9-430	U9-430	U9-430	U9-430
6	Unidad del sello del eje	1	U109-118	U109-118	U109-118	U109-118	U109-118
7	Colector vertical de la bomba (bomba de 7 gpm)	1	P325-422	P325-423	P325-424	-	-
7	Colector vertical de la bomba (bomba de 10 gpm)	1	P325-425	P325-426	P325-439	P325-428	P325-429
7A	Cojinete Nylatron (incluido con la Clave No. 9)	1	W31112	W31112	W31112	W31112	W31112
8	Envoltura de la bomba (bomba de 7 gpm)	1	P56-430SSL	P56-431SSL	P56-432SSL	-	-
8	Envoltura de la bomba (bomba de 10 gpm)	1	P56-460SSL	P56-461SSL	P56-469SSL	P56-452SSL	P56-432SSL
9	Unidad de descarga	1	C152-3	C152-3	C152-3	C152-3	C152-4
10	Tornillo prisionero - 3/8 x 16 x 1-1/2"	4	U30-982ZP	U30-982ZP	U30-982ZP	U30-982ZP	U30-982ZP
#	Conector del cordón **	1	U71-7	U71-7	-	-	-
#	Cordón **	1	U17-402	U17-1238	-	-	-

# No se ilustra

\*\* Incluido con los modelos número 7MPB50-01 y 7MPB75-01.

† El mango viene con las series 7MPB y 10MPB.



**SE PUEDEN ENCARGAR LOS SIGUIENTES ACCESORIOS PARA LAS BOMBAS DE REFUERZO DE ALTA PRESIÓN**

Manguera de 6 pies-3/4" con extremos hembra (150 psi nominales)	PKG 83
Manguera de 25 pies-3/4" con extremos macho y hembra (150 psi nominales)	PKG 84
Adaptador de 3/4" NPT x manguera de 3/4"	PKG 85
Tobera - Alta presión	PKG 86
Válvula de desahogo de vacío de aspiración	PKG 96

**LISTA DE REFACCIONES PARA LA REPARACIÓN**

Clave No.	Descripción	Cant.	20MPB100 1 HP	20MPB150 1-1/2 HP	20MPB200 2 HP
1	Motor - 115/230 voltios, monofásico	1	J218-601PKG	J218-883APKG	J218-628APKG
2	Mango	1	C54-21	C54-21	C54-21
3	Deflector de agua	1	17351-0009	17351-0009	17351-0009
4	Unidad de la bomba	1	C2-85A	C2-85A	C2-85A
5	Aro tórico	2	U9-430	U9-430	U9-430
6	Unidad del sello del eje	1	U109-118	U109-118	U109-118
7	Colector vertical de la bomba	1	P325-602R	P325-431R	P325-432R
7A	Cojinete Nylatron (incluido con la Clave No. 9)	1	W31112	W31112	W31112
8	Envoltura de la bomba	1	P56-433SSL	P56-434SSL	P56-452SSL
9	Unidad de descarga	1	C152-3A	C152-3A	C152-3A
10	Tornillo prisionero - 3/8 x 16 x 1-1/2"	4	U30-982ZP	U30-982ZP	U30-982ZP

## Garantía limitada

F.E. MYERS le garantiza al comprador/consumidor original (“Comprador” o “Usted”) de los productos enumerados abajo, que estos estarán libres de defectos en material y mano de obra durante el Período de Garantía indicado a continuación.

Producto	Período de garantía
Bombas de chorro, pequeñas bombas centrífugas, bombas sumergibles y accesorios asociados	lo que ocurra primero: 12 meses desde la fecha de la instalación inicial, o 18 meses desde la fecha de fabricación
Tanques de devanado de fibra de vidrio	5 años desde la fecha de la instalación inicial
Tanques a presión de acero	5 años desde la fecha de la instalación inicial
Productos para sumideros/aguas residuales/efluente	12 meses desde la fecha de la instalación inicial, o 24 meses desde la fecha de fabricación

Nuestra garantía no se aplicará a ningún producto que, a nuestro sólo juicio, haya sido sometido a negligencia, mal uso, instalación inadecuada o mal mantenimiento. Sin perjuicio a lo que antecede, la garantía quedará anulada en el caso en que un motor trifásico se haya usado con una fuente de alimentación monofásica, a través de un convertidor de fase. Es importante indicar que los motores trifásicos deben estar protegidos por relés de sobrecarga de disparo extra-rápido, con compensación ambiental de tres etapas, del tamaño recomendado, de lo contrario, la garantía quedará anulada.

Su único recurso, y la única obligación de F.E. MYERS es que F.E. MYERS repare o reemplace los productos defectuosos (a juicio de F.E. MYERS). Usted deberá pagar todos los cargos de mano de obra y de envío asociados con esta garantía y deberá solicitar el servicio bajo garantía a través del concesionario instalador tan pronto como se descubra un problema. No se aceptará ninguna solicitud de servicio bajo garantía que se reciba después del vencimiento del Período de Garantía. Esta garantía no se puede transferir.

F.E. MYERS NO SE HARÁ RESPONSABLE DE NINGÚN DAÑO CONSECUENTE, INCIDENTAL O CONTINGENTE.

LAS GARANTÍAS LIMITADAS QUE ANTECEDEN SON EXCLUSIVAS Y EN LUGAR DE TODA OTRA GARANTÍA EXPLÍCITA E IMPLÍCITA, INCLUYENDO, PERO SIN LIMITARSE A LAS GARANTÍAS IMPLÍCITAS DE COMERCIABILIDAD E IDONEIDAD PARA UN FIN ESPECÍFICO. LAS GARANTÍAS LIMITADAS QUE ANTECEDEN NO SE EXTENDERÁN MÁS ALLÁ DEL PERÍODO DE DURACIÓN INDICADO EN LA PRESENTE.

Algunos estados no permiten la exclusión o limitación de daños incidentales o consecuentes o de limitaciones de tiempo sobre garantías implícitas, de modo que es posible que las limitaciones o exclusiones que preceden no correspondan en su caso. Esta garantía le otorga derechos legales específicos y es posible que usted también tenga otros derechos que pueden variar de un estado al otro.

Esta Garantía Limitada entra en vigor el 1 de junio de 2011 y sustituye toda garantía sin fecha o garantía con fecha anterior al 1 de junio de 2011.

**F.E. MYERS**  
**293 Wright Street, Delavan, WI 53115**  
**Teléfono: 888-987-8677 • Fax: 800-426-9446 • [www.femyers.com](http://www.femyers.com)**  
**En Canadá: P. O. Box 9138, 269 Trillium Dr., Kitchener, Ontario N2G 4W5**  
**Teléfono: 519-748-5470 • Fax: 888-606-5484**

