

Product information presented here reflects conditions at time of publication. Consult factory regarding discrepancies or inconsistencies.

PUMP COMPANY

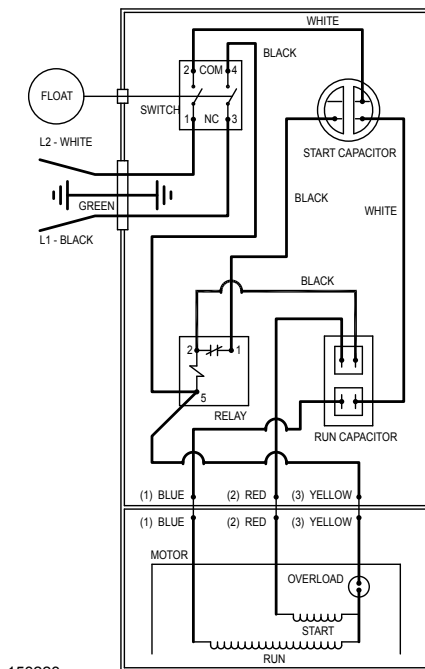
Zoeller Family of Water Solutions™

MAIL TO: P.O. BOX 16347 • Louisville, KY 40256-0347
SHIP TO: 3649 Cane Run Road • Louisville, KY 40211-1961
(502) 778-2731 • 1 (800) 928-PUMP • FAX (502) 774-3624

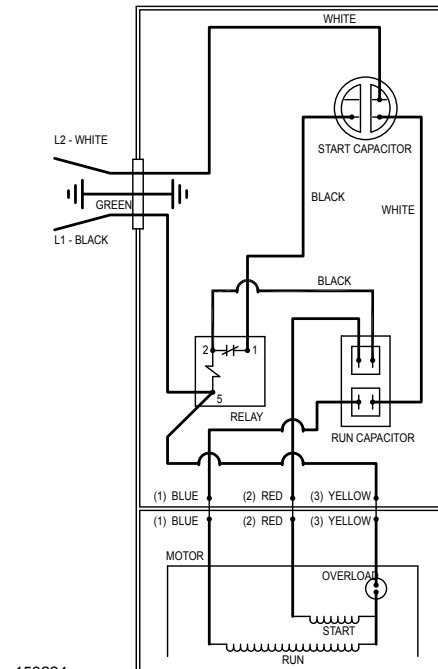
visit our web site:
www.zoeller.com

REPLACEMENT PARTS LIST FOR MODELS:

- | | |
|-------------------------------|-------------------------------|
| M803 AUTOMATIC 115V | D803 AUTOMATIC 230V |
| M805 AUTOMATIC 115V | D805 AUTOMATIC 230V |
| M807 AUTOMATIC 115V | D807 AUTOMATIC 230V |
| N803 NONAUTOMATIC 115V | E803 NONAUTOMATIC 230V |
| N805 NONAUTOMATIC 115V | E805 NONAUTOMATIC 230V |
| N807 NONAUTOMATIC 115V | E807 NONAUTOMATIC 230V |



WIRING DIAGRAM FOR MODELS
"M803", "M805", "M807",
"D803", "D805", "D807"
4/15 thru Current



WIRING DIAGRAM FOR MODELS
"N803", "N805", "N807",
"E803", "E805", "E807"
4/15 thru Current

REPLACEMENT PARTS LIST FOR MODELS "M803", "M805", "M807", "N803", "N805", "N807", "D803", "D805", "D807", "E803", "E805" & "E807"

REF. NO.	DESCRIPTION	QTY	NOTES	MODELS: M803-A, M805-A, M807-A, N803-A, N805-A, N807-A, D803-A, D805-A, D807-A, E803-A, E805-A, E807-A			
				4/15 thru Current	4/15 thru Current	4/15 thru Current	4/15 thru Current
1	Cover assembly - Automatic	1		153743	N/A	153743	N/A
	Cover assembly - Non-Automatic			N/A	153744	N/A	153744
2	• Handle	1		267032	267032	267032	267032
3	• Retainer - Non-Automatic	2		N/A	267053	N/A	267053
4	• Guard - Automatic	1		153298	N/A	153298	N/A
5	• Arm and seal assembly Automatic	1		004741	N/A	004741	N/A
6	Cord assembly - Automatic and Non-Automatic	1		153745	153745	153746	153746
7	• Cord seal assembly	1		153747	153747	153747	153747
8	Switch assembly	1		004744	N/A	004744	N/A
9	Float assembly	1		153748	N/A	153748	N/A
10	• Cover gasket	1		001011	001011	001011	001011
11	Run capacitor assembly	1		153749	153749	153749	153749
12	Start capacitor assembly	1		153750	153750	153750	153750
13	Relay assembly	1		153751	153751	153751	153751
14	• Wire pack - Automatic and Non-Automatic	1		153752	153752	153752	153752
15	Stator Assembly - 803	1		153753	153753	153756	153756
	Stator Assembly - 805			153754	153754	153757	153757
	Stator Assembly - 807			153755	153755	153758	153758
16	Rotor Assembly - 803	1		153759	153759	153759	153759
	Rotor Assembly - 805			153759	153759	153759	153759
	Rotor Assembly - 807			153759	153759	153759	153759
17	Impeller assembly - 803	1		153760	153760	153760	153760
	Impeller assembly - 805			153761	153761	153761	153761
	Impeller assembly - 807			153762	153762	153762	153762
18	Adapter	1		153151	153151	153151	153151
19	Pump housing	1		153152	153152	153152	153152
20	Cutter assembly	1		153763	153763	153763	153763
21	• Dielectric oil (44 oz)	1		153764	153764	153764	153764
22	• Bearing spring	1		017192	017192	017192	017192
23	• Bearing - upper	1		006703	006703	006703	006703
24	• Key - woodruff	1		006841	006841	006841	006841
25	• Bearing - lower	1		010069	010069	010069	010069
26	• Seal - motor housing	1		001014	001014	001014	001014
27	• Shaft seal assembly	1		011681	011681	011681	011681
28	• Thru wall terminal	3		003402	003402	003402	003402
29	• Test plug	2		034090	034090	034090	034090
30	• Screw 1/4-20 x 1 long	12		007790	007790	007790	007790
31	• Screw #10-24 x 3/8 long	2	4	001883	001883	001883	001883
32	• Screw #6-32 x 1/4 long - Green	3		001877	001877	001877	001877
33	• Screw #6-32 x 7/16 long	4		004644	004644	004644	004644
34	• Sem screw #10-24 x 3/8 long	1		002000	002000	002000	002000
35	• Screw #6-32 x 1/2 long	6		152866	152866	152866	152866
36	• Screw #10-24 x 5/8 long	1	4	001884	001884	001884	001884
▣	Rebuild Kit	1		153765	153765	153765	153765

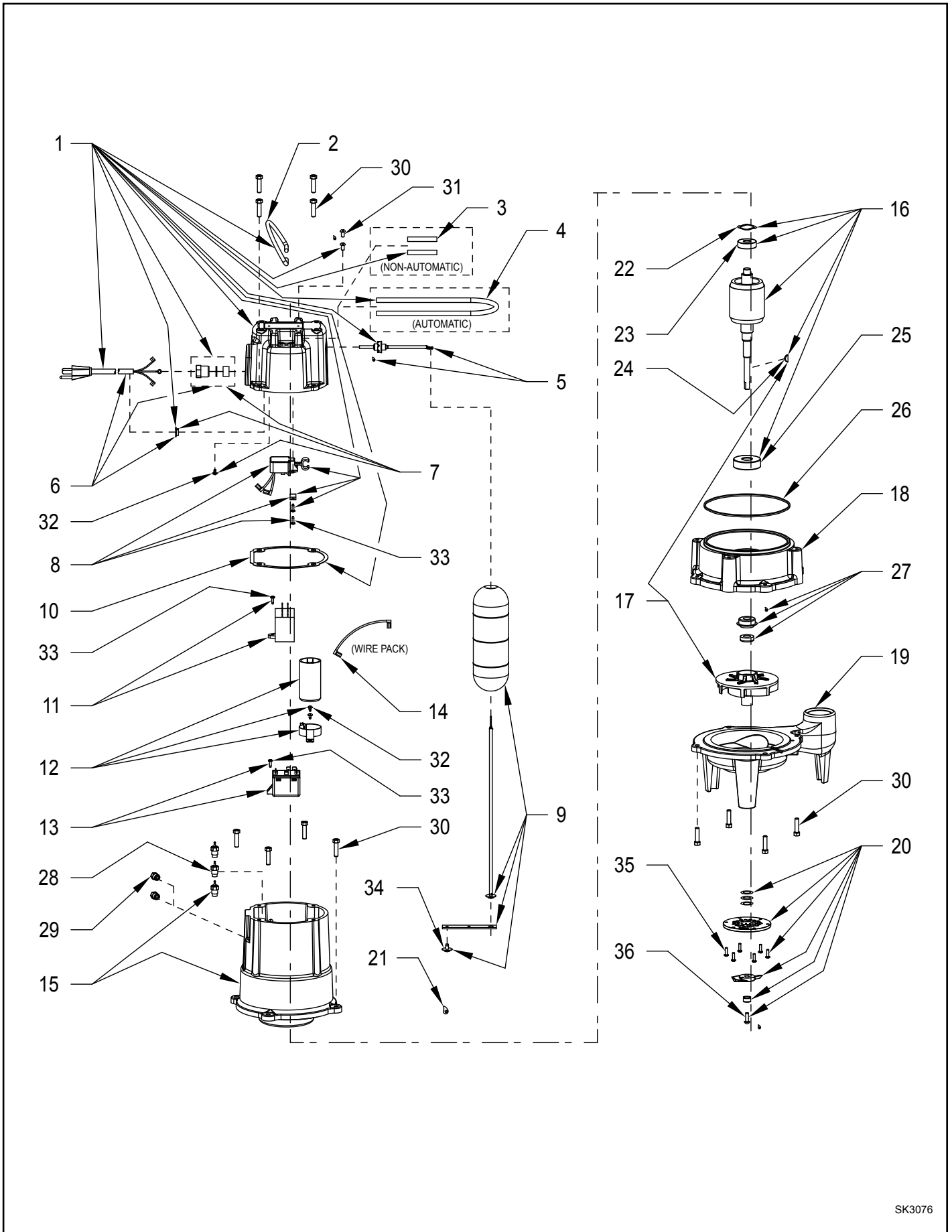
• Items included in Rebuild Kit.

▣ Not shown in illustration.

NOTES:

- 1) See FM0160 Parts Price Sheet for listing of parts prices.
- 2) "NA" indicates, not applicable.
- 3) If an "X" follows Model No., or Date Mfg. on ID tag, consult factory for ordering any parts.
- 4) Apply Loctite thread locker #222.

REPLACEMENT PARTS ILLUSTRATION FOR MODELS "M803", "M805", "M807", "N803", "N805", "N807", "D803", "D805", "D807", "E803", "E805" & "E807"



SK3076

NOTES



PUMP COMPANY

MAIL TO: P.O. BOX 16347 • Louisville, KY 40256-0347
SHIP TO: 3649 Cane Run Road • Louisville, KY 40211-1961
(502) 778-2731 • 1 (800) 928-PUMP • FAX (502) 774-3624

Your Peace of Mind is Our Top Priority®

visit our web site:
www.zoeller.com