

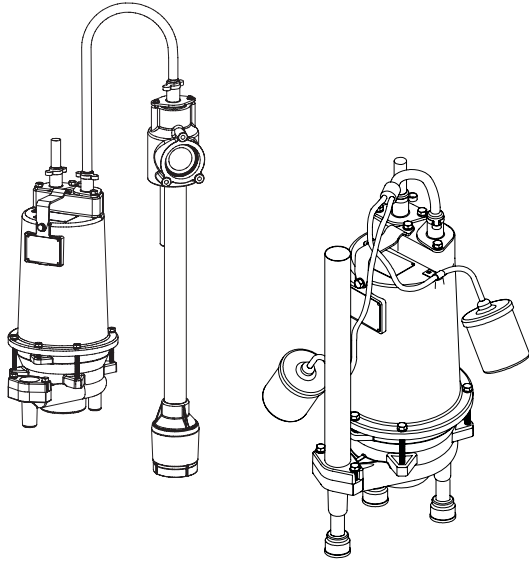
Series OGVF-AU & OGVH-AU

Recessed Vortex
with Level Control

BARNES®

www.cranepumps.com

Submersible Grinder Pumps



Specifications:

DISCHARGE	1¼" NPT, Vertical, Bolt-on Flange	
LIQUID TEMPERATURE	160°F (71°C) Intermittent	
VOLUTE	Cast Iron ASTM A-48, Class 30	
MOTOR HOUSING	Cast Iron ASTM A-48, Class 30	
SEAL PLATE	Cast Iron ASTM A-48, Class 30	
IMPELLER: Design	12 Vane, Vortex, With Pump Out Vanes On Back Side. Dynamically Balanced,	
	ISO G6.3.	
	<i>Material</i>	Cast Iron
SHREDDING RING	Hardened 440C Stainless Steel Rockwell® C-55.	
CUTTER	Hardened 440C Stainless Steel, Rockwell® C-55.	
SHAFT	416 Stainless Steel	
SQUARE RINGS	Buna-N	
HARDWARE	300 Series Stainless Steel	
PAINT	Air Dry Enamel.	
SEAL:	<i>Design</i>	Single Mechanical
	<i>Material</i>	Rotating Faces - Silicon-Carbide Stationary Faces - Silicon-Carbide Elastomer - Buna-N Hardware -300 Series Stainless
CORD ENTRY	30 ft. (9.1 m) Std, Cord. Custom Molded Quick Connect, for Sealing and Strain Relief	
CORD	<i>Automatic</i>	CSA/UL Approved 12/5 Type SOW
UPPER BEARING:	<i>Design</i>	Single Row, Ball, Oil Lubricated
	<i>Load</i>	Radial
LOWER BEARING:	<i>Design</i>	Single Row, Ball, Oil Lubrication: Radial & Thrust
MOTOR:	<i>Design</i>	NEMA L-Single Phase Torque Curve. Oil-Filled, Squirrel Cage Induction.
	<i>Insulation</i>	Class F.
SINGLE PHASE	Capacitor Start/Capacitor Run.	
LEVEL CONTROL:	<i>AU Series</i>	On/Off & Alarm Wide Angle, PVC Mechanical, Normally Open, Integral to pump. Custom molded quick connect for sealing and strain relief
	<i>AUE Series</i>	SOLD SEPARATELY (See Accessory Section C page 36A) Model ESPS-150, Environmentally sealed pressure switch with CPVC housing, Buna diaphragm, Custom molded quick connect for sealing and strain relief
OPTIONAL EQUIPMENT	Seal Material, Impeller Trims, Cord Length, Moveable Fitting	
RECOMMENDED:	<i>Accessories</i>	Break Away Fitting (BAF) Check Valve Control Panel
	<i>Seal Kit PN</i>	108303

Series: OGVF-AU & OGVH-AU
2HP, 3450RPM, 60Hz
with Level Control
High-Flow and High Head



**omni
GRIND™**
CENTRIFUGAL GRINDER PUMPS



CSA 108 - File No. LR16567
UL 778
"AUF" series pumps NOT UL or
CSA listed

Sample Specifications: Section 3 Page 11.

DESCRIPTION:

THE GRINDER PUMP IS DESIGNED TO
REDUCE DOMESTIC, COMMERCIAL,
INSTITUTIONAL AND LIGHT INDUSTRIAL
SEWAGE TO A FINELY GROUND SLURRY.

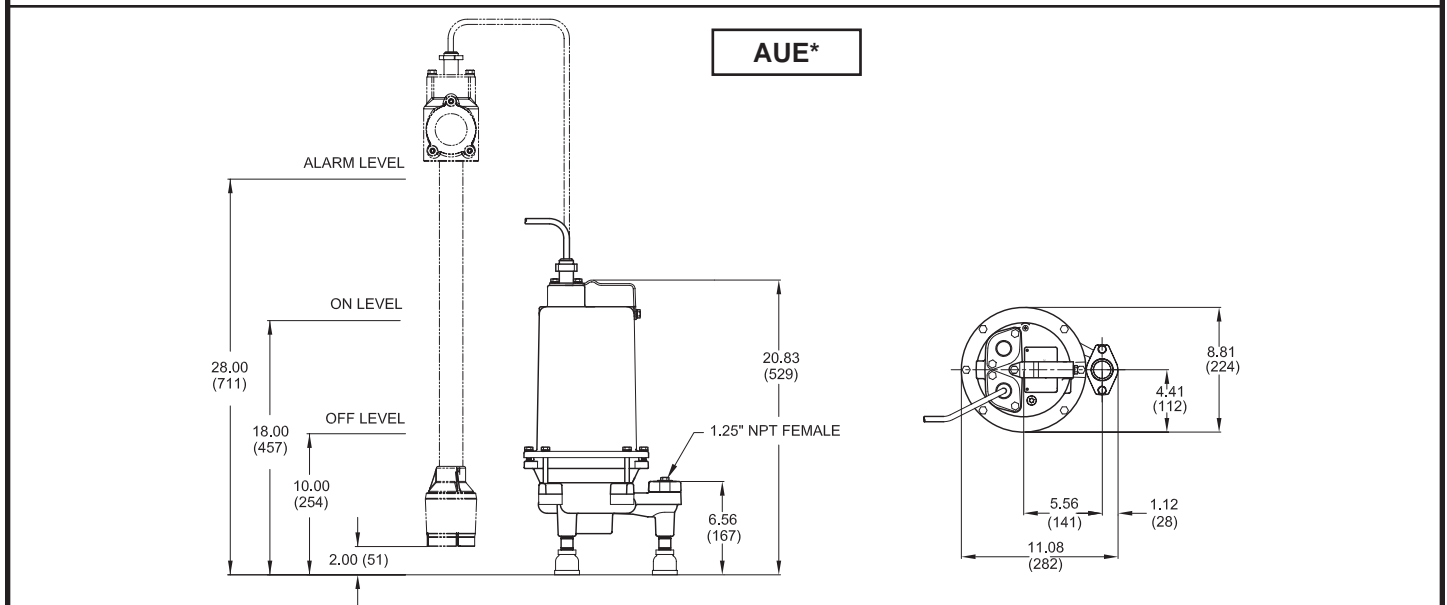
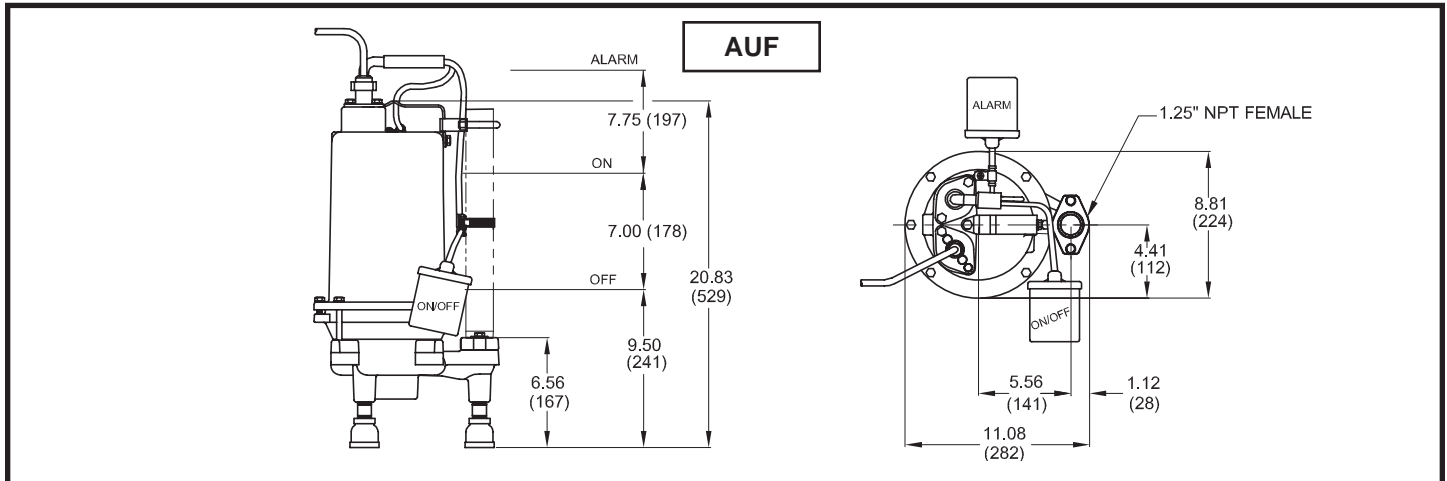
SECTION 3B
PAGE 12
DATE 3/11

CRANE
A Crane Co. Company

PUMPS & SYSTEMS

USA: (937) 778-8947 • Canada: (905) 457-6223 • International: (937) 615-3598

Submersible Grinder Pumps



MODEL NO	PART NO	HP	VOLT	PH/Hz	RPM (Nom)	NEMA START CODE	FULL LOAD AMPS	LOCKED ROTOR AMPS	CORD SIZE	CORD TYPE	CORD O.D. ± .02 (.5) in (mm)
HIGH-FLOW											
OGVF2022AUF	110652	2	240	1 / 60	3450	H	15.0	53.8	12/5	SOW	.71 (18)
OGVF2022AUE*	116892	2	240	1 / 60	3450	H	15.0	53.8	12/5	SOW	.71 (18)
HIGH-HEAD											
OGVH2022AUF	110650	2	240	1 / 60	3450	H	15.0	53.8	12/5	SOW	.71 (18)
OGVH2022AUE*	116896	2	240	1 / 60	3450	H	15.0	53.8	12/5	SOW	.71 (18)

(* ESPS Level Control Sold Separately, See Accessory Section C page 36A & B.

IMPORTANT !

- 1.) PUMP MAY BE OPERATED "DRY" FOR EXTENDED PERIODS WITHOUT DAMAGE TO MOTOR AND/OR SEALS.
- 2.) THIS PUMP IS APPROPRIATE FOR THOSE APPLICATIONS SPECIFIED AS CLASS I DIVISION II HAZARDOUS LOCATIONS.
- 3.) THIS PUMP IS NOT APPROPRIATE FOR THOSE APPLICATIONS SPECIFIED AS CLASS I DIVISION I HAZARDOUS LOCATIONS.
- 4.) INSTALLATIONS SUCH AS DECORATIVE FOUNTAINS OR WATER FEATURES PROVIDED FOR VISUAL ENJOYMENT MUST BE INSTALLED IN ACCORDANCE WITH THE NATIONAL ELECTRIC CODE ANSI/NFPA 70 AND/OR THE AUTHORITY HAVING JURISDICTION. THIS PUMP IS NOT INTENDED FOR USE IN SWIMMING POOLS, RECREATIONAL WATER PARKS, OR INSTALLATIONS IN WHICH HUMAN CONTACT WITH PUMPED MEDIA IS A COMMON OCCURRENCE.

Series OGVF-AU

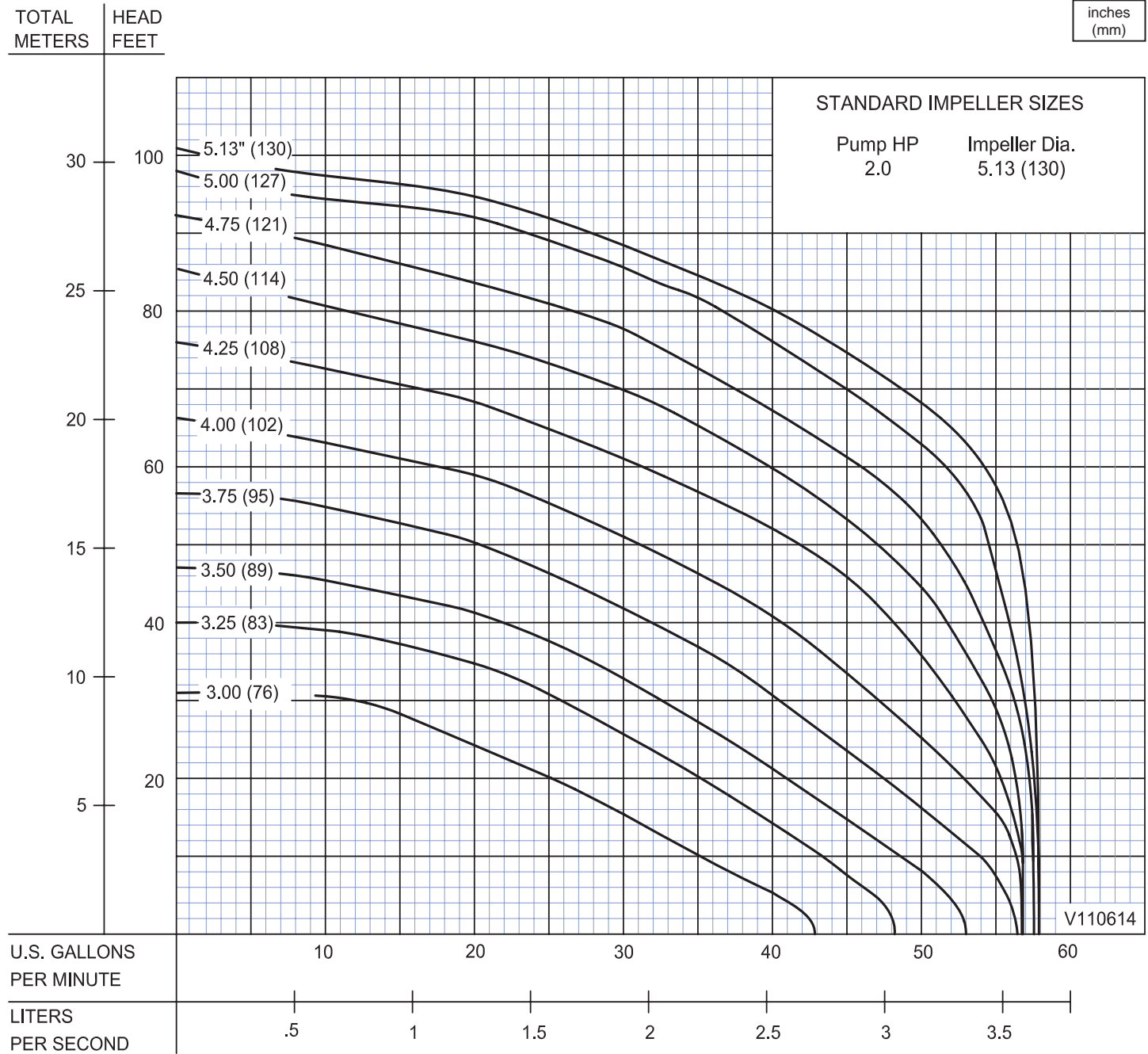
Performance Curve

2HP, 3450RPM, 60Hz, High-Flow



www.cranepumps.com

Submersible Grinder Pumps



Testing is performed with water, specific gravity 1.0 @ 68° F @ (20°C), other fluids may vary performance

SECTION 3B
 PAGE 14
 DATE 7/09

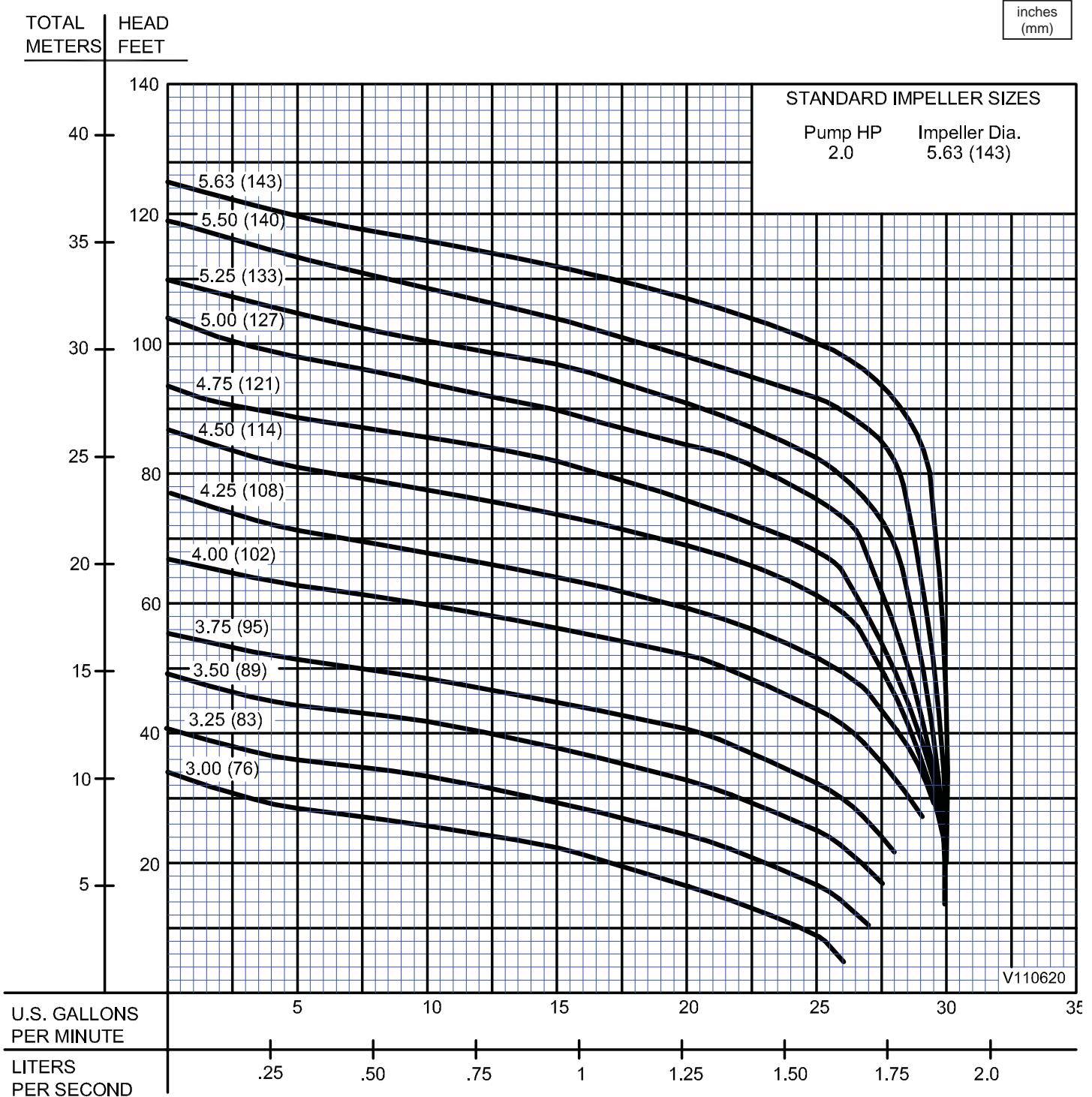


A Crane Co. Company

PUMPS & SYSTEMS

USA: (937) 778-8947 • Canada: (905) 457-6223 • International: (937) 615-3598

Submersible Grinder Pumps



Testing is performed with water, specific gravity 1.0 @ 68° F @ (20°C), other fluids may vary performance