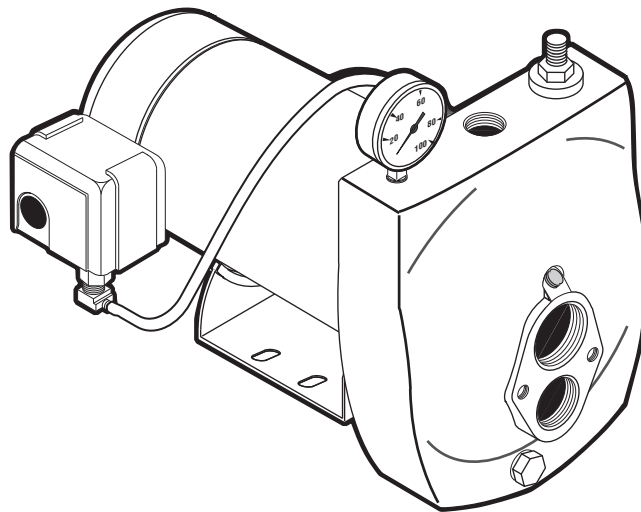


**BERKELEY®**



## **“HL” and “SL” Series**

### **Installation/Operation/Parts**

For further operating, installation, or maintenance assistance:

**Call 1-800-782-7483**

## READ AND FOLLOW SAFETY INSTRUCTIONS!

**⚠ This is the safety alert symbol.** When you see this symbol on your pump or in this manual, look for one of the following signal words and be alert to the potential for personal injury:

**⚠ DANGER** warns about hazards that **will** cause serious personal injury, death or major property damage if ignored.

**⚠ WARNING** warns about hazards that **can** cause serious personal injury, death or major property damage if ignored.

**⚠ CAUTION** warns about hazards that **will** or **can** cause minor personal injury or property damage if ignored.

The label **NOTICE** indicates special instructions which are important but not related to hazards.

**Carefully read and follow all safety instructions in this manual and on pump.**

Keep safety labels in good condition. Replace missing or damaged safety labels.

### California Proposition 65 Warning

**⚠ WARNING** This product and related accessories contain chemicals known to the State of California to cause cancer, birth defects or other reproductive harm.

## ELECTRICAL SAFETY

**⚠ WARNING** Capacitor voltage may be hazardous. To discharge motor capacitor, hold insulated handle screwdriver **BY THE HANDLE** and short capacitor terminals together. Do not touch metal screwdriver blade or capacitor terminals. If in doubt, consult a qualified electrician.

## GENERAL SAFETY

**⚠ CAUTION** Do not touch an operating motor. Modern motors can operate at high temperatures. To avoid burns when servicing pump, allow it to cool for 20 minutes after shut-down before handling.

Do not allow pump or any system component to freeze. To do so will void warranty.

Pump water only with this pump.

Periodically inspect pump and system components.


Wear safety glasses at all times when working on pumps.

Keep work area clean, uncluttered and properly lighted; store properly all unused tools and equipment.

Keep visitors at a safe distance from the work areas.

**⚠ WARNING** Pump body may explode if used as a booster pump unless relief valve capable of passing full pump flow at 100 psi is installed.

**⚠ WARNING**




**Hazardous voltage. Can shock, burn, or cause death.**

Ground pump before connecting to power supply. Disconnect power before working on pump, motor or tank.

- ⚠** Wire motor for correct voltage. See "Electrical" section of this manual and motor nameplate.
- ⚠** Ground motor before connecting to power supply.
- ⚠** Meet National Electrical Code, Canadian Electrical Code, and local codes for all wiring.
- ⚠** Follow wiring instructions in this manual when connecting motor to power lines.

**⚠ WARNING**



**Hazardous pressure! Install pressure relief valve in discharge pipe.**

Release all pressure on system before working on any component.

	<b>Page</b>
General Safety .....	2
Warranty.....	3
Typical Installations .....	4
Discharge Pipe and Pressure Tank Connections .....	5
Electrical.....	6, 7
Preparing To Start The Pump – Deep Well .....	8
Preparing To Start The Pump – Shallow Well .....	9
Repair Parts .....	10,11
Troubleshooting.....	12
Performance .....	13, 14

## Limited Warranty

BERKELEY warrants to the original consumer purchaser (“Purchaser” or “You”) of the products listed below, that they will be free from defects in material and workmanship for the Warranty Period shown below.

Product	Warranty Period
<b>Water Systems:</b>	
Water Systems Products — jet pumps, small centrifugal pumps, submersible pumps and related accessories	<i>whichever occurs first:</i> 12 months from date of original installation, or 18 months from date of manufacture
Pro-Source™ Composite Tanks	5 years from date of original installation
Pro-Source™ Steel Pressure Tanks	5 years from date of original installation
Pro-Source™ Epoxy-Lined Tanks	3 years from date of original installation
Sump/Sewage/Effluent Products	12 months from date of original installation, or 18 months from date of manufacture
<b>Agricultural/Commercial:</b>	
Centrifugals – close-coupled motor drive, frame mount, SAE mount, engine drive, VMS, SSCX, SSHM, solids handling, submersible solids handling	12 months from date of original installation, or 24 months from date of manufacture
Submersible Turbines, 6” diameter and larger	12 months from date of original installation, or 24 months from date of manufacture

Our limited warranty will not apply to any product that, in our sole judgement, has been subject to negligence, misapplication, improper installation, or improper maintenance. Without limiting the foregoing, operating a three phase motor with single phase power through a phase converter will void the warranty. Note also that three phase motors must be protected by three-leg, ambient compensated, extra-quick trip overload relays of the recommended size or the warranty is void.

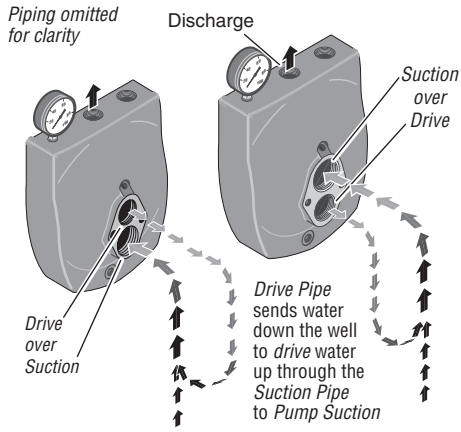
Your only remedy, and BERKELEY’s only duty, is that BERKELEY repair or replace defective products (at BERKELEY’s choice). You must pay all labor and shipping charges associated with this warranty and must request warranty service through the installing dealer as soon as a problem is discovered. No request for service will be accepted if received after the Warranty Period has expired. This warranty is not transferable.

BERKELEY SHALL NOT BE LIABLE FOR ANY CONSEQUENTIAL, INCIDENTAL, OR CONTINGENT DAMAGES WHATSOEVER. THE FOREGOING LIMITED WARRANTIES ARE EXCLUSIVE AND IN LIEU OF ALL OTHER EXPRESS AND IMPLIED WARRANTIES, INCLUDING BUT NOT LIMITED TO IMPLIED WARRANTIES OF MERCHANTABILITY AND FITNESS FOR A PARTICULAR PURPOSE. THE FOREGOING LIMITED WARRANTIES SHALL NOT EXTEND BEYOND THE DURATION PROVIDED HEREIN.

Some states do not allow the exclusion or limitation of incidental or consequential damages or limitations on the duration of an implied warranty, so the above limitations or exclusions may not apply to You. This warranty gives You specific legal rights and You may also have other rights which vary from state to state.

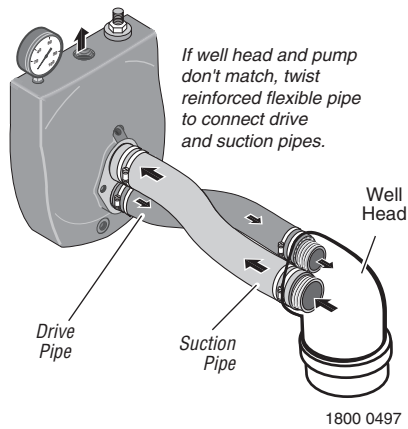
This Limited Warranty is effective June 1, 2011 and replaces all undated warranties and warranties dated before June 1, 2011.

**In the U.S.: BERKELEY, 293 Wright St., Delavan, WI 53115**  
**In Canada: 269 Trillium Dr., Kitchener, Ontario N2G 4W5**



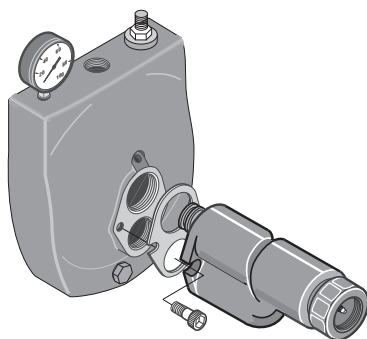
1799 0497

**Figure 1: Drive and Suction Functions**



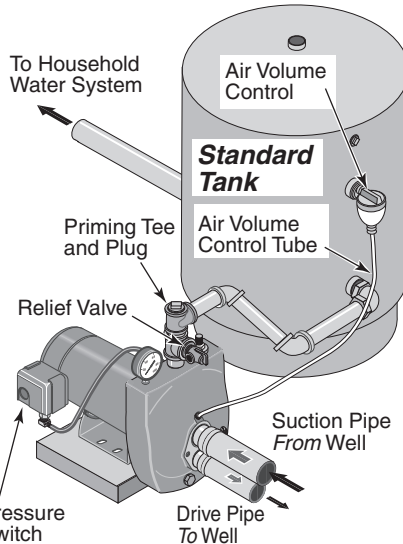
1800 0497

**Figure 2: Reversed Connections to Well**



1903 0497

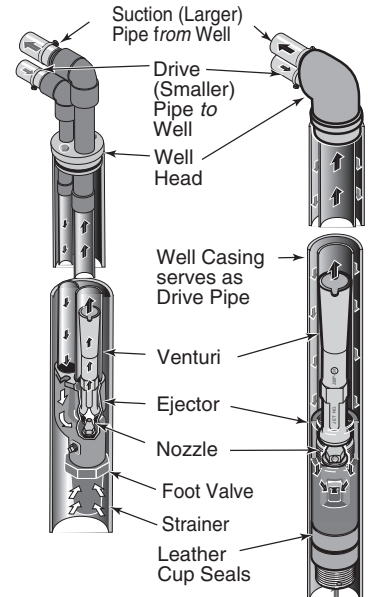
**Figure 3: Mount Ejector – Shallow Well**



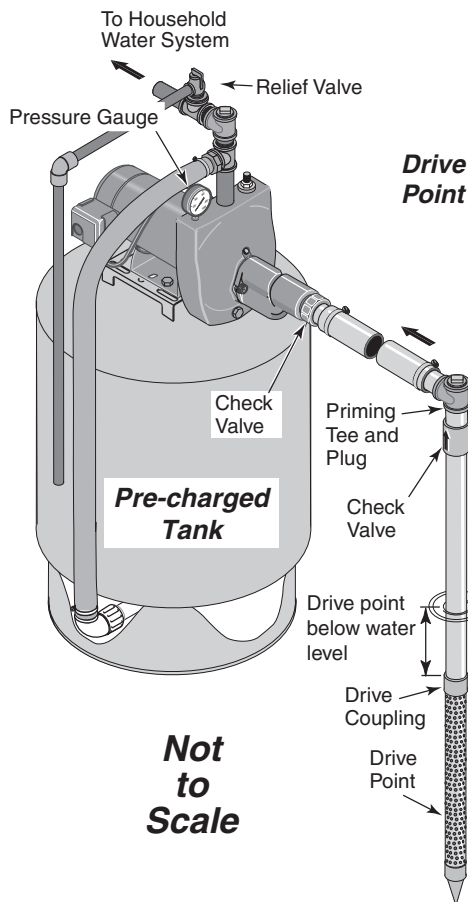
**Figure 4: Typical Deep Well Installations**

**"Double Pipe" (4" and Larger Diameter Well)**

**"Single Pipe" (2" and 3" Diameter Well)**

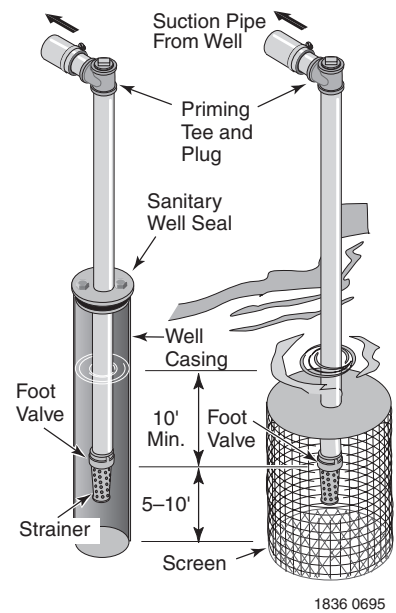


1834 0695



**Cased Well**

**Open Water**



1836 0695

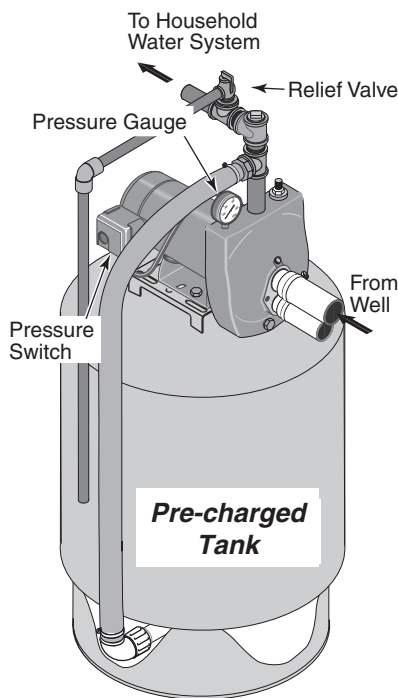
**Figure 5: Typical Shallow Well Installations**

## PRE-CHARGE TANK CONNECTION (Figure 6)

If your system uses a pre-charged tank, it should be connected to the pump as shown in Figure 6. The relief valve must be capable of passing the entire pump capacity at 100 PSI pressure.

Check the pre-charge of air in the tank with an ordinary tire gauge. The pre-charge is measured *when there is no water pressure in the tank*. Disconnect power to the pump and drain the tank before checking the pre-charge. Your pump has a 30/50 PSI switch, so the tank pre-charge pressure should be 28 PSI (that is, it should be 2 PSI lower than the cut-in pressure of the pressure switch).

No AVC is required for a pre-charged tank; the 1/8" NPT AVC port on the pump body should be plugged.



2110 0497

Figure 6: Pre-charged Tank Connections

## STANDARD TANK CONNECTION (Figure 7)

If your system uses a standard tank, connect it to the pump as shown in Figure 7. The relief valve used with a standard tank must be capable of passing the entire pump capacity at 75 PSI pressure.

Connect the Air Volume Control (AVC) tube to the 1/8" NPT AVC port on the pump body. Run the tubing from the pump's AVC port to the AVC mounted on the tank. See the instructions provided with tank and AVC for details.

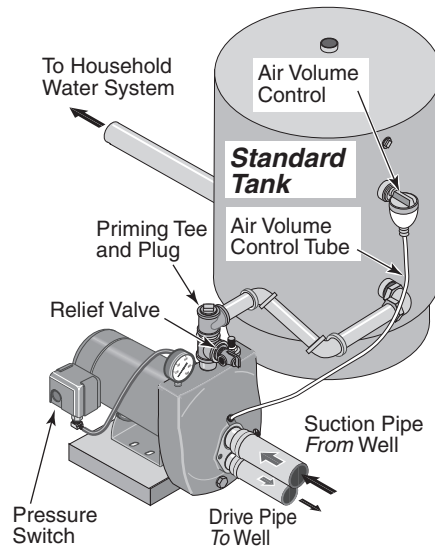


Figure 7: Standard Tank Connections

### Sealing Pipe Joints

Use only PTFE pipe thread sealant tape for making all threaded connections to the pump itself. **Do not use pipe joint compounds on plastic pumps:** they can react with the plastic in pump components. Make sure that all pipe joints in the suction pipe are air tight as well as water tight. *If the suction pipe can suck air, the pump will not be able to pull water from the well.*

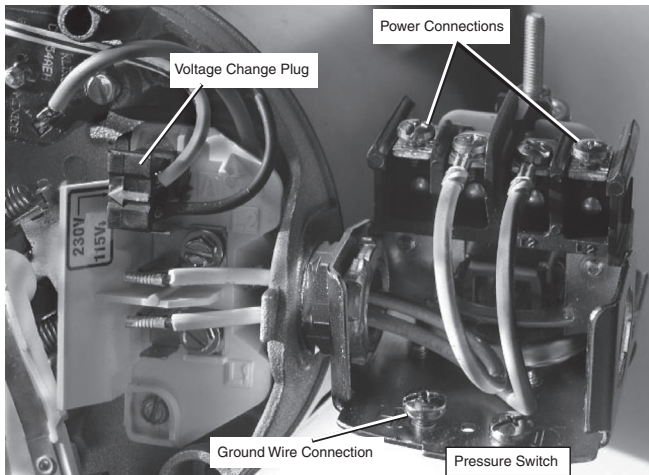
**⚠️ Disconnect power before working on pump, motor, pressure switch, or wiring.**

## MOTOR SWITCH SETTINGS

**NOTE:** 1/2 HP motors are wired for 115 volts only, and have no motor wiring to change. 3/4 HP or 1 HP motor terminal boards (located under the motor end cover) should look like one of those below. If the motor can operate at either 115 or 230 volts, it is set at the factory to 230 volts. Do not change motor wiring if line voltage is 230 volts, or if you have a single voltage motor.

**⚠️ CAUTION** Never wire a 115 volt motor to a 230 volt line.

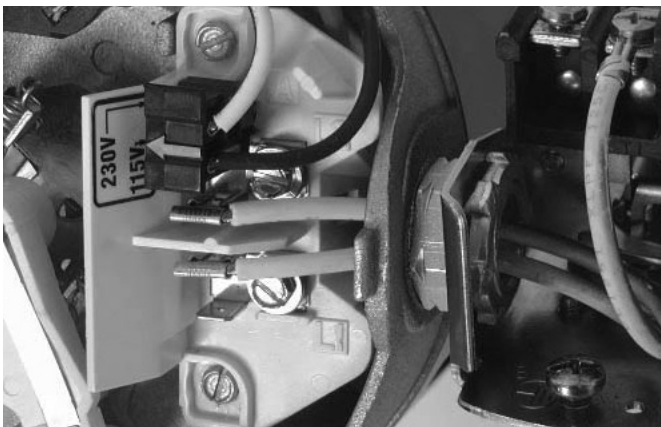
### Plug Type Voltage Selector



**Figure 8: Voltage set to 230 volts, Plug Type**

Voltage is factory set to 230 volts. To change to 115 volts:

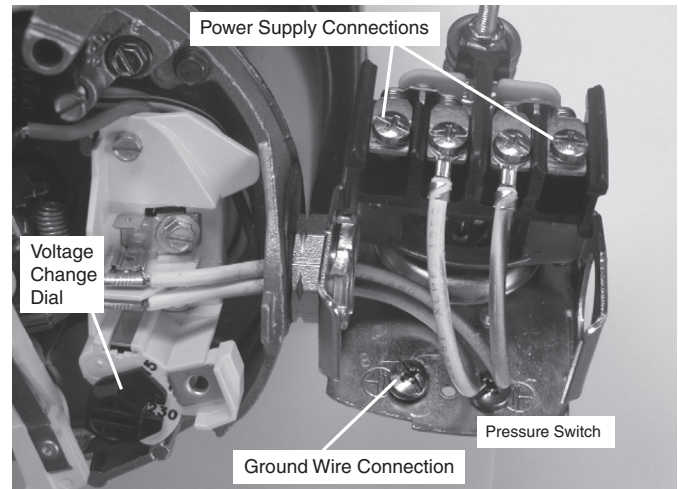
1. Make sure power is off.
2. Pull the voltage change plug off of the tabs.
3. Move the voltage change plug to the 115 volt position. The plug will now cover 2 metal tabs and the arrow on the plug will line up with the 115V arrow on the label (see Figure 9).



**Figure 9: Voltage set to 115 volts, Plug Type**

4. Attach the incoming power leads to the two outer screws on the pressure switch as shown in Figure 8.
5. Attach the ground wire to one of the grounding connections, shown in Figure 8.
6. If there are other wires, they should be capped.
7. Reinstall the Motor end cover.

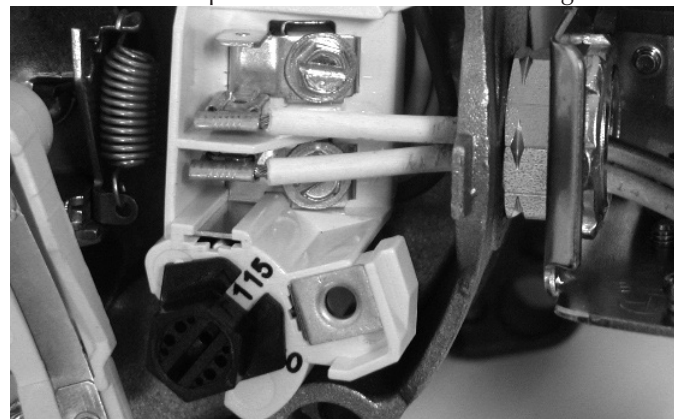
### Dial Type Voltage Selector



**Figure 10: Voltage set to 230 volts, Dial Type**

Voltage is factory set to 230 volts. To change to 115 volts:

1. Make sure power is off.
2. Turn the dial counter-clockwise until 115 shows in the dial window as shown in Figure 11.
3. Attach the incoming power leads to the two outer screws on the pressure switch as shown in Figure 10.



**Figure 11: Voltage set to 115 volts, Dial Type**

4. Attach the ground wire to the grounding connections as shown in Figure 10.
5. If there are other wires, they should be capped.
6. Reinstall the Motor end cover.

**⚠ WARNING** Hazardous voltage. Can shock, burn, or kill. Connect ground wire before connecting power supply wires. Use the wire size (including the ground wire) specified in the wiring chart. If possible, connect the pump to a separate branch circuit with no other appliances on it.

**⚠ WARNING** Explosion hazard. Do not ground to a gas supply line.

**WIRING CONNECTIONS**

**⚠ WARNING** Fire hazard. Incorrect voltage can cause a fire or seriously damage the motor and voids the warranty. The supply voltage must be within ±10% of the motor nameplate voltage.

**NOTICE:** Dual-voltage motors are factory wired for 230 volts. If necessary, reconnect the motor for 115 volts, as shown. Do not alter the wiring in single voltage motors. Install, ground, wire, and maintain your pump in compliance with the National Electrical Code (NEC) or the Canadian Electrical Code (CEC), as applicable, and with all local codes and ordinances that apply. Consult your local building inspector for code information.

**Connection Procedure:**

- Step 1. Connect the ground wire first as shown in Figure 11. The ground wire must be a solid copper wire at least as large as the power supply wires.
- Step 2. There must be a solid metal connection between the pressure switch and the motor for motor grounding protection. If the pressure switch is not connected to the motor, connect the green ground screw in the switch to the green ground screw under the motor end cover. Use a solid copper wire at least as large as the power supply wires.
- Step 3. Connect the ground wire to a grounded lead in a service panel, to a metal underground water pipe, to a metal well casing at least ten feet (3M) long, or to a ground electrode provided by the power company or the hydro authority.
- Step 4. Connect the power supply wires to the pressure switch as shown in Figure 11.

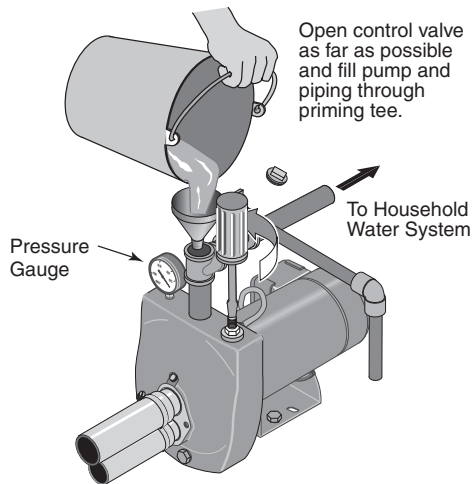
**Table I: Wiring Chart – Recommended Wire and Fuse Sizes**

Model	HP	Max Load Amps	Branch Fuse Rating Amps	Distance in Feet (Meters); Wire Size AWG (mm²)				
				0-100 (0-30)	101-200 (31-61)	201-300 (62-91)	301-400 (92-122)	401-500 (123-152)
<b>115Volts:</b>								
5SL	1/2	9.9	15	14(2)	10(5.5)	8(8.4)	8(8.4)	6(14)
5HL	1/2	12.2	20	12(3)	10(5.5)	8(8.4)	6(14)	6(14)
7SL	3/4	12.2	20	12(3)	10(5.5)	8(8.4)	6(14)	6(14)
7HL	3/4	14.8	20	12(3)	8(8.4)	6(14)	6(14)	4(21)
10SL	1	14.8	20	12(3)	8(8.4)	6(14)	6(14)	4(21)
10HL	1	19.9	25	10(5.5)	8(8.4)	6(14)	4(21)	4(21)
15SL	1-1/2	19.9	25	10(5.5)	8(8.4)	6(14)	4(21)	4(21)
<b>230 Volts:</b>								
5SL	1/2	5.0	15	14(2)	14(2)	14(2)	14(2)	12(3)
5HL	1/2	6.2	15	14(2)	14(2)	14(2)	12(3)	12(3)
7SL	3/4	6.2	15	14(2)	14(2)	14(2)	12(3)	12(3)
7HL	3/4	7.4	15	14(2)	14(2)	14(2)	12(3)	10(5.5)
10SL	1	7.4	15	14(2)	14(2)	14(2)	12(3)	10(5.5)
10HL	1	9.9	15	14(2)	14(2)	12(3)	10(5.5)	10(5.5)
15SL	1-1/2	9.9	15	14(2)	14(2)	12(3)	10(5.5)	10(5.5)

**⚠ WARNING** Never run pump against closed discharge. To do so can boil water inside pump, causing hazardous pressure in unit, risk of explosion and possibly scalding persons handling pump.

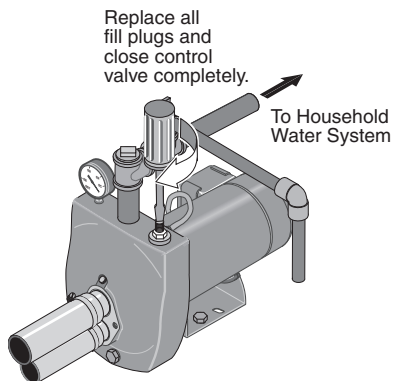
**⚠ CAUTION** Never run pump dry. Running pump without water may cause pump to overheat, damaging seal and possibly causing burns to persons handling pump. Fill pump with water before starting.

Step 1. Open the control valve as far as possible (see Figure 12). Then remove the priming plug from the pump and fill the pump, fill all piping between the pump and the well, and make sure that all piping in the well is full. If you have also installed a priming tee in the suction piping, remove the plug from the tee and fill the suction piping.



**Figure 12: Fill Pump**

Step 2. Replace all fill plugs and close the control valve completely (Figure 13).

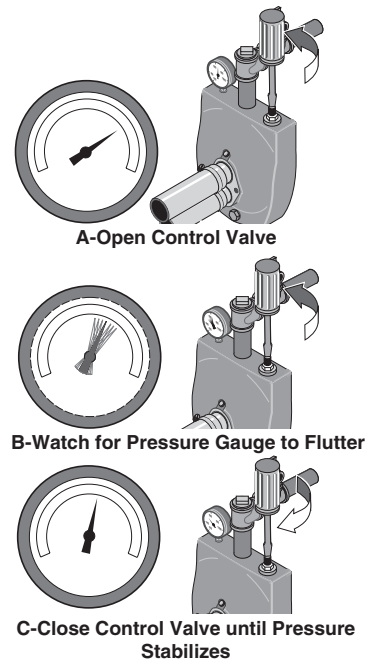


**Figure 13: Prime Pump**

Step 3. Power on! Start the pump and watch the pressure gauge. The pressure should build rapidly to 50 PSI as the pump primes.

Step 4. After 2 or 3 minutes, the gauge should show pressure. If not, stop the pump, remove the fill plugs, reopen the control valve, and refill the pump and piping. You may have to repeat this two or three times in order to get all the trapped air out of the piping. Don't forget to close the control valve each time before you start the pump.

Step 5. When pressure has built up and stabilized at about 50 PSI, slowly open the control valve (see Figure 14) and let the pressure drop until the pressure gauge needle starts to flutter. When the needle flutters, close the valve just enough to stop the flutter (see Figure 14). Your pump is now operating at its most efficient point.



**Figure 14: Set Control Valve**

Step 6. After the pump has built up pressure in the system and shut off, check the pressure switch operation by opening a faucet or two and running enough water out to bleed off pressure until the pump starts. The pump should start when pressure drops to 30 PSI and stop when pressure reaches 50 PSI. Run the pump through one or two complete cycles to verify correct operation. This will also help clean the system of dirt and scale dislodged during installation.

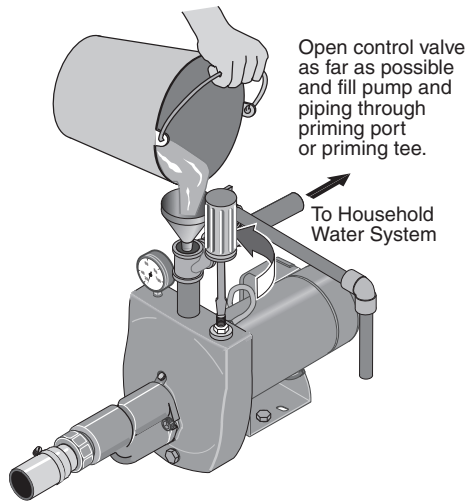
**NOTICE:** Packer jets (2" and 3" single pipe wells) do not form a perfect seal. Normal irregularities in the cup seal leather and the inner walls of the casing will allow the pressure in a dormant system to leak off over time. This will cause the pump to cycle periodically to maintain the system pressure level.



**⚠ WARNING** Never run pump against closed discharge. To do so can boil water inside pump, causing hazardous pressure in unit, risk of explosion and possibly scalding persons handling pump.

**⚠ CAUTION** Never run pump dry. Running pump without water may cause pump to overheat, damaging seal and possibly causing burns to persons handling pump. Fill pump with water before starting.

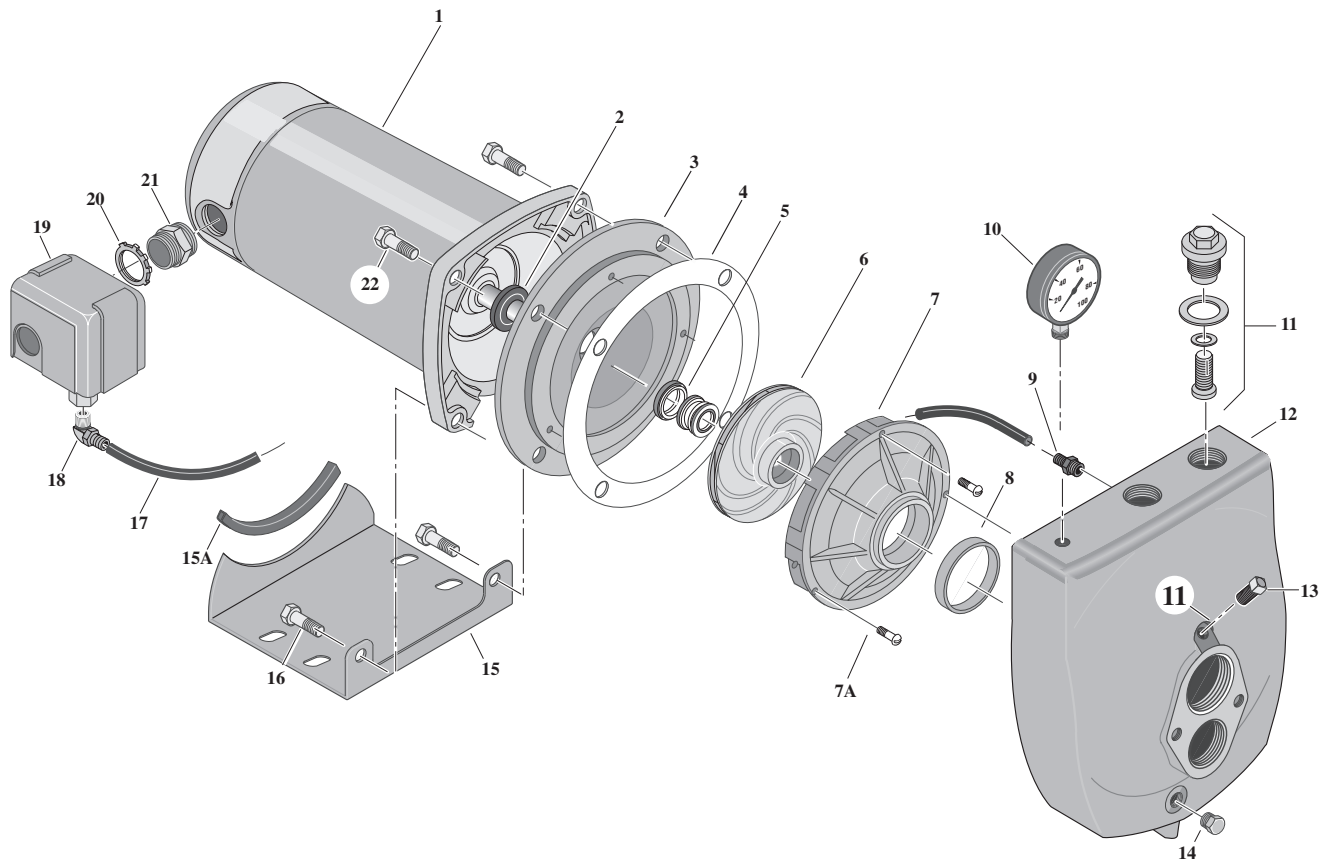
Step 1. Open the control valve as far as possible (see Figure 15). Then remove the priming plug from the pump and fill the pump, fill all piping between the pump and the well, and make sure that all piping in the well is full. If you have also installed a priming tee *in* the suction piping, remove the plug from the tee and fill the suction piping.



2411 0497

**Figure 15: Open Control Valve**

- Step 2. Replace all fill plugs. Leave the control valve open (in a shallow well installation, the control valve always stays open).
- Step 3. Power on! Start the pump. The pump should pump water in two or three minutes.
- Step 4. If you don't have water after 2 or 3 minutes, stop the pump and remove the fill plugs. Refill the pump and piping. You may have to repeat this two or three times in order to get all the trapped air out of the piping. The control valve remains open throughout this procedure.
- Step 5. After the pump has built up pressure in the system and shut off, check the pressure switch operation by opening a faucet or two and running enough water out to bleed off pressure until the pump starts. The pump should start when pressure drops to 30 PSI and stop when pressure reaches 50 PSI. Run the pump through one or two complete cycles to verify correct operation. This will also help clean the system of dirt and scale dislodged during installation.



## Repair Parts – “HL” Series Cast Iron Jet Pumps

Key No.	Part Description	Qty.	5HL 1/2 HP	7HL 3/4 HP	10HL 1 HP
1	Motor	1	J218-590PKG	J218-596PKG	J218-601PKG
#§2	Water Slinger	1	17351-0009	17351-0009	17351-0009
3	Seal Plate	1	N3-1043P	L3-10	L3-10
#§4	Seal Plate Gasket	1	N20-35	C20-21	C20-21
#§5	Shaft Seal	1	U109-6A	U109-6A	U109-6A
#6	Impeller	1	J105-86P	J105-85P	J105-22PA
#7	Diffuser	1	L1-48P	L1-47P	L1-23P
7A	8-32x3/4" Rd. Hd. Capscrew	3	–	U30-489SS	U30-489SS
#§8	Diffuser Ring	1	L21-1	L21-1	L21-1
9	Quick Connect – Straight	1	U11-217P	U11-217P	U11-217P
10	Pressure Gauge	1	U239-2	U239-2	U239-2
11	Control Valve Assembly	1	01322	L262-5PS	L262-5PS
12	Pump Body	1	L76-48A	L76-49A	L76-49A
13	Pipe Plug	1	U78-56ZPS	U78-56ZPS	U78-56ZPS
14	Drain Plug	1	U78-941ZPV	U78-941ZPV	U78-941ZPV
15	Base	1	J4-9	J104-9C	J104-9C
15A	Motor Pad	1	C35-5	C35-5	C35-5
16	3/8-16x1-1/2" Capscrew	2	–	U30-76ZP	U30-76ZP
17	Switch Tube	1	U37-672P	U37-672P	U37-677P
18	Quick Connect – Elbow	1	U11-218P	U11-218P	U11-218P
19	Pressure Switch	1	U217-1216	U217-1216	U217-1216
20	Lock Nut	1	U36-112ZP	U36-112ZP	U36-112ZP
21	Connector	1	L43-5C	L43-5C	L43-5C
22	3/8-16x1-1/4" Capscrew	†	U30-75ZP (4)	U30-75ZP (2)	U30-75ZP (2)

### SERVICE KITS

§	Seal and Gasket Kit	PP1550	PP1551	PP1551
#	Overhaul Kit	PP1565	PP1566	PP1564

**NOTE:** § Included in Seal and Gasket Kit. # Included in Overhaul Kit.

(†) Quantity required is indicated after the part number.

## Repair Parts – “SL” Series Cast Iron Jet Pumps

Key No.	Part Description	Qty.	5SL 1/2 HP	7SL 3/4 HP	10SL 1 HP	15SL 1-1/2 HP
1	Motor	1	J218-582APKG	J218-590PKG	J218-596PKG	J218-601PKG
#§2	Water Slinger	1	17351-0009	17351-0009	17351-0009	17351-0009
3	Seal Plate	1	N3-1043P	N3-1043P	L3-10	L3-10
#§4	Seal Plate Gasket	1	N20-35	N20-35	C20-21	C20-21
#§5	Shaft Seal	1	U109-6A	U109-6A	U109-6A	U109-6A
#6	Impeller	1	J105-40P	J105-86P	J105-85P	J105-22PA
#7	Diffuser	1	L1-25P	L1-48P	L1-47P	L1-23P
7A	8-32x3/4" Rd. Hd. Capscrew	3	–	–	U30-489SS	U30-489SS
#§8	Diffuser Ring	1	L21-1	L21-1	L21-1	L21-1
9	Quick Connect – Straight	1	U11-217P	U11-217P	U11-217P	U11-217P
10	Pressure Gauge	1	–	–	–	–
11	Control Valve Assembly	1	01322	01322	L262-5PS	L262-5PS
12	Pump Body	1	L76-48A	L76-48A	L76-49A	L76-49A
13	Pipe Plug	1	U78-56ZPS	U78-56ZPS	U78-56ZPS	U78-56ZPS
14	Drain Plug	1	U78-941ZPV	U78-941ZPV	U78-941ZPV	U78-941ZPV
15	Base	1	J4-9	J4-9	J104-9C	J104-9C
15A	Motor Pad	1	C35-5	C35-5	C35-5	C35-5
16	3/8-16x1-1/2" Capscrew	2	–	–	U30-76ZP	U30-76ZP
17	Switch Tube	1	U37-676P	U37-677P	U37-672P	U37-677P
18	Quick Connect – Elbow	1	U11-218P	U11-218P	U11-218P	U11-218P
19	Pressure Switch	1	U217-1225	U217-1225	U217-1225	U217-1225
20	Lock Nut	1	U36-112ZP	U36-112ZP	U36-112ZP	U36-112ZP
21	Connector	1	L43-5C	L43-5C	L43-5C	L43-5C
22	3/8-16x1-1/4" Capscrew	†	U30-75ZP (4)	U30-75ZP (4)	U30-75ZP (2)	U30-75ZP (2)

### SERVICE KITS

§	Seal and Gasket Kit	PP1550	PP1550	PP1551	PP1551
#	Overhaul Kit	PP1560	PP1565	PP1566	PP1564

**NOTE:** § Included in Seal and Gasket Kit. # Included in Overhaul Kit.

(†) Quantity required is indicated after the part number.

Symptoms	Things to Do:
A. Motor will not run.	<p>A. Check that the disconnect switch is ON and that the circuit breaker has not tripped or the fuse has not blown.</p> <p>DISCONNECT POWER and make sure that wires connecting motor to power supply and pressure switch are tight and correctly connected (see Page 6).</p> <p>If the remedies above do not solve the problem, call your well professional.</p>
B. Motor runs hot and overload trips.	<p>B. Turn to electrical instructions on Page 6 and verify that motor is correctly wired.</p> <p>Check with the power company or hydro authority to make sure that the voltage at the pump is within <math>\pm 10\%</math> of the motor's rated nameplate voltage.</p> <p>DISCONNECT POWER and make sure that the wires connecting the motor to the power supply are sized according to Table I, Page 7.</p> <p>If not, rewire according to the instructions on Page 6.</p> <p>If the pump is cycling too frequently, see Section E, below.</p>
C. Motor runs but no water is delivered.	<p>C. FIRST, check the prime; that is, make sure that the pump and all the suction piping plus the piping in the well are full of water. If they aren't, fill them up.</p> <p>In cold weather, make sure that the pipes and pump are not frozen. If they are, thaw them, watching out for split pipes and fittings as you work. Heat the pump pit or pump house and bury all piping below the frost line.</p> <p>Other possible causes (call your pump professional if you suspect one of these): Air leaks in the suction line, dropping water level in the well, foot valve stuck or plugged, ejector plugged, impeller plugged, foot valve or strainer stuck in the mud in the bottom of the well, a shallow well pump installed on a well with more than 25 ft depth to water (in this case a deep well jet pump is needed).</p>
D. Pump does not deliver water to full capacity.	<p>D. Possible causes are: the well water level is lower than estimated, making a different nozzle/venturi combination necessary; steel piping (if used) is corroded or limed, restricting capacity and increasing friction; or the piping is too small for the installation. Consult your well professional for any of these conditions.</p>
E. Pump cycles too frequently or does not shut off at all.	<p>E. Make sure no faucets have been left open.</p> <p>If system has a standard tank, make sure it isn't waterlogged. If it is, drain it down to the level of the air volume control. Make sure the AVC isn't defective and that there are no leaks at any connections.</p> <p>If system has a precharged tank, <b>disconnect power</b>, open all system faucets and bleed all pressure off of tank. Use a tire gauge to check the air pressure in the tank. This should be lower than the cut-in setting of the pressure switch by 2 PSI (that is, if the pressure switch starts the pump at 30 PSI, the precharge should be 28 PSI). Check the air valve for leaks (use a soap solution) and replace the core if necessary.</p> <p>If you suspect any of the following conditions, consult your well professional: leaky pipes, leaky foot valve, water level in the well lower than estimated, clogged ejector or impeller.</p>
F. Air spurts from faucets.	<p>F. Pump may still be priming; when priming is complete all air will have been ejected from the system.</p> <p>If you suspect leaks in the suction piping, gasses in the well, or that the pump is intermittently overpumping the well (that is, drawing the water level down below the foot valve), consult your well professional.</p>
G. Pump leaks around clamp.	<p>G. Tighten clamp nut 1-2 turns. <i>Do not overtighten.</i></p>

**Table II – 4” Double Pipe Deep Well Performance and Ejector Chart - Ejector Package BK4800**

Feet to Water	Model 05SL 1/2 HP				Model 07SL 3/4 HP				Model 10SL 1 HP			
	Pressure in psi				Pressure in psi				Pressure in psi			
	20	30	40	50	20	30	40	50	20	30	40	50
	<b>GPH w/J32P-24 Venturi &amp; #51 Nozzle</b>				<b>GPH w/J32P-32 Venturi &amp; #55 Nozzle</b>				<b>GPH w/J32P-33 Venturi &amp; #51 Nozzle</b>			
30'	525	390	245	120	900	690	420	150	1,200	915	585	180
40	450	315	190	77	700	540	130	–	960	690	360	155
	<b>GPH w/32P-24 Venturi &amp; #51 Nozzle</b>				<b>GPH w/J32P-29 Venturi &amp; #54 Nozzle</b>				<b>GPH w/J32P-24 Venturi &amp; #51 Nozzle</b>			
50	390	245	120	–	500	385	240	120	715	515	310	150
60	300	175	70	–	410	300	180	60	505	350	300	150
70	–	–	–	–	335	240	110	–	430	340	245	150
80	–	–	–	–	240	150	45	–	325	255	175	90
90	–	–	–	–	–	–	–	–	250	195	120	45

**Table III – 2” Single Pipe Deep Well Performance and Ejector Chart - Ejector Package BK4830 or BK4840**

Feet to Water	Model 05SL 1/2 HP				Model 07SL 3/4 HP				Model 10SL 1 HP			
	Pressure in psi				Pressure in psi				Pressure in psi			
	20	30	40	50	20	30	40	50	20	30	40	50
	<b>GPH w/J32P-24 Venturi &amp; #54 Nozzle</b>				<b>GPH w/J32P-32 Venturi &amp; #55 Nozzle</b>				<b>GPH w/J32P-24 Venturi &amp; #54 Nozzle</b>			
30'	580	420	260	125	900	660	400	140	1,070	865	635	385
40	485	325	180	48	720	520	260	–	850	660	445	215
	<b>GPH w/J32P-18 Venturi &amp; #52 Nozzle</b>											
50	275	215	155	100	285	235	185	140	655	480	280	66
60	225	175	120	66	250	200	155	115	330	280	225	180
70	190	135	90	42	215	170	125	80	300	245	195	150
80	–	–	–	–	180	135	95	–	260	210	160	120
90	–	–	–	–	150	105	–	–	225	180	135	90
100	–	–	–	–	120	80	–	–	195	150	105	65
110	–	–	–	–	–	–	–	–	150	110	75	40

**Table IV – Shallow Well Performance and Ejector Chart - Ejector Package BK4855**

Feet to Water	Model 05SL 1/2 HP				Model 07SL 3/4 HP				Model 10SL 1 HP			
	Pressure in psi				Pressure in psi				Pressure in psi			
	20	30	40	50	20	30	40	50	20	30	40	50
	<b>GPH w/N32P-66B Venturi &amp; #45 Nozzle</b>				<b>GPH w/N32P-75B Venturi &amp; #51 Nozzle</b>				<b>GPH w/N32P-67B Venturi &amp; #52 Nozzle</b>			
5'	537	537	469	250	856	856	831	450	900	900	856	787
10	537	537	432	230	787	787	765	414	828	828	787	724
15	430	430	375	200	685	685	665	360	720	720	685	630
20	365	365	319	170	582	582	565	306	612	612	582	535
25	323	323	282	150	513	513	498	270	540	540	513	472

NOTE: psi = Pounds per square inch (pressure).

**Table V – Shallow Well Performance and Ejector Chart - Ejector Package BK4855**

		Model 15SL 1-1/2 HP			
Feet to Water	Pressure in psi				
	20	30	40	50	
<b>GPH w/N32P-69B Venturi &amp; #55 Nozzle</b>					
5'	1,340	1,320	1,295	1,130	
10	1,200	1,190	1,180	1,130	
15	1,025	1,015	995	970	
20	855	845	835	820	
25	615	600	590	575	

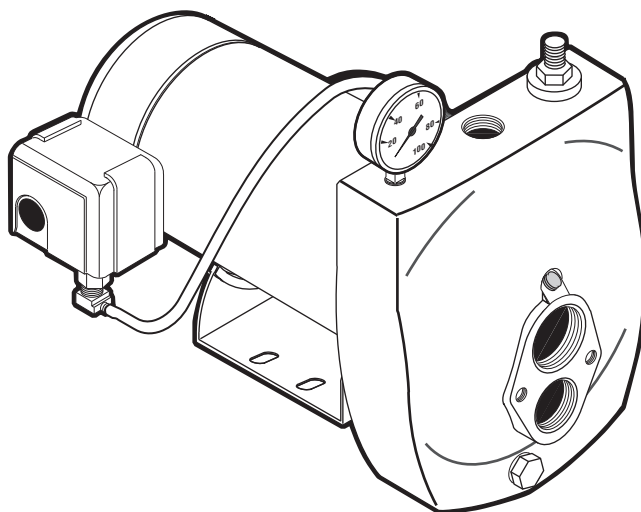
**Table VI – 4" Double Pipe Deep Well Performance and Ejector Chart - Ejector Package BK4800**

		Model 15SL 1-1/2 HP			
Feet to Water	Pressure in psi				
	20	30	40	50	
<b>GPH w/J32P-33 Venturi &amp; #55 Nozzle</b>					
30'	1,490	1,200	925	660	
40	1,310	1,030	760	500	
50	1,160	900	640	400	
<b>GPH w/J32P-29 Venturi &amp; #55 Nozzle</b>					
60	710	620	510	360	
70	640	565	450	310	
80	550	470	355	215	
<b>GPH w/J32P-22 Venturi &amp; #54 Nozzle</b>					
90	400	345	290	230	
100	350	300	250	190	
110	310	265	215	160	

**Table VII – 2" Single Pipe Deep Well Performance and Ejector Chart - Ejector Package BK4830 and BK4840**

		Model 15SL 1-1/2 HP							
Feet to Water	Pressure in psi				Pressure in psi				
	20	30	40	50	20	30	40	50	
		<b>GPH w/J32P-29 Venturi &amp; #54 Nozzle</b>				<b>GPH w/J32P-18 Venturi &amp; #52 Nozzle</b>			
30'	1,115	935	740	520	450	390	340	295	
40	915	745	555	360	405	350	300	255	
50	740	540	385	195	370	325	275	235	
60	585	420	240	66	340	295	250	210	
70	–	–	–	–	305	260	220	180	
80	–	–	–	–	275	235	195	155	
90	–	–	–	–	240	200	165	125	
100	–	–	–	–	215	180	145	105	
110	–	–	–	–	165	135	105	75	
120	–	–	–	–	135	110	80	54	

**NOTE:** psi = Pounds per square inch (pressure).

**BERKELEY®****Série «HL» et «SL»****Installation/Fonctionnement/Pièces**

Pour plus de renseignements concernant l'utilisation, l'installation ou l'entretien,

**Composer le 1 (888) 782-7483**

## LIRE TOUTES CES INSTRUCTIONS ET LES SUIVRE!

**⚠ Ce symbole indique qu'il faut être prudent.**  
Lorsque ce symbole apparaît sur la pompe ou dans cette Notice, rechercher une des mises en garde qui suivent, car elles indiquent un potentiel possible de blessures corporelles :

**⚠ DANGER** avertit d'un danger **qui causera** des blessures corporelles, la mort ou des dommages matériels importants si on l'ignore.

**⚠ AVERTISSEMENT** avertit d'un danger **qui risque** de causer des blessures corporelles, la mort ou des dommages matériels importants si on l'ignore.

**⚠ ATTENTION** avertit d'un danger qui **causera** ou qui **risquera** de causer des blessures corporelles, la mort ou des dommages matériels importants si on l'ignore.

Le mot **NOTA** indique des instructions spéciales et importantes n'ayant aucun rapport avec les dangers.

**Lire attentivement toutes les consignes de sécurité contenues dans cette Notice ou collées sur la pompe.**

Garder les autocollants de sécurité en bon état; les remplacer s'ils manquent ou s'ils ont été endommagés.

### Avertissement lié à la Proposition 65 de la Californie

**⚠ AVERTISSEMENT** Ce produit et les accessoires connexes contiennent des produits chimiques reconnus dans l'État de la Californie comme pouvant provoquer des cancers, des anomalies congénitales ou d'autres dangers relatifs à la reproduction.

**⚠ AVERTISSEMENT**



**Tension dangereuse. Risque de secousses électriques, de brûlures, voire de mort.**

Mettre à la terre la pompe avant de la brancher sur le courant électrique. Couper l'arrivée de courant avant d'intervenir sur la pompe, sur le moteur ou sur le réservoir.

- ⚠ Câbler le moteur en fonction de la bonne tension. Voir la Section «Électricité» de cette Notice et la plaque signalétique du moteur.**
- ⚠ Mettre à la terre le moteur avant de le brancher sur le courant électrique.**
- ⚠ Conforme au Code national de l'électricité, au Code canadien de l'électricité et aux codes municipaux pour tous les câblages.**

**⚠ Respecter les instructions de câblage figurant dans cette Notice lorsque l'on branche le moteur sur une ligne haute tension.**

## SÉCURITÉ CONCERNANT L'ÉLECTRICITÉ

**⚠ AVERTISSEMENT** La tension du condensateur peut être **dangereuse**. Pour décharger le condensateur du moteur, tenir un tournevis à manche isolé **PAR LE MANCHE** et mettre en court-circuit les bornes du condensateur. Ne pas toucher la lame métallique du tournevis ni les bornes du condensateur. En cas de doute, consulter un électricien qualifié.

## SÉCURITÉ GÉNÉRALE

**⚠ ATTENTION** Ne pas toucher un moteur qui fonctionne. Les moteurs modernes peuvent fonctionner à des températures élevées. Pour ne pas se brûler lorsque l'on interviendra sur la pompe, la laisser refroidir pendant 20 minutes après l'avoir arrêtée avant de la toucher.

Ne pas laisser geler la pompe ni aucun autre élément du système, sinon la garantie sera annulée.

Ne pomper que de l'eau avec cette pompe.

Périodiquement, inspecter la pompe et tous les éléments du système.

Toujours porter des lunettes de sécurité lorsque l'on intervient sur une pompe.

Garder la zone de travail propre, non encombrée et bien éclairée; tous les outils et tout l'équipement non utilisés doivent être entreposés correctement.

Ne pas laisser les visiteurs s'approcher de la zone de travail.

**⚠ AVERTISSEMENT** Le corps de la pompe peut exploser si la pompe est utilisée en tant que pompe de surpression, à moins qu'une soupape de sûreté pouvant laisser passer le débit maximum de la pompe à 100 lb/po<sup>2</sup> soit posée.



**⚠ AVERTISSEMENT**

**Pression dangereuse! Poser une soupape de sûreté sur le tuyau de refoulement.**

Dissiper toute la pression du système avant d'intervenir sur un élément.



	Page
Sécurité.....	2
Garantie.....	3
Installations typiques.....	4
Branchements du tuyau de refoulement et sur un réservoir sous pression.....	5
Électricité.....	6, 7
Préparations avant le démarrage de la pompe - Puits profond.....	8
Préparations avant le démarrage de la pompe - Puits peu profond.....	9
Pièces de rechange.....	10,11
Diagnostic des pannes.....	12
Rendement.....	13,14

### Garantie limitée

BERKELEY garantit au consommateur initial (ci-après appelé l'« Acheteur ») que les produits énumérés dans les présentes sont exempts de défaut de matériau et de fabrication pendant la durée des garanties à compter de la durée des garanties indiquées ci-dessous.

Produits	Durée des garanties
<b>Systèmes d'eau :</b>	
Produits de systèmes d'eau — Pompes à éjecteur, petites pompes centrifuges, pompes submersibles et tous les accessoires connexes	<i>Selon le premier terme atteint :</i> 12 mois à compter de la date de la première installation ou 18 mois à compter de la date de fabrication
Réservoirs composites Pro-Source™	5 ans à compter de la date de la première installation
Réservoirs sous pression en acier Pro-Source™	5 ans à compter de la date de la première installation
Réservoirs revêtus d'époxyde Pro-Source™	3 ans à compter de la date de la première installation
Produits de puisard/d'égout/d'effluents	12 mois à compter de la date de la première installation ou 18 mois à compter de la date de fabrication
<b>Agricole/commercial :</b>	
Centrifuges – entraînement par moteur monobloc, monté sur cadre, monté sur SAE, entraînement par moteur à combustion, multiétage vertical, SSCX, SSHM, pompes pour les matières solides, pompes submersibles pour les matières solides	12 mois à compter de la date de la première installation ou 24 mois à compter de la date de fabrication
Turbines submersibles, diamètre de 6 po et plus grand	12 mois à compter de la date de la première installation ou 24 mois à compter de la date de fabrication

Nos garanties limitée ne s'appliquent pas aux produits ayant fait l'objet de négligence, d'une mauvaise utilisation, d'une mauvaise installation ou d'un manque d'entretien adéquat. Sans aucune limitation des présentes, la garantie des moteurs triphasés submersibles sera nulle et non avenue si ces moteurs sont branchés et fonctionnent sur le courant monophasé par l'intermédiaire d'un déphaseur. Il faut également noter que les moteurs triphasés doivent être protégés par un relais de surcharge tripolaire thermocompensé à déclenchement extrêmement rapide du calibre recommandé, sinon la garantie sera nulle et non avenue.

Le seul recours de l'Acheteur et la seule responsabilité de BERKELEY consistent à réparer ou à remplacer (au choix de BERKELEY) les produits qui se révéleraient défectueux. L'Acheteur s'engage à payer tous les frais de main d'œuvre et d'expédition du produit couvert par sa garantie et de s'adresser au concessionnaire-installateur ayant procédé à l'installation dès qu'un problème est découvert pour obtenir un service sous garantie. Aucune demande de service en vertu de sa garantie ne sera acceptée après expiration de la durée de sa garantie. Ces garanties ne sont pas transférables.

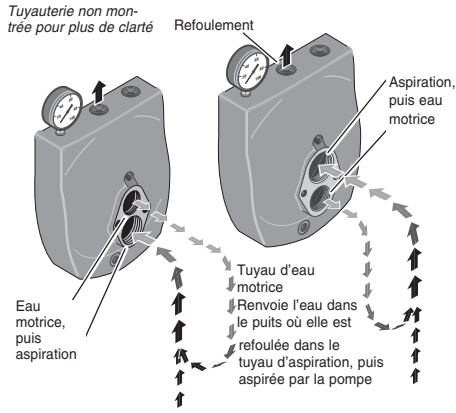
BERKELEY DÉCLINE TOUTE RESPONSABILITÉ POUR TOUT DOMMAGE INDIRECT OU FORTUIT QUEL QU'IL SOIT.

LA GARANTIE LIMITÉE SUSMENTIONNÉE EST EXCLUSIVE ET REMPLACE TOUTES LES AUTRES GARANTIES EXPRESSES ET TACITES, Y COMPRIS, MAIS SANS S'Y LIMITER, LES GARANTIES DE QUALITÉ MARCHANDE ET D'ADAPTATION À UN USAGE PARTICULIER. LA GARANTIE LIMITÉE SUSMENTIONNÉE NE DOIT PAS ÊTRE PROLONGÉE AU-DELÀ DE LA DURÉE PRÉVUE AUX PRÉSENTES.

Certains états, territoires et certaines provinces ne permettent pas l'exclusion ou la limitation des dommages indirects ou fortuits, ni les limitations relatives à la durée des garanties tacites. Par conséquent, il se peut que les limitations ou les exclusions stipulées dans les présentes ne s'appliquent pas dans ce cas. Ces garanties accordent des droits juridiques précis, bien que l'on puisse bénéficier d'autres droits, selon la province, le territoire ou l'état dans lequel on réside.

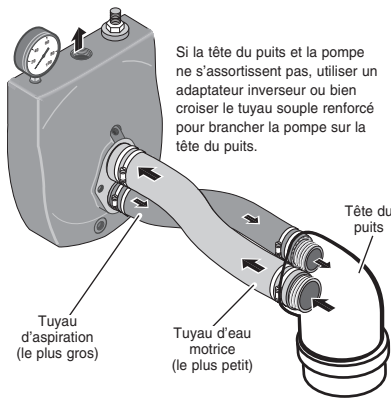
La présente garantie limitée est entrée en vigueur le 1er juin 2011 et remplace toute garantie non datée ou antérieure à cette date.

**Aux États-Unis : BERKELEY, 293 Wright St., Delavan, WI 53115**  
**Au Canada : 269 Trillium Dr., Kitchener, Ontario N2G 4W5**

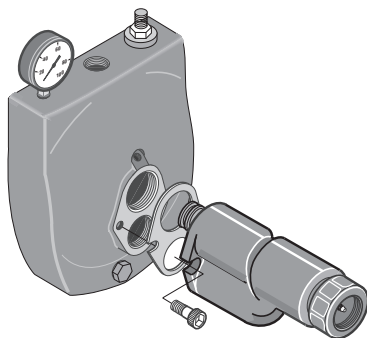


1799 0497

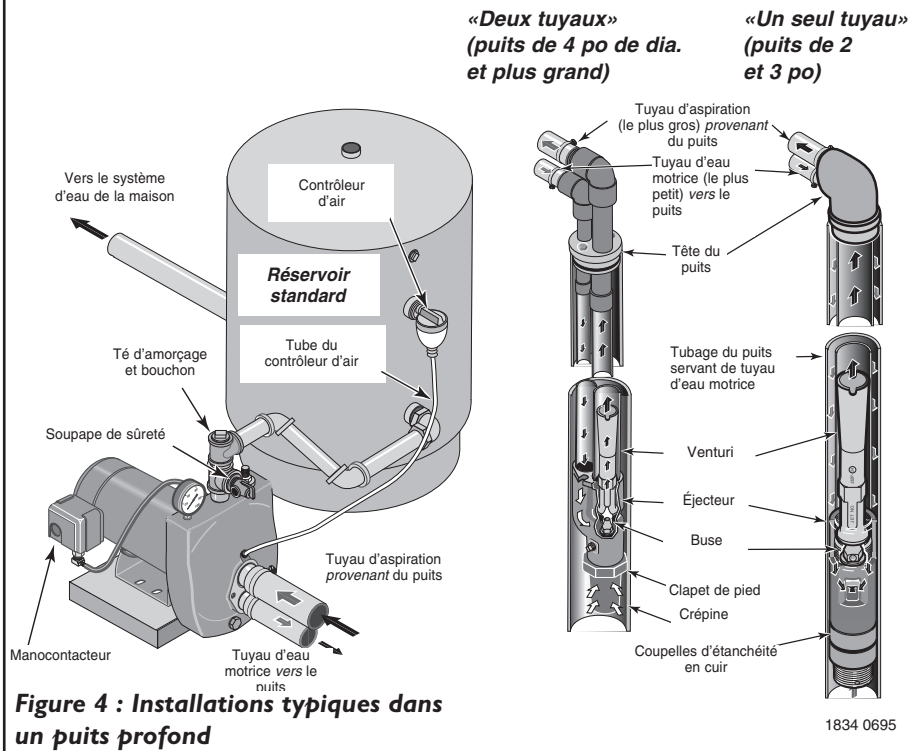
**Figure 1 : Fonctions eau motrice et aspiration**



**Figure 2 : Branchement inversé dans le puits**

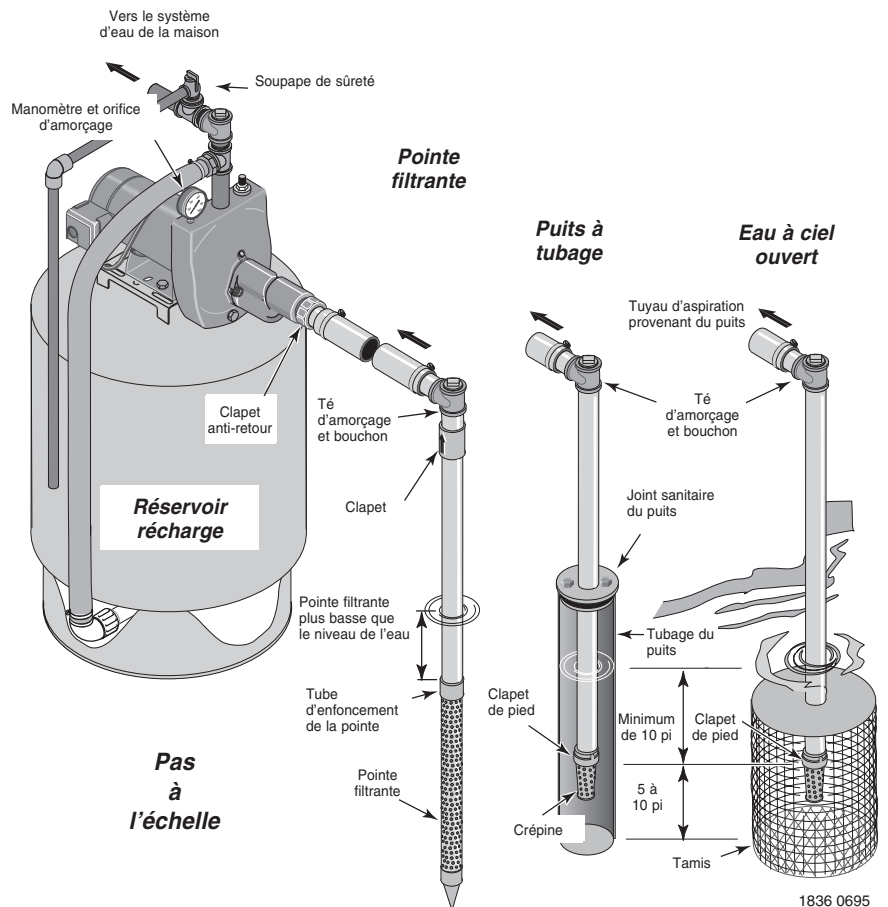


**Figure 3 : Montage de l'éjecteur - puits peu profonds**



**Figure 4 : Installations typiques dans un puits profond**

1834 0695



Pas à l'échelle

**Figure 5 : Installations typiques dans un puits peu profond**

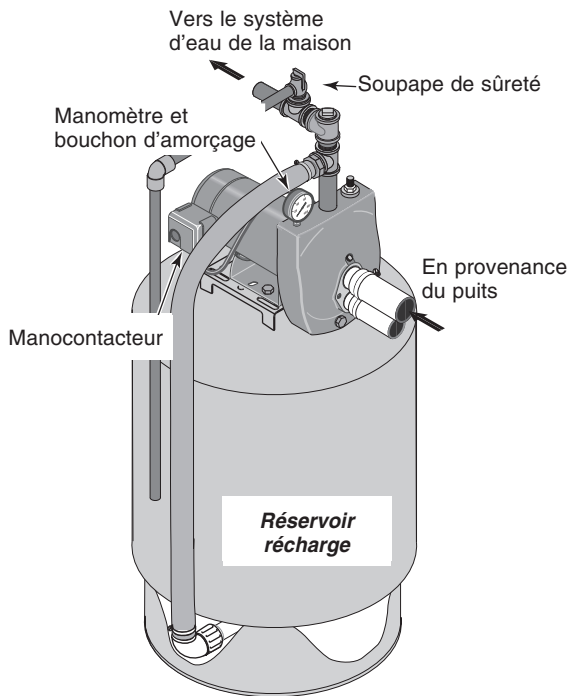
1836 0695

**BRANCHEMENT SUR UN RÉSERVOIR PRÉCHARGÉ (Figure 6)**

Si le système est branché sur un réservoir préchargé, il devra être branché sur la pompe, comme il est illustré à la Figure 6. La soupape de sûreté doit pouvoir laisser passer tout le débit de la pompe à une pression de 100 lb/po<sup>2</sup>.

Vérifier la précharge d'air dans le réservoir avec un manomètre pour pneu. La précharge se mesure *lorsque le réservoir n'est pas sous pression d'eau*. Couper le courant électrique parvenant à la pompe et vider le réservoir avant de vérifier la précharge. Cette pompe neuve est équipée d'un manomètre de 30-50 lb/po<sup>2</sup>; la pression de précharge du réservoir devra donc être réglée à 28 lb/po<sup>2</sup>, ce qui représente 2 lb/po<sup>2</sup> de moins que le réglage de la pression d'enclenchement du manomètre de la pompe.

Aucun contrôleur d'air n'est requis dans le cas d'un réservoir préchargé; l'orifice de 1/8 de pouce NPT prévu pour le contrôleur d'air et pratiqué dans le corps de la pompe devra être bouché.



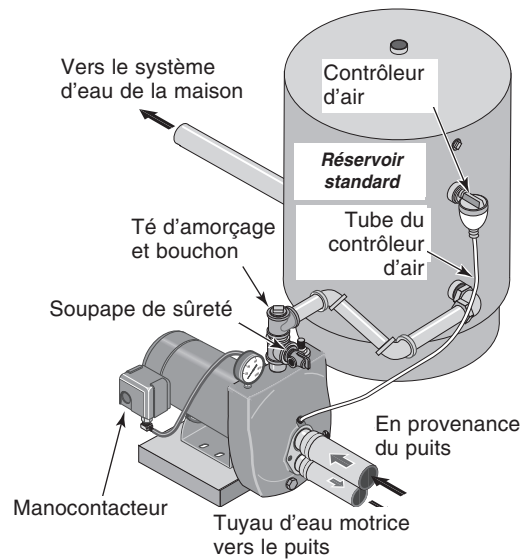
2110 0497

**Figure 6 : Branchements sur un réservoir préchargé**

**BRANCHEMENT SUR UN RÉSERVOIR STANDARD (Figure 7)**

Si le système est branché sur un réservoir standard, le brancher sur la pompe comme il est illustré à la Figure 7. La soupape de sûreté utilisée avec un réservoir standard doit pouvoir laisser passer tout le débit de la pompe à une pression de 75 lb/po<sup>2</sup>.

Brancher le tube du contrôleur d'air sur l'orifice de 1/8 de pouce NPT pratiqué dans le corps de la pompe. Amener le tube de l'orifice du contrôleur d'air de la pompe jusqu'au contrôleur d'air monté sur le réservoir. Pour plus de détails, se reporter aux instructions fournies avec le réservoir et le contrôleur d'air.



**Figure 7 : Branchements sur un réservoir standard**

**Étanchéité des raccords des tuyaux**

Effectuer tous les raccordements filetés à la pompe seulement avec du ruban d'étanchéité en PTFE pour filetage. **Ne pas utiliser de pâte pour raccords filetés sur les pompes en plastique** : cette pâte peut réagir avec les éléments en plastiques de la pompe. S'assurer que tous les raccords du tuyau d'aspiration sont bien étanches, aussi bien à l'air qu'à l'eau. *Si le tuyau d'aspiration aspire de l'air, la pompe ne pompera pas l'eau du puits.*

**⚠** Débrancher le courant électrique avant d'intervenir sur la pompe, le moteur, le manostat ou le câblage.

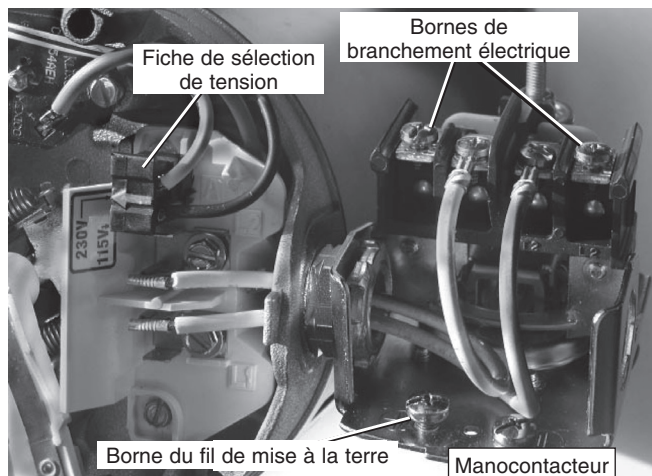
## REGLAGES DE L'INTERRUPTEUR DU MOTEUR

**REMARQUE :** Les moteurs de 1/2 ch sont câblés pour fonctionner sur un courant de 115 volts seulement; il ne faut donc changer aucun câble.

Les plaquettes de connexions des moteurs de 3/4 ch ou de 1 ch (situées sous le couvercle arrière du moteur) ressemblent à l'un des types décrits ci-dessous. Si le moteur peut fonctionner sur courant de 115 ou de 230 volts, il est réglé en usine pour un courant de 230 volts. Ne pas modifier le câblage du moteur si le courant est de 230 volts ou s'il s'agit d'un moteur à une tension.

**⚠ ATTENTION** Ne jamais relier un moteur de 115 volts à une canalisation de 230 volts.

### Sélecteur de tension à fiche



**Figure 8 : Tension réglée à 230 volts sur sélecteur à fiche**

La tension est réglée en usine à 230 volts. Pour passer au courant de 115 volts :

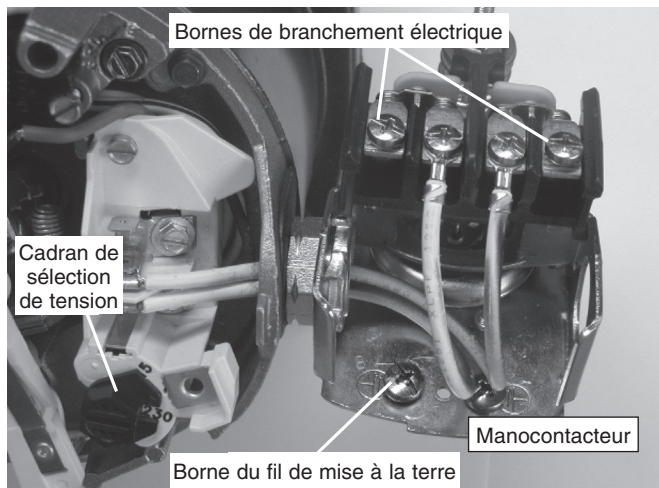
1. S'assurer que le courant est coupé.
2. Décrocher la fiche de sélection de tension de ses pattes.
3. Déplacer la fiche sur le courant de 115 volts. Sur cette position, la fiche couvre 2 pattes métalliques et la flèche sur la prise est alignée sur la flèche **115V** de l'étiquette (figure 9).



**Figure 9 : Tension réglée à 115 volts sur sélecteur à fiche**

4. Fixer les fils d'arrivée de courant aux deux vis extérieures du manostat (figure 8).
5. Relier le fil de terre à l'une des bornes de mise à la terre (figure 8).
6. S'il y a d'autres fils, leurs bouts doivent être isolés.
7. Reposer le couvercle d'extrémité du moteur.

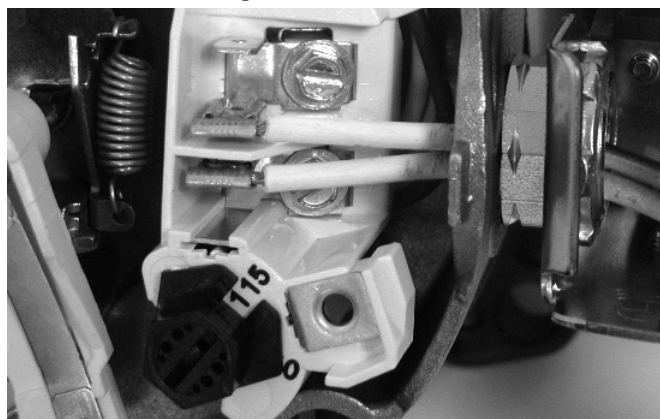
### Sélecteur de tension à cadran



**Figure 10 : Tension réglée à 230 volts sur sélecteur à cadran**

La tension est réglée en usine à 230 volts. Pour passer au courant de 115 volts :

1. S'assurer que le courant est coupé.
2. Tourner le cadran dans le sens des aiguilles d'une montre jusqu'à ce que le nombre 115 soit visible dans la fente du cadran (figure 11).



**Figure 11 : Tension réglée à 115 volts sur sélecteur à cadran**

3. Fixer les fils d'arrivée de courant aux deux vis extérieures du manostat (figure 10).
4. Relier le fil de terre aux bornes de raccord de mise à la terre (figure 10).
5. S'il y a d'autres fils, leurs bouts doivent être isolés.
6. Reposer le couvercle d'extrémité du moteur.

**⚠ AVERTISSEMENT** Tension dangereuse. Risque de secousses électriques, de brûlures, voire la mort. Brancher le fil de terre avant de brancher les fils de tension. Utiliser des fils de calibre spécifié (y compris le fil de terre) dans le tableau de câblage.

Dans la mesure du possible, brancher la pompe sur un circuit séparé, sur lequel aucun autre appareil ne sera branché.

**⚠ AVERTISSEMENT** Risque d'explosion. Ne pas mettre à la terre sur une conduite de gaz.

## CONNEXIONS DES FILS

**⚠ AVERTISSEMENT** Risque d'incendie. L'utilisation d'une mauvaise tension risque de causer un incendie ou d'endommager gravement le moteur et d'annuler la garantie. La tension d'alimentation doit correspondre à  $\pm 10\%$  de la tension figurant sur la plaque signalétique du moteur.

**NOTA :** Les moteurs bi-tension sont câblés à l'usine pour fonctionner sur le 230 volts. Au besoin, recâbler le moteur pour qu'il fonctionne sur le 115 volts, comme il est illustré. Ne pas modifier le câblage des moteurs fonctionnant sur une tension.

Installer la pompe, la mettre à la terre, la câbler et l'entretenir conformément au National Electrical Code (NEC) ou au Code canadien de l'électricité, selon le cas, et conformément à tous les codes et décrets en vigueur de la municipalité.

Consulter l'inspecteur des bâtiments de la localité pour plus de renseignements sur les codes.

## Méthodes de connexion :

- 1 ° Brancher tout d'abord le fil de mise à la terre, comme il est illustré à la Figure 11. Le fil de mise à la terre doit être un fil de cuivre massif d'un diamètre au moins aussi gros que le diamètre des fils de tension.
- 2 ° Il doit y avoir un raccordement en métal solide entre le manostat et le moteur pour une protection à la terre du moteur. Si le manostat n'est pas branché sur le moteur, brancher la vis verte de mise à la terre du manostat sur la vis verte de mise à la terre qui se trouve sous le couvercle du moteur. Utiliser un fil de cuivre massif ayant un diamètre au moins aussi gros que celui des fils de tension.
- 3 ° Brancher le fil de mise à la terre sur le fil de mise à la terre du tableau de distribution, sur un tuyau métallique d'eau enterré, sur le tubage d'un puits en métal ayant au moins 10 pieds (3 mètres) de long, ou sur une électrode de mise à la terre que fournira la compagnie d'électricité.
- 4 ° Brancher les fils de tension sur le manostat, comme il est illustré à la Figure 11.

**Tableau I : Câblage - Câbles et diamètres des fusibles recommandés**

Modèle	ch	Charge max. en ampères	Fusible Intensité en ampères	Distance en pieds (mètres); Diamètre des fils - calibre AWG (mm <sup>2</sup> )				
				0-100 (0-30)	101-200 (31-61)	201-300 (62-91)	301-400 (92-122)	401-500 (123-152)
<b>115 volts :</b>								
5SL	1/2	9.9	15	14(2)	10(5.5)	8(8.4)	8(8.4)	6(14)
5HL	1/2	12.2	20	12(3)	10(5.5)	8(8.4)	6(14)	6(14)
7SL	3/4	12.2	20	12(3)	10(5.5)	8(8.4)	6(14)	6(14)
7HL	3/4	14.8	20	12(3)	8(8.4)	6(14)	6(14)	4(21)
10SL	1	14.8	20	12(3)	8(8.4)	6(14)	6(14)	4(21)
10HL	1	19.9	25	10(5.5)	8(8.4)	6(14)	4(21)	4(21)
15SL	1-1/2	19.9	25	10(5.5)	8(8.4)	6(14)	4(21)	4(21)
<b>230 volts :</b>								
5SL	1/2	5.0	15	14(2)	14(2)	14(2)	14(2)	12(3)
5HL	1/2	6.2	15	14(2)	14(2)	14(2)	12(3)	12(3)
7SL	3/4	6.2	15	14(2)	14(2)	14(2)	12(3)	12(3)
7HL	3/4	7.4	15	14(2)	14(2)	14(2)	12(3)	10(5.5)
10SL	1	7.4	15	14(2)	14(2)	14(2)	12(3)	10(5.5)
10HL	1	9.9	15	14(2)	14(2)	12(3)	10(5.5)	10(5.5)
15SL	1-1/2	9.9	15	14(2)	14(2)	12(3)	10(5.5)	10(5.5)

**⚠ AVERTISSEMENT** Ne jamais faire fonctionner la pompe contre un refoulement fermé, sinon l'eau risque de bouillir à l'intérieur de la pompe, une accumulation dangereuse de pression risque de se produire, un danger d'explosion risque de s'en suivre et les personnes qui manipuleront la pompe pourront peut-être être ébouillantées.

**⚠ ATTENTION** Ne jamais faire fonctionner la pompe à sec. Faire fonctionner la pompe sans eau risque de causer une surchauffe de la pompe, d'endommager les joints et, possiblement, causer des brûlures aux personnes qui manipuleront la pompe. Faire le plein d'eau de la pompe avant de la démarrer.

1 ° Ouvrir au maximum la vanne de réglage (voir la Figure 12), déposer le bouchon d'amorçage de la pompe, puis faire le plein de la pompe, de toutes les tuyauteries entre la pompe et le puits et s'assurer que toutes les tuyauteries du puits sont pleines d'eau. Si un té d'amorçage a été posé sur le tuyau d'aspiration, déposer le bouchon du té et faire le plein de la tuyauterie d'aspiration.

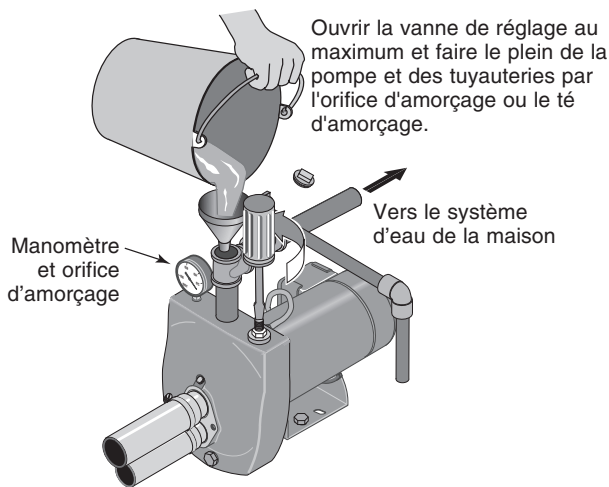


Figure 12 : Remplissage de la pompe

2 ° Reposer tous les bouchons de remplissage et fermer complètement la vanne de réglage (voir la Figure 13).

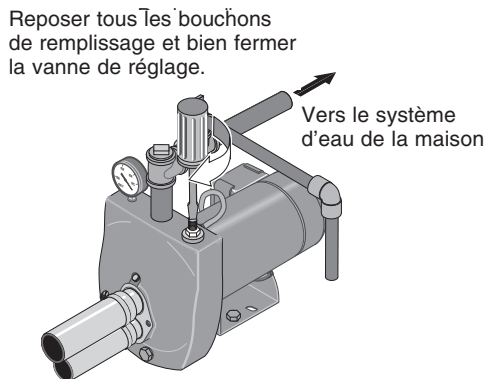


Figure 13 : Amorçage de la pompe

- 3 ° Établir le courant! Démarrer la pompe et surveiller le manomètre. Au fur et à mesure que la pompe s'amorce, la pression doit rapidement monter jusqu'à 50 lb/po<sup>2</sup>.
- 4 ° Après 2 ou 3 minutes, le manomètre doit indiquer la pression. Sinon, arrêter la pompe, déposer les bouchons de remplissage, rouvrir la vanne de réglage et refaire le plein de la pompe et des tuyauteries. Il sera peut-être nécessaire de répéter cette opération deux ou trois fois de façon à chasser tout l'air pouvant être emprisonné dans les tuyauteries. Ne pas oublier de refermer la vanne de réglage avant de redémarrer la pompe.
- 5 ° Lorsque la pression s'est accumulée et stabilisée à environ 50 lb/po<sup>2</sup>, ouvrir lentement la vanne de réglage (voir la Figure 14) et laisser chuter la pression jusqu'à ce que l'aiguille du manomètre commence à osciller. Pendant que l'aiguille oscille, fermer suffisamment la vanne de réglage pour arrêter l'aiguille d'osciller (voir la Figure 14). La pompe fonctionne maintenant à son point le plus efficace.

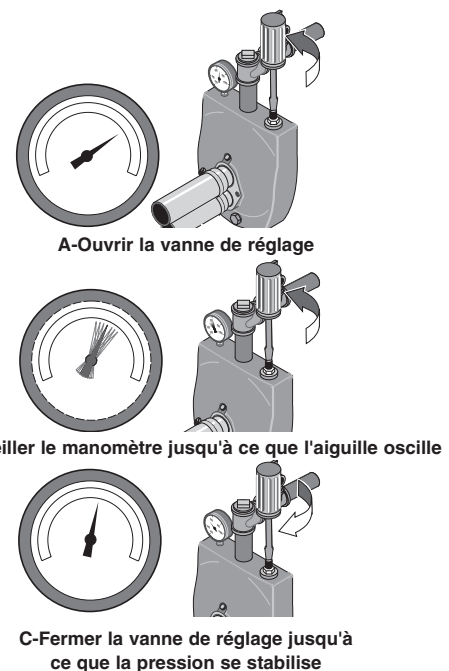


Figure 14 : Régler la vanne de réglage

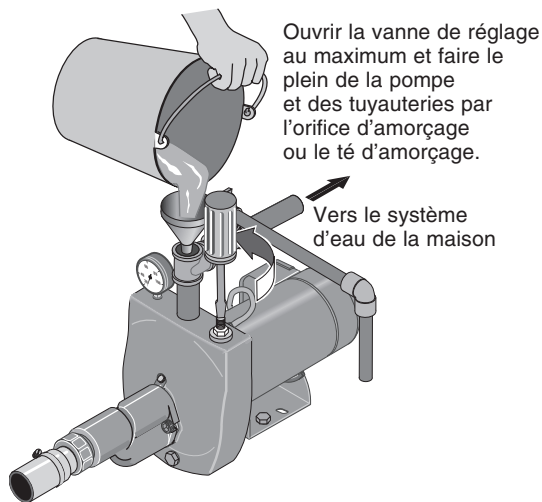
6 ° Après que la pression se sera accumulée dans le système et que la pompe se sera arrêtée, vérifier le fonctionnement du manocontacteur en ouvrant un ou deux robinets du système; laisser couler suffisamment d'eau pour dissiper la pression jusqu'à ce que la pompe redémarré. La pompe doit redémarrer lorsque la pression chute à 30 lb/po<sup>2</sup> et s'arrêter lorsque la pression atteint 50 lb/po<sup>2</sup>. Faire fonctionner la pompe pendant un ou deux cycles complets pour confirmer son bon fonctionnement. Ceci permettra également de nettoyer le système de toute la saleté et de tout le tartre qui se seront détachés pendant l'installation.

**NOTA :** Les éjecteurs packer (puits de 2 pouces et de 3 pouces à un seul tuyau) ne forment pas un joint parfait. Les irrégularités normales du cuir de la coupelle d'étanchéité et de la paroi intérieure du tubage permettront, avec le temps, à la pression de fuir d'un système au repos. La pompe fonctionnera donc périodiquement pour maintenir le niveau de pression du système.

**⚠ AVERTISSEMENT** Ne jamais faire fonctionner la pompe contre un refoulement fermé, sinon l'eau risque de bouillir à l'intérieur de la pompe, une accumulation dangereuse de pression risque de se produire, un danger d'explosion risque de s'ensuivre et les personnes qui manipuleront la pompe pourront peut-être être ébouillantées.

**⚠ ATTENTION** Ne jamais faire fonctionner la pompe à sec. Faire fonctionner la pompe sans eau risque de causer une surchauffe de la pompe, d'endommager les joints et, possiblement, causer des brûlures aux personnes qui manipuleront la pompe. Faire le plein d'eau de la pompe avant de la démarrer.

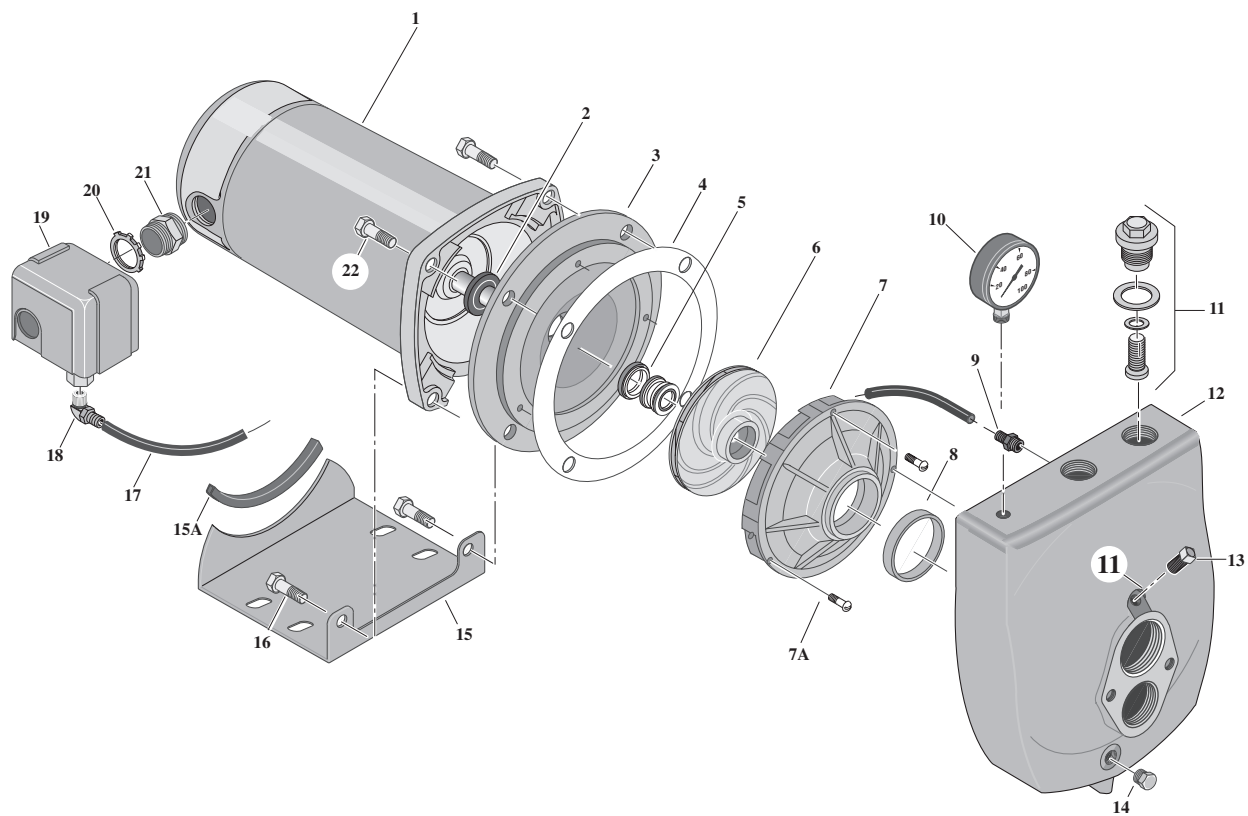
1 ° Ouvrir au maximum la vanne de réglage (voir la Figure 15), déposer le bouchon d'amorçage de la pompe, puis faire le plein de la pompe, de toutes les tuyauteries entre la pompe et le puits et s'assurer que toutes les tuyauteries du puits sont pleines d'eau. Si un té d'amorçage a été posé sur le tuyau d'aspiration, déposer le bouchon du té et faire le plein de la tuyauterie d'aspiration.



2411 0497

Figure 15 : Ouvrir la vanne de réglage

- 2 ° Reposer tous les bouchons filetés. Laisser la vanne de réglage ouverte (dans les puits peu profonds, la vanne de réglage reste toujours ouverte).
- 3 ° Établir le contact! Démarrer la pompe. La pompe doit pomper l'eau dans les deux ou trois minutes qui suivent.
- 4 ° Si la pompe ne pompe pas d'eau dans les 2 ou 3 minutes qui suivent, l'arrêter et déposer les bouchons de remplissage. Faire le plein de la pompe et des tuyauteries. Il faudra peut-être répéter cette opération deux ou trois fois de façon à chasser tout l'air pouvant être emprisonné dans la tuyauterie. La vanne de réglage reste ouverte pendant cette opération.
- 5 ° Après que la pression se sera accumulée dans le système et que la pompe se sera arrêtée, vérifier le fonctionnement du manocontacteur en ouvrant un ou deux robinets du système; laisser couler suffisamment d'eau pour dissiper la pression jusqu'à ce que la pompe redémarré. La pompe doit redémarrer lorsque la pression chute à 30 lb/po<sup>2</sup> et s'arrêter lorsque la pression atteint 50 lb/po<sup>2</sup>. Faire fonctionner la pompe pendant un ou deux cycles complets pour confirmer son bon fonctionnement. Ceci permettra également de nettoyer le système de toute la saleté et de tout le tartre qui se seront détachés pendant l'installation.





## Pièces de rechange - Série "HL" pompes en fonte à éjecteur

Réf.	Désignation des pièces	Qté	5HL 1/2 ch	7HL 3/4 ch	10HL 1 ch
1	Moteur	1	J218-590PKG	J218-596PKG	J218-601PKG
#§2	Déflexeur d'eau	1	17351-0009	17351-0009	17351-0009
3	Plaque d'étanchéité	1	N3-1043P	L3-10	L3-10
#§4	Joint de plaque d'étanchéité	1	N20-35	C20-21	C20-21
#§5	Joint d'arbre	1	U109-6A	U109-6A	U109-6A
#6	Impulseur	1	J105-86P	J105-85P	J105-22PA
#7	Diffuseur	1	L1-48P	L1-47P	L1-23P
7A	Vis à tête ronde de 8-32x3/4 de po	3	-	U30-489SS	U30-489SS
#§8	Bague du diffuseur	1	L21-1	L21-1	L21-1
9	Branchement rapide - droit	1	U11-217P	U11-217P	U11-217P
10	Manomètre	1	U239-2	U239-2	U239-2
11	Vanne de réglage	1	01322	L262-5PS	L262-5PS
12	Corps de la pompe	1	L76-48A	L76-49A	L76-49A
13	Bouchon fileté	1	U78-56ZPS	U78-56ZPS	U78-56ZPS
14	Bouchon de vidange	1	U78-941ZPV	U78-941ZPV	U78-941ZPV
15	Socle	1	J4-9	J104-9C	J104-9C
15A	Support en caoutchouc	1	C35-5	C35-5	C35-5
16	Vis à tête de 3/8-16x1-1/2 po	2	-	U30-76ZP	U30-76ZP
17	Tube de manoccontacteur	1	U37-672P	U37-672P	U37-677P
18	Branchement rapide - coude	1	U11-218P	U11-218P	U11-218P
19	Manoccontacteur	1	U217-1216	U217-1216	U217-1216
20	Contre-écrou	1	U36-112ZP	U36-112ZP	U36-112ZP
21	Raccord	1	L43-5C	L43-5C	L43-5C
22	Vis à tête de 3/8-16x1-1/4 po	†	U30-75ZP (4)	U30-75ZP (2)	U30-75ZP (2)

## NÉCESSAIRES DE RÉPARATION

§	Nécessaire de joints et de bagues d'étanchéité	PP1550	PP1551	PP1551
#	Nécessaire de révision	PP1565	PP1566	PP1564

NOTA : § Font partie du nécessaire de joints et de bagues d'étanchéité.

# Font partie du nécessaire de révision.

(†) La quantité requise est indiquée après le numéro de pièce.

## Pièces de rechange - Série "SL" pompes en fonte à éjecteur

Réf.	Désignation des pièces	Qté	5SL 1/2 ch	7SL 3/4 ch	10SL 1 ch	15SL 1-1/2 ch
1	Moteur	1	J218-582APKG	J218-590PKG	J218-596PKG	J218-601PKG
#§2	Déflexeur d'eau	1	17351-0009	17351-0009	17351-0009	17351-0009
3	Plaque d'étanchéité	1	N3-1043P	N3-1043P	L3-10	L3-10
#§4	Joint de plaque d'étanchéité	1	N20-35	N20-35	C20-21	C20-21
#§5	Joint d'arbre	1	U109-6A	U109-6A	U109-6A	U109-6A
#6	Impulseur	1	J105-40P	J105-86P	J105-85P	J105-22PA
#7	Diffuseur	1	L1-25P	L1-48P	L1-47P	L1-23P
7A	Vis à tête ronde de 8-32x3/4 de po	3	-	-	U30-489SS	U30-489SS
#§8	Bague du diffuseur	1	L21-1	L21-1	L21-1	L21-1
9	Branchement rapide - droit	1	U11-217P	U11-217P	U11-217P	U11-217P
10	Manomètre	1	-	-	-	-
11	Vanne de réglage	1	01322	01322	L262-5PS	L262-5PS
12	Corps de la pompe	1	L76-48A	L76-48A	L76-49A	L76-49A
13	Bouchon fileté	1	U78-56ZPS	U78-56ZPS	U78-56ZPS	U78-56ZPS
14	Bouchon de vidange	1	U78-941ZPV	U78-941ZPV	U78-941ZPV	U78-941ZPV
15	Socle	1	J4-9	J4-9	J104-9C	J104-9C
15A	Support en caoutchouc	1	C35-5	C35-5	C35-5	C35-5
16	Vis à tête de 3/8-16x1-1/2 po	2	-	-	U30-76ZP	U30-76ZP
17	Tube de manoccontacteur	1	U37-676P	U37-677P	U37-672P	U37-677P
18	Branchement rapide - coude	1	U11-218P	U11-218P	U11-218P	U11-218P
19	Manoccontacteur	1	U217-1225	U217-1225	U217-1225	U217-1225
20	Contre-écrou	1	U36-112ZP	U36-112ZP	U36-112ZP	U36-112ZP
21	Raccord	1	L43-5C	L43-5C	L43-5C	L43-5C
22	Vis à tête de 3/8-16x1-1/4 po	†	U30-75ZP (4)	U30-75ZP (4)	U30-75ZP (2)	U30-75ZP (2)

## NÉCESSAIRES DE RÉPARATION

§	Nécessaire de joints et de bagues d'étanchéité	PP1550	PP1550	PP1551	PP1551
#	Nécessaire de révision	PP1560	PP1565	PP1566	PP1564

NOTA : § Font partie du nécessaire de joints et de bagues d'étanchéité.

# Font partie du nécessaire de révision.

(\*) La quantité requise est indiquée après le numéro de pièce.

Symptômes	Quoi faire :
A. Le moteur ne tourne pas.	<p>A. S'assurer que le sectionneur est sur MARCHE et que le disjoncteur ne s'est pas désenclenché ou que le fusible n'a pas sauté.  <b>COUPER LE COURANT D'ALIMENTATION</b> et s'assurer que tous les fils raccordant le moteur au courant d'alimentation et au manocontacteur sont bien serrés et bien branchés (voir la page 6).            Si les remèdes précédents ne permettent pas de résoudre le problème, appeler un spécialiste en puits.</p>
B. Le moteur chauffe et le dispositif de protection contre les surcharges saute.	<p>B. Se reporter aux instructions concernant l'électricité à la page 6 et s'assurer que le moteur est bien câblé.            Vérifier auprès de la compagnie qui fournit l'électricité ou les responsables d'hydro pour s'assurer que la tension parvenant à la pompe correspondent à <math>\pm 10\%</math> de la tension nominale indiquée sur la plaque signalétique du moteur.  <b>DÉBRANCHER LE COURANT D'ALIMENTATION</b> et s'assurer que les fils raccordant le moteur au courant d'alimentation sont du calibre indiqué au Tableau I, de la page 7.            Sinon, recâbler conformément aux instructions de la page 6.            Si la pompe s'arrête ou redémarre trop fréquemment, se reporter à la Section E ci-dessous.</p>
C. Le moteur fonctionne mais l'eau n'est pas pompée*.	<p>C. <b>TOUT D'ABORD</b>, vérifier l'amorçage; c'est-à-dire, que la pompe et que toutes les tuyauteries d'aspiration et du puits sont remplies d'eau. Si elles ne sont pas pleines d'eau, en faire le plein.            Par temps froid, s'assurer que les tuyaux et que la pompe n'ont pas gelé. S'ils sont gelés, les dégeler, s'assurer qu'il n'y a pas de tuyaux ni de raccords éclatés. Chauffer la fosse de la pompe ou l'enceinte de la pompe et enterrer toutes les tuyauteries sous la limite du gel.            Autres causes possibles (dans ce cas, appeler un spécialiste en pompes si l'on soupçonne une de ces causes) : Prises d'air dans la conduite d'aspiration, baisse de niveau d'eau dans le puits, clapet de pied grippé ou bouché, éjecteur bouché, impulseur bouché, clapet de pied ou crépine enfoui dans la boue au fond du puits et pompe pour puits peu profond posée dans un puits dont la profondeur est supérieure à 25 mètres jusqu'à l'eau (dans ce cas, une pompe à éjecteur pour puits profond est requise).</p>
D. La pompe ne pompe pas l'eau à pleine capacité.	<p>D. Causes possibles : Le niveau d'eau dans le puits est inférieur à celui évalué, ce qui rend une combinaison buse/venturi différente obligatoire; tuyauterie en acier (le cas échéant) corrodée ou entartrée, limitant la capacité et augmentant le frottement; ou bien les tuyauteries sont trop petites pour l'installation. Consulter un spécialiste en puits pour toutes ces conditions.</p>
E. La pompe s'arrête et repart trop fréquemment ou bien elle ne s'arrête pas du tout.	<p>E. S'assurer qu'aucun robinet n'a été laissé ouvert.            Si le système fonctionne sur un réservoir standard, s'assurer qu'il n'est pas saturé d'eau. Dans l'affirmative, le vider jusqu'au niveau du contrôleur d'air. S'assurer que le contrôleur d'air n'est pas défectueux et qu'aucun raccord n'aspire de l'air. Si le système est branché sur un réservoir préchargé, <b>couper le courant d'alimentation</b>, ouvrir tous les robinets du système et purger toute la pression du réservoir. Utiliser un manomètre pour pneu pour vérifier la pression d'air dans le réservoir. Elle doit être de 2 lb/po<sup>2</sup> inférieure au réglage d'enclenchement du manocontacteur, c'est-à-dire que si le manocontacteur démarre la pompe à 30 lb/po<sup>2</sup>, la précharge doit être de 28 lb/po<sup>2</sup>. S'assurer que la valve ne fuit pas (utiliser une solution savonneuse) et remplacer l'obus au besoin.            Si l'on pense qu'une des conditions suivantes existent, consulter un spécialiste en puits : fuites des tuyauteries, fuites du clapet de pied, niveau d'eau dans le puits inférieur à celui évalué, éjecteur ou impulseur bouché.</p>
F. L'air jaillit des robinets.	<p>F. La pompe est peut-être en train de s'amorcer. Lorsque l'amorçage est terminé, tout l'air sera éjecté du système.            Si l'on pense que les tuyauteries d'aspiration fuient, qu'il y a des gaz dans le puits, ou que la pompe vide le puits par intermittence (c'est-à-dire qu'elle amène le niveau d'eau plus bas que le clapet de pied, consulter un spécialiste en puits.</p>
G. La pompe fuit autour de serrage.	<p>G. Serrer l'écrou de 1 ou 2 tours. <i>Ne pas trop serrer.</i></p>

**TABLEAU II – Tableau de rendement avec des puits profonds de 4 po à deux tuyaux et des éjecteurs ensemble d'éjecteur BK4800**

Mètres jusqu'à l'eau	Modèle 05SL 1/2 de ch				Modèle 07SL 3/4 de ch				Modèle 10SL 1 de ch			
	Pression en lb/po <sup>2</sup>				Pression en lb/po <sup>2</sup>				Pression en lb/po <sup>2</sup>			
	20	30	40	50	20	30	40	50	20	30	40	50
9	L/h avec venturi J32P-24 et ajutage n° 51				L/h avec venturi J32P-32 et ajutage n° 55				L/h avec venturi J32P-33 et ajutage n° 51			
12	1 987	1 476	927	454	3 406	2 612	1 590	568	4 542	3 463	2 214	681
15	1 476	927	454	–	2 649	2 044	492	–	3 634	2 612	1 363	587
18	1 135	662	265	–	L/h avec venturi J32P-24 et ajutage n° 51				L/h avec venturi J32P-29 et ajutage n° 54			
21	–	–	–	–	1 892	1 457	908	454	2 706	1 949	1 173	568
24	–	–	–	–	1 552	1 135	681	227	1 911	1 325	1 135	568
27	–	–	–	–	L/h avec venturi J32P-24 et ajutage n° 51				L/h avec venturi J32P-24 et ajutage n° 51			
	–	–	–	–	1 268	908	416	–	1 627	1 287	927	568
	–	–	–	–	908	568	170	–	1 230	965	662	341
	–	–	–	–	–	–	–	–	946	738	454	170

**TABLEAU III – Tableau de rendement avec des puits profonds de 2 po à un seul tuyau et des éjecteurs - ensemble d'éjecteur BK4830 et BK4840**

Mètres jusqu'à l'eau	Modèle 05SL 1/2 de ch				Modèle 07SL 3/4 de ch				Modèle 10SL 1 de ch			
	Pression en lb/po <sup>2</sup>				Pression en lb/po <sup>2</sup>				Pression en lb/po <sup>2</sup>			
	20	30	40	50	20	30	40	50	20	30	40	50
9	L/h avec venturi J32P-24 et ajutage n° 54				L/h avec venturi J32P-32 et ajutage n° 55				L/h avec venturi J32P-24 et ajutage n° 54			
12	2 195	1 590	984	473	3 406	2 498	1 514	530	4 050	3 274	2 403	1 457
15	1 836	1 230	681	182	2 725	1 968	984	–	3 217	2 498	1 684	814
18	L/h avec venturi J32P-18 et ajutage n° 52				L/h avec venturi J32P-18 et ajutage n° 52				L/h avec venturi J32P-18 et ajutage n° 52			
21	1 041	814	587	379	1 079	889	700	530	2 479	1 817	1 060	250
24	852	662	454	250	946	757	587	435	1 249	1 060	852	681
27	719	511	341	159	814	643	473	303	1 135	927	738	568
30	–	–	–	–	681	511	360	–	984	795	606	454
33	–	–	–	–	568	397	–	–	852	681	511	341
	–	–	–	–	454	303	–	–	738	568	397	246
	–	–	–	–	–	–	–	–	568	416	284	151

**TABLEAU IV – Tableau de rendement avec des puits peu profonds et des éjecteurs - ensemble d'éjecteur BK4855**

Mètres jusqu'à l'eau	Modèle 05SL 1/2 de ch				Modèle 07SL 3/4 de ch				Modèle 10SL 1 de ch			
	Pression en lb/po <sup>2</sup>				Pression en lb/po <sup>2</sup>				Pression en lb/po <sup>2</sup>			
	20	30	40	50	20	30	40	50	20	30	40	50
1,5	L/h avec venturi N32P-66B et ajutage n° 45				L/h avec venturi N32P-75B et ajutage n° 51				L/h avec venturi N32P-67B et ajutage n° 52			
3	2 033	2 033	1 775	946	3 240	3 240	3 145	1 703	3 407	3 407	3 240	2 979
4,6	2 033	2 033	1 635	871	2 979	2 979	2 896	1 567	3 134	3 134	2 979	2 740
6	1 628	1 628	1 419	757	2 593	2 593	2 517	1 363	2 725	2 725	2 593	2 385
7,6	1 382	1 382	1 207	643	2 203	2 203	2 139	1 158	2 316	2 316	2 203	2 025
	1 223	1 223	1 067	568	1 942	1 942	1 885	1 022	2 044	2 044	1 942	1 787

NOTA : lb/po<sup>2</sup> = livres par pouce carré.

**Table V – Tableau de rendement avec des puits peu profonds et des éjecteurs - ensemble d'éjecteur BK4855**

		Modèle 15SL 1-1/2 de ch			
Mètres jusqu'à l'eau	Pression en lb/po <sup>2</sup>				
	20	30	40	50	
<b>L/h avec venturi N32P-69B et ajutage n° 55</b>					
1,5	5 072	4 996	4 902	4 277	
3,0	4 542	4 504	4 466	4 277	
4,6	3 880	3 842	3 766	3 671	
6,1	3 236	3 198	3 160	3 104	
7,6	2 328	2 271	2 233	2 176	

**Table VI – Tableau de rendement avec des puits profonds de 4 po à deux tuyaux et des éjecteurs ensemble d'éjecteur BK4800**

		Modèle 15SL 1-1/2 de ch			
Mètres jusqu'à l'eau	Pression en lb/po <sup>2</sup>				
	20	30	40	50	
<b>L/h avec venturi J32P-33 et ajutage n° 55</b>					
9	5 640	4 542	3 501	2 498	
12	4 959	3 899	2 877	1 893	
15	4 391	3 406	2 422	1 514	
<b>L/h avec venturi J32P-29 et ajutage n° 55</b>					
18	2 687	2 347	1 930	1 363	
21	2 422	2 139	1 703	1 173	
24	2 082	1 779	1 344	814	
<b>L/h avec venturi J32P-22 et ajutage n° 54</b>					
27	1 514	1 306	1 098	871	
30	1 325	1 136	946	719	
33	1 173	1 003	814	606	

**Table VII – Tableau de rendement avec des puits profonds de 2 po à un seul tuyau et des éjecteurs - ensemble d'éjecteur BK4830 et BK4840**

		Modèle 15SL 1-1/2 de ch							
Mètres jusqu'à l'eau	Pression en lb/po <sup>2</sup>				Pression en lb/po <sup>2</sup>				
	20	30	40	50	20	30	40	50	
		<b>L/h avec venturi 32P-29 et ajutage n° 54</b>				<b>L/h avec venturi J32P-18 et ajutage n° 52</b>			
9	4 220	3 539	2 801	1 968	1 703	1 476	1 287	1 117	
12	3 463	2 820	2 101	1 363	1 533	1 325	1 136	965	
15	2 801	2 044	1 457	738	1 400	1 230	1 041	889	
18	2 214	1 590	908	250	1 287	1 117	946	795	
21	–	–	–	–	1 154	984	833	681	
24	–	–	–	–	1 041	889	738	587	
27	–	–	–	–	908	757	625	473	
30	–	–	–	–	814	681	549	397	
33	–	–	–	–	625	511	397	284	
36	–	–	–	–	511	416	303	204	

NOTA : lb/po<sup>2</sup> = livres par pouce carré.