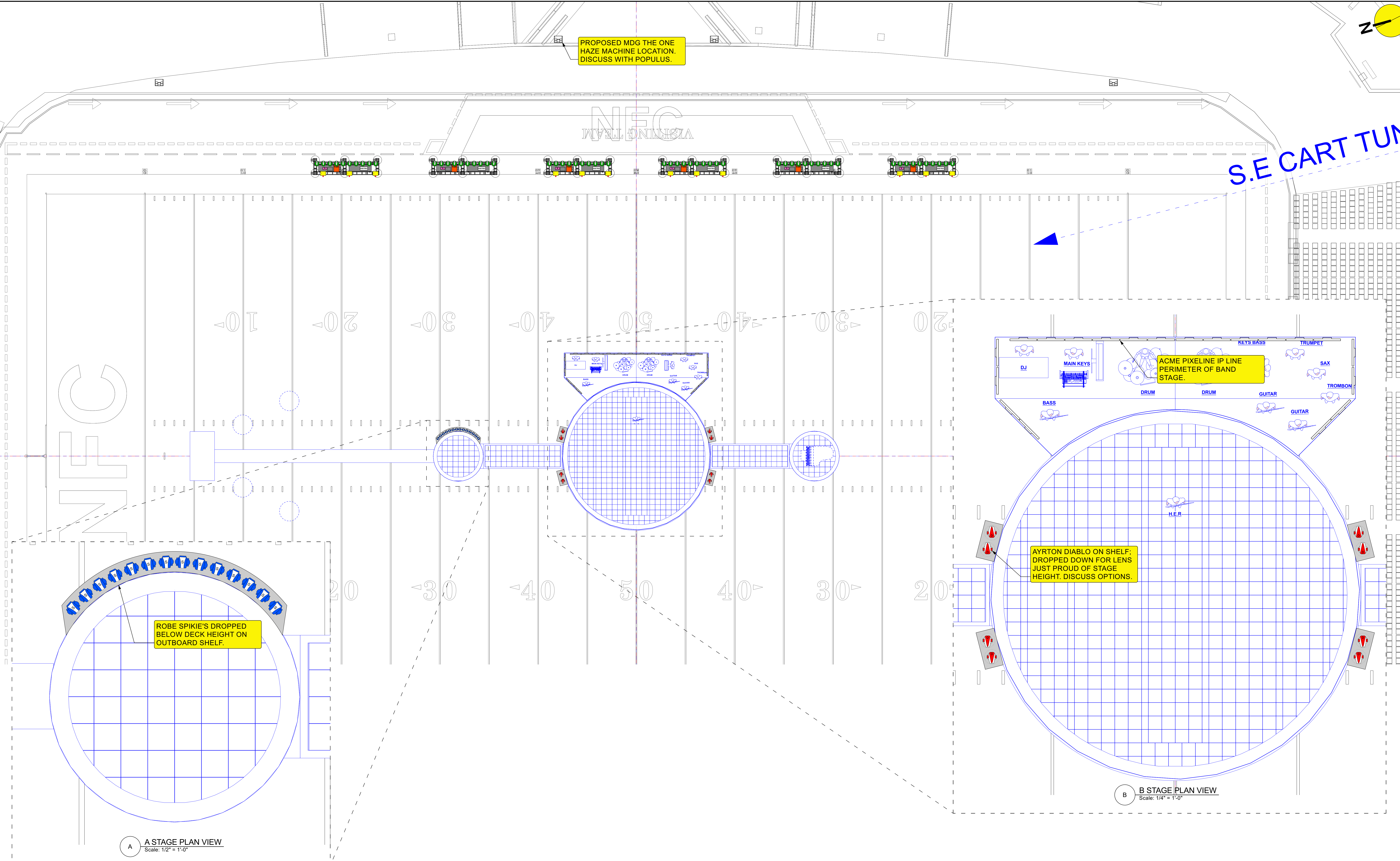


PROPOSED MDG THE ONE
HAZE MACHINE LOCATION.
DISCUSS WITH POPULUS.

S.E. CART TURN

INSTRUMENT KEY

- Philips VaroLine VL3600 Profile @ 1.475kw
- PRG Icon Edge @ 650w
- Ayrton Diablo @ 550w
- Robe Robin 1200 LED Wash @ 680w
- Robe Robin Spikie @ 200w
- TMB Solars Flare @ 1kw
- PRG GC Longthrow @ 1.5kw
- MDG The One Touring @ 700w
- ReelFX DF-50
- ReelFX RE 5 Fan @ 2.5kw
- GLP Impression X4 Bar 20 @ 450w
- ACME Pixel Line IP @ 420 w



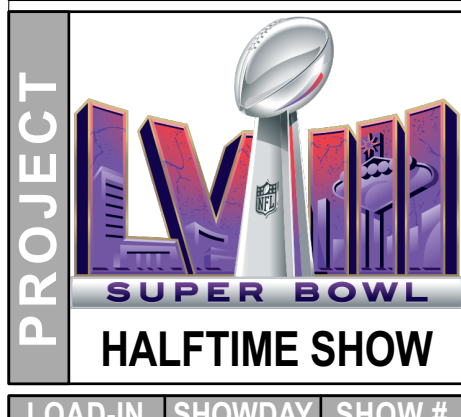
A STAGE PLAN VIEW
Scale: 1/2" = 1'-0"

B STAGE PLAN VIEW
Scale: 1/4" = 1'-0"

ROBE SPIKIE'S DROPPED
BELOW DECK HEIGHT ON
OUTBOARD SHELF.

AYRTON DIABLO ON SHELF,
DROPPED DOWN FOR LENS
JUST PROUD OF STAGE
HEIGHT. DISCUSS OPTIONS.

VENUE
ALLEGHANT STADIUM
LAS VEGAS, NV



PROJECT
SUPER BOWL
HALFTIME SHOW

REVISIONS
01/22/2024 02/11/24 #2405

DESIGNER GURDON
LEAD L.D. GREEN / FORSTER
DRAFTER SIKEL
PROG. 1 MARCHWINSKI
PROG. 2 HUMPHREY
LEAD TECH MINNOTTE

VERSION
01: PRELIMINARY
02: RIGGING UPD 12/2/23
03: RIGGING UPD 12/19/23
04: FIELD UPD 12/19/23
05: CARTS UPD 12/19/23
06: RIGGING UPD 12/26/23
07: FOR ADD 01/01/24

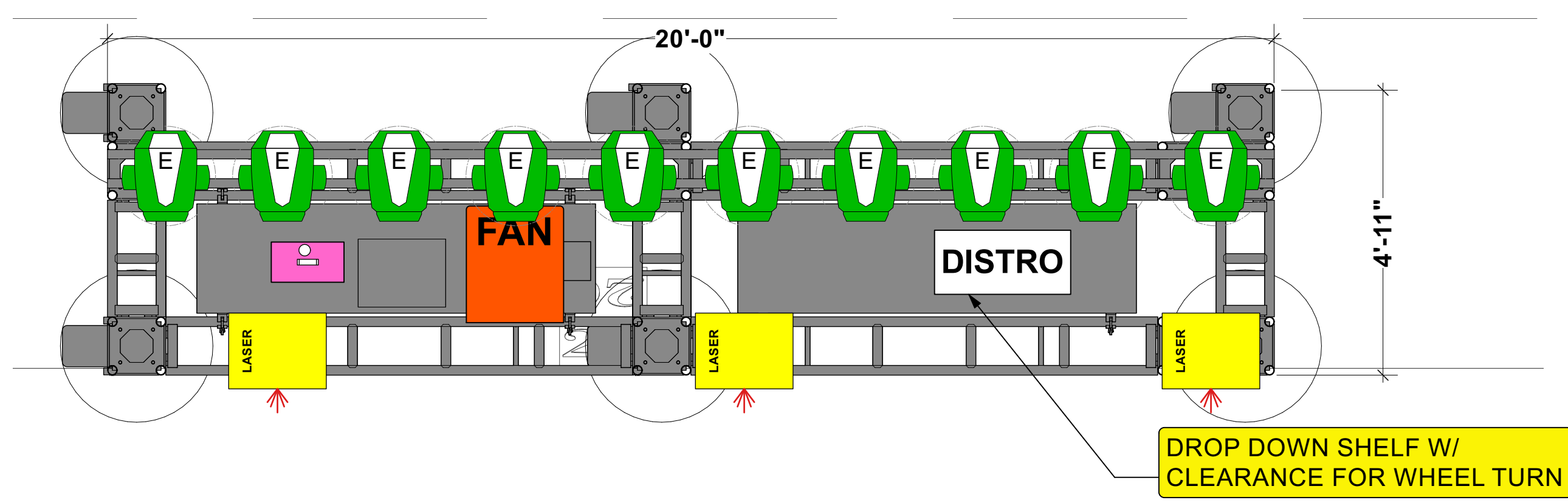
PRINT ARCH E SHEET
DRAWN BY: BEG SCALE: AS NOTED

CONTENTS
LX-00: COVER
LX-01: SITE OVERVIEW
LX-02: GRID
LX-03: FOLLOWSPOTS
LX-04: N / S FIELD TRUSS
LX-05: E / W FIELD TRUSS
LX-06: LEVEL 400 TRUSS
LX-07: LEVEL 200 BRACKETS
LX-08: LEVEL 100 BRACKETS
LX-09: LEVEL 100 CONTO
LX-10: FIELD LAYOUT
LX-11: SECTION N / S
LX-12: SECTION E / W

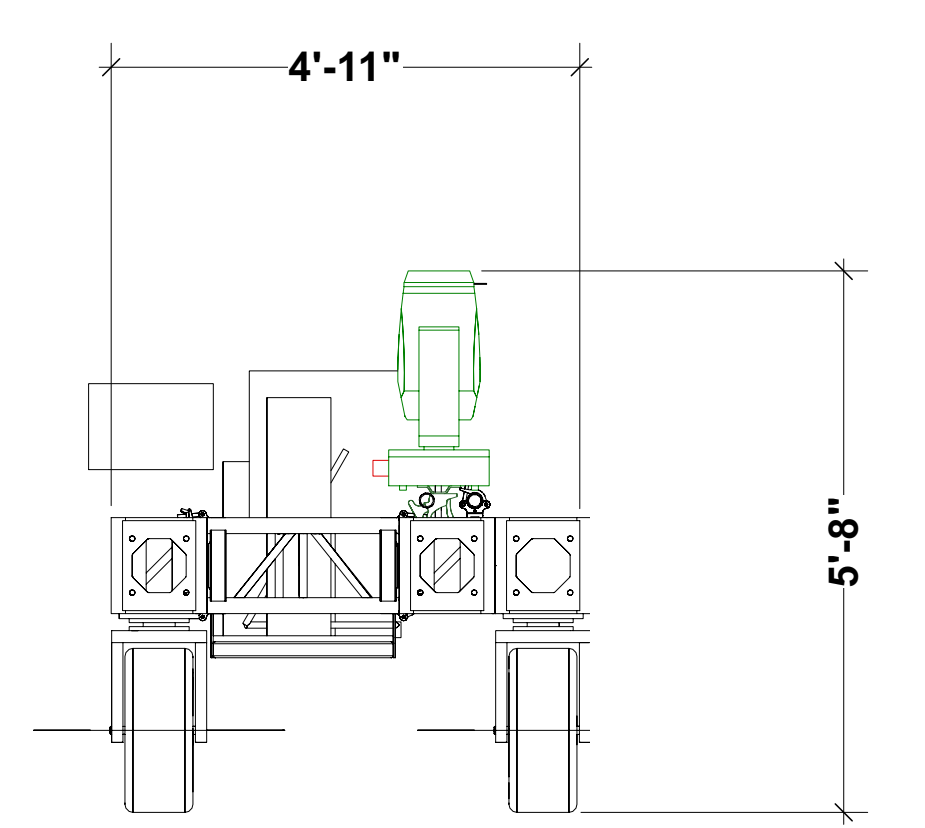
SHEET #
LX-10

PUBLISH DATE
01/10/2024

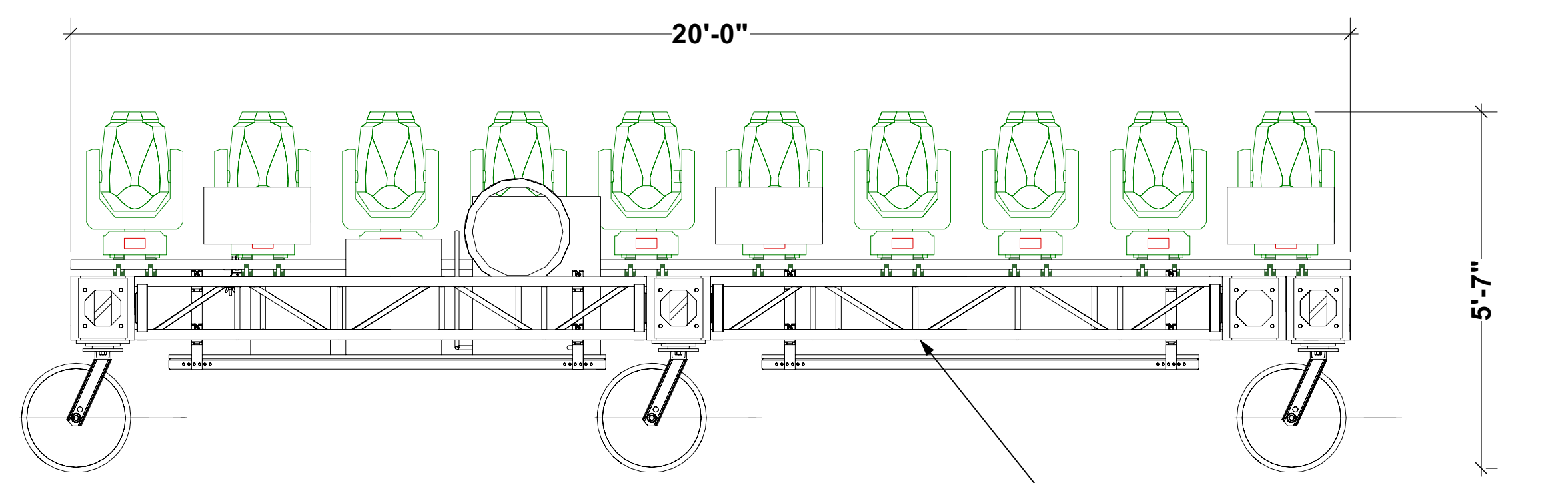
FIELD LAYOUT



C1 EAST SIDELINE CART TYPICAL PLAN
Scale: 1/2" = 1'-0"



C2 EAST SIDELINE CART TYPICAL SIDE VIEW
Scale: 1/2" = 1'-0"



C3 EAST SIDELINE CART TYPICAL FRONT VIEW
Scale: 1/2" = 1'-0"

DROP DOWN SHELF W/
CLEARANCE FOR WHEEL TURN

DROP DOWN SHELF W/
CLEARANCE FOR WHEEL TURN