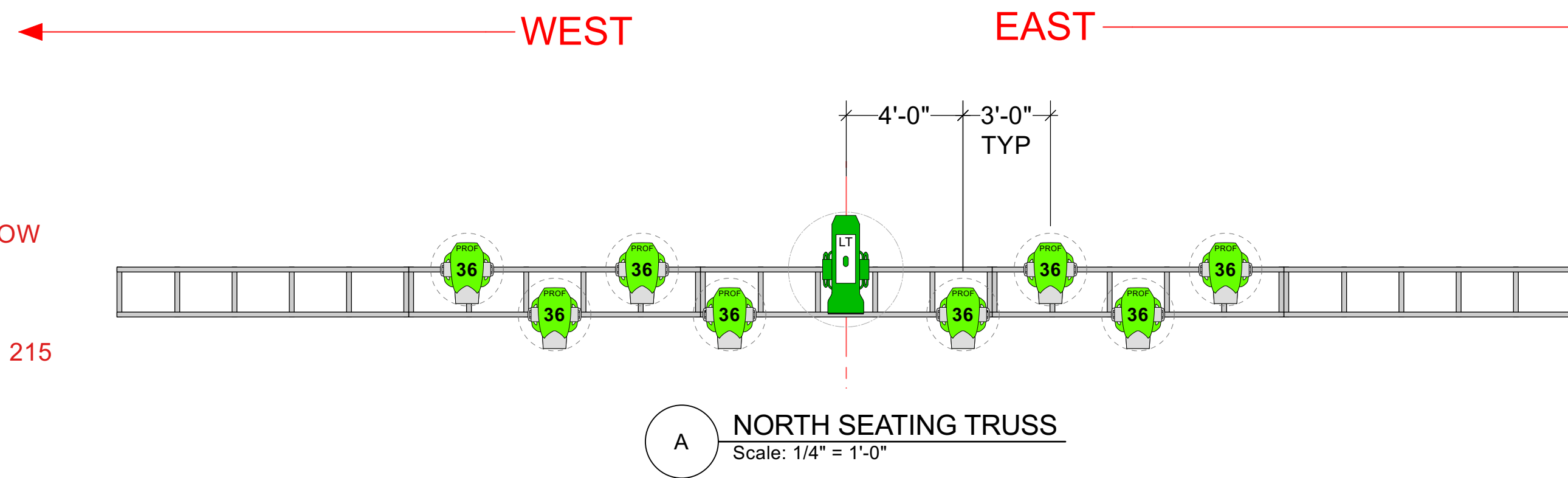
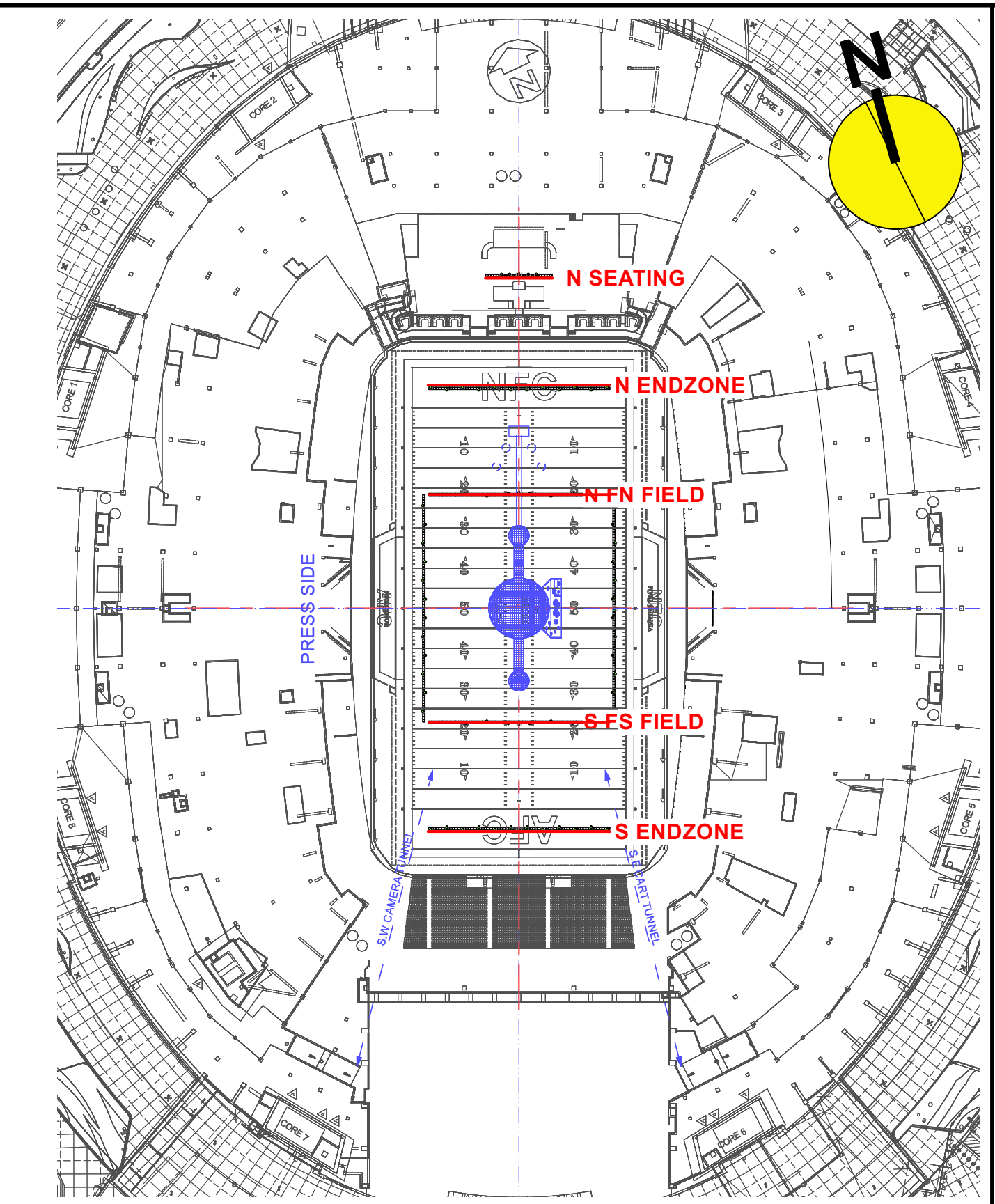


NORTH SEATING TRUSS:
 - 50' x 20.5" x 20.5" BOX TRUSS BLACK
 - (8) VARI-LITE VL3600 PROFILE
 - (1) PRG BEST BOY GROUND CONTROL LONG THROW

FIXTURE WEIGHT:
 - (8) VL3600 @ 115lbs/ea: 920 lbs
 - (1) GROUND CONTROL LONG THROW @ 215lbs/ea: 215
 Total: 1,135 lbs



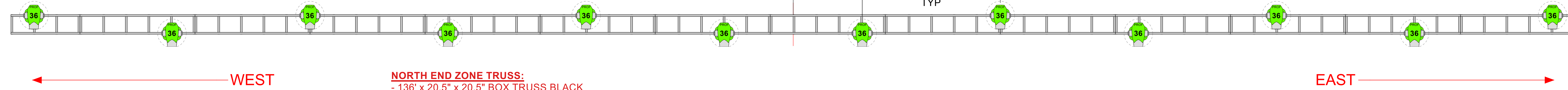
A NORTH SEATING TRUSS
 Scale: 1/4" = 1'-0"



ENTERTAINMENT DESIGN GROUP
 Please recycle this paper.

INSTRUMENT KEY

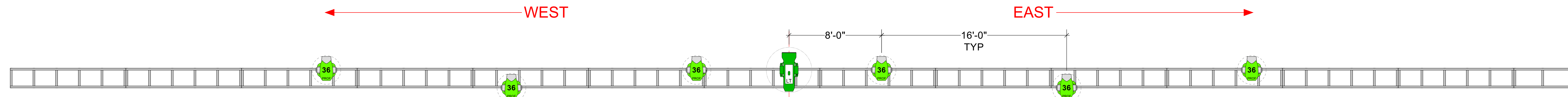
- Philips Vari-Lite VL3600 Profile @ 1.475w
- PRG Icon Edge @ 550w
- Ayrton Diablo @ 550w
- Robe Robin 1200 LED Wash @ 680w
- Robe Robin Spikie @ 200w
- TMB Solaris Flare @ 1kw
- PRG GC Longthrow @ 1.5kw
- MDG The One Touring @ 700w
- ReelEFX DP-50
- ReelEFX RE 5 Fan @ 2.5kw
- GLP Impression X4 Bar 20 @ 450w
- ACME Pixel Line IP @ 420 w



NORTH END ZONE TRUSS:
 - 136' x 20.5" x 20.5" BOX TRUSS BLACK
 - (12) VARI-LITE VL3600 PROFILE

FIXTURE WEIGHT:
 - (12) VL3600 @ 115lbs/ea: 1,380 lbs

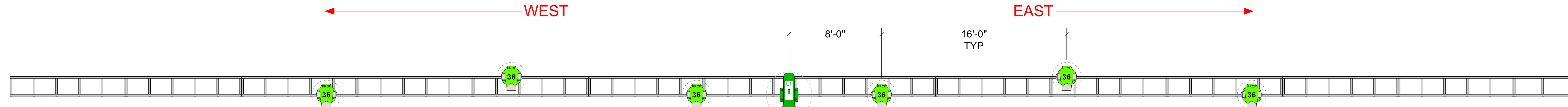
B NORTH END ZONE TRUSS
 Scale: 1/4" = 1'-0"



NORTH FIELD TRUSS:
 - 135' x 20.5" x 20.5" BOX TRUSS BLACK
 - (6) VARI-LITE VL3600 PROFILE
 - (1) PRG BEST BOY GROUND CONTROL LONG THROW

FIXTURE WEIGHT:
 - (6) VL3600 @ 115lbs/ea: 690 lbs
 - (1) GROUND CONTROL LONG THROW @ 215lbs/ea: 215
 Total: 905 lbs

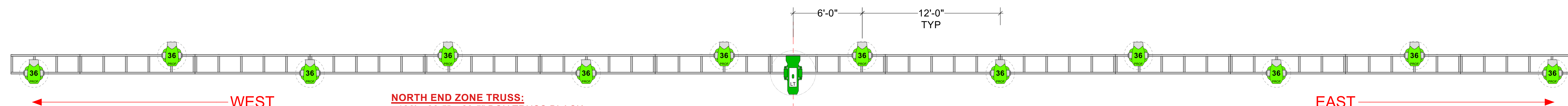
C NORTH FIELD TRUSS
 Scale: 1/4" = 1'-0"



SOUTH FIELD TRUSS:
 - 135' x 20.5" x 20.5" BOX TRUSS BLACK
 - (6) VARI-LITE VL3600 PROFILE
 - (1) PRG BEST BOY GROUND CONTROL LONG THROW

FIXTURE WEIGHT:
 - (6) VL3600 @ 115lbs/ea: 690 lbs
 - (1) GROUND CONTROL LONG THROW @ 215lbs/ea: 215
 Total: 905 lbs

D SOUTH FIELD TRUSS
 Scale: 1/4" = 1'-0"



NORTH END ZONE TRUSS:
 - 136' x 20.5" x 20.5" BOX TRUSS BLACK
 - (12) VARI-LITE VL3600 PROFILE
 - (1) PRG BEST BOY GROUND CONTROL LONG THROW

FIXTURE WEIGHT:
 - (12) VL3600 @ 115lbs/ea: 1,380 lbs
 - (1) GROUND CONTROL LONG THROW @ 215lbs/ea: 215
 Total: 1,595 lbs

E SOUTH END ZONE TRUSS
 Scale: 1/4" = 1'-0"

VENUE
 ALLEGIANT STADIUM
 LAS VEGAS, NV

PROJECT
 SUPER BOWL
 HALFTIME SHOW

REVISIONS

NO.	DATE	DESCRIPTION
01	01/22/2024	PRELIMINARY
02	02/11/24	RIGGING UPD 12/2023
03	02/11/24	RIGGING UPD 12/19/23
04	02/11/24	FIELD UPD 12/19/23
05	02/11/24	CURTAIN UPD 12/19/23
06	02/11/24	RIGGING UPD 12/26/23
07	02/11/24	FOR ADD 01/01/24

DESIGNER GURDON
LEAD L.D. GREEN / FORSTER
OFFER SIKEL
PROG. 1 MARCHWINSKI
PROG. 2 HUMPHREY
LEAD TECH MINNOTTE

PRINT ARCH E SHEET
 SCALE: AS NOTED

CONTENTS

- LX-00: COVER
- LX-01: SITE OVERVIEW
- LX-02: GRID
- LX-03: FOLLOWSPOTS
- LX-04: N / S FIELD TRUSS
- LX-05: E / W FIELD TRUSS
- LX-06: LEVEL 400 TRUSS
- LX-07: LEVEL 200 BRACKETS
- LX-08: LEVEL 100 BRACKETS
- LX-09: LEVEL 100 CONTD
- LX-10: FIELD LAYOUT
- LX-11: SECTION N / S
- LX-12: SECTION E / W

SHEET #
 LX-04

PUBLISH DATE
 01/10/2024

N/S FIELD TRUSS