

- ROBE BMFL FOLLOWSPOT @ 1700W
- VARI'LITE VLZ PROFILE @ 620W
- ROBE MEGA POINTE @ 470W
- MARTIN VIPER WASH DX @ 1000W
- AYRTON MAGICPANEL-FX
- AYRTON WILDSUN-K25 @ 2750W
- AYRTON MAGICDOT-SX @ 130W
- ROBE SPIDER @ 600W
- CLAY PAKY SHARPY @ 189W
- GLP JDC1 STROBE @ 1200W
- ETC SOURCE FOUR 10 DEG.
- ETC SOURCE PAR @ 750W

NOTES:

THIS IS THE HANG PLOT.

THIS IS A LIGHTING PLOT, IT IS NOT A COMPREHENSIVE DETAIL OF ALL SHOW ELEMENTS. SOME SET AND/OR STRUCTURAL ELEMENTS HAVE BEEN REMOVED TO ENSURE THE LIGHTING CAN BE SHOWN AS CLEARLY AS POSSIBLE.

HOWEVER, THE COMPLETE INVENTORY OF FIXTURES CURRENTLY REQUIRED TO REALIZE THE DESIGN ARE INCLUDED IN THE DOCUMENTATION. SEE THE INSTRUMENT SCHEDULE AND INSTRUMENT COUNT.

THIS LIGHTING PLOT CAN BE USED TO VALIDATE CIRCUITING, COORDINATE WITH OTHER DEPARTMENTS AND FOR PATCHING PURPOSES (SOFT AND HARD).

- KEY (MOVING LIGHTS)**
- 123 — SPOT #
 - 1 — UNIT #
- KEY (CONVENTIONAL)**
- R119 — COLOUR
 - GOBO
 - 1 — UNIT #
 - 750 — WATTAGE
 - 456 — DIMMER
 - 123 — CHANNEL



PROJECT

RUN

THE FIRST LIVE ACTION THRILLER BY CIRQUE DU SOLEIL

LIGHTING DESIGNER
DAVID FINN
ASSOC. LIGHTING DESIGNER
TIM REED

REVISION HISTORY

No	DESCRIPTION TYPE	DATE	BY
004	PRELIM HANG	2019/04/29	JRH
010	FINAL HANG	2019/05/01	JRH

SHOW 2D PLAN

GENERAL LIGHTING PLOT

VARIANT

FILE NAME: CDS-0281155_HANG_PLOT.dwg

PRODUCTION CATEGORY
GENERAL CONCEPT

ELEMENT
PRODUCTION

SUB-ELEMENT
LIGHTING

PROJECT MANAGER 1
JOSHUA HIND

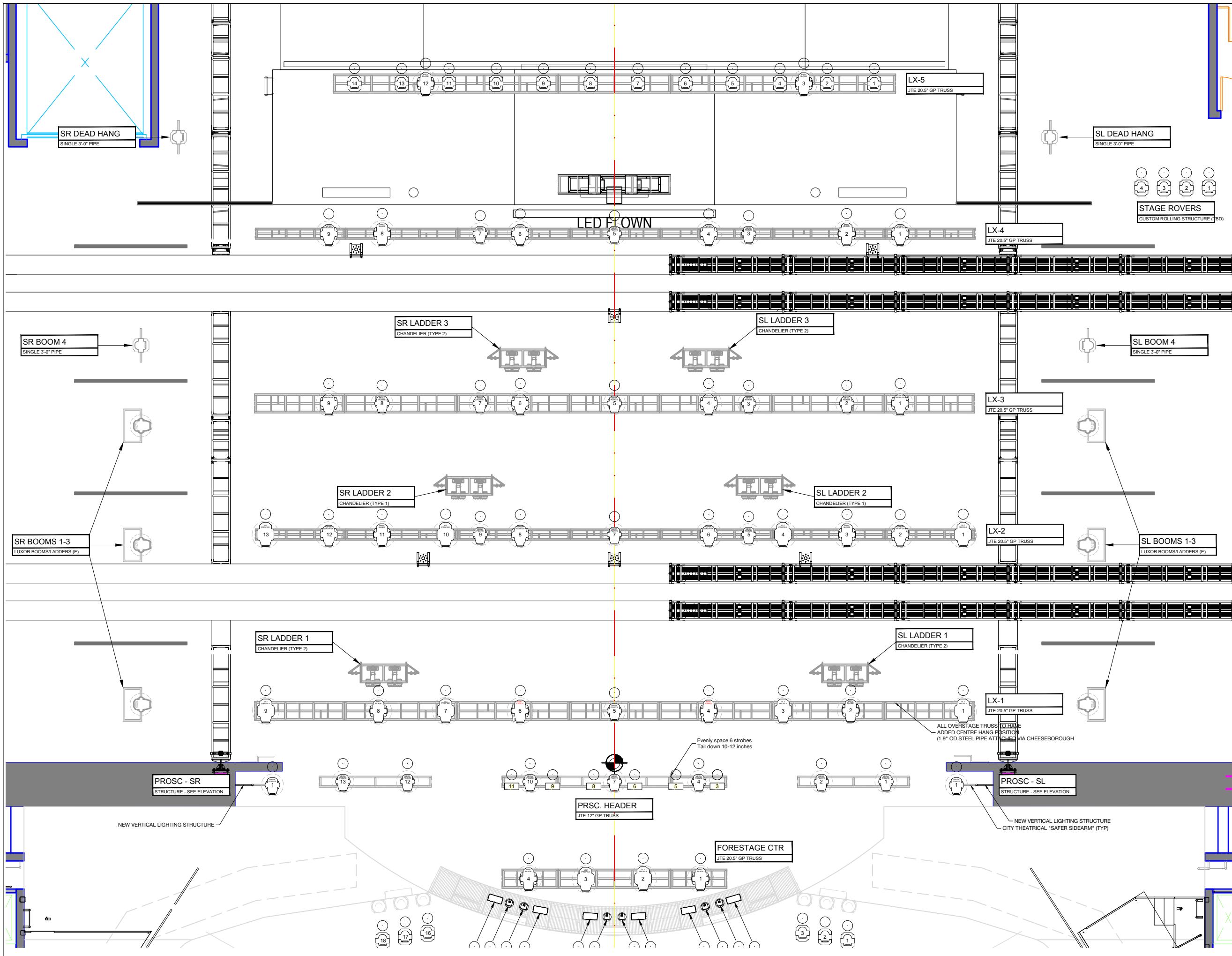
LIGHTING PROGRAMMER(S)
BENNY KIRKHAM, JOSHUA KOFFMAN

HUMMINGBIRD NO. —

DRAWING STATUS
HANG PLOT

DRAWN BY R. BENOIT, J. HIND	DATE 2019/05/01
LAST MODIFIED BY J. HIND	DATE 2021/12/11
APPROVED BY	DATE

SHEET NUMBER 01-BIG	SCALE 1/16"=1'-0"	B
DOC ID NUMBER CDS-0281155	REVISION 11	



- ROBE BMFL FOLLOWSPOT @ 1700W
- VARI'LITE VLZ PROFILE @ 620W
- ROBE MEGA POINTE @ 470W
- MARTIN VIPER WASH DX @ 1000W
- AYRTON MAGICPANEL-FX
- AYRTON WILDSUN-K25 @ 2750W
- AYRTON MAGICDOT-SX @ 130W
- ROBE SPIDER @ 600W
- CLAY PAKY SHARPY @ 189W
- GLP JDC1 STROBE @ 1200W
- ETC SOURCE FOUR 10 DEG.
- ETC SOURCE PAR @ 750W

NOTES:

THIS IS THE HANG PLOT.

THIS IS A LIGHTING PLOT, IT IS NOT A COMPREHENSIVE DETAIL OF ALL SHOW ELEMENTS. SOME SET AND/OR STRUCTURAL ELEMENTS HAVE BEEN REMOVED TO ENSURE THE LIGHTING CAN BE SHOWN AS CLEARLY AS POSSIBLE.

HOWEVER, THE COMPLETE INVENTORY OF FIXTURES CURRENTLY REQUIRED TO REALIZE THE DESIGN ARE INCLUDED IN THE DOCUMENTATION. SEE THE INSTRUMENT SCHEDULE AND INSTRUMENT COUNT.

THIS LIGHTING PLOT CAN BE USED TO VALIDATE CIRCUITING, COORDINATE WITH OTHER DEPARTMENTS AND FOR PATCHING PURPOSES (SOFT AND HARD).

- KEY (MOVING LIGHTS)**
- 123 SPOT #
 - 1 UNIT #
- KEY (CONVENTIONAL)**
- R119 COLOUR
 - GOGO
 - 1 UNIT #
 - 750 WATTAGE
 - 456 DIMMER
 - 123 CHANNEL



PROJECT

THE FIRST LIVE ACTION THRILLER
BY CIRQUE DU SOLEIL

LIGHTING DESIGNER
DAVID FINN
ASSOC. LIGHTING DESIGNER
TIM REED

REVISION HISTORY			
No	DESCRIPTION TYPE	DATE	BY
004	PRELIM HANG	2019/04/29	JRH
010	FINAL HANG	2019/05/01	JRH

SHOW 2D PLAN

OVER STAGE LIGHTING PLAN

FILE NAME: CDS-0281155_HANG PLOT.dwg

PRODUCTION CATEGORY
GENERAL CONCEPT

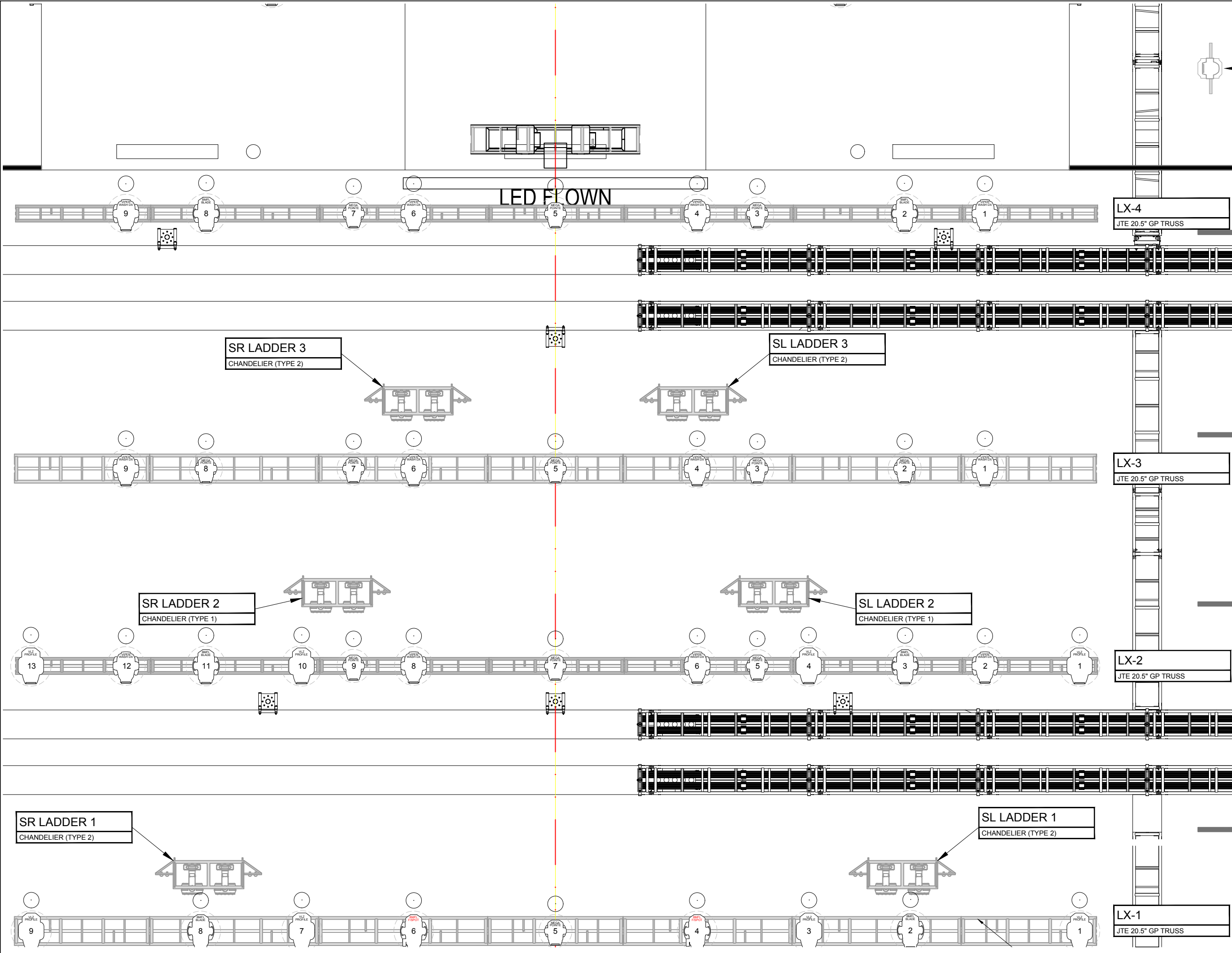
ELEMENT
PRODUCTION

SUB-ELEMENT
LIGHTING

PROJECT MANAGER 1
JOSHUA HIND

LIGHTING PROGRAMMER(S)
BENNY KIRKHAM, JOSHUA KOFFMAN

DRAWING STATUS			
HANG PLOT			
DRAWN BY R. BENOIT, J. HIND	DATE 2019/05/01		
LAST MODIFIED BY J. HIND	DATE 2021/12/11		
APPROVED BY	DATE		
SHEET NUMBER 02-OVERHEAD	SCALE 1/16"=1'-0"	B	
DOC ID NUMBER CDS-0281155	REVISION 11		



- ROBE BMFL FOLLOWSPOT @ 1700W
- VARI'LITE VLZ PROFILE @ 620W
- ROBE MEGA POINTE @ 470W
- MARTIN VIPER WASH DX @ 1000W
- AYRTON MAGICPANEL-FX
- AYRTON WILDSUN-K25 @ 2750W
- AYRTON MAGICDOT-SX @ 130W
- ROBE SPIDER @ 600W
- CLAY PAKY SHARPY @ 189W
- GLP JDC1 STROBE @ 1200W
- ETC SOURCE FOUR 10 DEG.
- ETC SOURCE PAR @ 750W

NOTES:

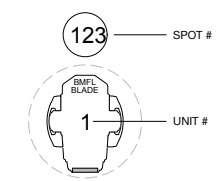
THIS IS THE HANG PLOT.

THIS IS A LIGHTING PLOT. IT IS NOT A COMPREHENSIVE DETAIL OF ALL SHOW ELEMENTS. SOME SET AND/OR STRUCTURAL ELEMENTS HAVE BEEN REMOVED TO ENSURE THE LIGHTING CAN BE SHOWN AS CLEARLY AS POSSIBLE.

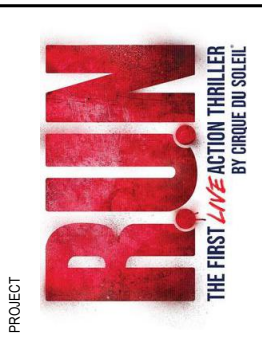
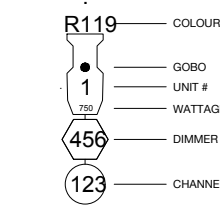
HOWEVER, THE COMPLETE INVENTORY OF FIXTURES CURRENTLY REQUIRED TO REALIZE THE DESIGN ARE INCLUDED IN THE DOCUMENTATION. SEE THE INSTRUMENT SCHEDULE AND INSTRUMENT COUNT.

THIS LIGHTING PLOT CAN BE USED TO VALIDATE CIRCUITING, COORDINATE WITH OTHER DEPARTMENTS AND FOR PATCHING PURPOSES (SOFT AND HARD).

KEY (MOVING LIGHTS)



KEY (CONVENTIONAL)



LIGHTING DESIGNER
DAVID FINN
ASSOC. LIGHTING DESIGNER
TIM REED

REVISION HISTORY

No	DESCRIPTION TYPE	DATE	BY
004	PRELIM HANG	2019/04/29	JRH
010	FINAL HANG	2019/05/01	JRH

DRAWING DESCRIPTION
SHOW 2D PLAN
OVER STAGE LIGHTING - DETAIL VIEW
VARIANT
FILE NAME
CDS-0281155_HANG PLOT.dwg

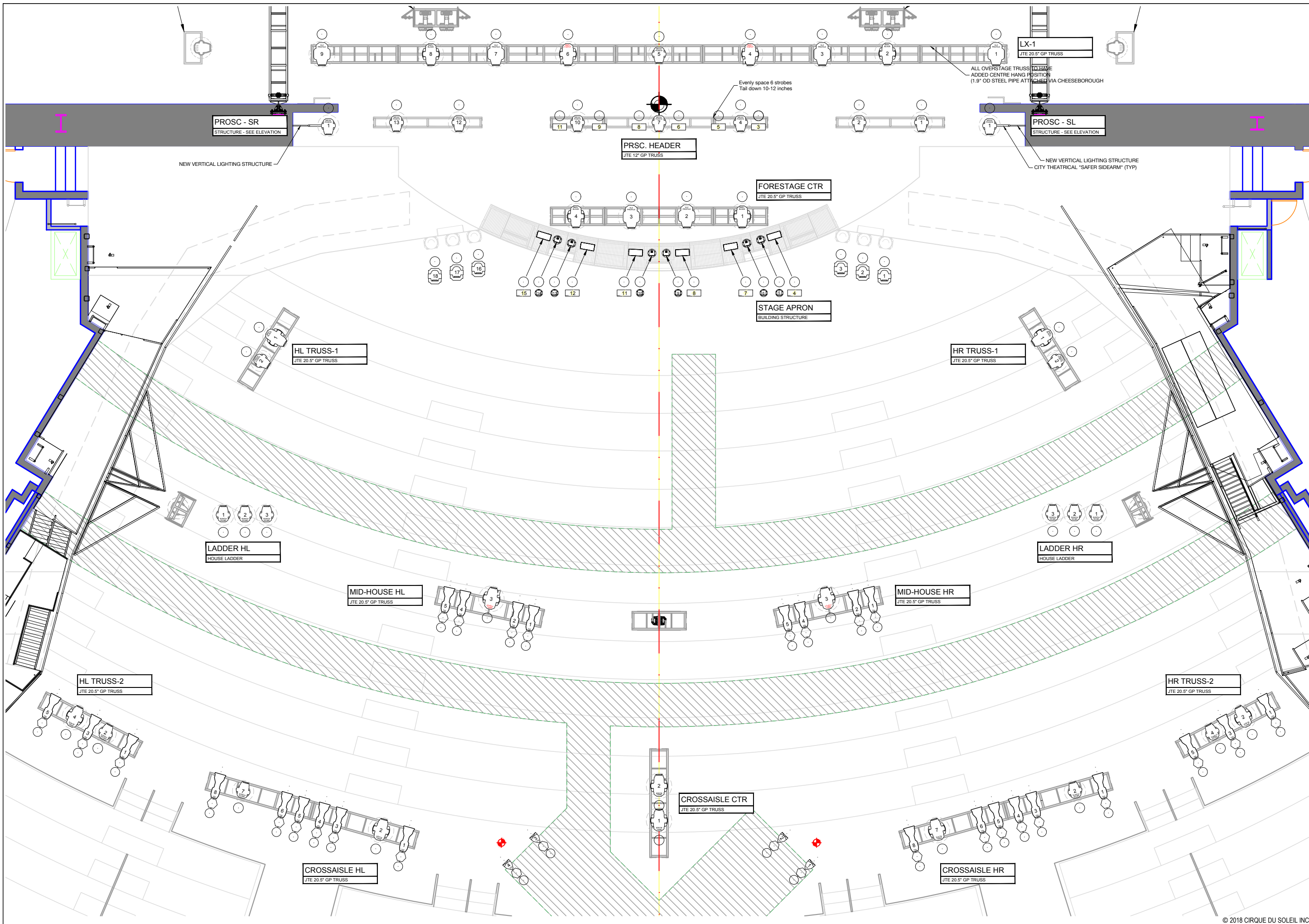
PRODUCTION CATEGORY

GENERAL CONCEPT
ELEMENT
PRODUCTION
SUB-ELEMENT
LIGHTING
PROJECT MANAGER 1
JOSHUA HIND
LIGHTING PROGRAMMER(S)
BENNY KIRKHAM, JOSHUA KOFFMAN

HUMMINGBIRD NO.
—

DRAWING STATUS

HANG PLOT	
DRAWN BY R. BENOIT, J. HIND	DATE 2019/05/01
LAST MODIFIED BY J. HIND	DATE 2021/12/11
APPROVED BY	DATE
SHEET NUMBER 03-OH DETAIL	SCALE 1/16"=1'-0"
DOC ID NUMBER CDS-0281155	REVISION B 11



PROJECT
BRUN
 THE FIRST LIVE ACTION THRILLER
 BY CIRQUE DU SOLEIL

LIGHTING DESIGNER
 DAVID FINN
ASSOC. LIGHTING DESIGNER
 TIM REED

REVISION HISTORY

No	DESCRIPTION TYPE	DATE	BY
004	PRELIM HANG	2019/04/29	JRH
010	FINAL HANG	2019/05/01	JRH

DRAWING DESCRIPTION
 SHOW 2D PLAN
 HOUSE LIGHTING PLAN (A VIEW)
 VARIANT
 FILE NAME: CDS-0281155_HANG PLOT.dwg

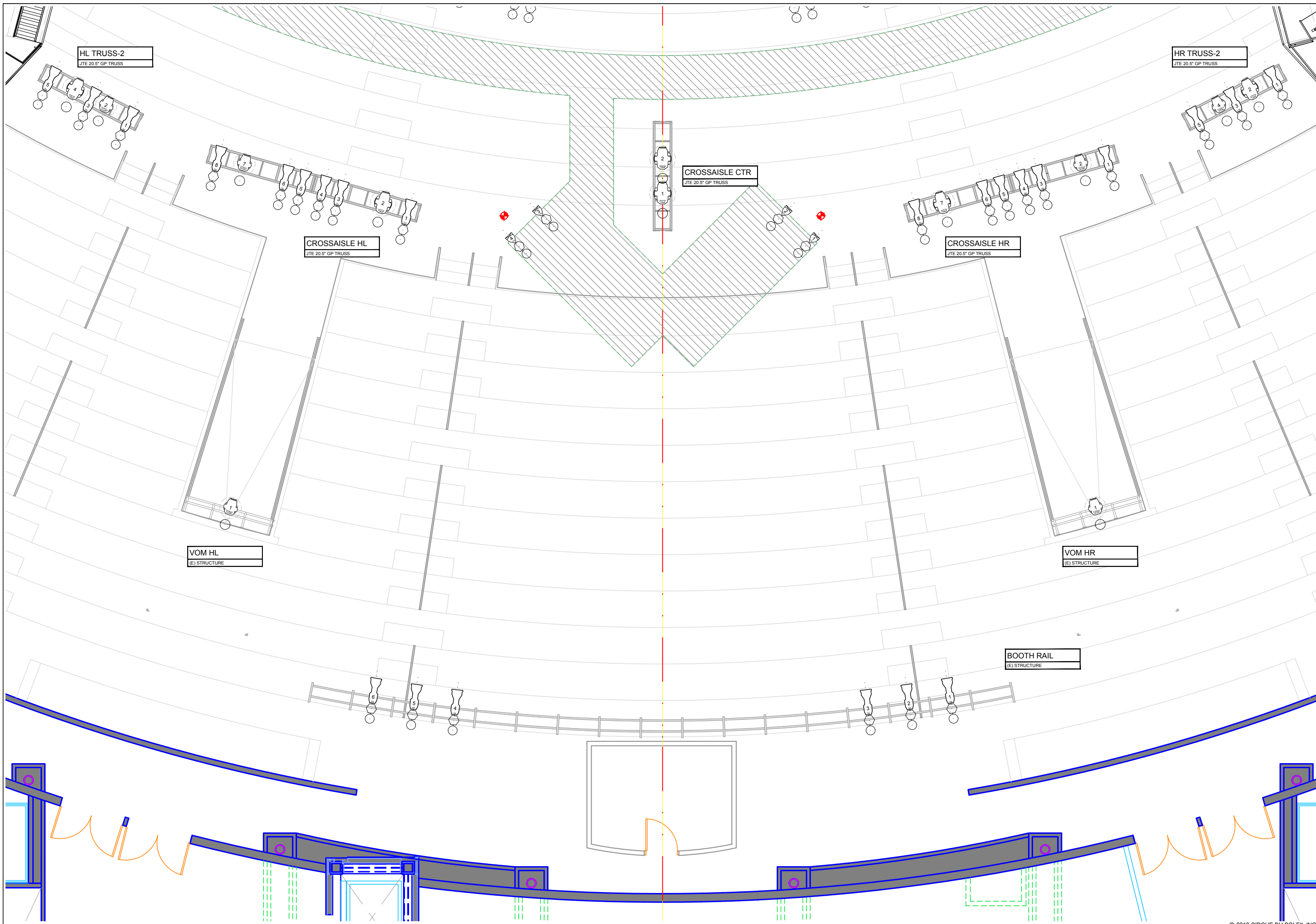
PRODUCTION CATEGORY
 GENERAL CONCEPT
ELEMENT
 PRODUCTION
SUB-ELEMENT
 LIGHTING
PROJECT MANAGER 1
 JOSHUA HIND
LIGHTING PROGRAMMER(S)
 BENNY KIRKHAM, JOSHUA KOFFMAN

HUMMINGBIRD NO.
 -

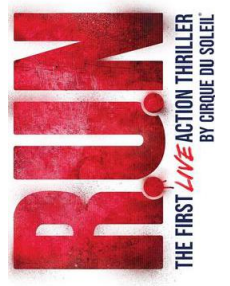
DRAWING STATUS
 HANG PLOT

DRAWN BY R. BENOIT, J. HIND	DATE 2019/05/01
LAST MODIFIED BY J. HIND	DATE 2021/12/11
APPROVED BY	DATE

SHEET NUMBER 04-HOUSE	SCALE 1/16"=1'-0"	B
DOC ID NUMBER CDS-0281155	REVISION 11	



CIRQUE DU SOLEIL



LIGHTING DESIGNER
DAVID FINN
ASSOC. LIGHTING DESIGNER
TIM REED

REVISION HISTORY

No	DESCRIPTION TYPE	DATE	BY
004	PRELIM HANG	2019/04/29	JRH
010	FINAL HANG	2019/05/01	JRH

SHOW 2D PLAN
HOUSE LIGHTING PLAN (B VIEW)
VARIANT

FILE NAME CDS-0281155_HANG PLOT.dwg

PRODUCTION CATEGORY
GENERAL CONCEPT

ELEMENT
PRODUCTION
SUB-ELEMENT
LIGHTING

PROJECT MANAGER 1
JOSHUA HIND
LIGHTING PROGRAMMER(S)
BENNY KIRKHAM, JOSHUA KOFFMAN

HUMMINGBIRD NO.
-

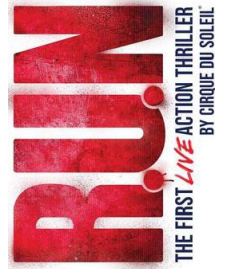
DRAWING STATUS
HANG PLOT

DRAWN BY R. BENOIT, J. HIND	DATE 2019/05/01
LAST MODIFIED BY J. HIND	DATE 2021/12/11
APPROVED BY	DATE

SHEET NUMBER 05-HOUSE 2	SCALE 1/16"=1'-0"	B
DOC ID NUMBER CDS-0281155	REVISION 11	



CIRQUE DU SOLEIL



PROJECT

LIGHTING DESIGNER
DAVID FINN
ASSOC. LIGHTING DESIGNER
TIM REED

REVISION HISTORY

No	DESCRIPTION	TYPE	DATE	BY
004	PRELIM HANG		2019/04/29	JRH
010	FINAL HANG		2019/05/01	JRH

DRAWING DESCRIPTION
SHOW 2D PLAN
STAGE EDGE AND FOOT LIGHT LIGHTING PLAN
VARIANT

FILE NAME
CDS-0281155_HANG PLOT.dwg

PRODUCTION CATEGORY
GENERAL CONCEPT

ELEMENT
PRODUCTION
SUB-ELEMENT
LIGHTING

PROJECT MANAGER 1
JOSHUA HIND
LIGHTING PROGRAMMER(S)
BENNY KIRKHAM, JOSHUA KOFFMAN

HUMMINGBIRD NO.
-

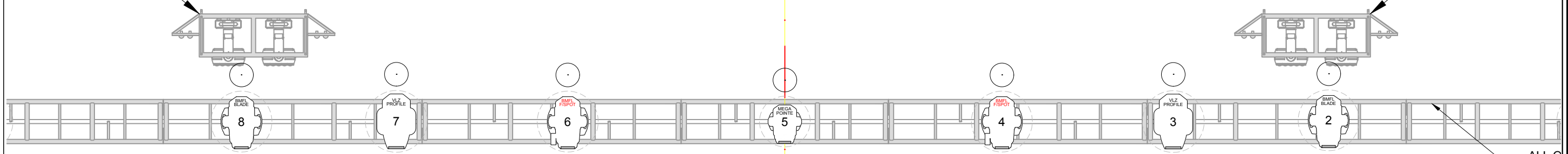
DRAWING STATUS
HANG PLOT

DRAWN BY R. BENOIT, J. HIND	DATE 2019/05/01
LAST MODIFIED BY J. HIND	DATE 2021/12/11
APPROVED BY	DATE

SHEET NUMBER 06-APRON	SCALE 1/16"=1'-0"	B
DOC ID NUMBER CDS-0281155	REVISION 11	

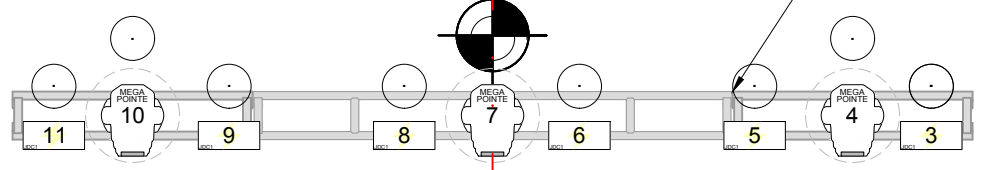
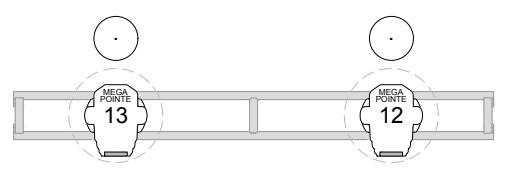
SL LADDER 1
CHANDELIER (TYPE 2)

ADDER 1
LIER (TYPE 2)



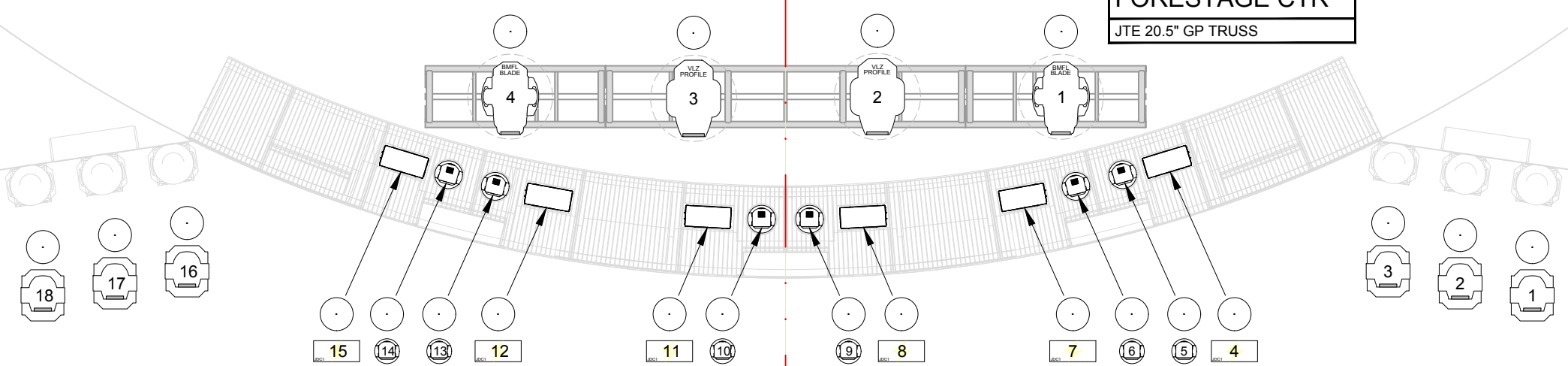
Evenly space 6 strobes
Tail down 10-12 inches

ALL O
ADDE
(1.9" C



PRSC. HEADER
JTE 12" GP TRUSS

FORESTAGE CTR
JTE 20.5" GP TRUSS



STAGE APRON
BUILDING STRUCTURE

HR TRUS
JTE 20.5" GP TR

-1
SS



CIRQUE DU SOLEIL

REUN
THE FIRST *LIVE* ACTION THRILLER
BY CIRQUE DU SOLEIL

LIGHTING DESIGNER
DAVID FINN
ASSOC. LIGHTING DESIGNER
TIM REED

REVISION HISTORY

No	DESCRIPTION TYPE	DATE	BY
004	PRELIM HANG	2019/04/29	JRH
010	FINAL HANG	2019/05/01	JRH

SHOW 2D PLAN

APRON FOOTLIGHT DETAIL VIEW

VARIANT

FILE NAME CDS-0281155_HANG PLOT.dwg

PRODUCTION CATEGORY
GENERAL CONCEPT

ELEMENT
PRODUCTION
SUB-ELEMENT
LIGHTING

PROJECT MANAGER 1
JOSHUA HIND
LIGHTING PROGRAMMER(S)
BENNY KIRKHAM, JOSHUA KOFFMAN

HUMMINGBIRD NO.

DRAWING STATUS

HANG PLOT

DRAWN BY
R. BENOIT, J. HIND

DATE
2019/05/01

LAST MODIFIED BY
J. HIND

DATE
2021/12/11

APPROVED BY

DATE

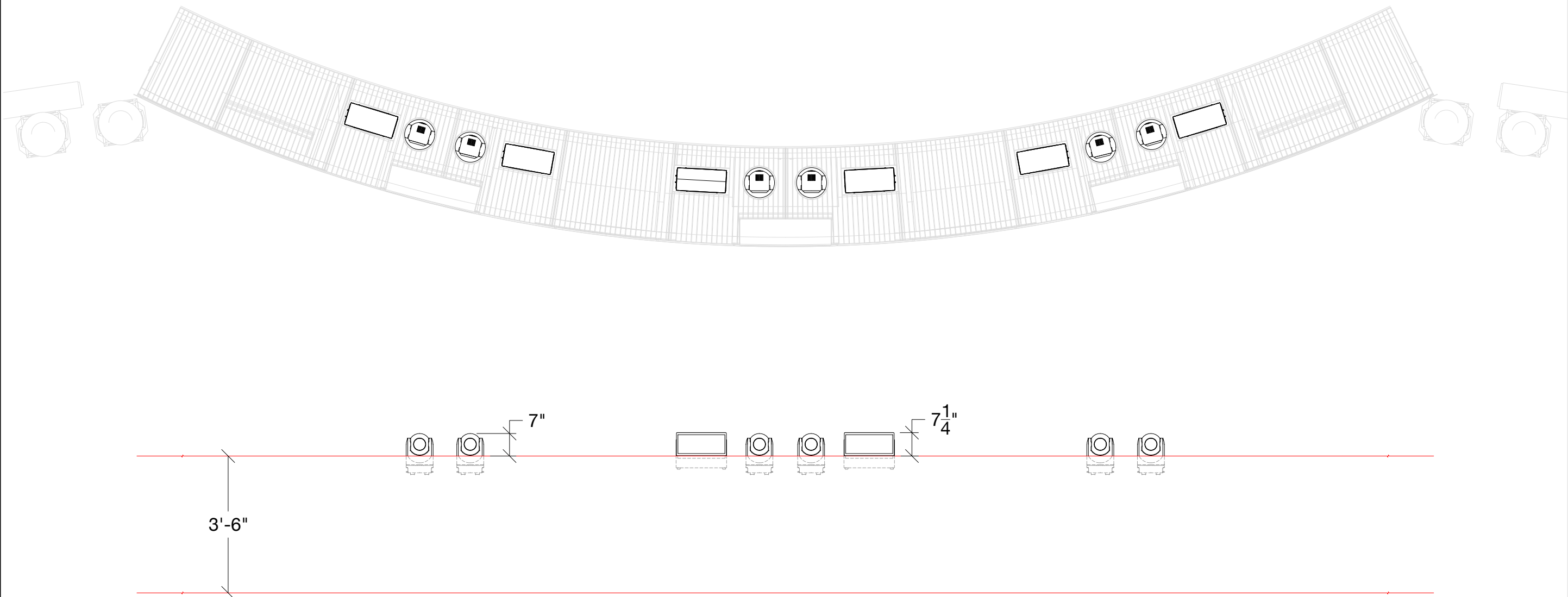
SHEET NUMBER
07-APRON ELEV

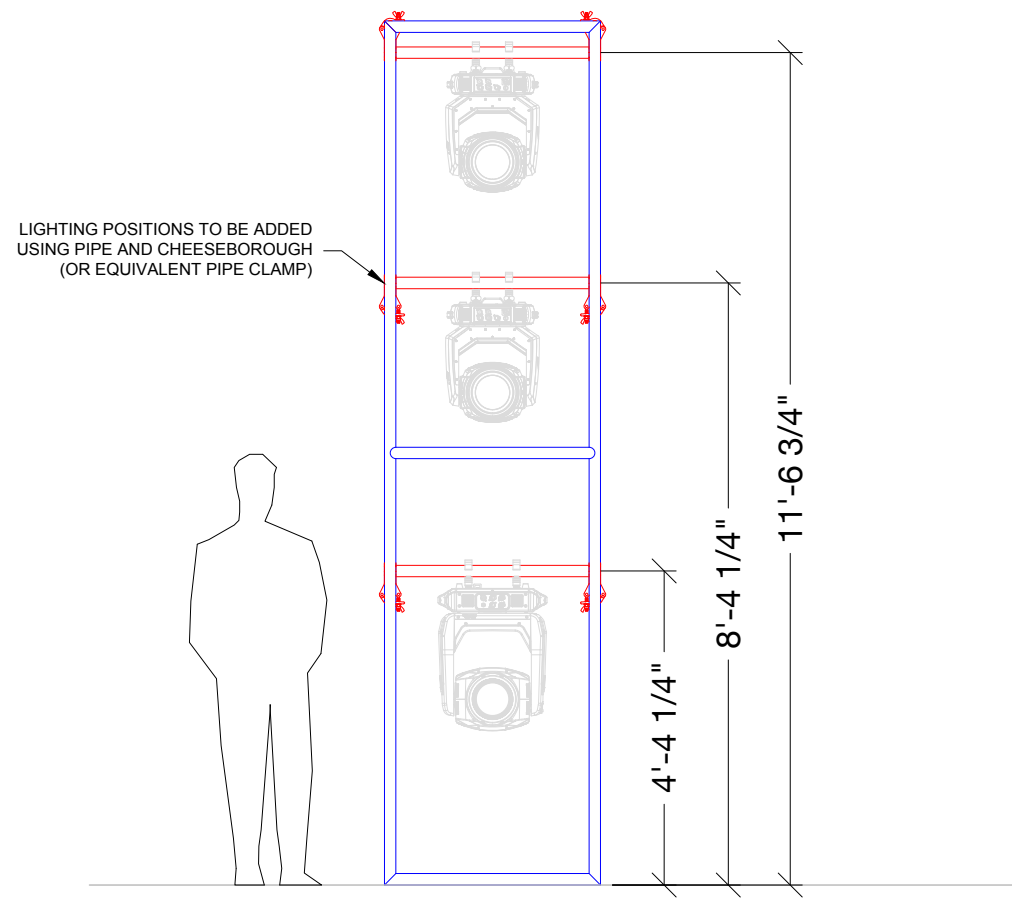
SCALE
1/16"=1'-0"

B

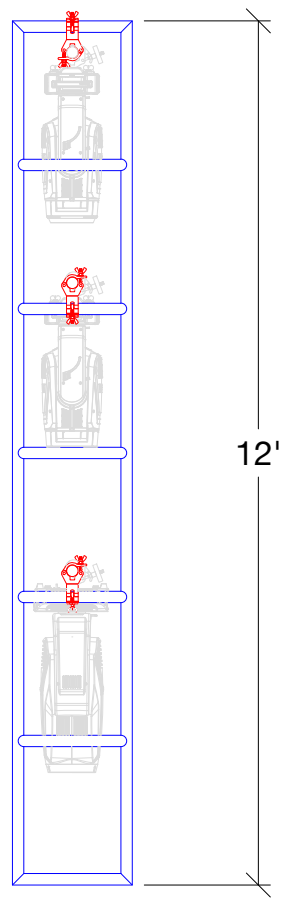
DOC ID NUMBER
CDS-0281155

REVISION
11

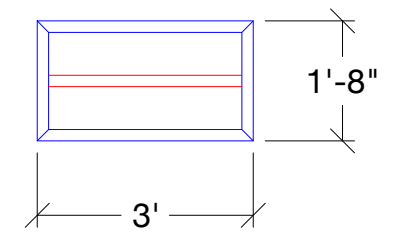




FRONT VIEW
DETAIL WITH FIXTURES



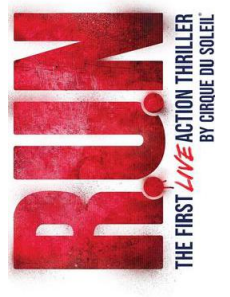
SIDE VIEW
DETAIL WITH FIXTURES



PLAN VIEW



CIRQUE DU SOLEIL



LIGHTING DESIGNER
DAVID FINN
ASSOC. LIGHTING DESIGNER
TIM REED

REVISION HISTORY

No	DESCRIPTION TYPE	DATE	BY
004	PRELIM HANG	2019/04/29	JRH
010	FINAL HANG	2019/05/01	JRH

PRODUCTION CATEGORY
GENERAL CONCEPT

ELEMENT
PRODUCTION

SUB-ELEMENT
LIGHTING

PROJECT MANAGER 1
JOSHUA HIND

LIGHTING PROGRAMMER(S)
BENNY KIRKHAM, JOSHUA KOFFMAN

HUMMINGBIRD NO.
—

DRAWING STATUS
HANG PLOT

DRAWN BY R. BENOIT, J. HIND	DATE 2019/05/01
LAST MODIFIED BY J. HIND	DATE 2021/12/11
APPROVED BY	DATE

SHEET NUMBER 08-BOOMS	SCALE 1/16"=1'-0"	B
DOC ID NUMBER CDS-0281155	REVISION 11	

DRAWING DESCRIPTION
SHOW 2D PLAN

VARIANT
BOOMS (EXISTING LUXOR REUSE) DETAIL

FILE NAME
CDS-0281155_HANG PLOT.dwg



CIRQUE DU SOLEIL

RUN
THE FIRST *LIVE* ACTION THRILLER
BY CIRQUE DU SOLEIL

LIGHTING DESIGNER
DAVID FINN
ASSOC. LIGHTING DESIGNER
TIM REED

REVISION HISTORY

No	DESCRIPTION TYPE	DATE	BY
004	PRELIM HANG	2019/04/29	JRH
010	FINAL HANG	2019/05/01	JRH

DRAWING DESCRIPTION
SHOW 2D PLAN
ONSTAGE BOOMS (NEW) DETAIL
VARIANT

FILE NAME
CDS-0281155_HANG PLOT.dwg

PRODUCTION CATEGORY
GENERAL CONCEPT

ELEMENT
PRODUCTION

SUB-ELEMENT
LIGHTING

PROJECT MANAGER 1
JOSHUA HIND

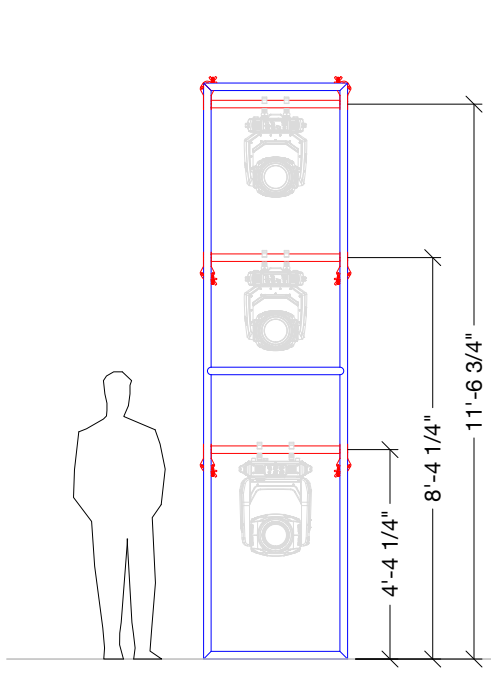
LIGHTING PROGRAMMER(S)
BENNY KIRKHAM, JOSHUA KOFFMAN

HUMMINGBIRD NO.
-

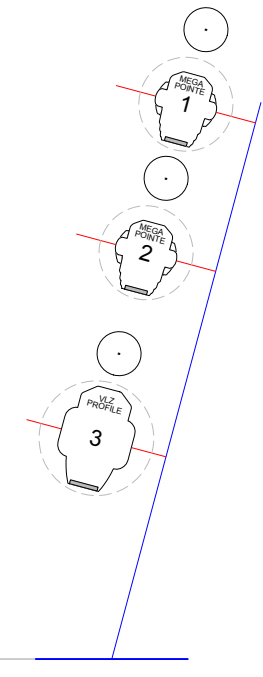
DRAWING STATUS
HANG PLOT

DRAWN BY R. BENOIT, J. HIND	DATE 2019/05/01
LAST MODIFIED BY J. HIND	DATE 2021/12/11
APPROVED BY	DATE

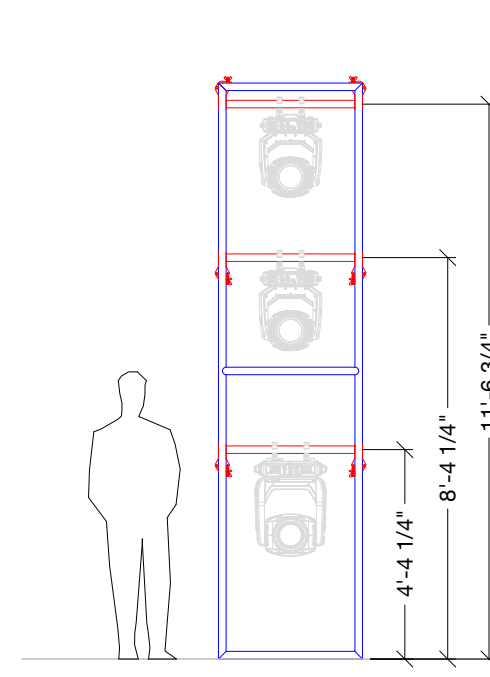
SHEET NUMBER 09-DETAIL	SCALE 1/16"=1'-0"	B
DOC ID NUMBER CDS-0281155	REVISION 11	



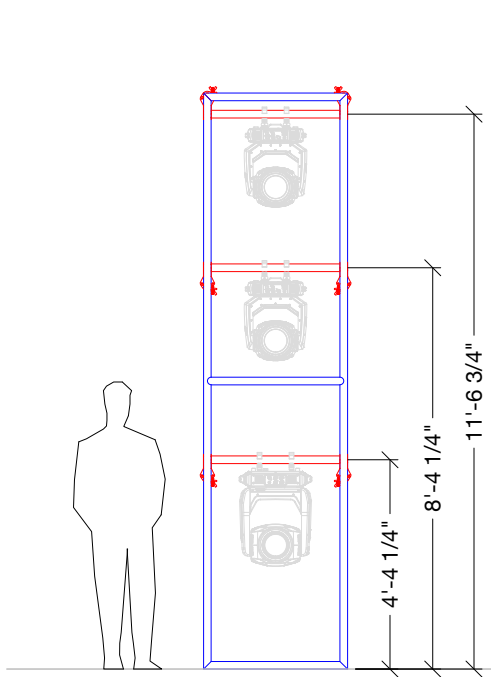
SR BOOM-1
LUXOR THEATRE BOOM



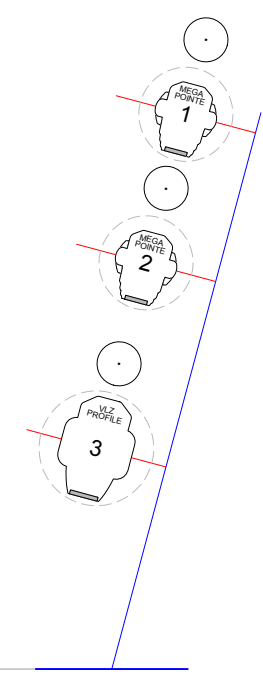
SR BOOM-2
LUXOR THEATRE BOOM



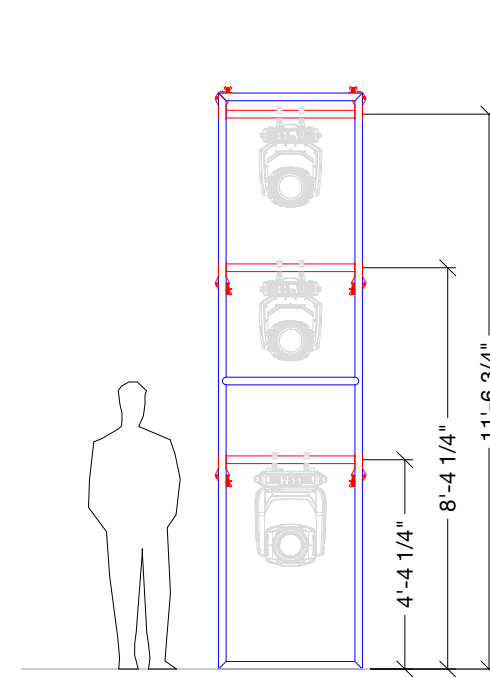
SR BOOM-3
LUXOR THEATRE BOOM



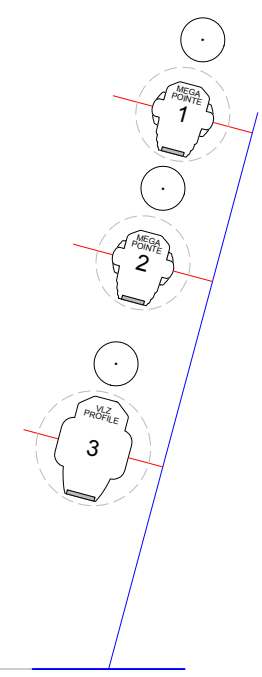
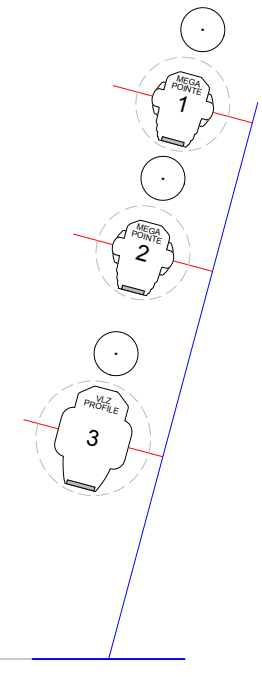
SL BOOM-3
LUXOR THEATRE BOOM

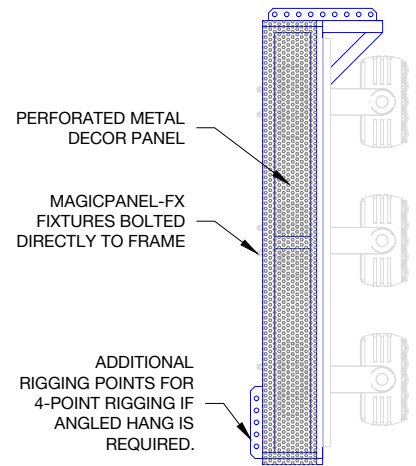


SL BOOM-2
LUXOR THEATRE BOOM



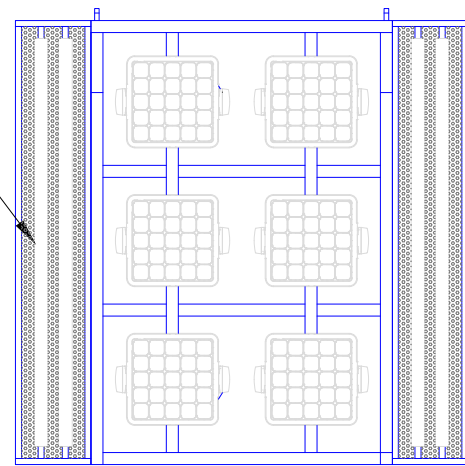
SL BOOM-1
LUXOR THEATRE BOOM



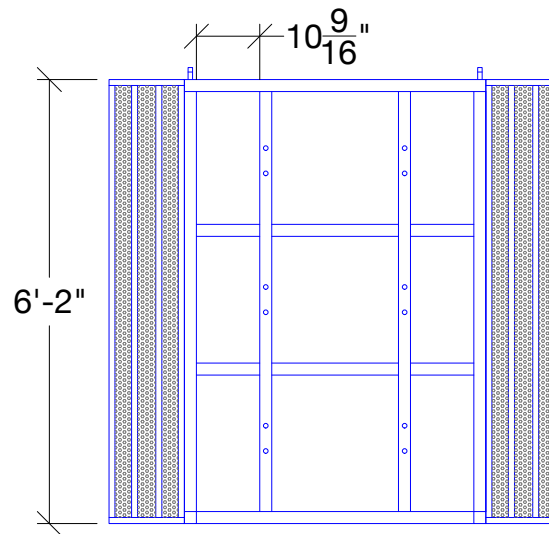


SIDE VIEW
DETAIL WITH FIXTURES

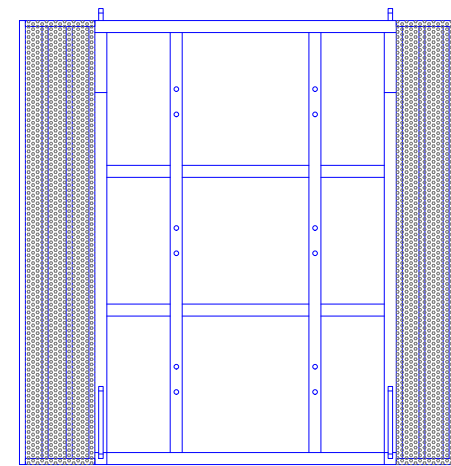
CUSTOM LED "FLUORESCENT TUBE" TO BE COORDINATED WITH VENDOR



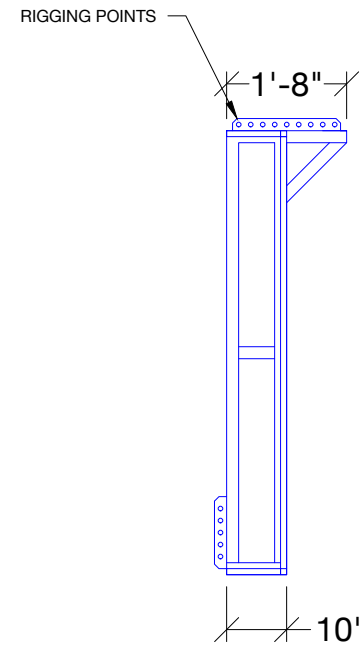
FRONT VIEW
DETAIL WITH FIXTURES



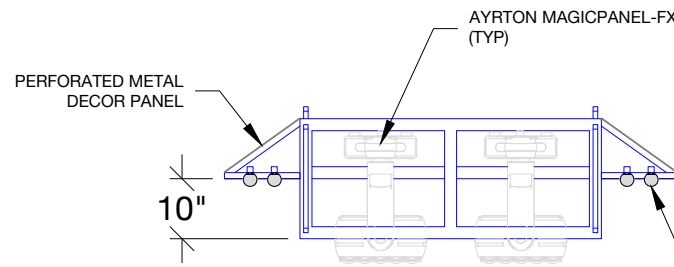
FRONT VIEW



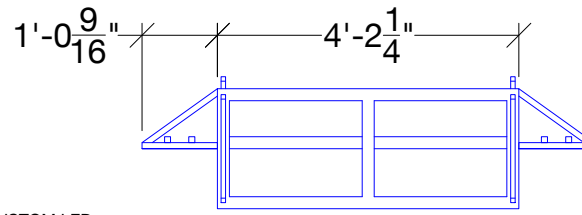
REAR VIEW



SIDE VIEW
DECOR REMOVED FOR CLARITY

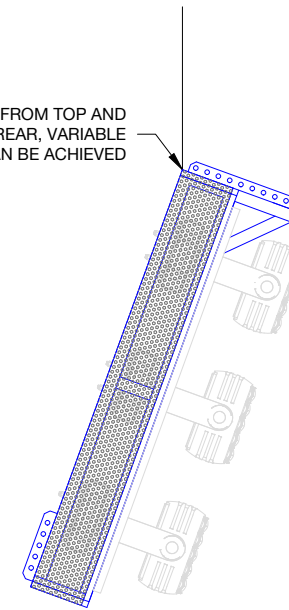


TOP VIEW
DETAIL WITH FIXTURES



TOP VIEW
DECOR REMOVED FOR CLARITY

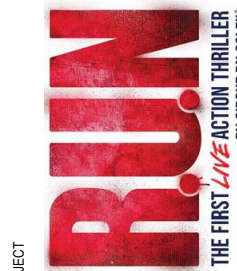
WHEN RIGGED FROM TOP AND BOTTOM-REAR, VARIABLE ANGLES CAN BE ACHIEVED



SIDE VIEW
EXAMPLE OF ANGLED RIGGING



CIRQUE DU SOLEIL



LIGHTING DESIGNER
DAVID FINN
ASSOC. LIGHTING DESIGNER
TIM REED

REVISION HISTORY

No	DESCRIPTION TYPE	DATE	BY
004	PRELIM HANG	2019/04/29	JRH
010	FINAL HANG	2019/05/01	JRH

PRODUCTION CATEGORY
GENERAL CONCEPT

ELEMENT
PRODUCTION

SUB-ELEMENT
LIGHTING

PROJECT MANAGER 1
JOSHUA HIND

LIGHTING PROGRAMMER(S)
BENNY KIRKHAM, JOSHUA KOFFMAN

PRODUCTION CATEGORY
GENERAL CONCEPT

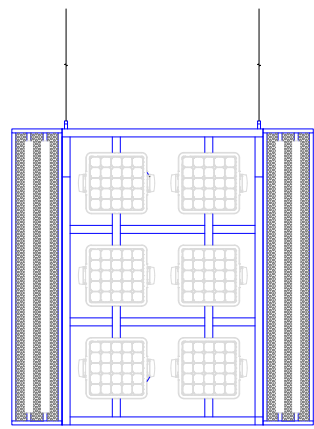
ELEMENT
PRODUCTION

SUB-ELEMENT
LIGHTING

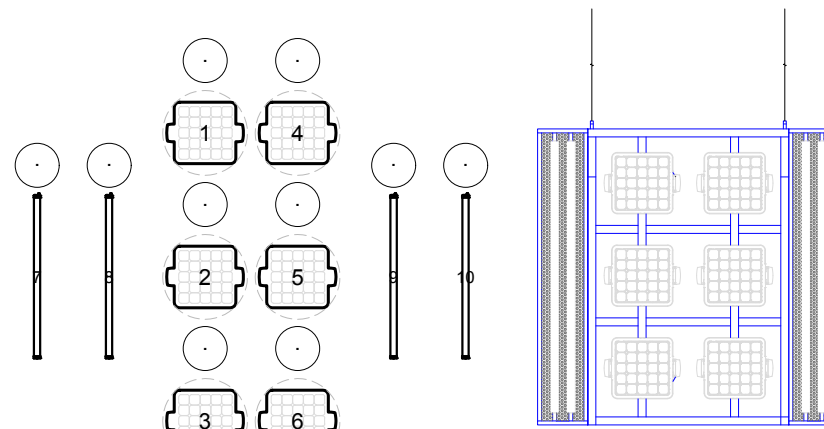
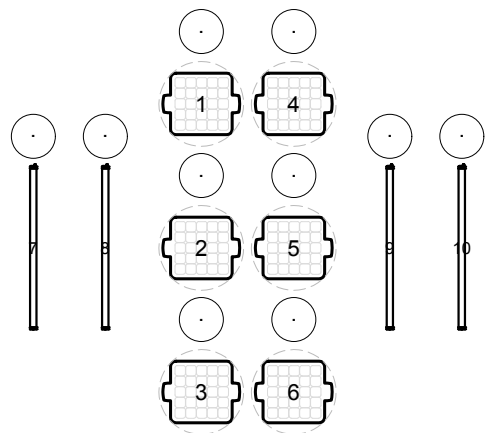
PROJECT MANAGER 1
JOSHUA HIND

LIGHTING PROGRAMMER(S)
BENNY KIRKHAM, JOSHUA KOFFMAN

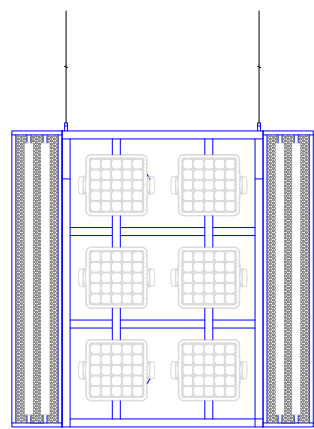
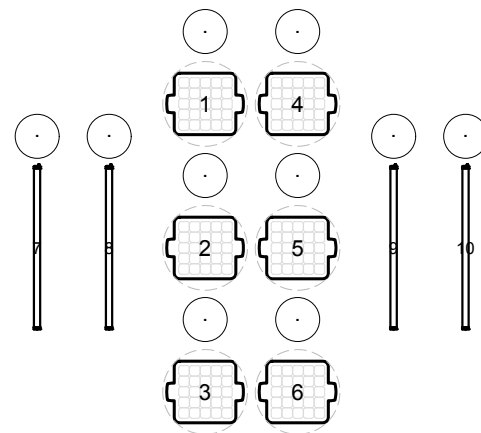
HUMMINGBIRD NO.	
-	
DRAWING STATUS	
HANG PLOT	
DRAWN BY R. BENOIT, J. HIND	DATE 2019/05/01
LAST MODIFIED BY J. HIND	DATE 2021/12/11
APPROVED BY	DATE
SHEET NUMBER 10-CHANDELIER 1/16"=1'-0"	SCALE B
DOC ID NUMBER CDS-0281155	REVISION 11



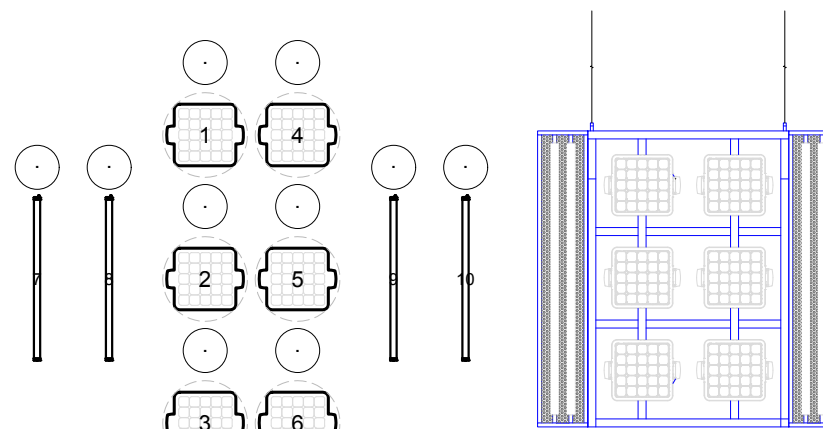
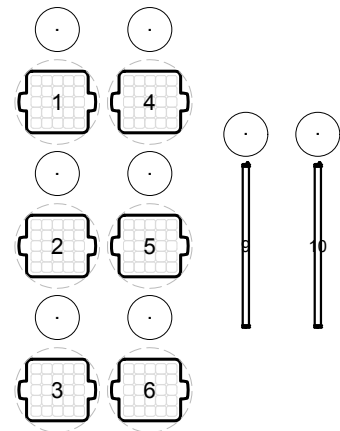
SR LADDER 3
CUSTOM STRUCTURE



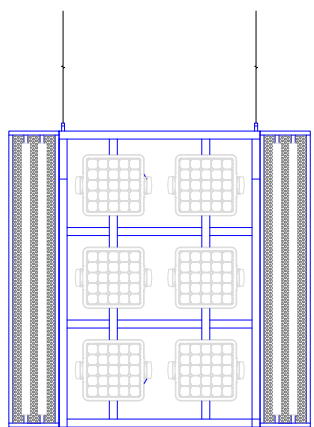
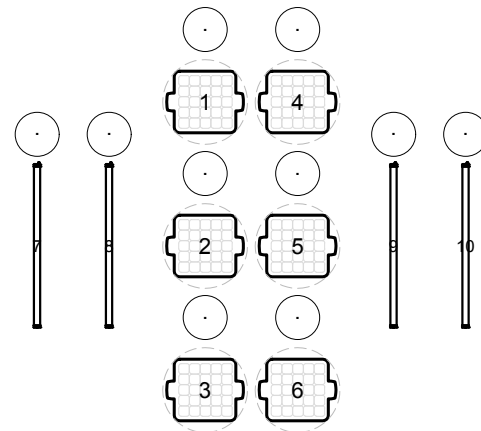
SL LADDER 3
CUSTOM STRUCTURE



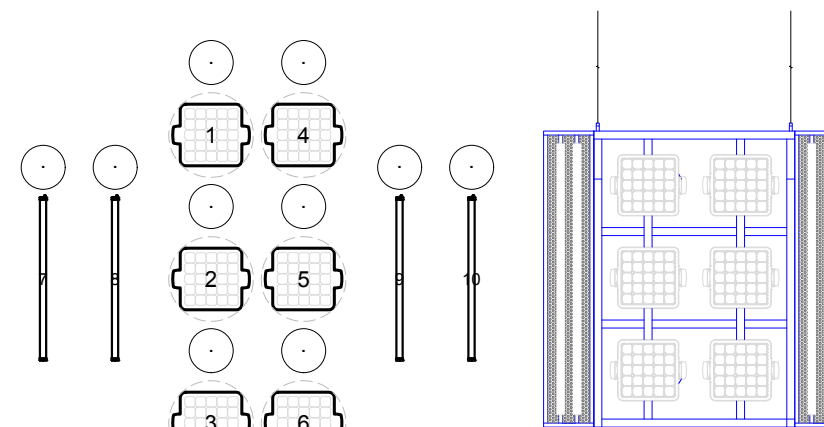
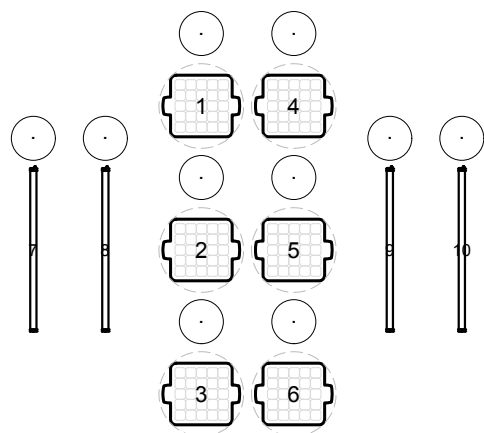
SR LADDER 2
CUSTOM STRUCTURE



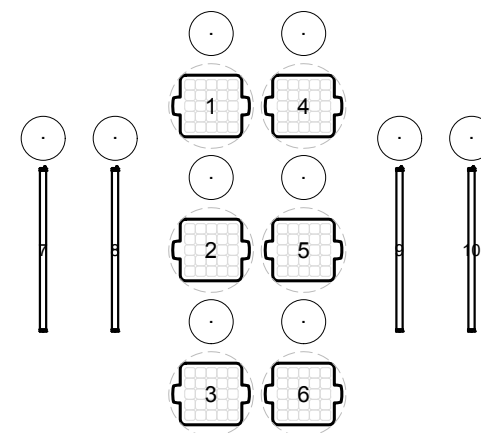
SL LADDER 2
CUSTOM STRUCTURE



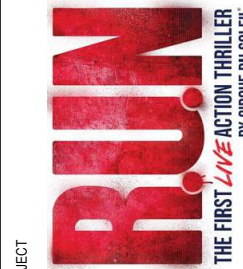
SR LADDER 1
CUSTOM STRUCTURE



SL LADDER 1
CUSTOM STRUCTURE



CIRQUE DU SOLEIL



LIGHTING DESIGNER
DAVID FINN
ASSOC. LIGHTING DESIGNER
TIM REED

REVISION HISTORY

No	DESCRIPTION TYPE	DATE	BY
004	PRELIM HANG	2019/04/29	JRH
010	FINAL HANG	2019/05/01	JRH

PRODUCTION CATEGORY
GENERAL CONCEPT

ELEMENT
PRODUCTION
SUB-ELEMENT
LIGHTING

PROJECT MANAGER 1
JOSHUA HIND

LIGHTING PROGRAMMER(S)
BENNY KIRKHAM, JOSHUA KOFFMAN

HANG PLOT

DRAWN BY R. BENOIT, J. HIND	DATE 2019/05/01
LAST MODIFIED BY J. HIND	DATE 2021/12/11
APPROVED BY	DATE

SHEET NUMBER 11-DETAIL	SCALE 1/16"=1'-0"	B
DOC ID NUMBER CDS-0281155	REVISION 11	



CIRQUE DU SOLEIL

PROJECT
RUN
THE FIRST LIVE ACTION THRILLER
BY CIRQUE DU SOLEIL

LIGHTING DESIGNER
DAVID FINN
ASSOC. LIGHTING DESIGNER
TIM REED

REVISION HISTORY

No	DESCRIPTION TYPE	DATE	BY
004	PRELIM HANG	2019/04/29	JRH
010	FINAL HANG	2019/05/01	JRH

DRAWING DESCRIPTION
SHOW 2D PLAN

CUSTOM LIGHTING LADDER (NEW) - HOUSE

VARIANT
GENERAL STRUCTURAL DETAIL

FILE NAME
CDS-0281155_HANG PLOT.dwg

PRODUCTION CATEGORY
GENERAL CONCEPT

ELEMENT
PRODUCTION
SUB-ELEMENT
LIGHTING

PROJECT MANAGER 1
JOSHUA HIND
LIGHTING PROGRAMMER(S)
BENNY KIRKHAM, JOSHUA KOFFMAN

HUMMINGBIRD NO.

DRAWING STATUS

HANG PLOT

DRAWN BY
R. BENOIT, J. HIND

DATE
2019/05/01

LAST MODIFIED BY
J. HIND

DATE
2021/12/11

APPROVED BY

DATE

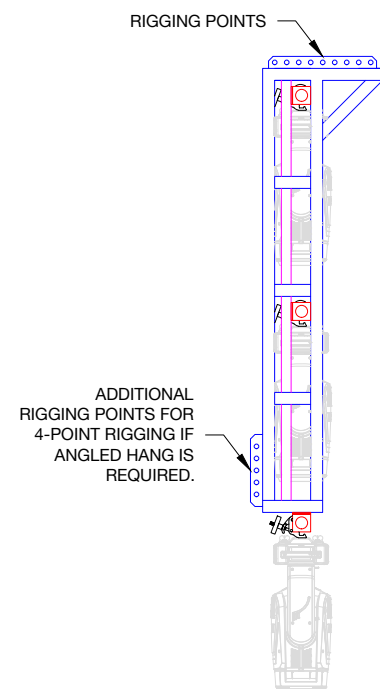
SHEET NUMBER
12-LADDER

SCALE
1/16"=1'-0"

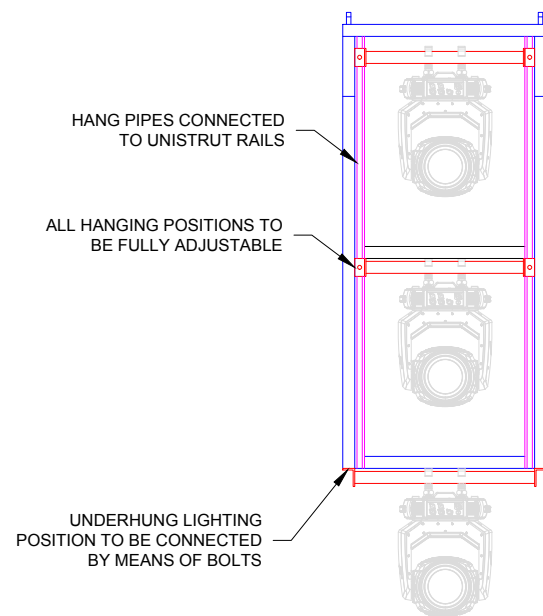
B

DOC ID NUMBER
CDS-0281155

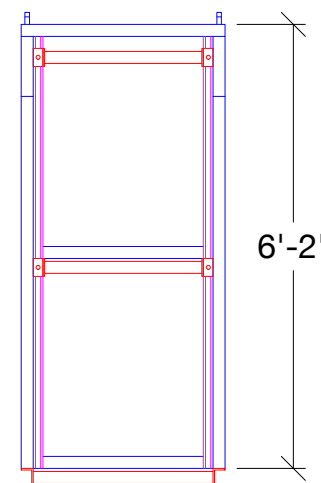
REVISION
11



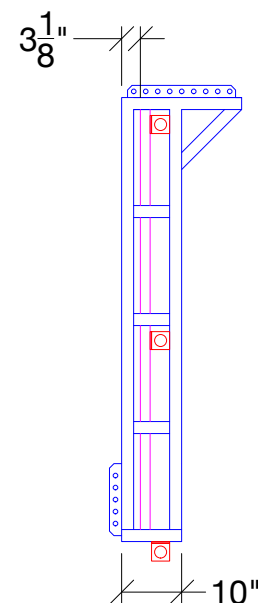
SIDE VIEW
DETAIL WITH FIXTURES



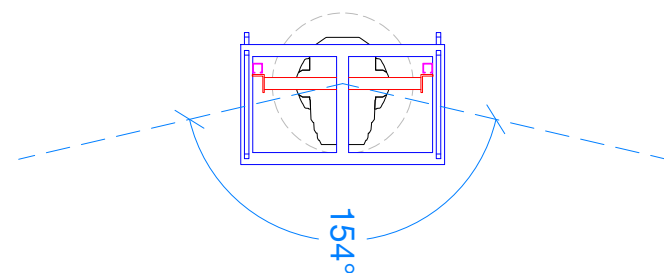
FRONT VIEW
DETAIL WITH FIXTURES



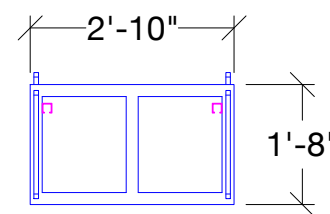
FRONT VIEW



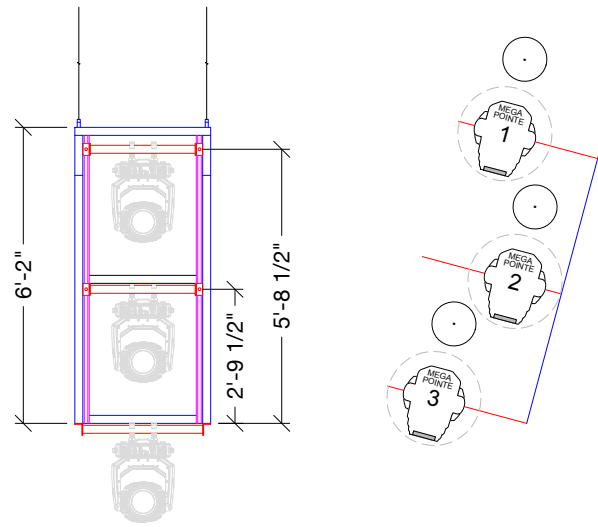
SIDE VIEW



TOP VIEW
DETAIL WITH FIXTURES

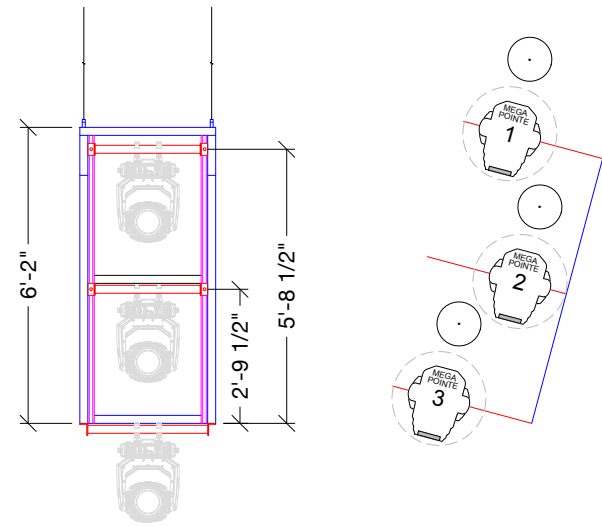


TOP VIEW



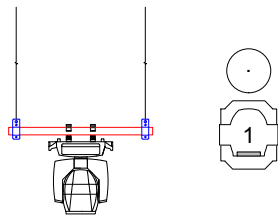
LADDER HL

CUSTOM STRUCTURE



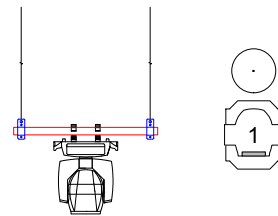
LADDER HR

CUSTOM STRUCTURE



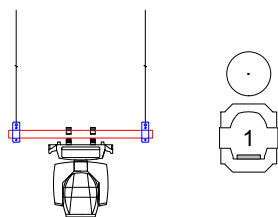
SL BOOM 4

SINGLE 3'-0" PIPE



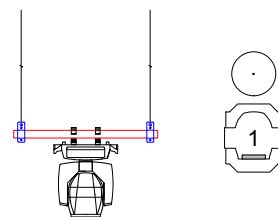
SL DEAD HANG

SINGLE 3'-0" PIPE



SR BOOM 4

SINGLE 3'-0" PIPE



SR DEAD HANG

SINGLE 3'-0" PIPE



CIRQUE DU SOLEIL

RUN
THE FIRST *LIVE* ACTION THRILLER
BY CIRQUE DU SOLEIL

LIGHTING DESIGNER
DAVID FINN
ASSOC. LIGHTING DESIGNER
TIM REED

REVISION HISTORY

No	DESCRIPTION TYPE	DATE	BY
004	PRELIM HANG	2019/04/29	JRH
010	FINAL HANG	2019/05/01	JRH

DRAWING DESCRIPTION
SHOW 2D PLAN

ADDITIONAL LIGHTING LADDERS

VARIANT

FILE NAME
CDS-0281155_HANG PLOT.dwg

PRODUCTION CATEGORY
GENERAL CONCEPT

ELEMENT
PRODUCTION
SUB-ELEMENT
LIGHTING

PROJECT MANAGER 1
JOSHUA HIND
LIGHTING PROGRAMMER(S)
BENNY KIRKHAM, JOSHUA KOFFMAN

HUMMINGBIRD NO.
—

DRAWING STATUS
HANG PLOT

DRAWN BY R. BENOIT, J. HIND	DATE 2019/05/01
LAST MODIFIED BY J. HIND	DATE 2021/12/11
APPROVED BY	DATE

SHEET NUMBER 13-DETAIL	SCALE 1/16"=1'-0"	B
DOC ID NUMBER CDS-0281155	REVISION 11	



CIRQUE DU SOLEIL

REUN
THE FIRST LIVE ACTION THRILLER
BY CIRQUE DU SOLEIL

PROJECT

LIGHTING DESIGNER
DAVID FINN
ASSOC. LIGHTING DESIGNER
TIM REED

REVISION HISTORY

No	DESCRIPTION TYPE	DATE	BY
004	PRELIM HANG	2019/04/29	JRH
010	FINAL HANG	2019/05/01	JRH

DRAWING DESCRIPTION
SHOW 2D PLAN
UPSTAGE PAR WALL
VARIANT

FILE NAME
CDS-0281155_HANG PLOT.dwg

PRODUCTION CATEGORY
GENERAL CONCEPT

ELEMENT
PRODUCTION

SUB-ELEMENT
LIGHTING

PROJECT MANAGER 1
JOSHUA HIND

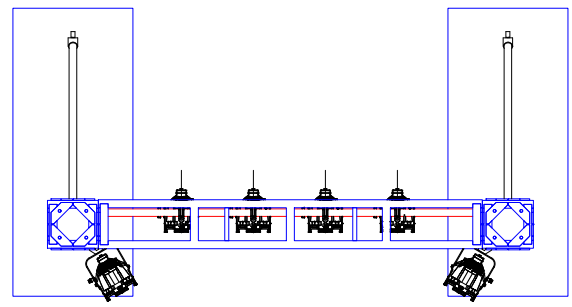
LIGHTING PROGRAMMER(S)
BENNY KIRKHAM, JOSHUA KOFFMAN

HUMMINGBIRD NO.
-

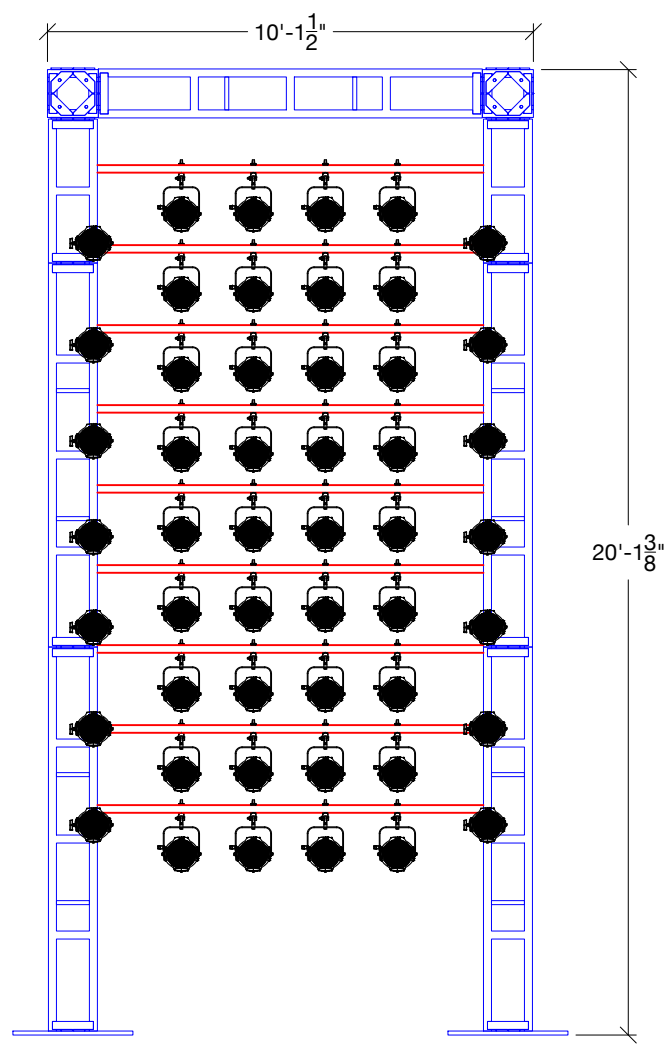
DRAWING STATUS
HANG PLOT

DRAWN BY R. BENOIT, J. HIND	DATE 2019/05/01
LAST MODIFIED BY J. HIND	DATE 2021/12/11
APPROVED BY	DATE

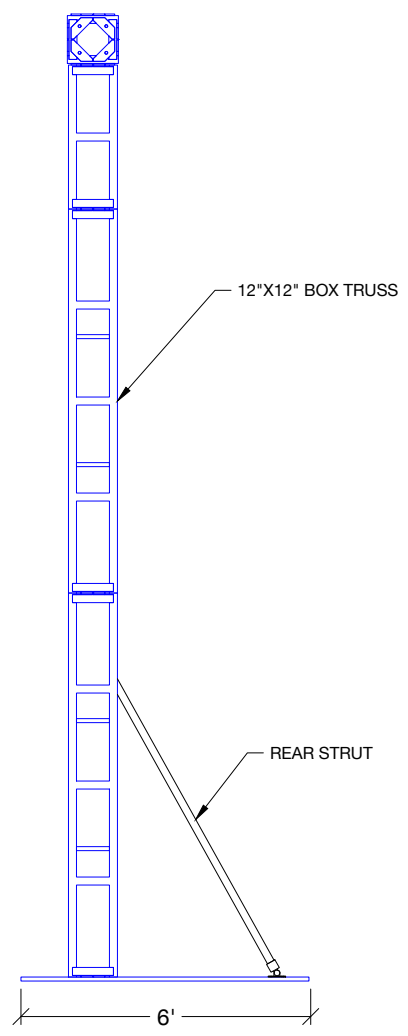
SHEET NUMBER 14-PAR WALL	SCALE 1/16"=1'-0"	B
DOC ID NUMBER CDS-0281155	REVISION 11	



TOP VIEW
DETAIL WITH FIXTURES



FRONT VIEW
DETAIL WITH FIXTURES



SIDE VIEW
DETAIL WITH FIXTURES



CIRQUE DU SOLEIL

RUN
THE FIRST LIVE ACTION THRILLER
BY CIRQUE DU SOLEIL

PROJECT

LIGHTING DESIGNER
DAVID FINN
ASSOC. LIGHTING DESIGNER
TIM REED

REVISION HISTORY

No	DESCRIPTION TYPE	DATE	BY
004	PRELIM HANG	2019/04/29	JRH
010	FINAL HANG	2019/05/01	JRH

PRODUCTION CATEGORY
GENERAL CONCEPT

ELEMENT
PRODUCTION
SUB-ELEMENT
LIGHTING

PROJECT MANAGER 1
JOSHUA HIND
LIGHTING PROGRAMMER(S)

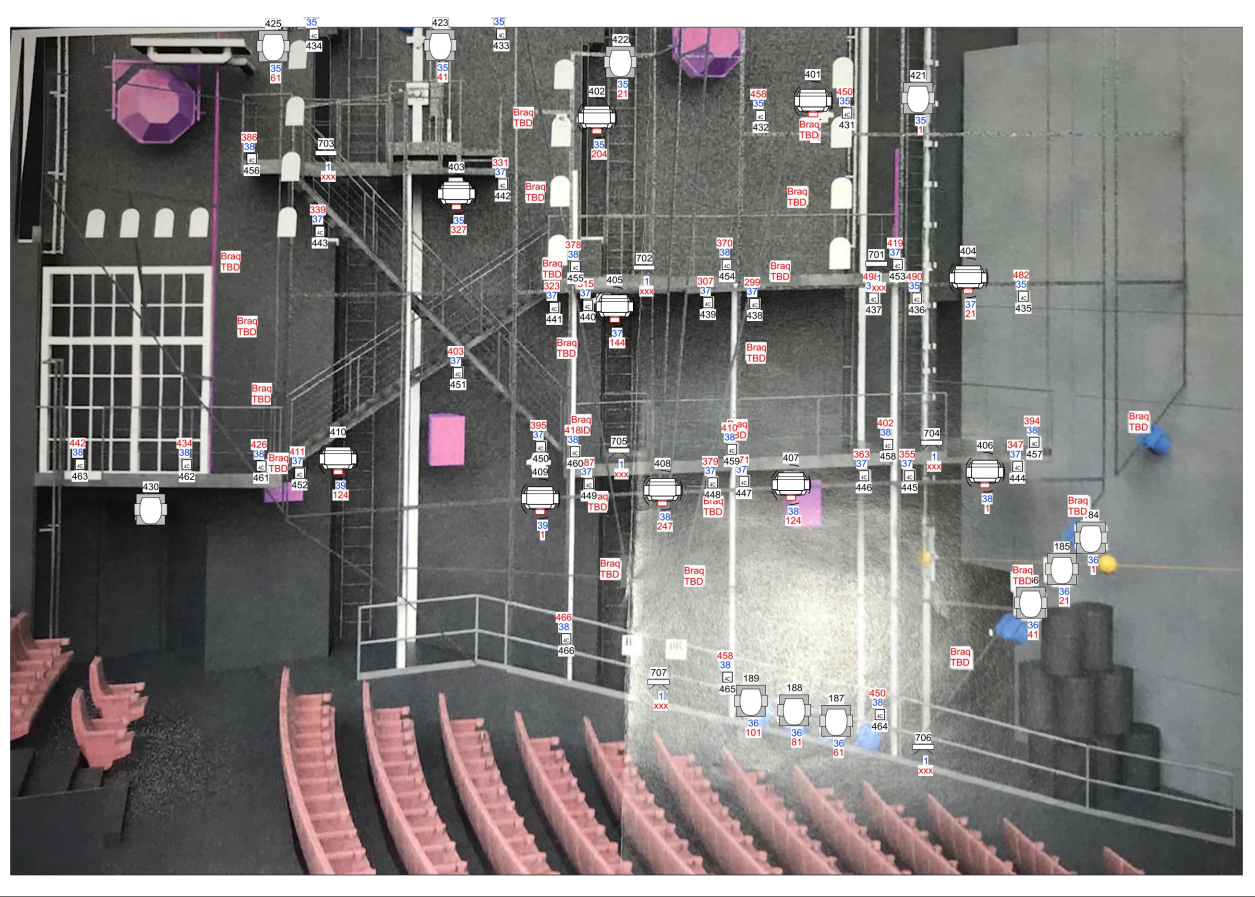
HUMMINGBIRD NO.

DRAWING STATUS

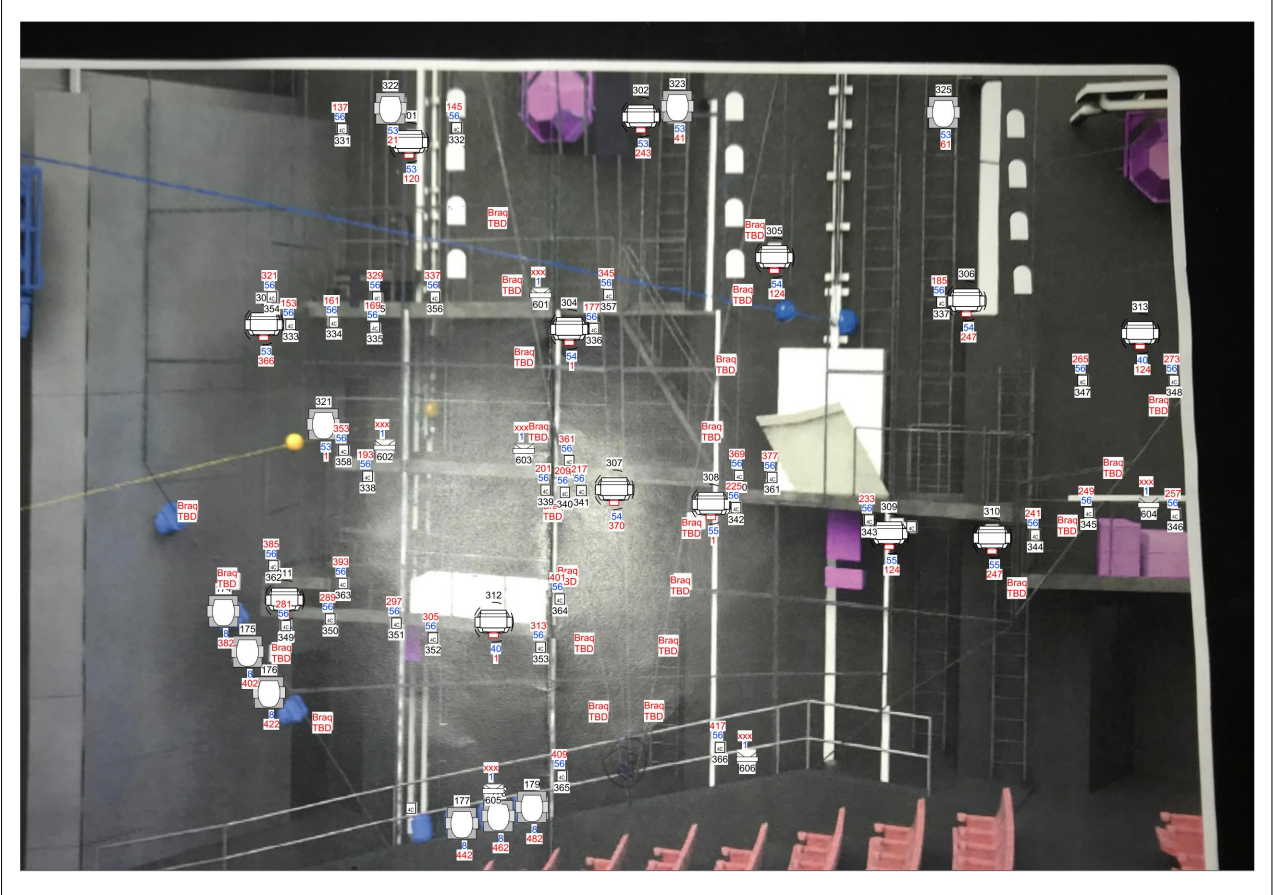
HANG PLOT

DRAWN BY R. BENOIT, J. HIND	DATE 2019/05/01
LAST MODIFIED BY J. HIND	DATE 2021/12/11
APPROVED BY	DATE

SHEET NUMBER 15-SPRSTRC	SCALE 1/16"=1'-0"	B
DOC ID NUMBER CDS-0281155	REVISION 11	



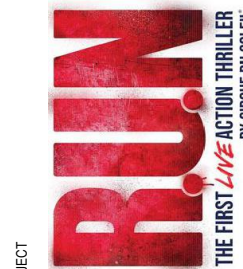
HOUSE LEFT
SUPERSTRUCTURE HANG



HOUSE RIGHT
SUPERSTRUCTURE HANG



CIRQUE DU SOLEIL



LIGHTING DESIGNER
DAVID FINN
ASSOC. LIGHTING DESIGNER
TIM REED

REVISION HISTORY

No	DESCRIPTION TYPE	DATE	BY
004	PRELIM HANG	2019/04/29	JRH
010	FINAL HANG	2019/05/01	JRH

DRAWING DESCRIPTION
SHOW 2D PLAN

GENERAL SECTION

VARIANT

FILE NAME
CDS-0281158 (V8).dwg

PRODUCTION CATEGORY
GENERAL CONCEPT

ELEMENT
PRODUCTION
SUB-ELEMENT
LIGHTING

PROJECT MANAGER 1
JOSHUA HIND
PROJECT MANAGER 2
BENNY KIRKHAM, JOSHUA KOFFMAN

HUMMINGBIRD NO.

DRAWING STATUS

HANG PLOT

DRAWN BY
R. BENOIT, J. HIND

DATE
2019/05/01

LAST MODIFIED BY
J. HIND

DATE
2021/12/11

APPROVED BY

DATE

SHEET NUMBER
01

SCALE
1/16"=1'-0"

B

DOC ID NUMBER
CDS-0281155

REVISION
11

[2672]

T.O. PARAPET
EL. 97'-7 1/2"

B.O. STEEL
EL. 89'-9 1/4"

HIGH GRID LEVEL
EL. 81'-0"

[27127]

CATWALK #2 LEVEL
EL. 45'-2"

CATWALK #1 LEVEL
EL. 35'-0"

MEZZANINE LEVEL
EL. 3'-0"

STAGE LEVEL
EL. -8'-0"

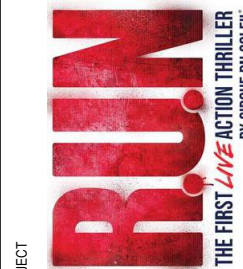
[4877]

UNDERSTAGE LEVEL
EL. -24'-0"





CIRQUE DU SOLEIL



PROJECT

LIGHTING DESIGNER
DAVID FINN
ASSOC. LIGHTING DESIGNER
TIM REED

REVISION HISTORY

No	DESCRIPTION TYPE	DATE	BY
004	PRELIM HANG	2019/04/29	JRH
010	FINAL HANG	2019/05/01	JRH

DRAWING DESCRIPTION
SHOW 2D PLAN

STAGE PORTAL ELEVATION

VARIANT

FILE NAME
CDS-0281173.dwg

PRODUCTION CATEGORY
GENERAL CONCEPT

ELEMENT
PRODUCTION
SUB-ELEMENT
LIGHTING

PROJECT MANAGER 1
JOSHUA HIND
PROJECT MANAGER 2
BENNY KIRKHAM, JOSHUA KOFFMAN

HUMMINGBIRD NO.

DRAWING STATUS

HANG PLOT

DRAWN BY
R. BENOIT, J. HIND

DATE
2019/05/01

LAST MODIFIED BY
J. HIND

DATE
2021/12/11

APPROVED BY

DATE

SHEET NUMBER
01

SCALE
1/16"=1'-0"

B

DOC ID NUMBER
CDS-0281155

REVISION
11

