

Fixtures:

- 60 Chauvet COLORado PXL Curve 12
- 18 Clay Paky Hy B-Eye K25
- 20 Clay Paky Xtylos Aqua
- 36 Elation Proteus Brutus
- 96 Elation Proteus Rayzor 1960
- 83 GLP JDC1 Strobe
- 6 Robe BMFL Followspot
- 18 SGM Q-8
- 46 Vari-Lite VL10 BeamWash
- 22 Vari-Lite VL3600 Profile IP

Video:

- 288 ROE Vanish 8T 1000x1000 Touring Frame

Truss:

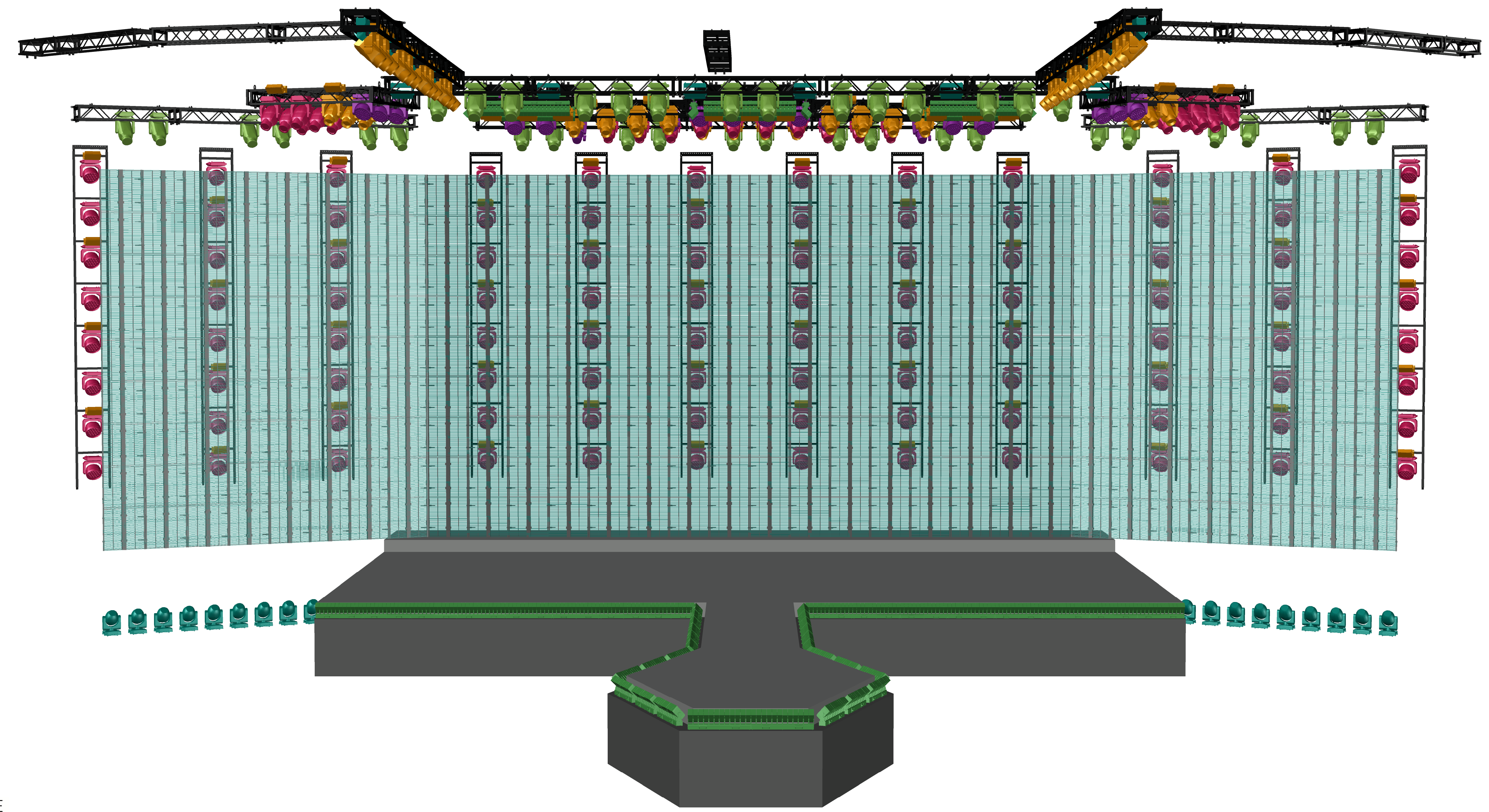
- 3 Fuse Pre-Rig Truss 05'
- 9 Fuse Pre-Rig Truss 05' Sideways Spigot
- 6 Fuse Pre-Rig Truss 08'
- 38 Fuse Pre-Rig Truss 10'
- 6 Fuse Pre-Rig Truss 10' Sideways Spigot
- 10 Fuse Pre-Rig Truss 3x Pod Adapter
- 48 Fuse Torm Double U 40"
- 72 Fuse Torm Egg Coupler
- 12 Fuse Torm Header

Pipe:

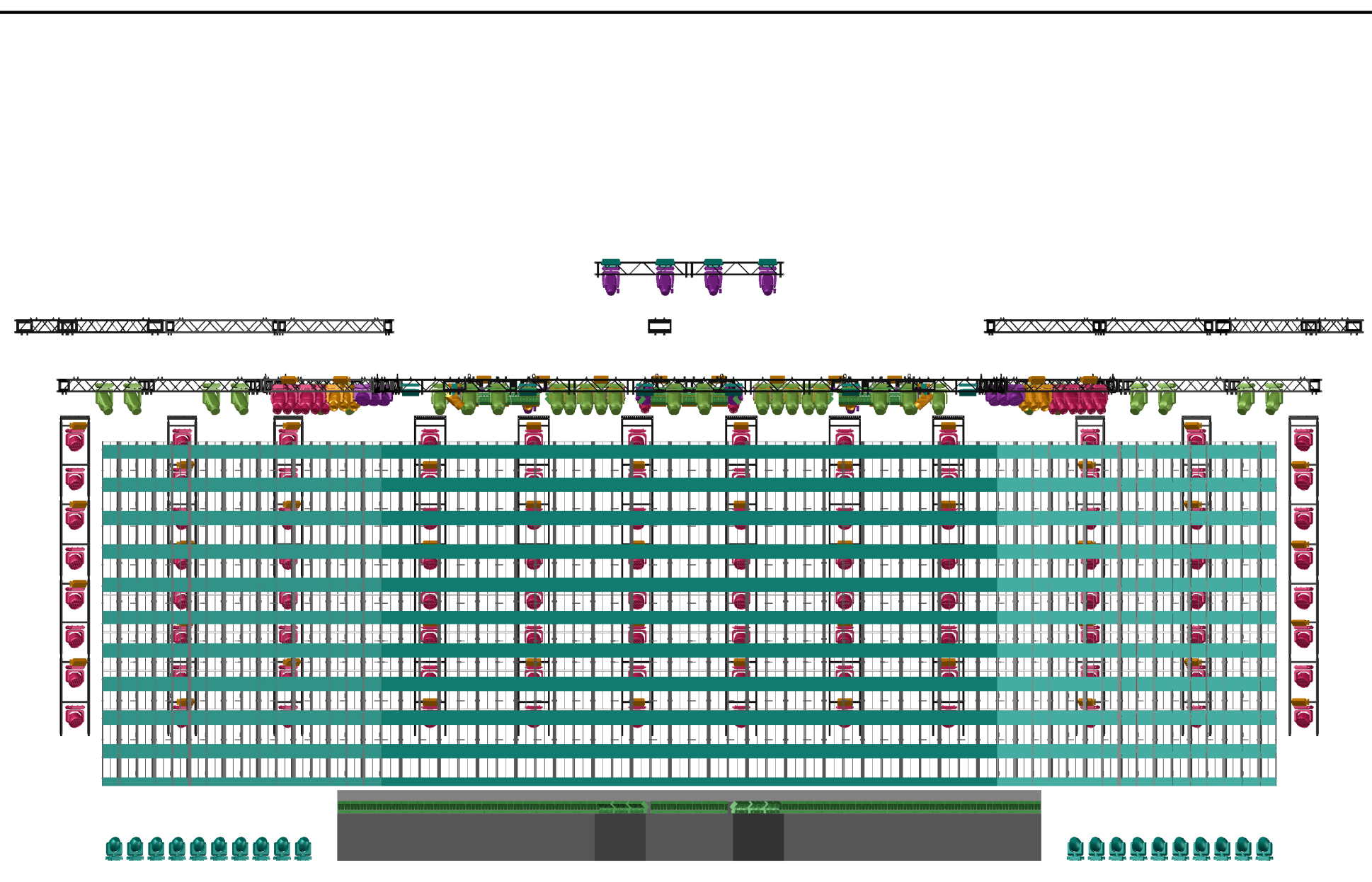
- 6 Aluminum Square Stock 05'
- 6 Aluminum Square Stock 06'

Hardware:

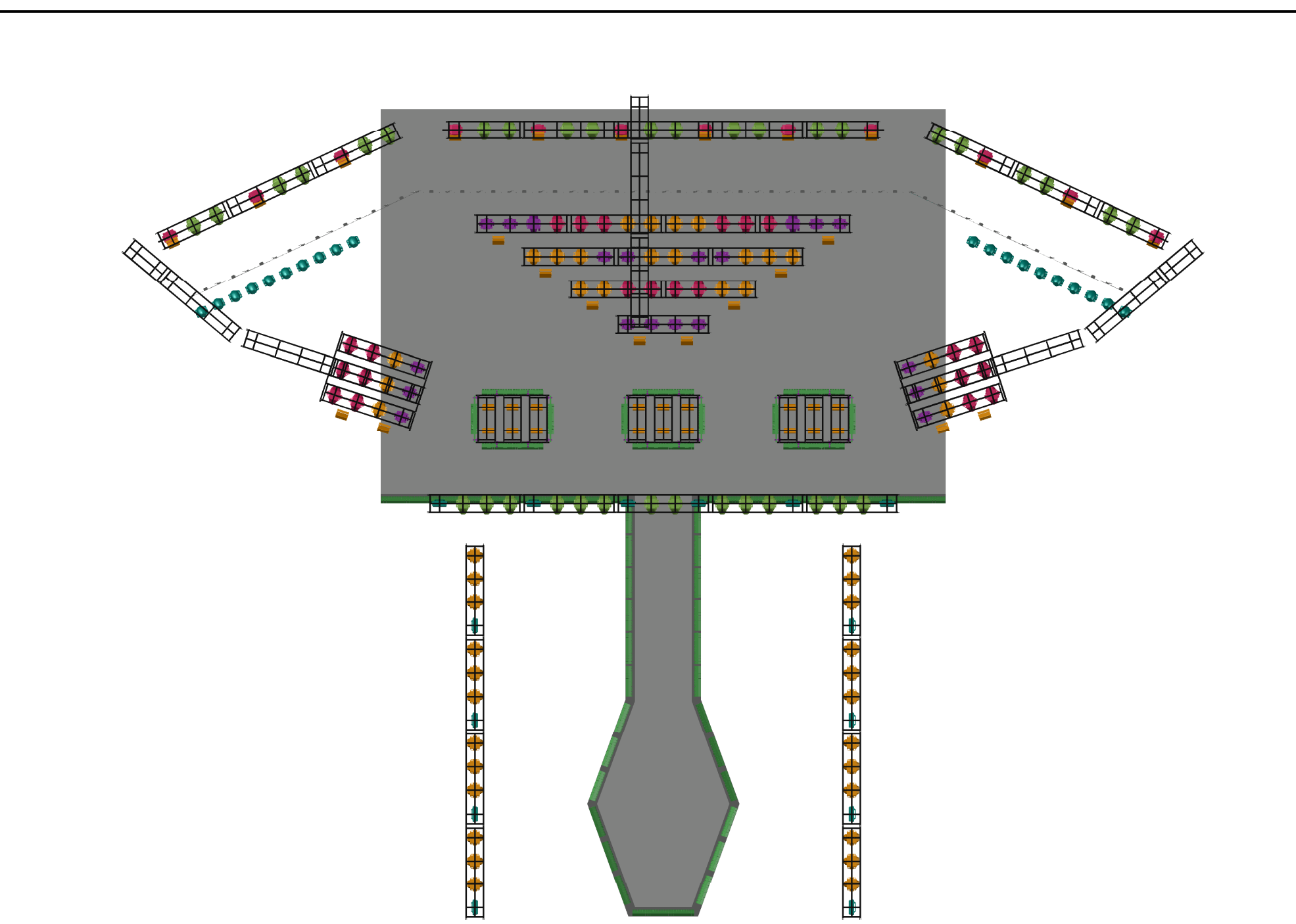
- 24 Square Swivel Coupler



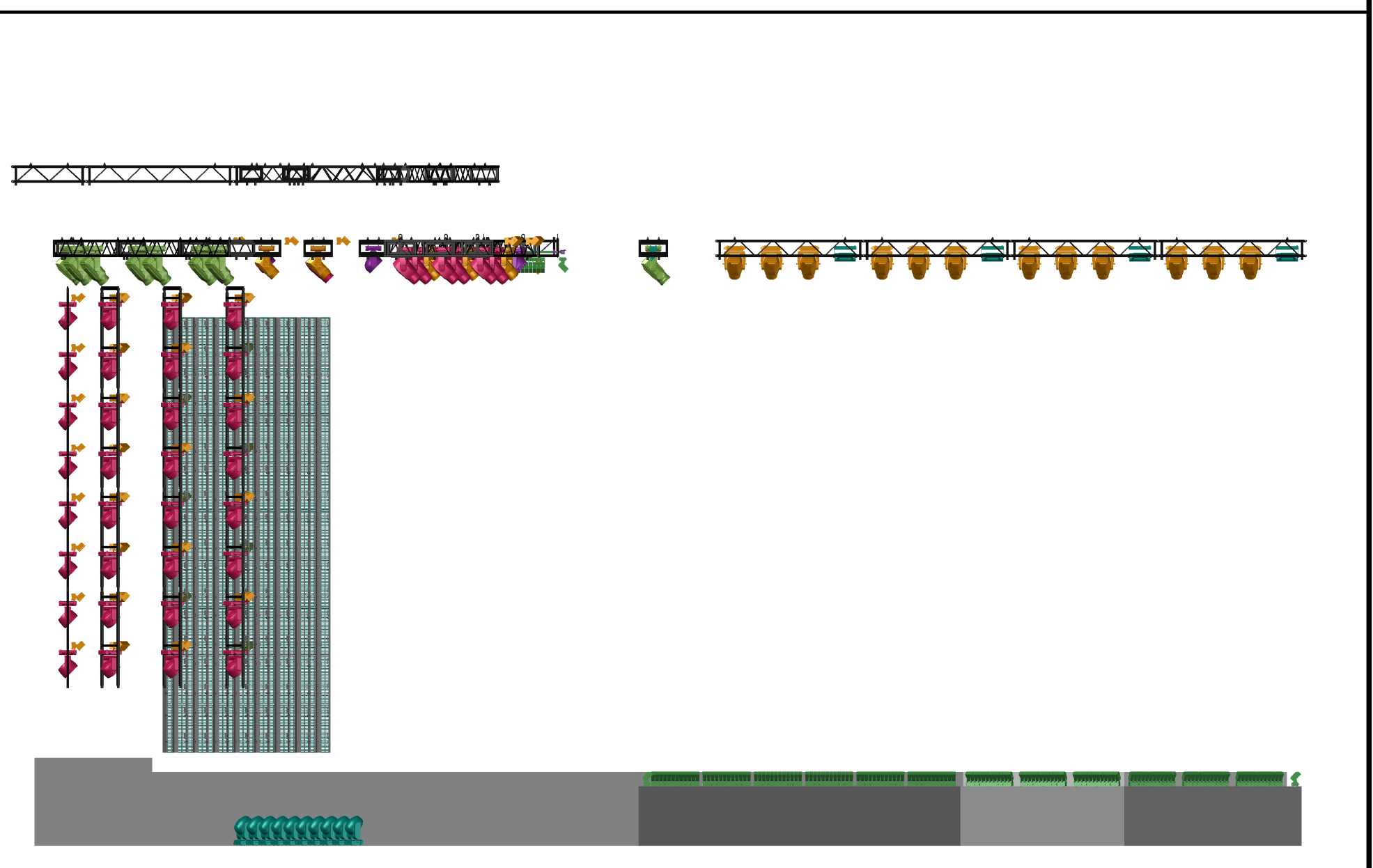
OVERVIEW - PERSPECTIVE  
NTS



OVERVIEW - FRONT ELEVATION  
NTS



OVERVIEW - PLAN  
NTS



OVERVIEW - SIDE ELEVATION  
NTS

DESIGNER

**PATRICK BRANNON**

DRAWING BY

**MATTHEW KNISS**  
MKNISS@FUSE-TG.COM

FILE

TIM MCGRAW 2024.DWG

SOURCE

TMG LIGHTING PLOT 2023.08.17.PDF

PLOT DATE

2.9.2024

REVISION

**3**

PAGE SIZE

ARCH D

SCALE

NTS

TITLE

**OVERVIEW PLOT  
OVERVIEW**

PLATE

**01 OF 06**

These designs and/or drawings are a representation only. The designer and/or draftsman is not a licensed engineer and is not qualified to determine whether the drawing and/or design meets structural safety and/or building code requirements.



**TIM MCGRAW**  
STANDING ROOM ONLY TOUR 2024

- Fixtures:
- 60 Chauvet COLORado PXL Curve K25
  - 18 Clay Paky Hy B-Eye K25
  - 20 Clay Paky Xtylos Aqua
  - 36 Elation Proteus Brutus
  - 96 Elation Proteus Rayzor 1960
  - 83 GLP JDC1 Strobe
  - 6 Robe BMFL Followspot
  - 18 SGM Q-8
  - 46 Vari-Lite VL10 BeamWash
  - 22 Vari-Lite VL3600 Profile IP

- Video:
- 288 ROE Vanish 8T 1000x1000 Touring Frame

- Truss:
- 3 Fuse Pre-Rig Truss 05'
  - 9 Fuse Pre-Rig Truss 05' Sideways Spigot
  - 6 Fuse Pre-Rig Truss 08'
  - 38 Fuse Pre-Rig Truss 10'
  - 6 Fuse Pre-Rig Truss 10' Sideways Spigot
  - 10 Fuse Pre-Rig Truss 3x Pod Adapter
  - 48 Fuse Torm Double U 40"
  - 72 Fuse Torm Egg Coupler
  - 12 Fuse Torm Header

- Pipe:
- 6 Aluminum Square Stock 05'
  - 6 Aluminum Square Stock 06'

- Hardware:
- 24 Square Swivel Coupler

DESIGNER  
**PATRICK BRANNON**

DRAWING BY **MATTHEW KNISS**  
MKNISS@FUSE-TG.COM  
FILE **TIM MCGRAW 2024.DWG**  
SOURCE **TMG LIGHTING PLOT 2023.08.17.PDF**

PLOT DATE **2.9.2024** REVISION  
PAGE SIZE **ARCH D**  
SCALE **1/4" = 1'**

**3**

TITLE  
**OVERVIEW PLOT  
SIDE ELEVATION**

PLATE **02 OF 06**

These designs and/or drawings are a representation only. The designer and/or draftsman is not a licensed engineer and is not qualified to determine whether the drawing and/or design meets structural safety and/or building code requirements.

SIDE ELEVATION  
1/4" = 1'



**TIM MCGRAW**  
STANDING ROOM ONLY TOUR 2024

- Fixtures:**
- Chauvet COLORadO PXL Curve 12 (18 of 60)
  - Clay Paky Hy B-Eye K25 (18 of 18)
  - Elation Proteus Brutus (36 of 36)
  - GLP JDC1 Strobe (30 of 83)
  - Robe BMFL Followspot (6 of 6)
  - SGM Q-8 (18 of 18)
  - Vari-Lite VL10 BeamWash (46 of 46)
  - Vari-Lite VL3600 Profile IP (22 of 22)

- Truss:**
- Fuse Pre-Rig Truss 05' Sideways Spigot (9 of 9)
  - Fuse Pre-Rig Truss 08' (6 of 6)
  - Fuse Pre-Rig Truss 10' (30 of 38)
  - Fuse Pre-Rig Truss 10' Sideways Spigot (6 of 6)
  - Fuse Pre-Rig Truss 3x Pod Adapter (10 of 10)

- Pipe:**
- Aluminum Square Stock 05' (6 of 6)
  - Aluminum Square Stock 06' (6 of 6)

- Hardware:**
- Square Swivel Coupler (24 of 24)

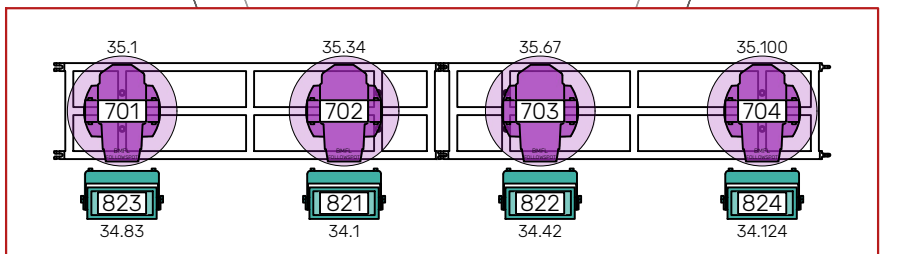
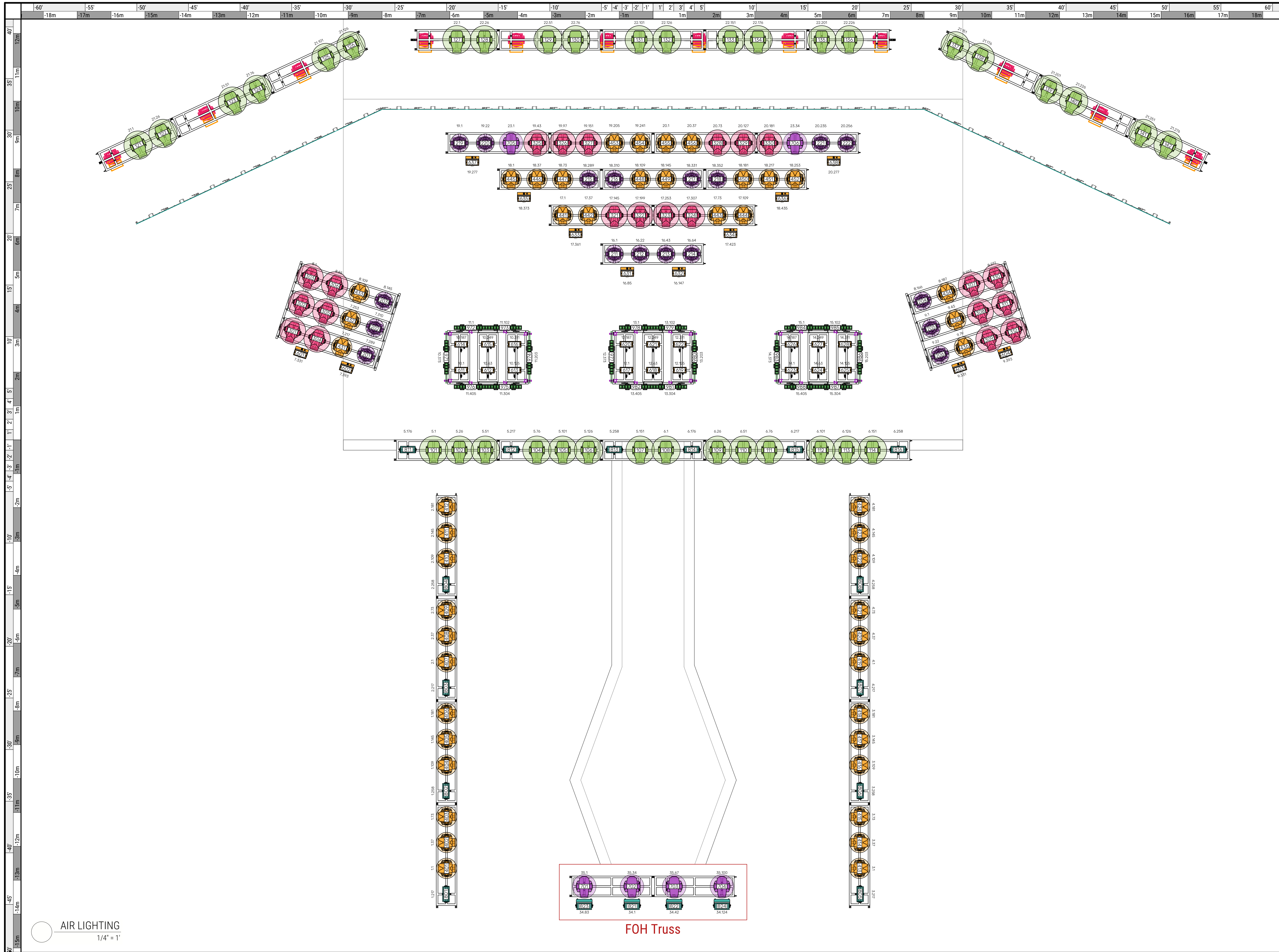
DESIGNER  
**PATRICK BRANNON**

DRAWING BY	MATTHEW KNISS MKNISS@FUSE-TG.COM	
FILE	TIM MCGRAW 2024.DWG	
SOURCE	TMG LIGHTING PLOT 2023.08.17.PDF	
PLOT DATE	2.9.2024	REVISION
PAGE SIZE	ARCH D	<b>3</b>
SCALE	1/4" = 1'	

TITLE  
**LIGHTING PLOT**  
AIR LIGHTING

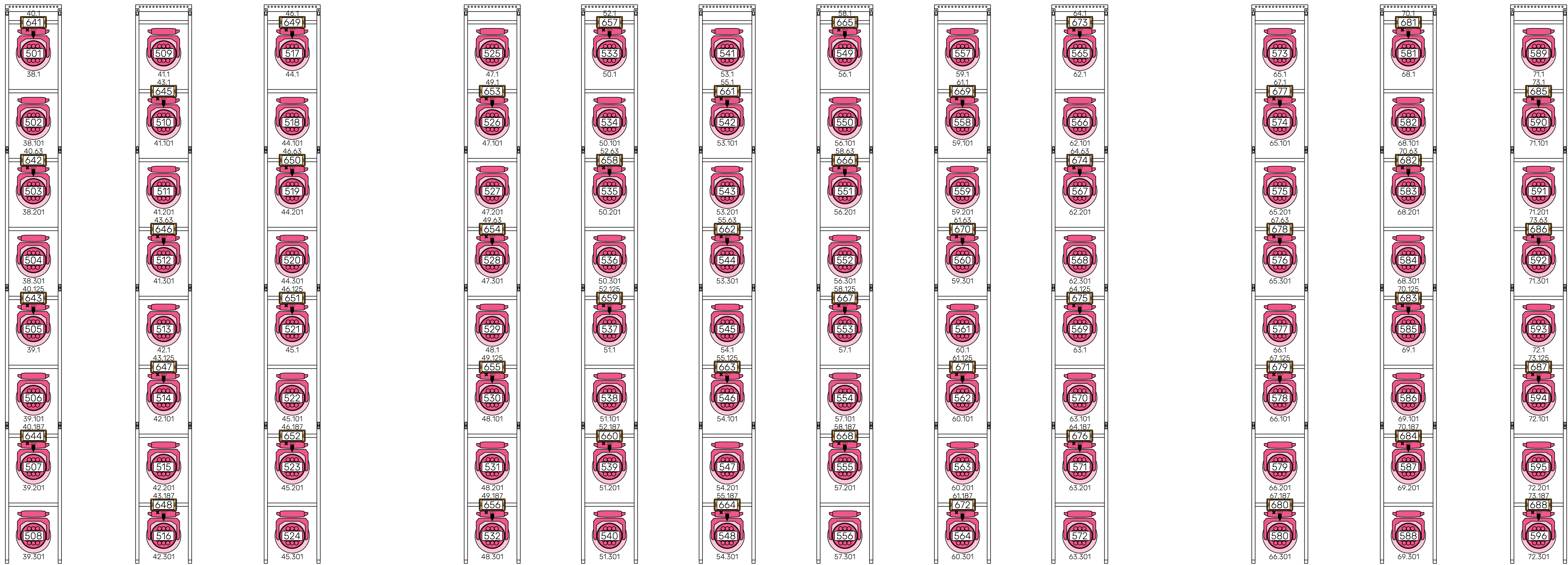
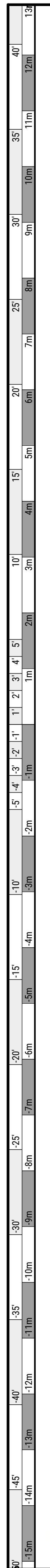
PLATE  
**03 OF 06**

These designs and/or drawings are a representation only. The designer and/or draftsman is not a licensed engineer and is not qualified to determine whether the drawing and/or design meets structural safety and/or building code requirements.



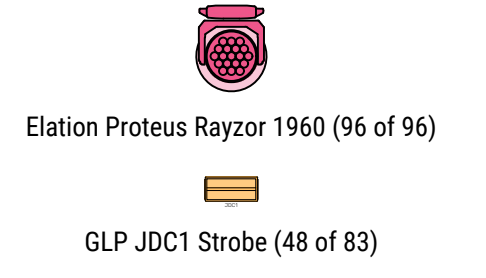
**FOH Truss**

AIR LIGHTING  
1/4" = 1'

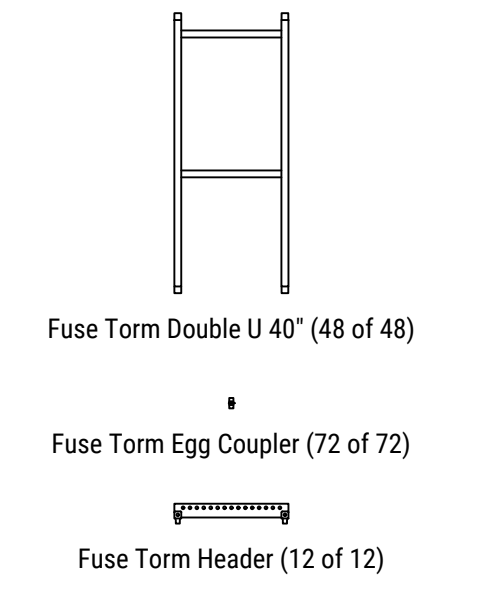


**TIM MCGRAW**  
STANDING ROOM ONLY TOUR 2024

Fixtures:



Truss:



DESIGNER  
**PATRICK BRANNON**

DRAWING BY  
**MATTHEW KNISS**  
MKNISS@FUSE-TG.COM

FILE  
TIM MCGRAW 2024.DWG

SOURCE  
TMG LIGHTING PLOT 2023.08.17.PDF

PLOT DATE  
**2.9.2024**

REVISION

PAGE SIZE  
**ARCH D**

SCALE  
**1/4" = 1'**

TITLE  
**LIGHTING PLOT  
LADDER DETAIL**

PLATE  
**04 OF 06**



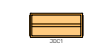
**3**

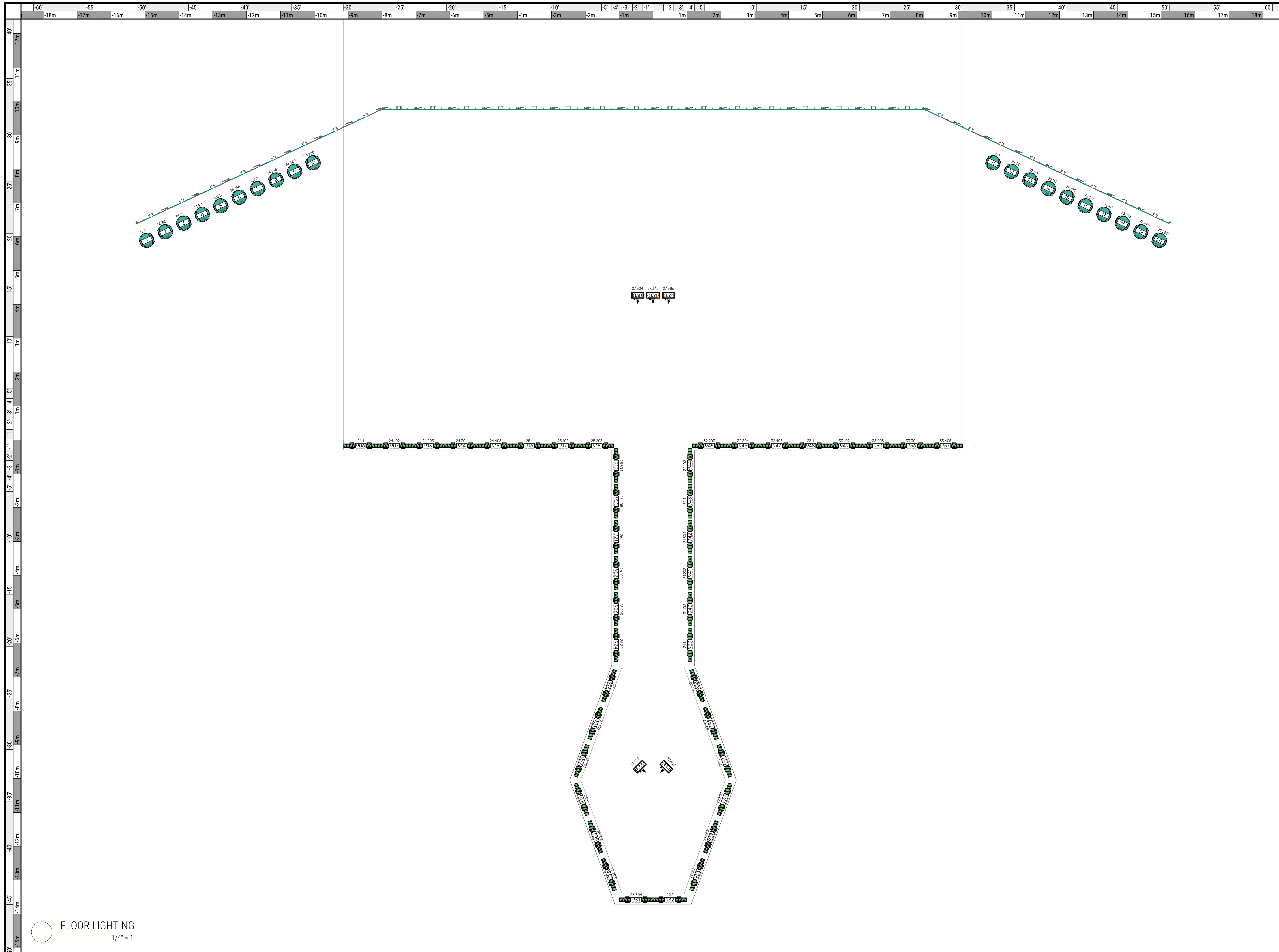
These designs and/or drawings are a representation only. The designer and/or draftsman is not a licensed engineer and is not qualified to determine whether the drawing and/or design meets structural safety and/or building code requirements.

LADDER DETAIL  
1/4" = 1'



**TIM MCGRAW**  
STANDING ROOM ONLY TOUR 2024

- Fixtures:
-  Chauvet COLORado PXL Curve 12 (42 of 60)
  -  Clay Paky Xtylos Aqua (20 of 20)
  -  GLP JDC1 Strobe (5 of 83)



DESIGNER  
**PATRICK BRANNON**

DRAWING BY **MATTHEW KNISS**  
MKNISS@FUSE-TG.COM  
FILE **TIM MCGRAW 2024.DWG**  
SOURCE **TMG LIGHTING PLOT 2023.08.17.PDF**

PLOT DATE **2.9.2024** REVISION  
PAGE SIZE **ARCH D**  
SCALE **1/4" = 1'**

**3**

TITLE  
**LIGHTING PLOT  
FLOOR LIGHTING**

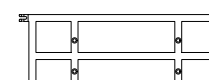
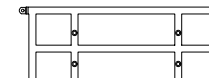
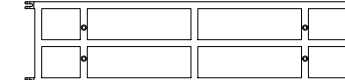
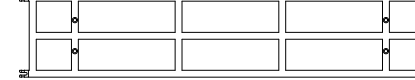


PLATE **05 OF 06**

These designs and/or drawings are a representation only. The designer and/or draftsperson is not a licensed engineer and is not qualified to determine whether the drawing and/or design meets structural safety and/or building code requirements.





**TIM MCGRAW**  
STANDING ROOM ONLY TOUR 2024

Truss:

-  Fuse Pre-Rig Truss 05' (3 of 3)
-  Fuse Pre-Rig Truss 05' Sideways Spigot (9 of 9)
-  Fuse Pre-Rig Truss 08' (6 of 6)
-  Fuse Pre-Rig Truss 10' (38 of 38)
-  Fuse Pre-Rig Truss 10' Sideways Spigot (6 of 6)
-  Fuse Pre-Rig Truss 3x Pod Adapter (10 of 10)

Pipe:

-  Aluminum Square Stock 05' (6 of 6)
-  Aluminum Square Stock 06' (6 of 6)

Hardware:

-  Square Swivel Coupler (24 of 24)

DESIGNER

**PATRICK BRANNON**

DRAWING BY

**MATTHEW KNISS**  
MKNISS@FUSE-TG.COM

FILE

TIM MCGRAW 2024.DWG

SOURCE

TMG LIGHTING PLOT 2023.08.17.PDF

PLOT DATE

2.9.2024

REVISION

PAGE SIZE

ARCH D

**3**

SCALE

1/4" = 1'

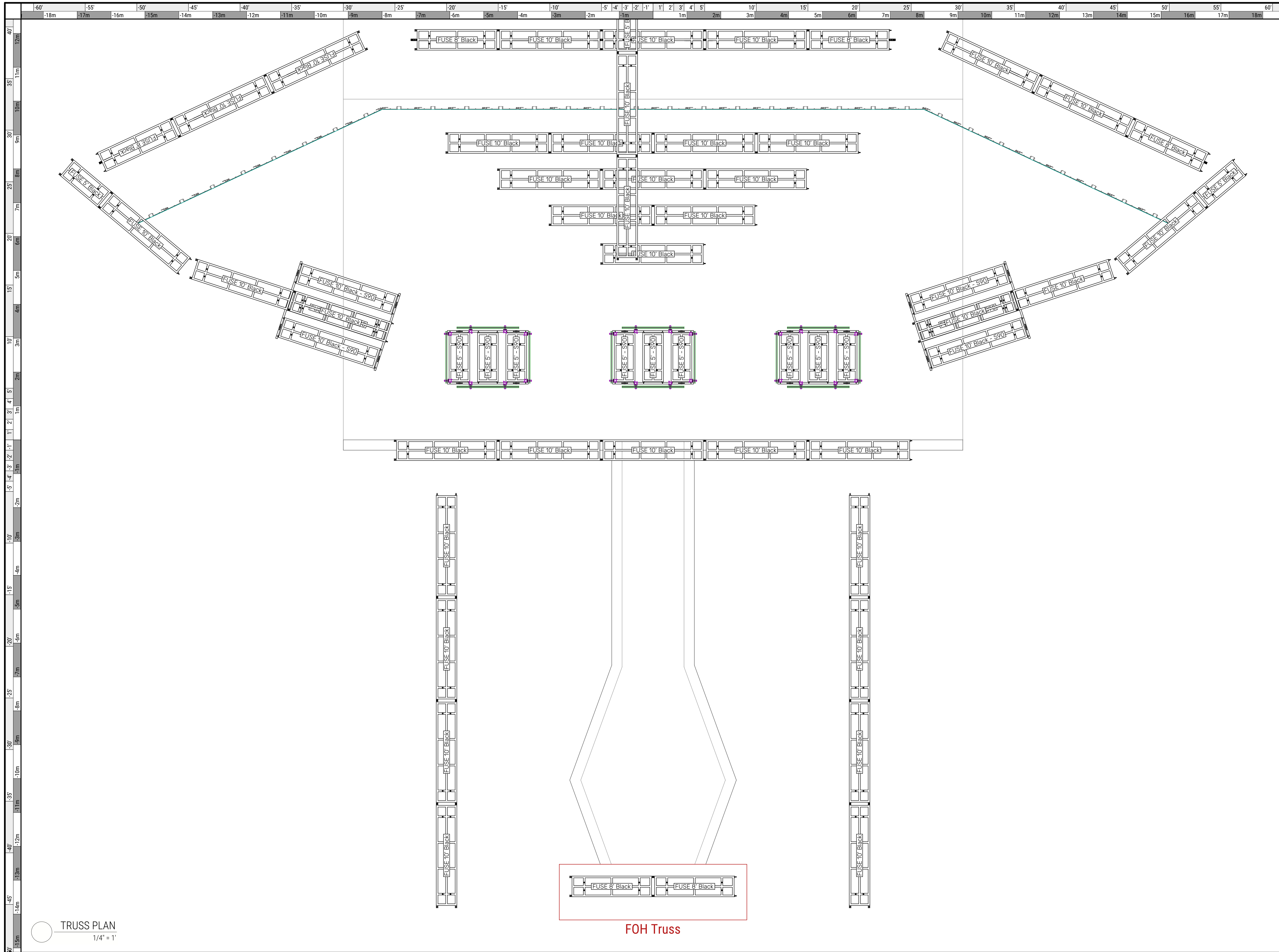
TITLE

**RIGGING PLOT**  
**TRUSS PLAN**

PLATE

**06** OF **06**

These designs and/or drawings are a representation only. The designer and/or draftsman is not a licensed engineer and is not qualified to determine whether the drawing and/or design meets structural safety and/or building code requirements.



TRUSS PLAN  
1/4" = 1'

**FOH Truss**