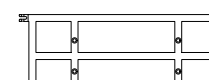
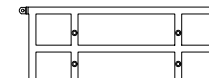
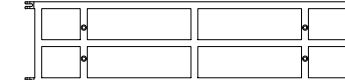
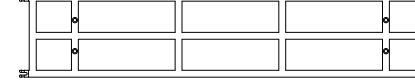








TIM MCGRAW
STANDING ROOM ONLY TOUR 2024

Truss:

-  Fuse Pre-Rig Truss 05' (3 of 3)
-  Fuse Pre-Rig Truss 05' Sideways Spigot (9 of 9)
-  Fuse Pre-Rig Truss 08' (6 of 6)
-  Fuse Pre-Rig Truss 10' (38 of 38)
-  Fuse Pre-Rig Truss 10' Sideways Spigot (6 of 6)
-  Fuse Pre-Rig Truss 3x Pod Adapter (10 of 10)

Pipe:

-  Aluminum Square Stock 05' (6 of 6)
-  Aluminum Square Stock 06' (6 of 6)

Hardware:

-  Square Swivel Coupler (24 of 24)

DESIGNER

PATRICK BRANNON

DRAWING BY

MATTHEW KNISS
MKNISS@FUSE-TG.COM

FILE

TIM MCGRAW 2024.DWG

SOURCE

TMG LIGHTING PLOT 2023.08.17.PDF

PLOT DATE

1.5.2024

REVISION

PAGE SIZE

ARCH D

2

SCALE

1/4" = 1'

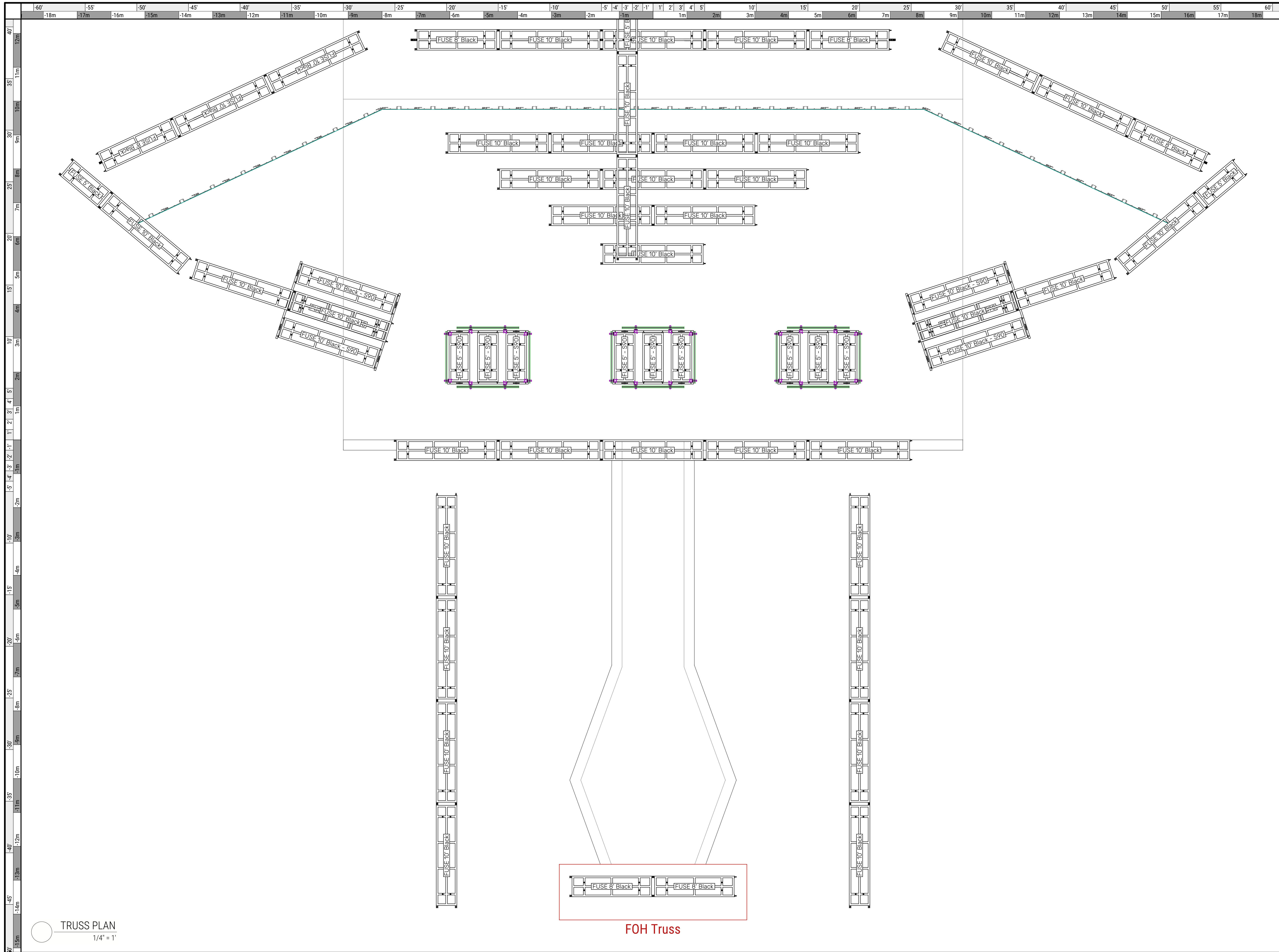
TITLE

RIGGING PLOT
TRUSS PLAN

PLATE

06 OF **06**

These designs and/or drawings are a representation only. The designer and/or draftsman is not a licensed engineer and is not qualified to determine whether the drawing and/or design meets structural safety and/or building code requirements.



TRUSS PLAN
1/4" = 1'

FOH Truss