

THIS DRAWING REPRESENTS VISUAL CONCEPTS, LIGHTING FIXTURE PLACEMENT & ERECTING SUGGESTIONS ONLY!!!

The Designer is not qualified to determine the structural appropriateness of this design and accepts no responsibility or liability for the engineering, fabrication, construction, rigging and weight loading involved in erecting these designs.

This document and the ideas incorporated herein, as an instrument of professional service, are the property of Lee Rose, and are not to be used, in whole or part, for any other project without the prior written authorization of Lee Rose.

This document may not be reproduced or modified in any way without prior written consent of Lee Rose.

© Lee Rose Designs - 2021 (all rights reserved)

REVISIONS

Rev #	Date	Notes
A	9/4/22	First Plot for review
B	9/30/2022	Main street Cars Land shoot cancelled. Looking at Flo's ONLY. Added fixtures for multiple performance coverage
C	10/9/2022	RoboSpot only on ledge at Flo's. Suggested cart for other fixtures. Design TBD. Fixtures left as TBD on plot. Added RoboSpot lift detail. Rigging TBD
D	11/2/22	Sheets cleaned up for printing. Carlsland VL3600 Profiles swapped 1:1 for Elation Proteus Maximus
E	11/6/22	Modified Overhung Fixtures to have 50° tilt forward.

SCALE: 1/4" = 1'0"

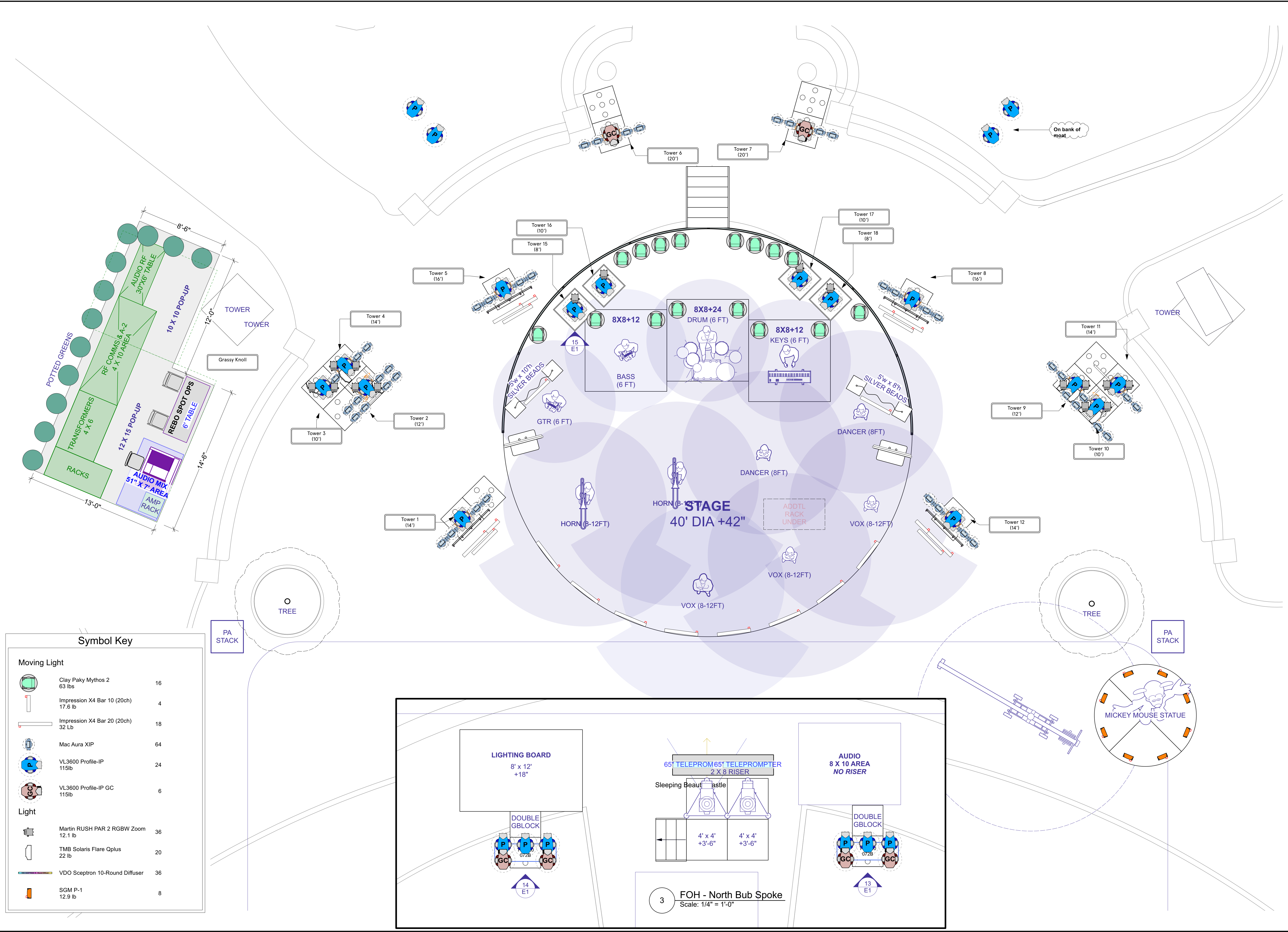
Plot Status: **LOAD-IN**

Production Design:	Patrick Adair
Gaffer:	Tony Ward
Drawn By:	L. Rose/C. Pieratt
CAD File Name:	NYRE_Disney_V8_11_6_22_CP_v2022.vwx
Date:	11/6/22

NEW YEAR'S ROCKIN' EVE 2023
with
RYAN SEACREST @ Disneyland

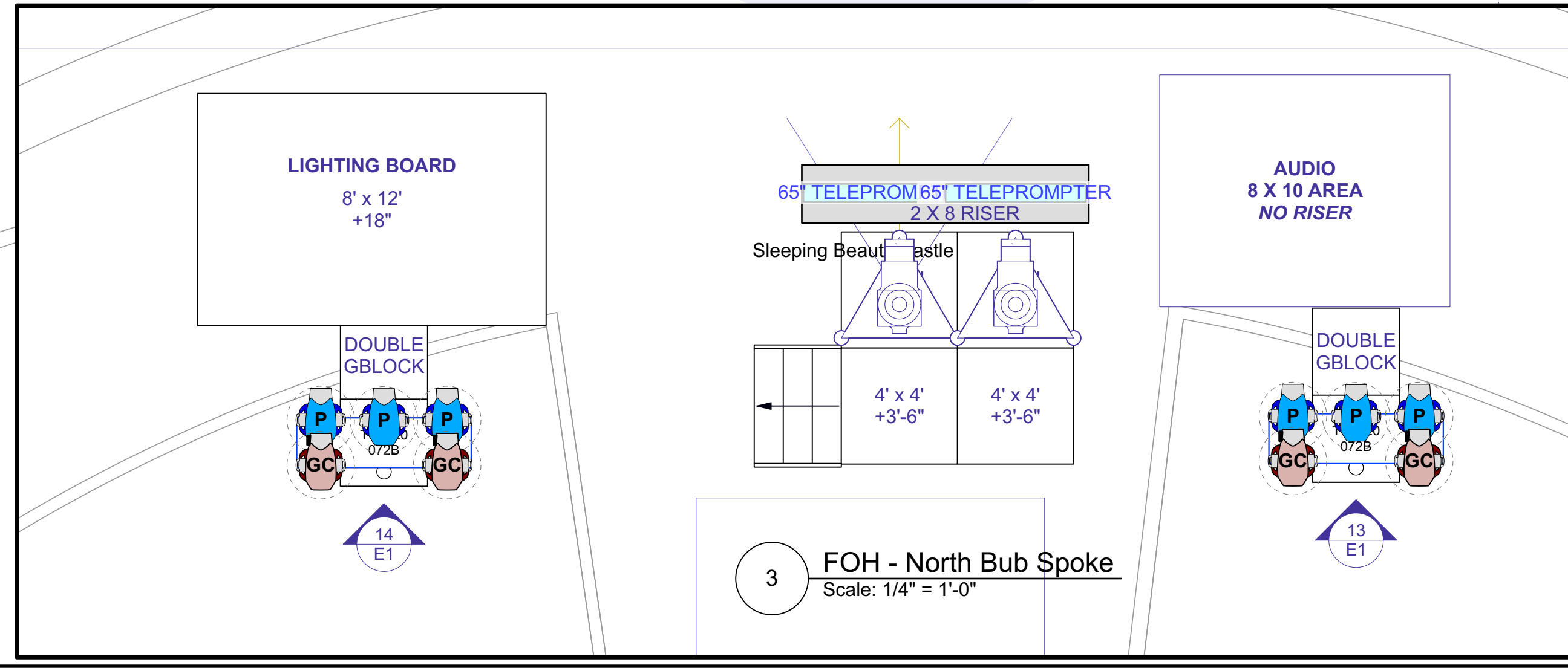
Castle Stage Overview

LX 1 of 20
Sheet



Symbol Key

Moving Light		
	Clay Paky Mythos 2 63 lbs	16
	Impression X4 Bar 10 (20ch) 17.6 lb	4
	Impression X4 Bar 20 (20ch) 32 Lb	18
	Mac Aura XIP	64
	VL3600 Profile-IP 115lb	24
	VL3600 Profile-IP GC 115lb	6
Light		
	Martin RUSH PAR 2 RGBW Zoom 12.1 lb	36
	TMB Solaris Flare Qplus 22 lb	20
	VDO Scepteron 10-Round Diffuser	36
	SGM P-1 12.9 lb	8



THIS DRAWING REPRESENTS VISUAL CONCEPTS, LIGHTING FIXTURE PLACEMENT & ERECTING SUGGESTIONS ONLY!!
 The Designer is not qualified to determine the structural appropriateness of this design and accepts no responsibility or liability for the engineering, fabrication, construction, rigging and weight loading involved in erecting these designs.
 This document and the ideas incorporated herein, as an instrument of professional service, are the property of Lee Rose, and are not to be used, in whole or part, for any other project without the prior written authorization of Lee Rose.
 This document may not be reproduced or modified in any way without prior written consent of Lee Rose.
 © Lee Rose Designs - 2021 (all rights reserved)

REVISIONS

Rev #	Date	Notes
A	9/4/22	First Plot for review
B	9/30/2022	Main street Cars Land shot cancelled. Looking at Flo's ONLY. Added fixtures for multiple performance coverage
C	10/9/2022	RoboSpot only on ledge at Flo's. Suggested cart for other fixtures. Design TBD. Fixtures left as TBD on plot. Added RoboSpot lift detail. Rigging TBD
D	11/2/22	Sheets cleaned up for printing. Carlsland VL3600 Profiles swapped 1:1 for Elation Proteus Maximus
E	11/6/22	Modified Overhung Fixtures to have 50° tilt forward.

SCALE: 1/4" = 1'0"

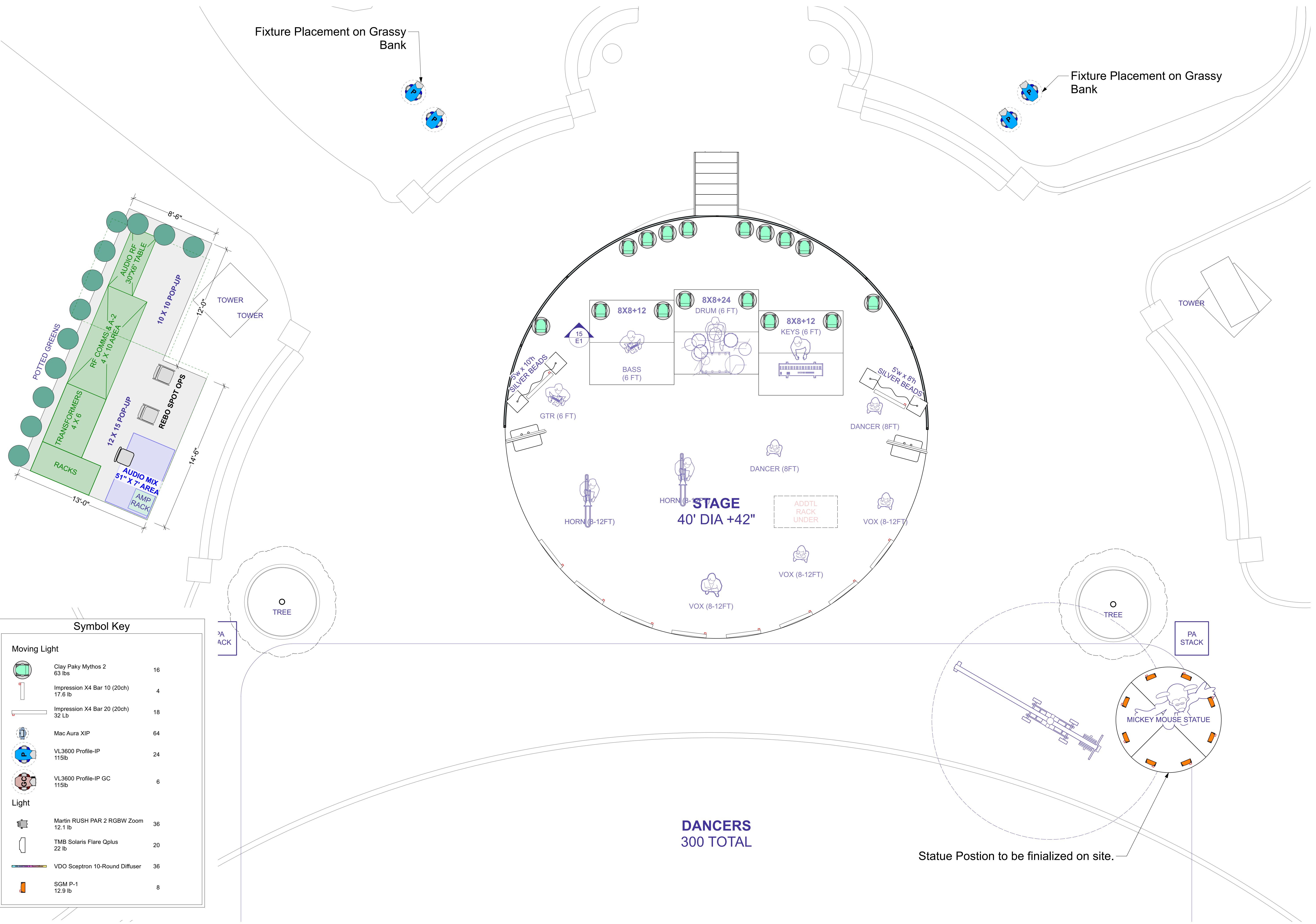
Plot Status: **LOAD-IN**

Production Design:	Patrick Adair
Gaffer:	Tony Ward
Drawn By:	L. Rose/C. Pieratt
CAD File Name:	NYRE_Disney_V8_11_6_22_CP_v2022.vwx
Date:	11/6/22

NEW YEAR'S ROCKIN' EVE 2023
 with
RYAN SEACREST @ Disneyland

Castle Floor

LX 2 of 20
 Sheet



Symbol Key

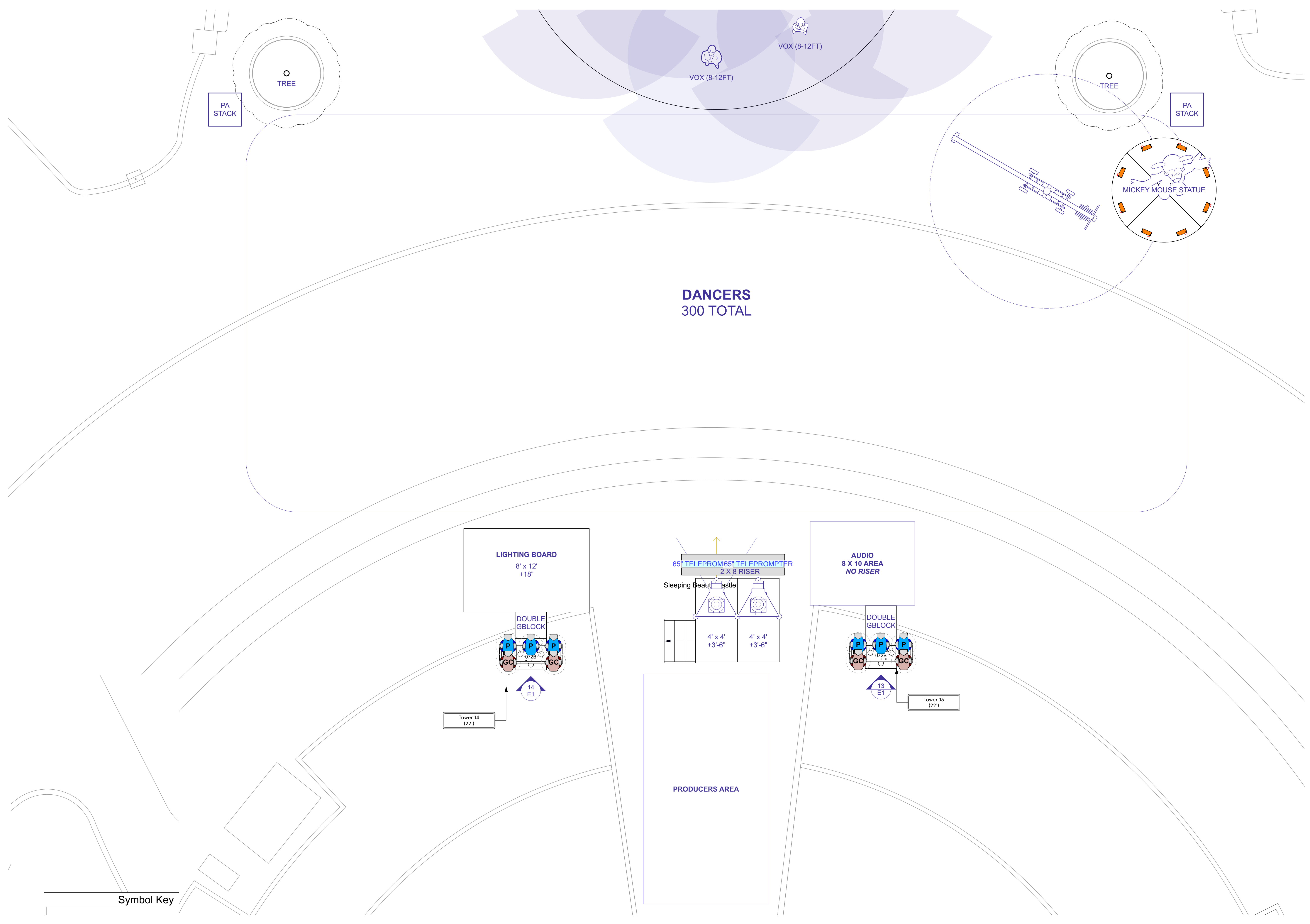
Moving Light		
	Clay Paky Mythos 2 63 lbs	16
	Impression X4 Bar 10 (20ch) 17.6 lb	4
	Impression X4 Bar 20 (20ch) 32 Lb	18
	Mac Aura XIP	64
	VL3600 Profile-IP 115lb	24
	VL3600 Profile-IP GC 115lb	6
Light		
	Martin RUSH PAR 2 RGBW Zoom 12.1 lb	36
	TMB Solaris Flare Qplus 22 lb	20
	VDO Sceptron 10-Round Diffuser	36
	SGM P-1 12.9 lb	8

PA ACK

PA STACK

DANCERS
 300 TOTAL

Statue Position to be finalized on site.



THIS DRAWING REPRESENTS VISUAL CONCEPTS, LIGHTING FIXTURE PLACEMENT & ERECTING SUGGESTIONS ONLY!!!

The Designer is not qualified to determine the structural appropriateness of this design and accepts no responsibility or liability for the engineering, fabrication, construction, rigging and weight loading involved in erecting these designs.

This document and the ideas incorporated herein, as an instrument of professional service, are the property of Lee Rose, and are not to be used, in whole or part, for any other project without the prior written authorization of Lee Rose.

This document may not be reproduced or modified in any way without prior written consent of Lee Rose.

© Lee Rose Designs - 2021 (all rights reserved)

REVISIONS		
Rev #	Date	Notes
A	9/4/22	First Plot for review
B	9/30/2022	Main street Cars Land shoot cancelled. Looking at Flo's ONLY. Added fixtures for multiple performance coverage
C	10/9/2022	RoboSpot only on ledge at Flo's. Suggested cart for other fixtures. Design TBD. Fixtures left as TBD on plot. Added RoboSpot lift detail. Rigging TBD
D	11/2/22	Sheets cleaned up for printing. Carlsland V1.3600 Profiles swapped 1:1 for Elation Proteus Maximus
E	11/6/22	Modified Overhung Fixtures to have 50° tilt forward.

SCALE: 1/4" = 1'0"

Plot Status: **LOAD-IN**

Production Design:	Patrick Adair
Gaffer:	Tony Ward
Drawn By:	L. Rose/C. Pieratt
CAD File Name:	NYRE_Disney_V8_11_6_22_CP_v2022.vwx
Date:	11/6/22

NEW YEAR'S ROCKIN' EVE 2023

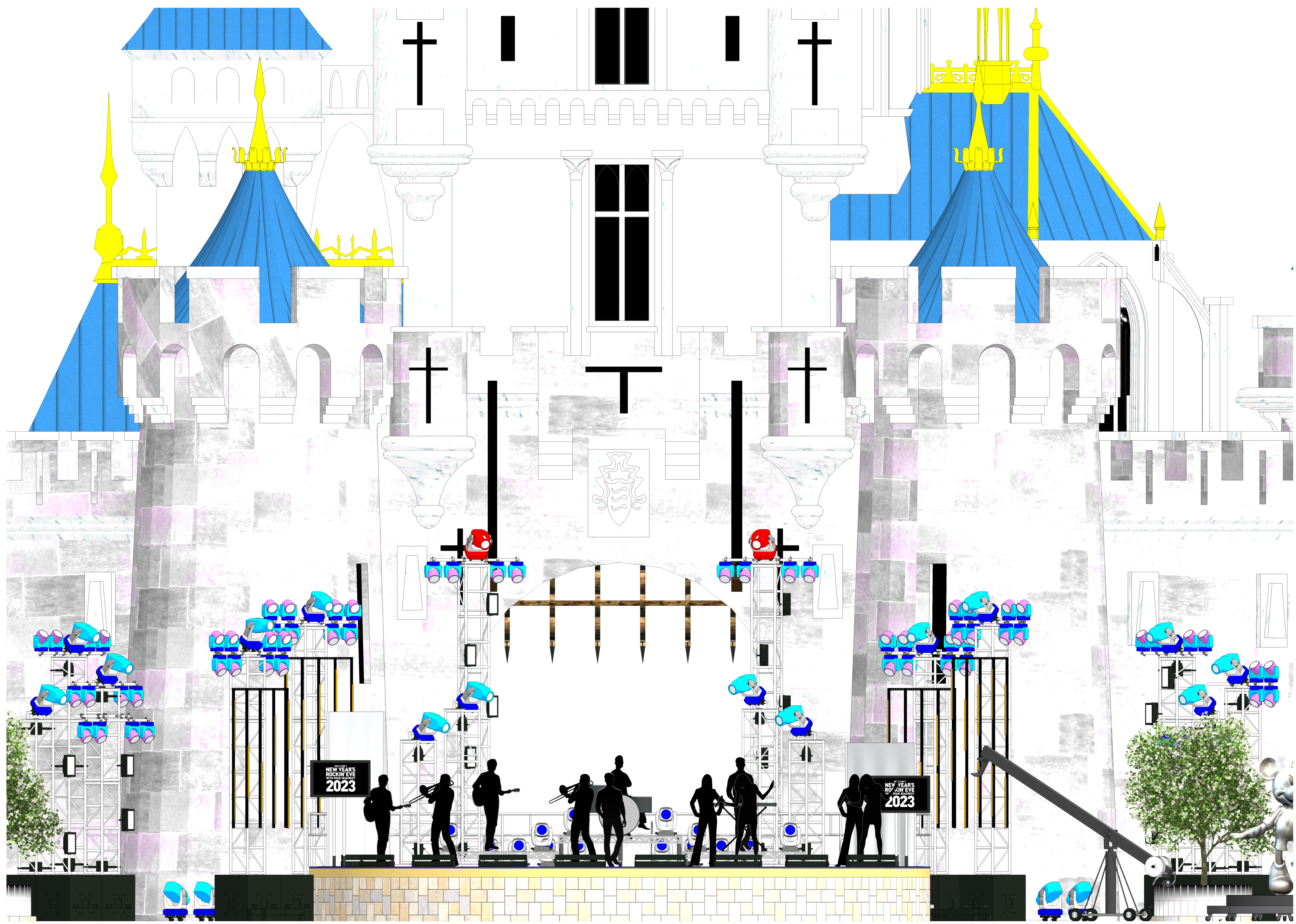
with
RYAN SEACREST @ Disneyland

Castle FOH Overview

LX 3 of 20
Sheet



Symbol Key



THIS DRAWING REPRESENTS VISUAL CONCEPTS, LIGHTING FIXTURE PLACEMENT & ERECTING SUGGESTIONS ONLY!!

The Designer is not qualified to determine the structural appropriateness of the design and accepts no responsibility or liability for the engineering, fabrication, construction, rigging and weight loading involved in erecting these designs.

This document and the ideas incorporated herein, as an instrument of professional service, are the property of Lee Rose, and are not to be used, in whole or part, for any other project without the prior written authorization of Lee Rose.

This document may not be reproduced or modified in any way without prior written consent of Lee Rose.

© Lee Rose Designs - 2021 (all rights reserved)

REVISIONS

Rev #	Date	Notes
A	9/4/22	First Plot for review
B	9/30/2022	Main street Cars Land shoot cancelled. Looking at Flo's ONLY. Added fixtures for multiple performance coverage
C	10/9/2022	RoboSpot only on ledge at Flo's. Suggested cart for other fixtures. Design TBD. Fixtures left as TBD on plot. Added RoboSpot lift detail. Rigging TBD
D	11/2/22	Sheets cleaned up for printing. Carlsland V8.3600 Profiles swapped 1:1 for Elation Proteus Maximus
E	11/6/22	Modified Overhung Fixtures to have 50° tilt forward.

SCALE: 1/4" = 1'0"

Plot Status: **LOAD-IN**

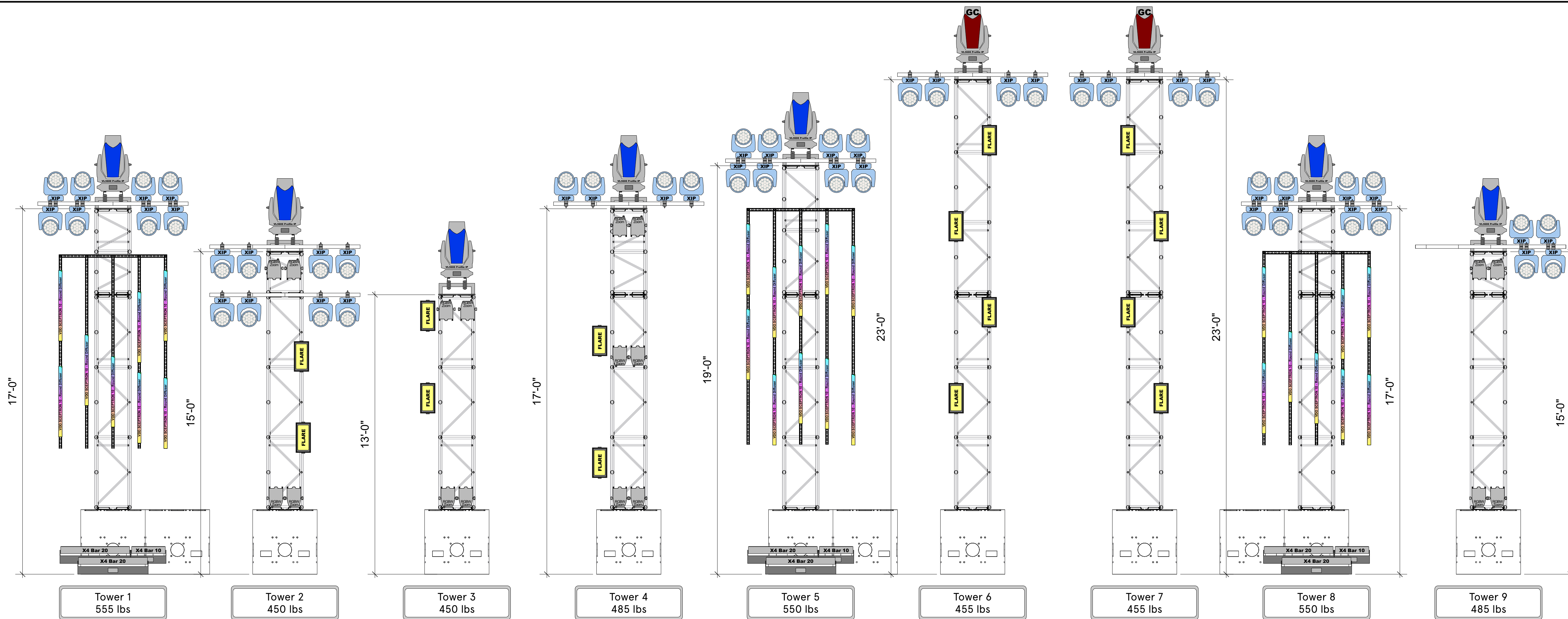
Production Design:	Patrick Adair
Gaffer:	Tony Ward
Drawn By:	L. Rose/C. Pieratt
CAD File Name:	NYRE_Disney_V8_11_6_22_CP_v2022.vwx
Date:	11/6/22

NEW YEAR'S ROCKIN' EVE 2023
with
RYAN SEACREST @ Disneyland

Castle Stage Elevation

LX 4 of 20
Sheet





Symbol Key		
Automated Fixtures		
	VL3600 Profile-IP 115lb	20
	VL3600 Profile-IP GC 115lb	6
	Mac Aura XIP	64
	Impression X4 Bar 10 (20ch) 17.6 lb	4
	Impression X4 Bar 20 (20ch) 32 Lb	8
LED Static Fixtures		
	Martin RUSH PAR 2 RGBW Zoom 12.1 lb	36
	TMB Solaris Flare Qplus 22 lb	20
	VDO Sceptron 10-Round Diffuser	36

THIS DRAWING REPRESENTS VISUAL CONCEPTS, LIGHTING FIXTURE PLACEMENT & ERECTING SUGGESTIONS ONLY!!!

The Designer is not qualified to determine the structural appropriateness of this design and accepts no responsibility or liability for the engineering, fabrication, construction, rigging and weight loading involved in erecting these designs.

This document and the ideas incorporated herein, as an instrument of professional service, are the property of Lee Rose, and are not to be used, in whole or part, for any other project without the prior written authorization of Lee Rose.

This document may not be reproduced or modified in any way without prior written consent of Lee Rose.

© Lee Rose Designs - 2021 (all rights reserved)

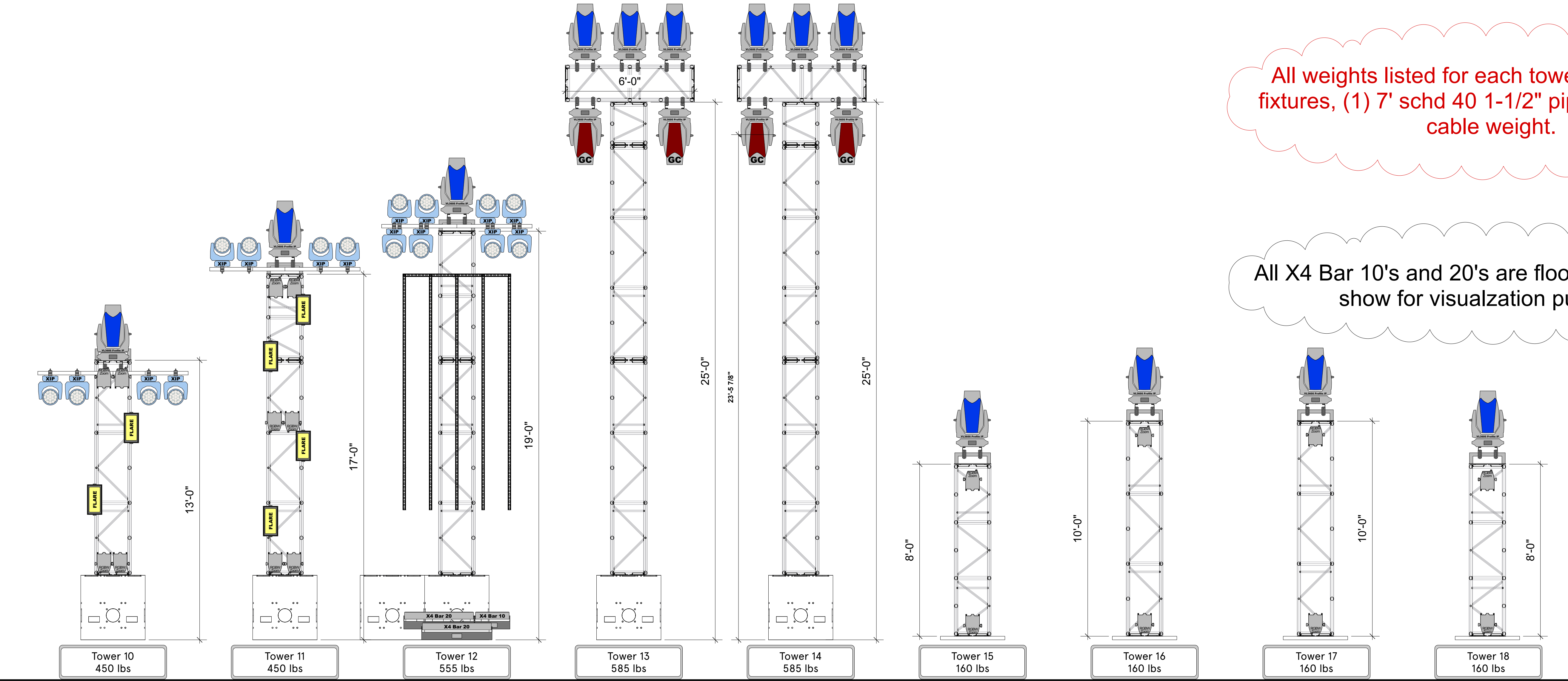
REVISIONS

Rev #	Date	Notes
A	9/4/22	First Plot for review
B	9/30/2022	Main street Cars Land shoot cancelled. Looking at Flo's ONLY. Added fixtures for multiple performance coverage
C	10/9/2022	RoboSpot only on ledge at Flo's. Suggested cart for other fixtures. Design TBD. Fixtures left as TBD on plot. Added RoboSpot lift detail. Rigging TBD
D	11/2/22	Sheets cleaned up for printing. Castled VL3600 Profiles swapped 1:1 for Elation Proteus Maximus
E	11/6/22	Modified Overhung Fixtures to have 50° tilt forward.

SCALE: 1/4" = 1'0"

Plot Status: **LOAD-IN**

Production Design:	Patrick Adair
Gaffer:	Tony Ward
Drawn By:	L. Rose/C. Pieratt
CAD File Name:	NYRE_Disney_V8_11_6_22_CP_v2022.vwx
Date:	11/6/22



All weights listed for each tower accounts for fixtures, (1) 7' schd 40 1-1/2" pipe, and 50lbs of cable weight.

All X4 Bar 10's and 20's are floor mounted. Only show for visualization purposes

NEW YEAR'S ROCKIN' EVE 2023
with
RYAN SEACREST @ Disneyland

Castle Tower
Detail ALL

LX 5 of 20
Sheet



THIS DRAWING REPRESENTS VISUAL CONCEPTS, LIGHTING FIXTURE PLACEMENT & ERECTING SUGGESTIONS ONLY!!

The Designer is not qualified to determine the structural appropriateness of this design and accepts no responsibility or liability for the engineering, fabrication, construction, rigging and weight loading involved in erecting these designs.

This document and the ideas incorporated herein, as an instrument of professional service, are the property of Lee Rose, and are not to be used, in whole or part, for any other project without the prior written authorization of Lee Rose.

This document may not be reproduced or modified in any way without prior written consent of Lee Rose.

© Lee Rose Designs - 2021 (all rights reserved)

REVISIONS

Rev #	Date	Notes
A	9/4/22	First Plot for review
B	9/30/2022	Main street Cars Land shoot cancelled. Looking at Flo's ONLY. Added fixtures for multiple performance coverage
C	10/9/2022	RoboSpot only on ledge at Flo's. Suggested cart for other fixtures. Design TBD. Fixtures left as TBD on plot. Added RoboSpot lift detail. Rigging TBD
D	11/2/22	Sheets cleaned up for printing. Carlsland VL3600 Profiles swapped 1:1 for Elation Proteus Maximus
E	11/6/22	Modified Overhung Fixtures to have 50° tilt forward.

SCALE: 1/4" = 1'0"

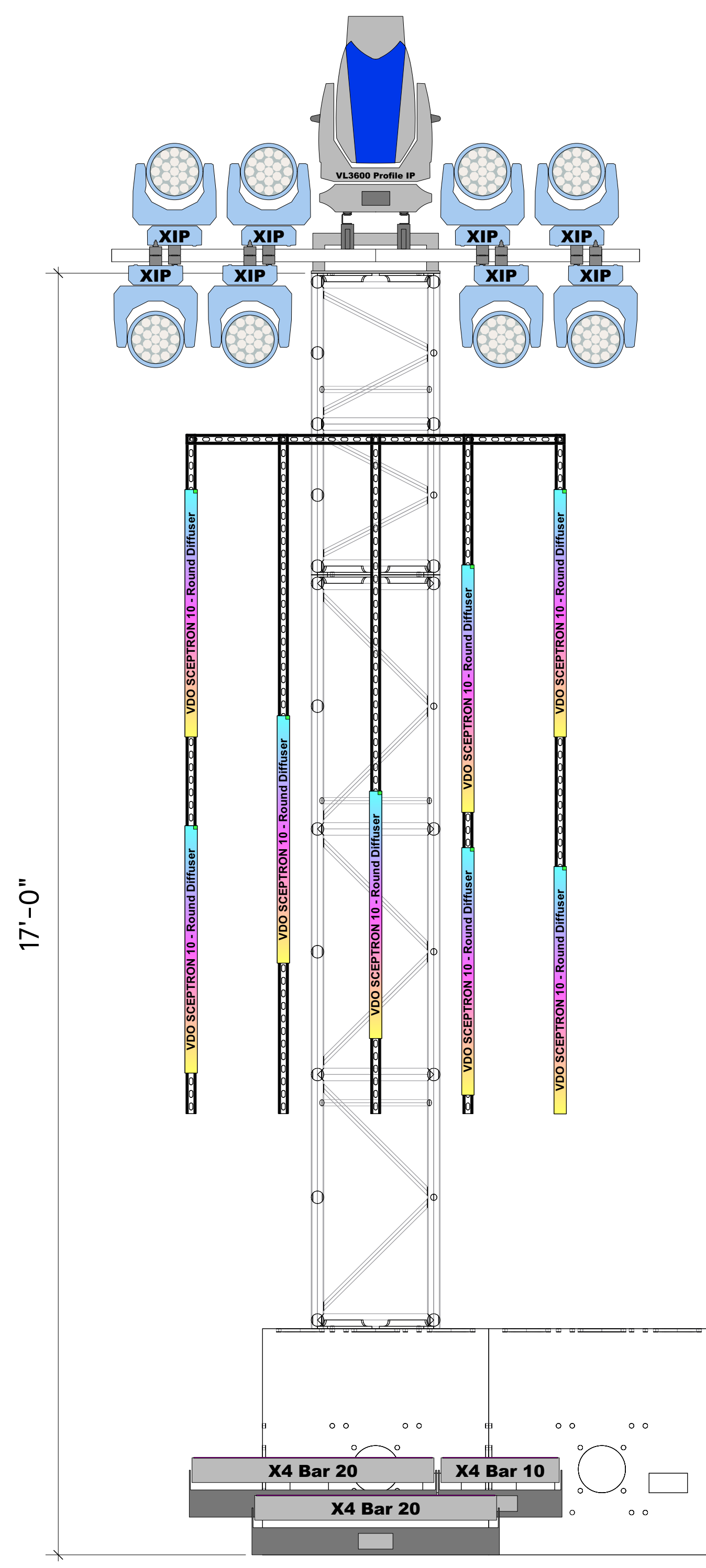
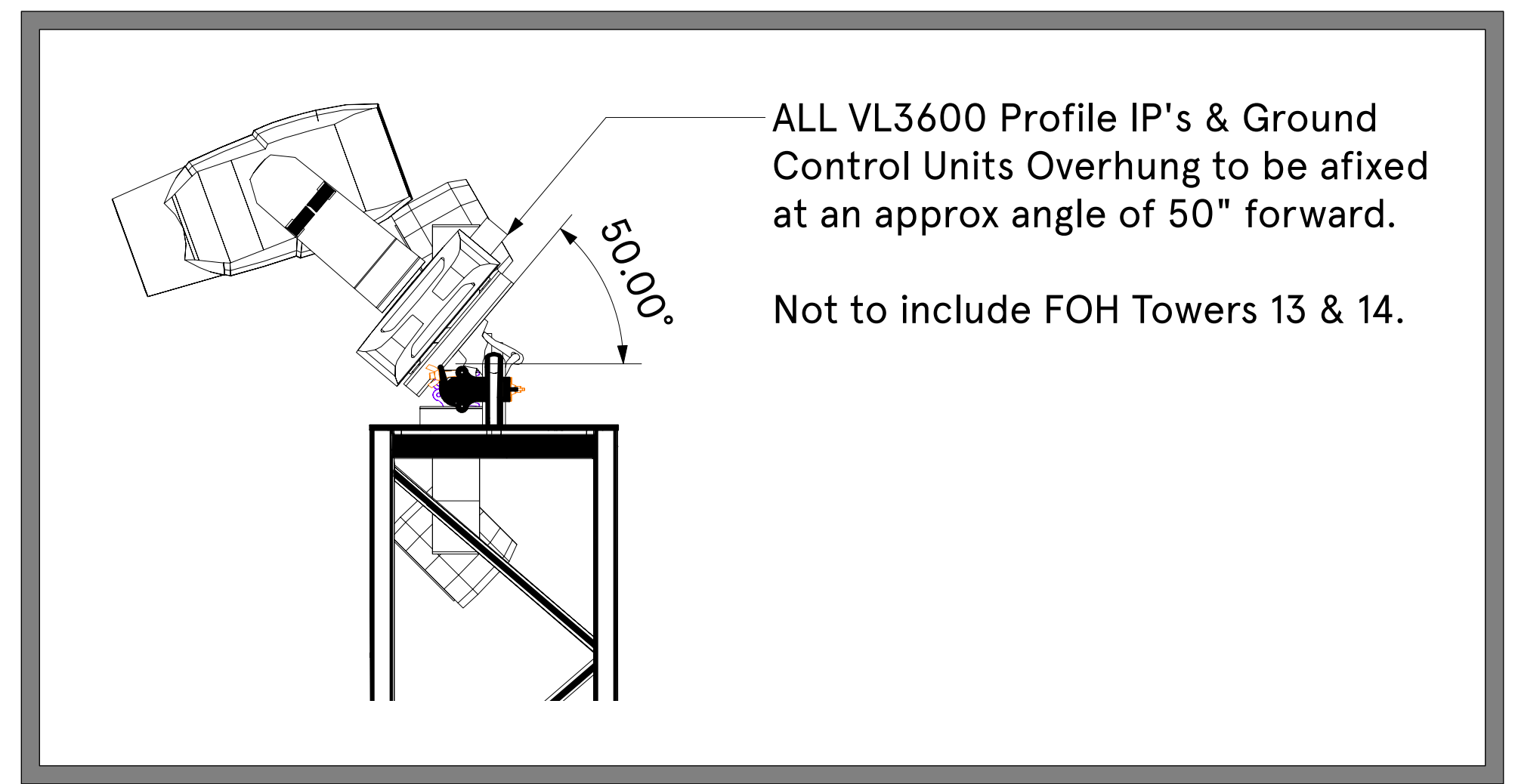
Plot Status: **LOAD-IN**

Production Design:	Patrick Adair
Gaffer:	Tony Ward
Drawn By:	L. Rose/C. Pieratt
CAD File Name:	NYRE_Disney_V8_11_6_22_CP_v2022.vwx
Date:	11/6/22

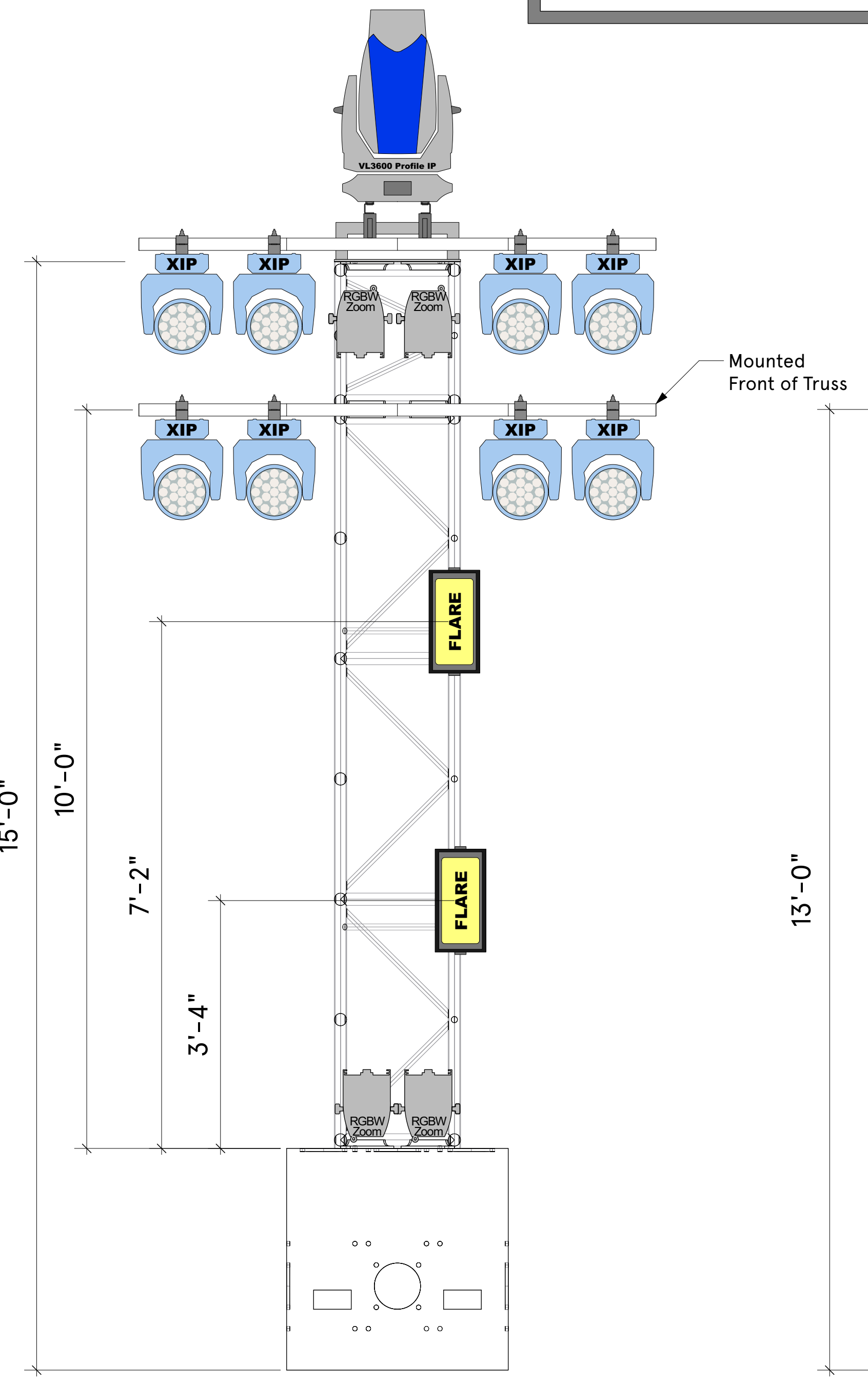
NEW YEAR'S ROCKIN' EVE 2023
with
RYAN SEACREST @ Disneyland

Castle Tower
Detail 1-4

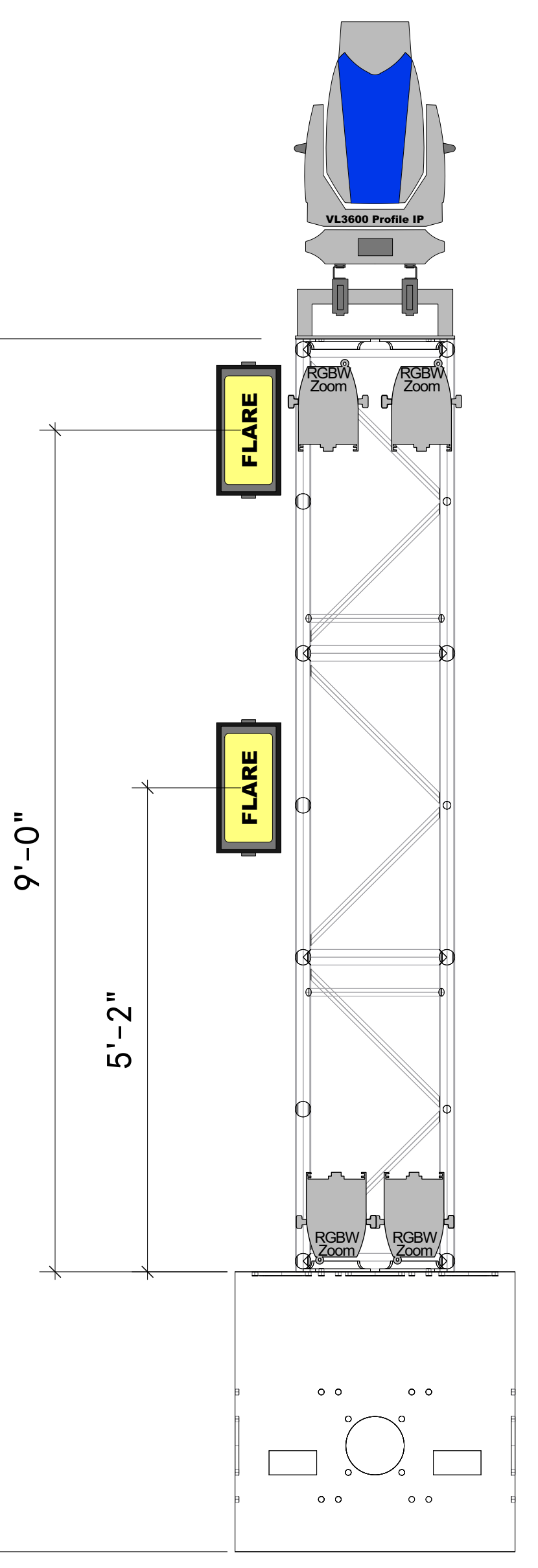
LX 6 of 20
Sheet



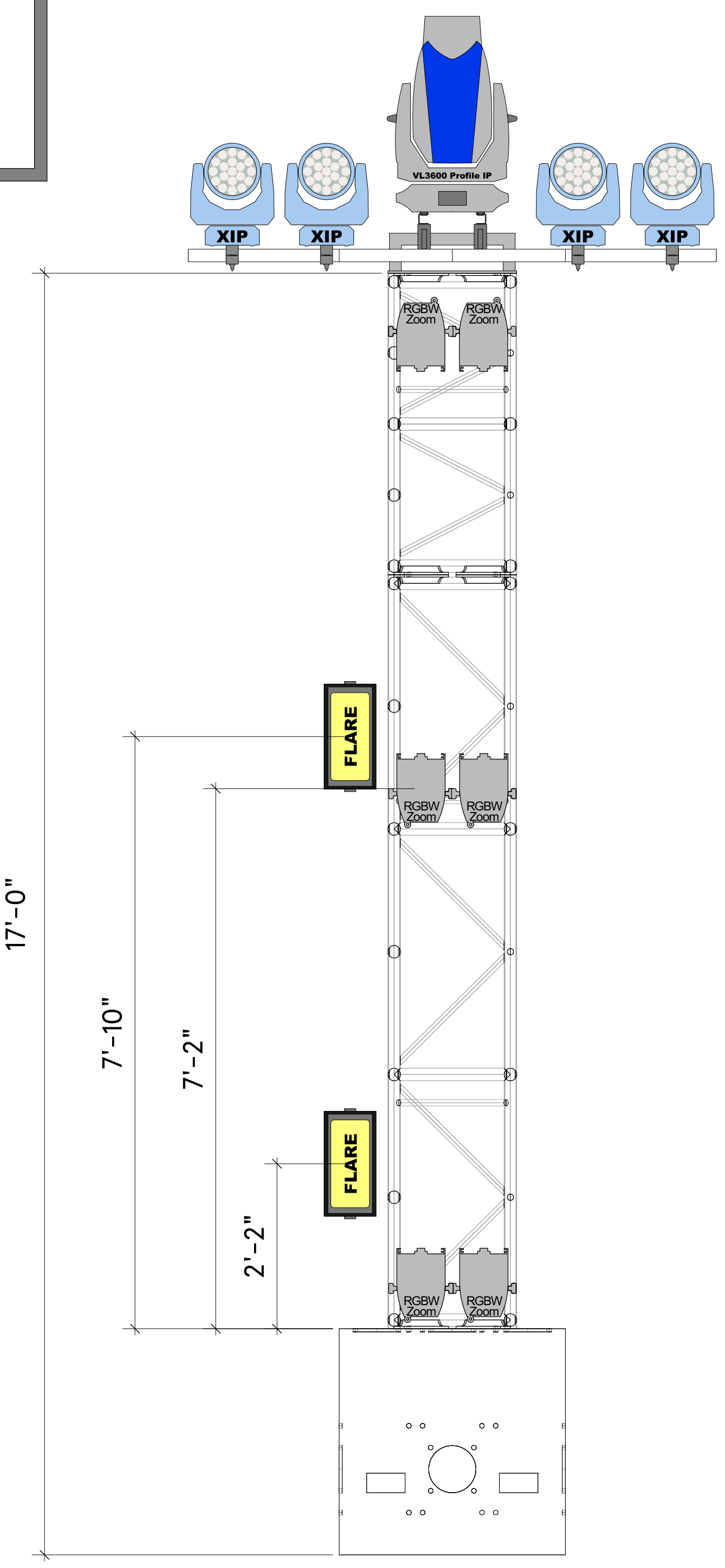
Tower 1
555 lbs



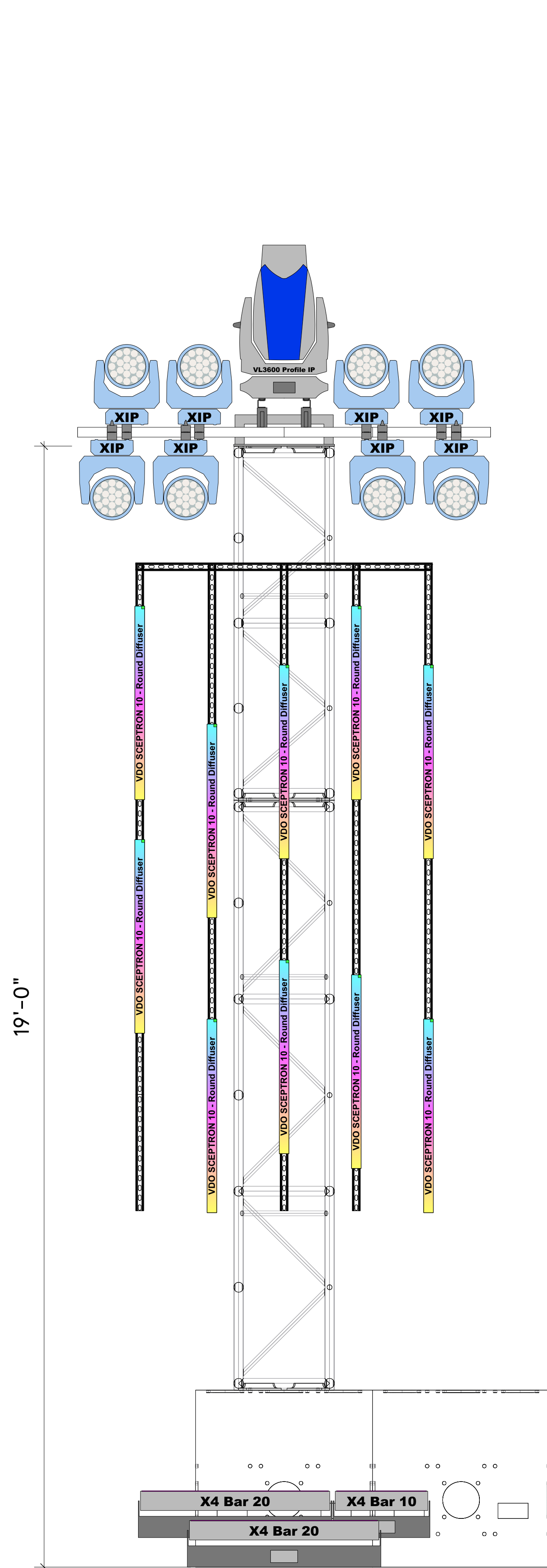
Tower 2
555 lbs



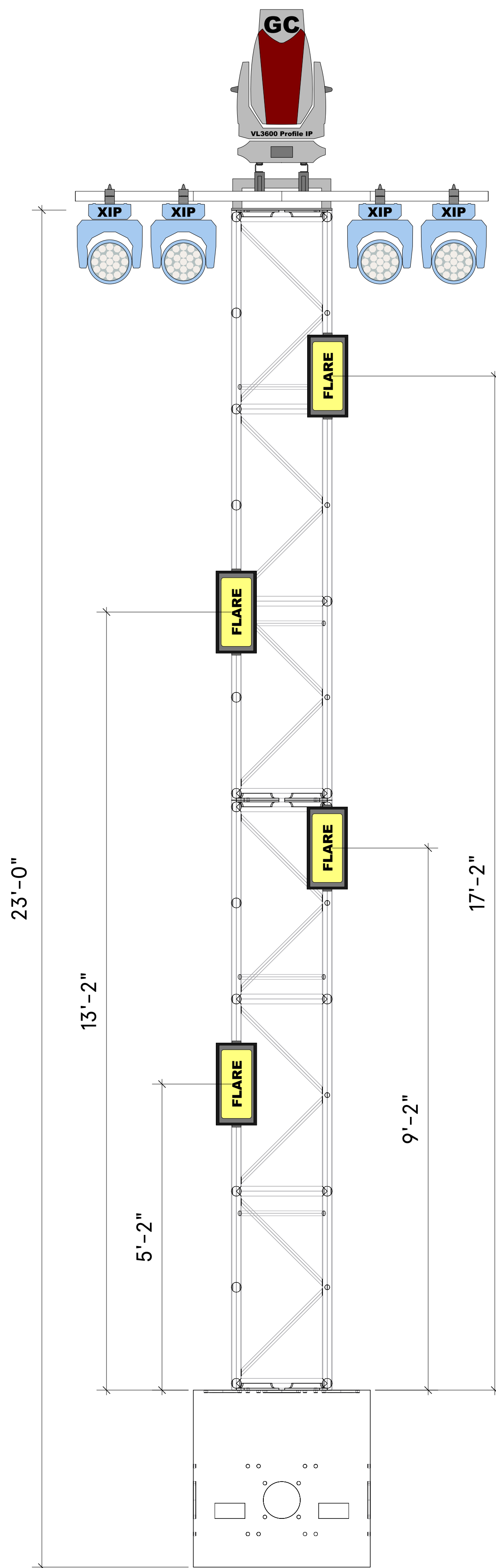
Tower 3
350 lbs



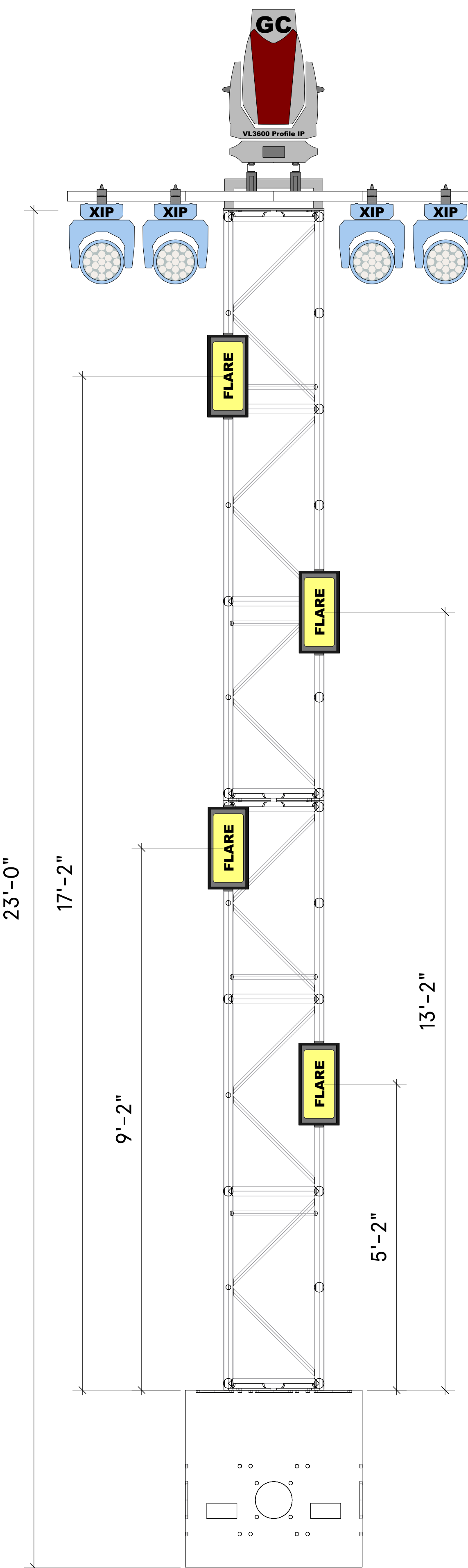
Tower 4
485 lbs



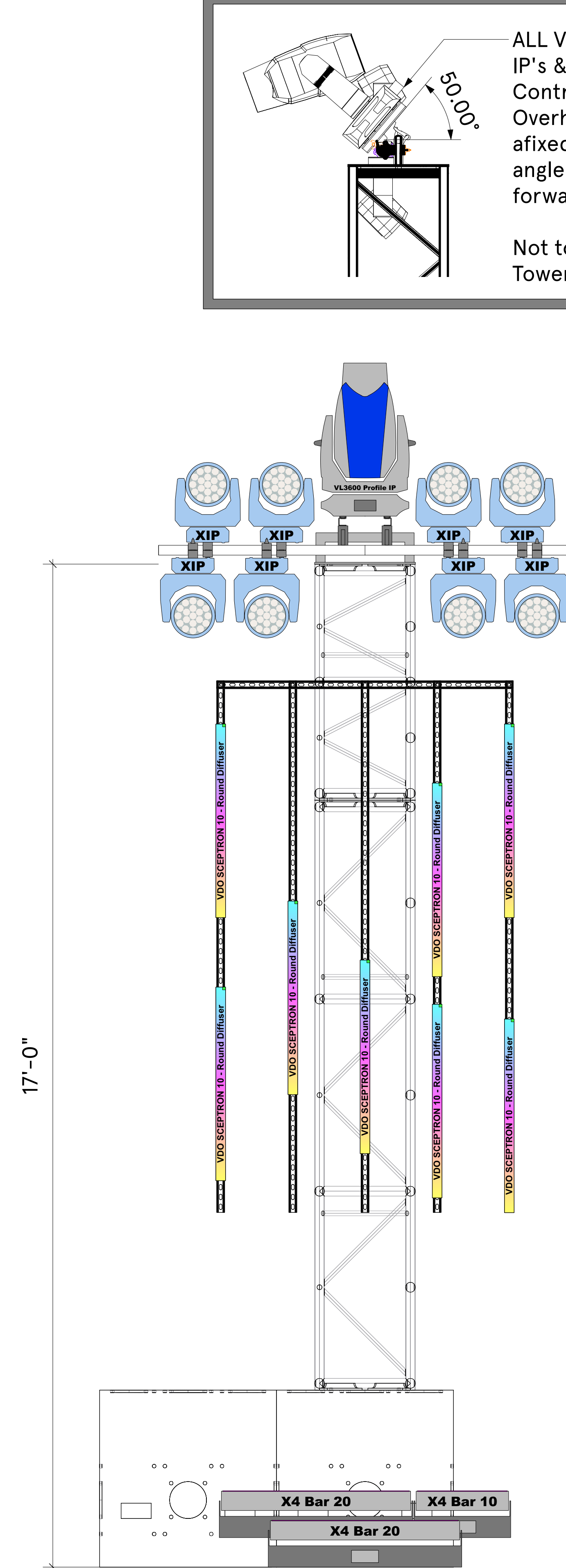
Tower 5
550 lbs



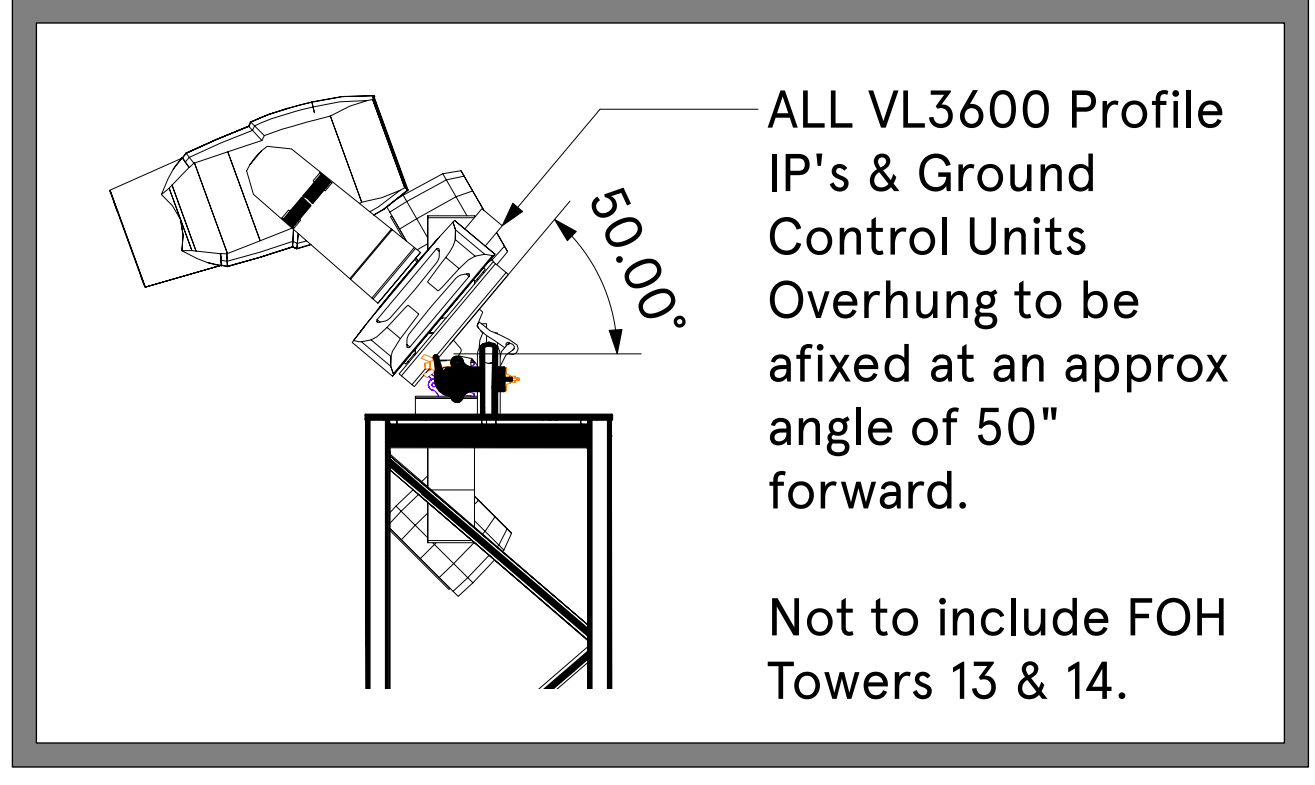
Tower 6
455 lbs



Tower 7
455 lbs



Tower 8
550 lbs



THIS DRAWING REPRESENTS VISUAL CONCEPTS, LIGHTING FIXTURE PLACEMENT & ERECTING SUGGESTIONS ONLY!!
The Designer is not qualified to determine the structural appropriateness of the design and accepts no responsibility or liability for the engineering, fabrication, construction, rigging and weight loading involved in erecting these designs.
This document and the ideas incorporated herein, as an instrument of professional service, are the property of Lee Rose, and are not to be used, in whole or part, for any other project without the prior written authorization of Lee Rose.
This document may not be reproduced or modified in any way without prior written consent of Lee Rose.
© Lee Rose Designs - 2021 (all rights reserved)

REVISIONS		
Rev #	Date	Notes
A	9/4/22	First Plot for review
B	9/30/2022	Main street Cars Land shoot cancelled. Looking at Flo's ONLY. Added fixtures for multiple performance coverage
C	10/9/2022	RoboSpot only on ledge at Flo's. Suggested cart for other fixtures. Design TBD. Fixtures left as TBD on plot. Added RoboSpot lift detail. Rigging TBD
D	11/2/22	Sheets cleaned up for printing. Carlisland VL3600 Profiles swapped 1:1 for Elation Proteus Maximus
E	11/6/22	Modified Overhung Fixtures to have 50° tilt forward.

SCALE: 1/4" = 1'0"

Plot Status: LOAD-IN

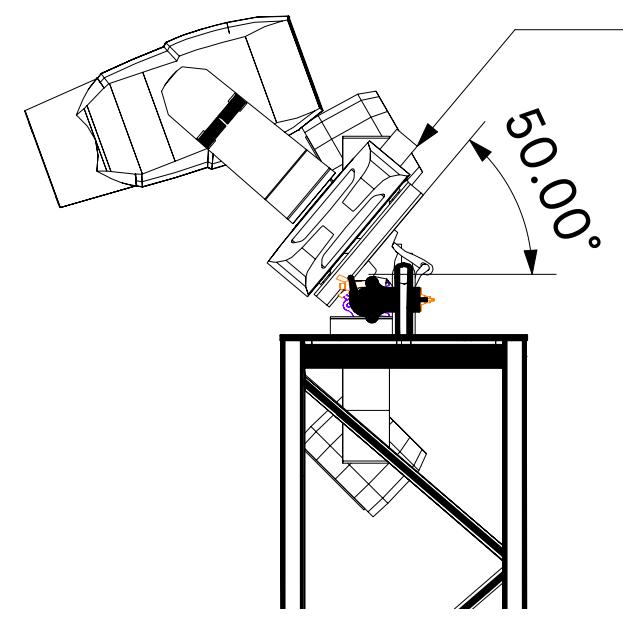
Production Design:	Patrick Adair
Gaffer:	Tony Ward
Drawn By:	L. Rose/C. Pieratt
CAD File Name:	NYRE_Disney_V8_11_6_22_CP_v2022.vwx
Date:	11/6/22

NEW YEAR'S ROCKIN' EVE 2023
with
RYAN SEACREST @ Disneyland

Castle Tower
Detail 5-8

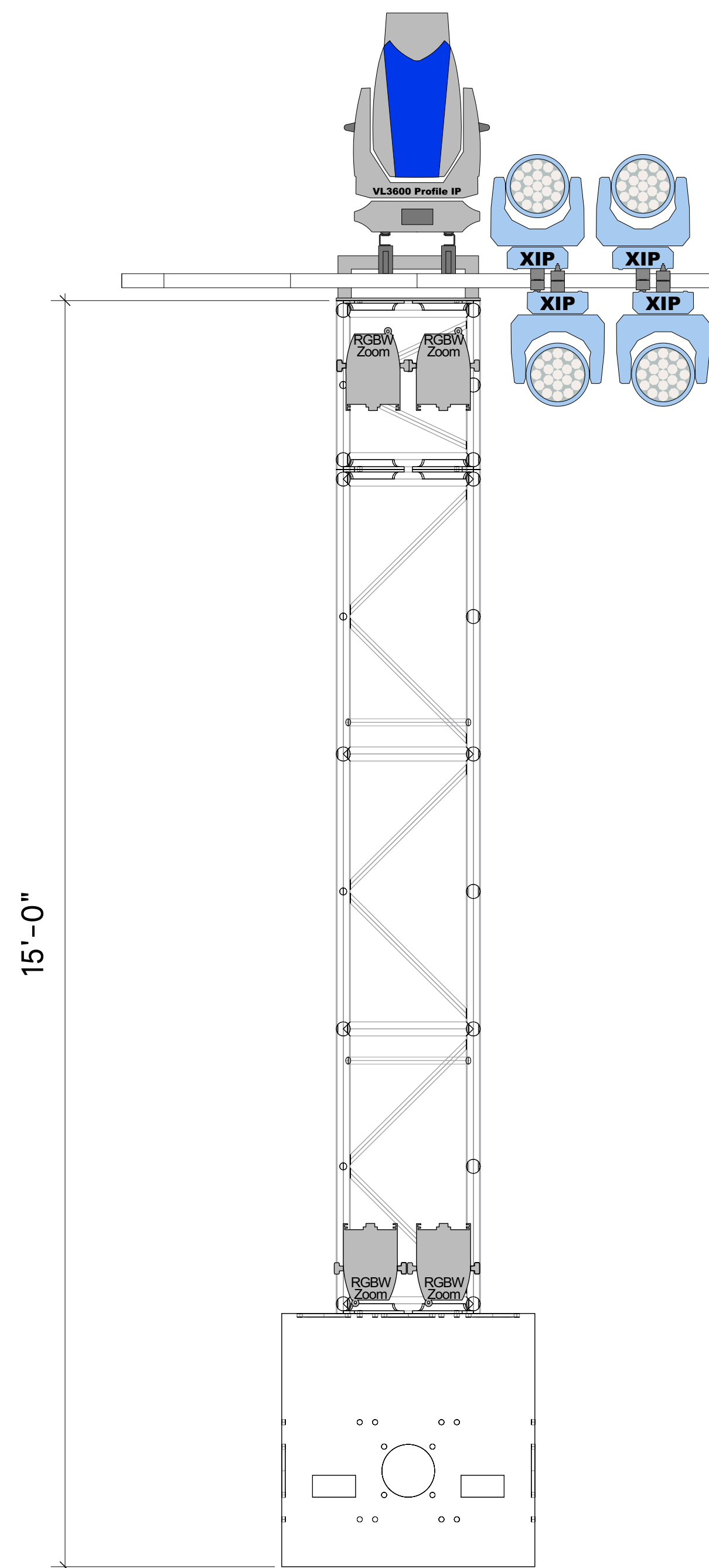
LX 7 of 20
Sheet



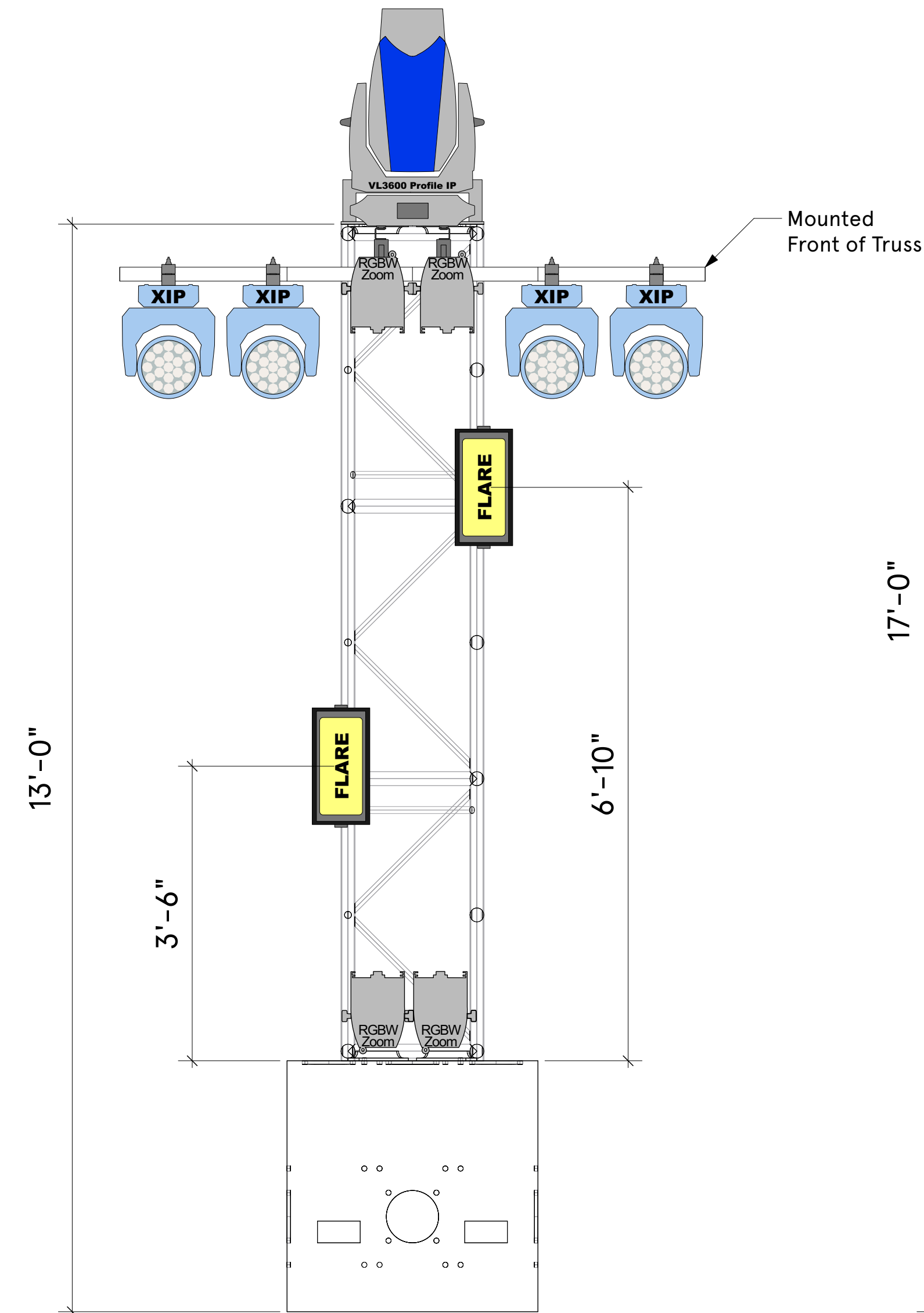


ALL VL3600 Profile IP's & Ground Control Units Overhung to be affixed at an approx angle of 50" forward.

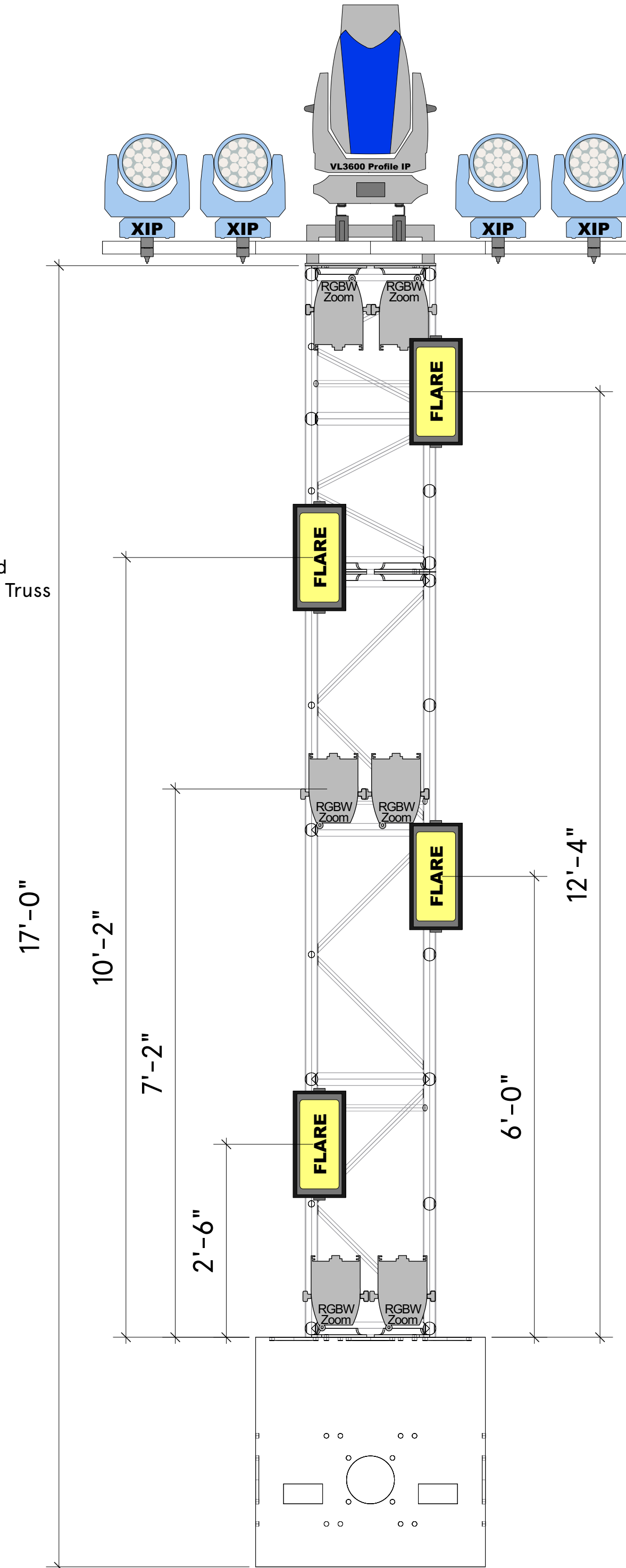
Not to include FOH Towers 13 & 14.



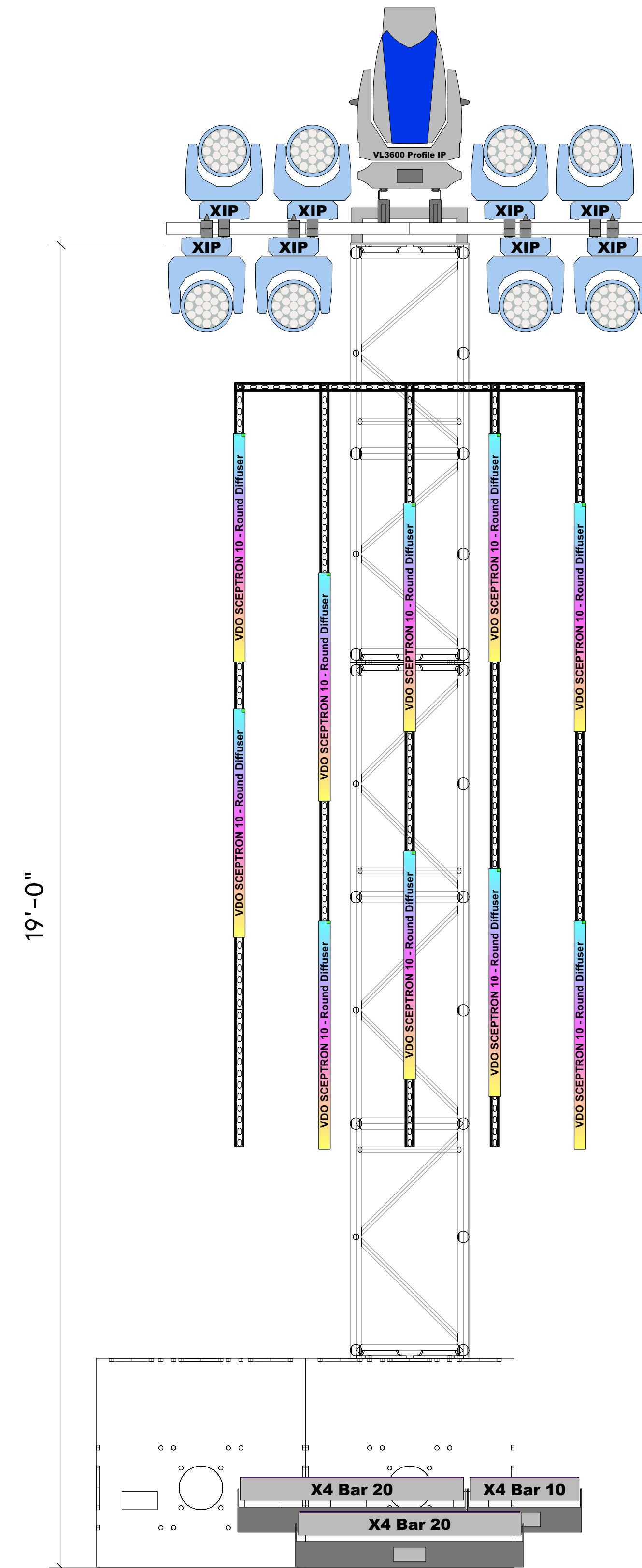
Tower 9
485 lbs



Tower 10
450 lbs



Tower 11
450 lbs



Tower 12
555 lbs

THIS DRAWING REPRESENTS VISUAL CONCEPTS, LIGHTING FIXTURE PLACEMENT & ERECTING SUGGESTIONS ONLY!!!
The Designer is not qualified to determine the structural appropriateness of this design and accepts no responsibility or liability for the engineering, fabrication, construction, rigging and weight loading involved in erecting these designs.
This document and the ideas incorporated herein, as an instrument of professional service, are the property of Lee Rose, and are not to be used, in whole or part, for any other project without the prior written authorization of Lee Rose.
This document may not be reproduced or modified in any way without prior written consent of Lee Rose.
© Lee Rose Designs - 2021 (all rights reserved)

REVISIONS

Rev #	Date	Notes
A	9/4/22	First Plot for review
B	9/30/2022	Main street Cars Land shoot cancelled. Looking at Flo's ONLY. Added fixtures for multiple performance coverage
C	10/9/2022	RoboSpot only on ledge at Flo's. Suggested cart for other fixtures. Design TBD. Fixtures left as TBD on plot. Added RoboSpot lift detail. Rigging TBD
D	11/2/22	Sheets cleaned up for printing. Carlsland VL3600 Profiles swapped 1:1 for Elation Proteus Maximus
E	11/6/22	Modified Overhung Fixtures to have 50" tilt forward.

SCALE: 1/4" = 1'0"

Plot Status: **LOAD-IN**

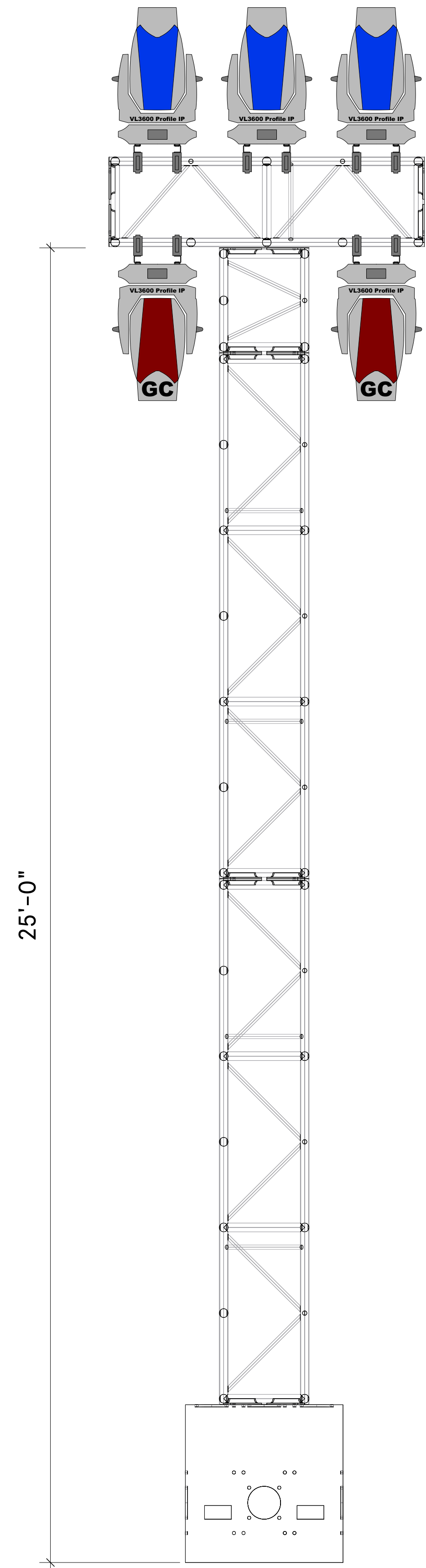
Production Design:	Patrick Adair
Gaffer:	Tony Ward
Drawn By:	L. Rose/C. Pieratt
CAD File Name:	NYRE_Disney_V8_11_6_22_CP_v2022.vwx
Date:	11/6/22

NEW YEAR'S ROCKIN' EVE 2023
with
RYAN SEACREST @ Disneyland

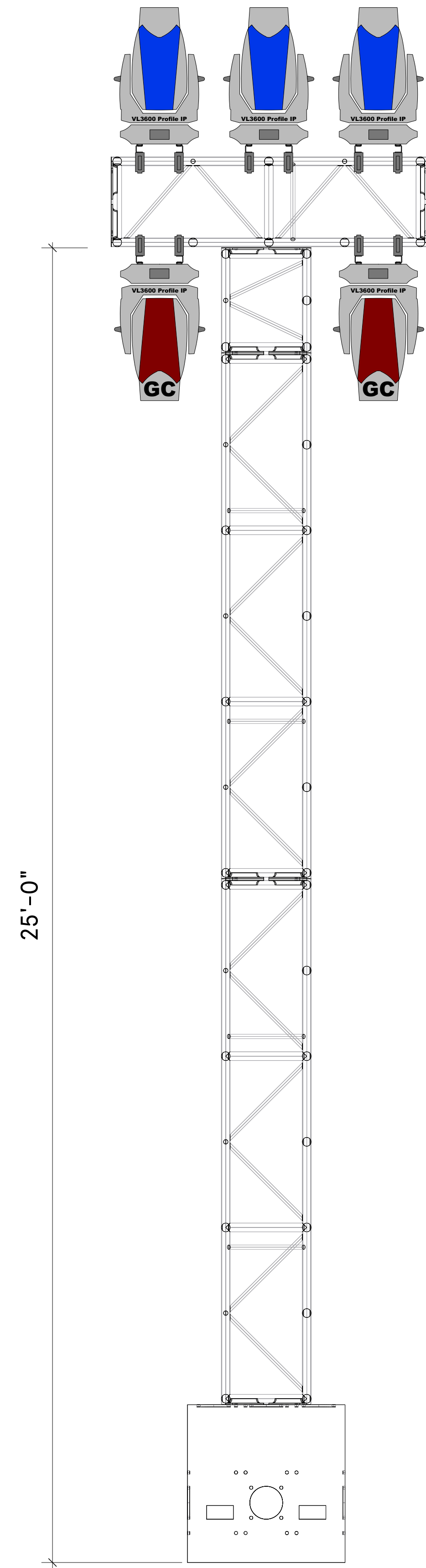
Castle Tower
Detail 9-12

LX 8 of 20
Sheet

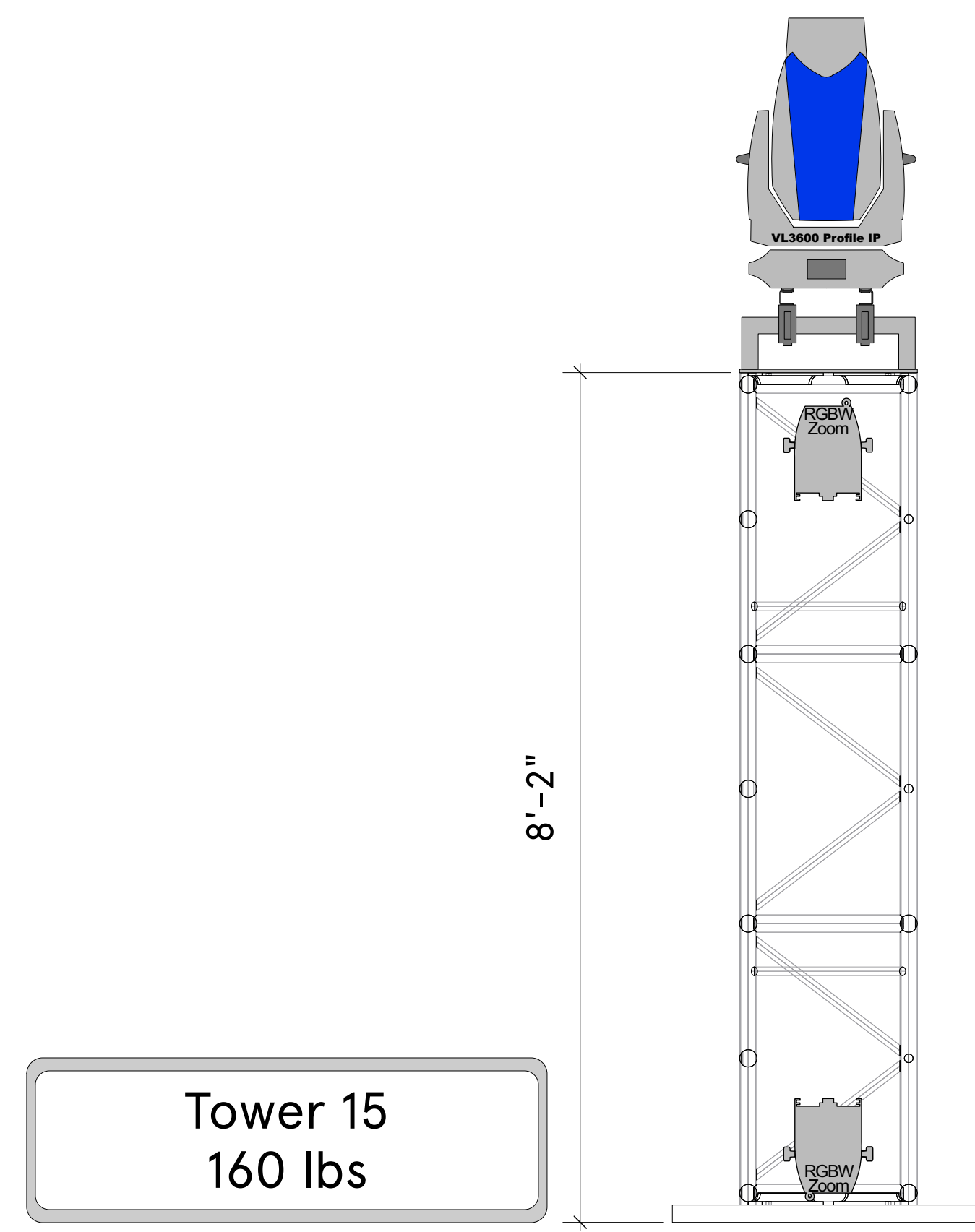




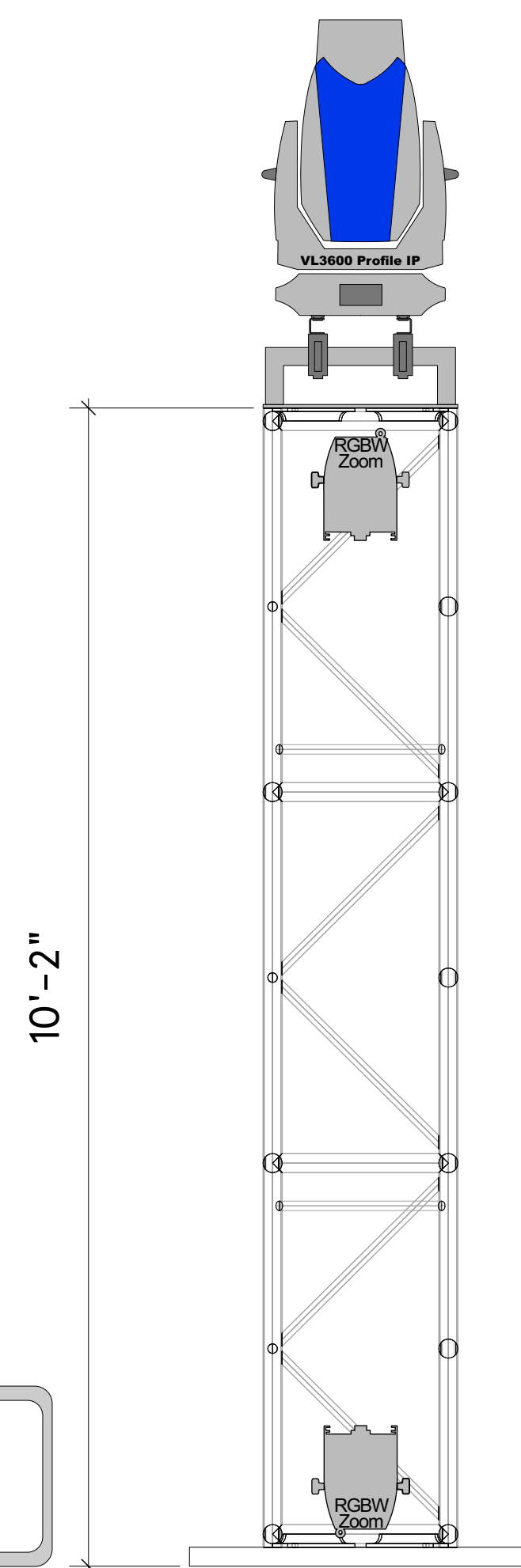
Tower 13
585 lbs



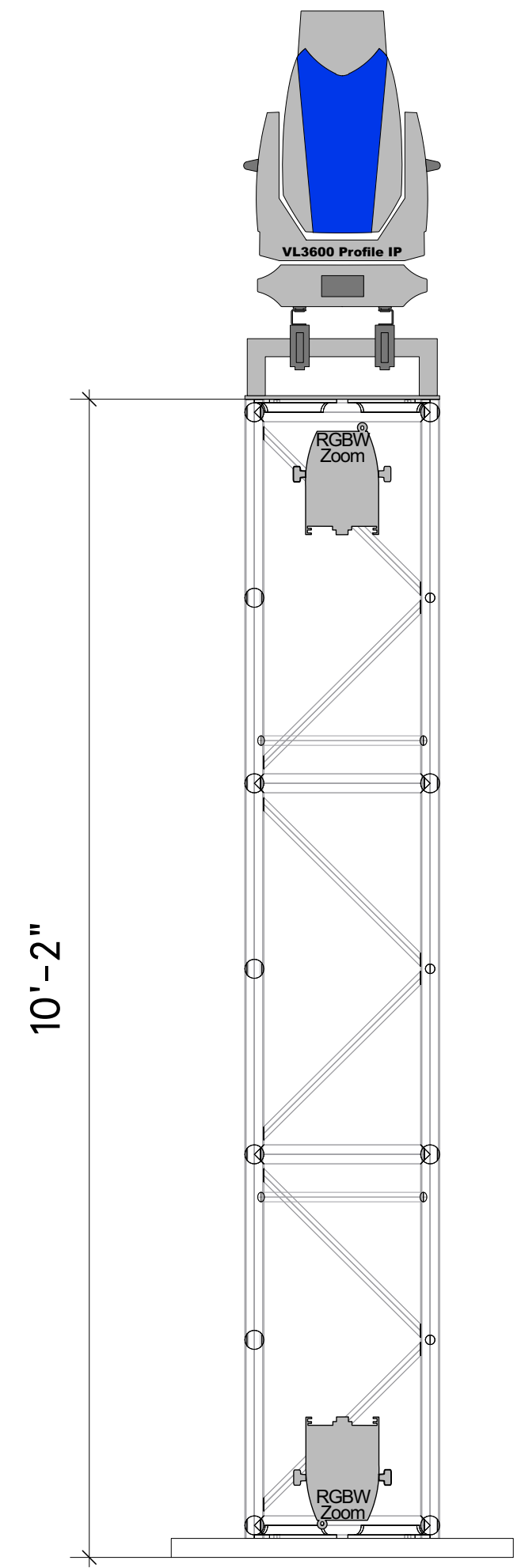
Tower 14
585 lbs



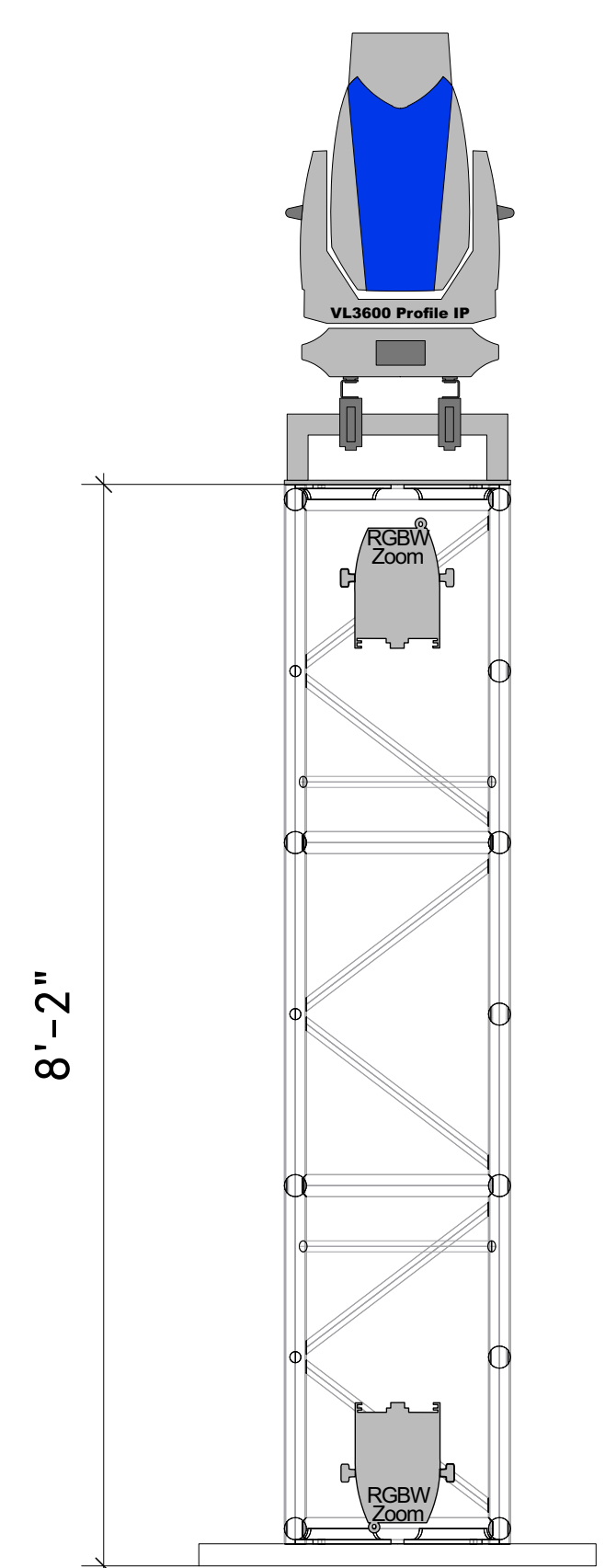
Tower 15
160 lbs



Tower 17
160 lbs



Tower 16
160 lbs



Tower 18
160 lbs

ALL VL3600 Profile IP's & Ground Control Units Overhung to be affixed at an approx angle of 50" forward.

Not to include FOH Towers 13 & 14.

THIS DRAWING REPRESENTS VISUAL CONCEPTS, LIGHTING FIXTURE PLACEMENT & ERECTING SUGGESTIONS ONLY!!
The Designer is not qualified to determine the structural appropriateness of this design and accepts no responsibility or liability for the engineering, fabrication, construction, rigging and weight loading involved in erecting these designs.
This document and the ideas incorporated herein, as an instrument of professional service, are the property of Lee Rose, and are not to be used, in whole or part, for any other project without the prior written authorization of Lee Rose.
This document may not be reproduced or modified in any way without prior written consent of Lee Rose.
© Lee Rose Designs - 2021 (all rights reserved)

REVISIONS		
Rev #	Date	Notes
A	9/4/22	First Plot for review
B	9/30/2022	Main street Cars Land shoot cancelled. Looking at Flo's ONLY. Added fixtures for multiple performance coverage
C	10/9/2022	RoboSpot only on ledge at Flo's. Suggested cart for other fixtures. Design TBD. Fixtures left as TBD on plot. Added RoboSpot lift detail. Rigging TBD
D	11/2/22	Sheets cleaned up for printing. Castland VL3600 Profiles swapped 1:1 for Elation Proteus Maximus
E	11/6/22	Modified Overhung Fixtures to have 50" tilt forward.

SCALE: 1/4" = 1'0"

Plot Status: **LOAD-IN**

Production Design:	Patrick Adair
Gaffer:	Tony Ward
Drawn By:	L. Rose/C. Pieratt
CAD File Name:	NYRE_Disney_V8_11_6_22_CP_v2022.vwx
Date:	11/6/22

NEW YEAR'S ROCKIN' EVE 2023
with
RYAN SEACREST @ Disneyland

Castle Tower
Detail 13-18

LX 9 of 20
Sheet



THIS DRAWING REPRESENTS VISUAL CONCEPTS, LIGHTING FIXTURE PLACEMENT & ERECTING SUGGESTIONS ONLY!!
 The Designer is not qualified to determine the structural appropriateness of this design and accepts no responsibility or liability for the engineering, fabrication, construction, rigging and weight loading involved in erecting these designs.
 This document and the ideas incorporated herein, as an instrument of professional service, are the property of Lee Rose, and are not to be used, in whole or part, for any other project without the prior written authorization of Lee Rose.
 This document may not be reproduced or modified in any way without prior written consent of Lee Rose.
 © Lee Rose Designs - 2021 (all rights reserved)

REVISIONS

Rev #	Date	Notes
A	9/4/22	First Plot for review
B	9/30/2022	Main street Cars Land shoot cancelled. Looking at Flo's ONLY. Added fixtures for multiple performance coverage
C	10/9/2022	RoboSpot only on ledge at Flo's. Suggested cart for other fixtures. Design TBD. Fixtures left as TBD on plot. Added RoboSpot lift detail. Rigging TBD
D	11/2/22	Sheets cleaned up for printing. Carlsland V1.3600 Profiles swapped 1:1 for Elation Proteus Maximus
E	11/6/22	Modified Overhung Fixtures to have 50° tilt forward.

SCALE: 1/4" = 1'0"

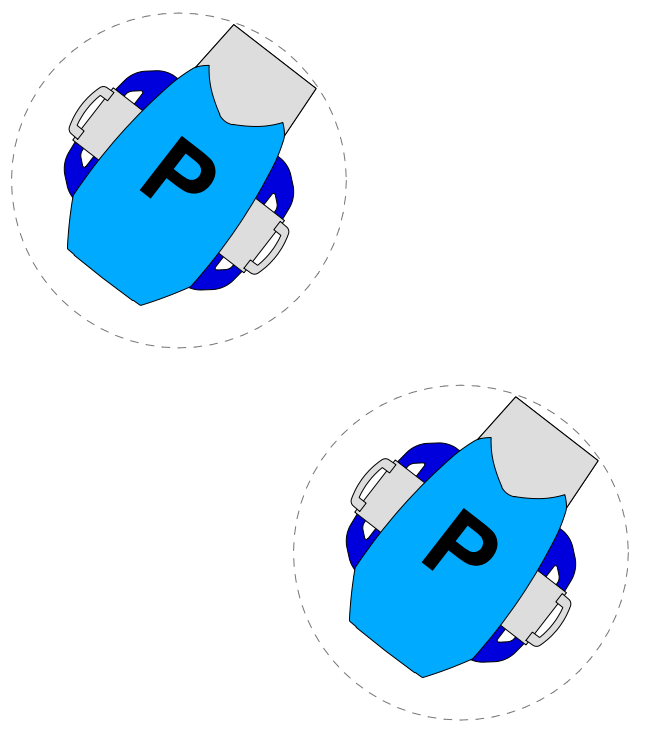
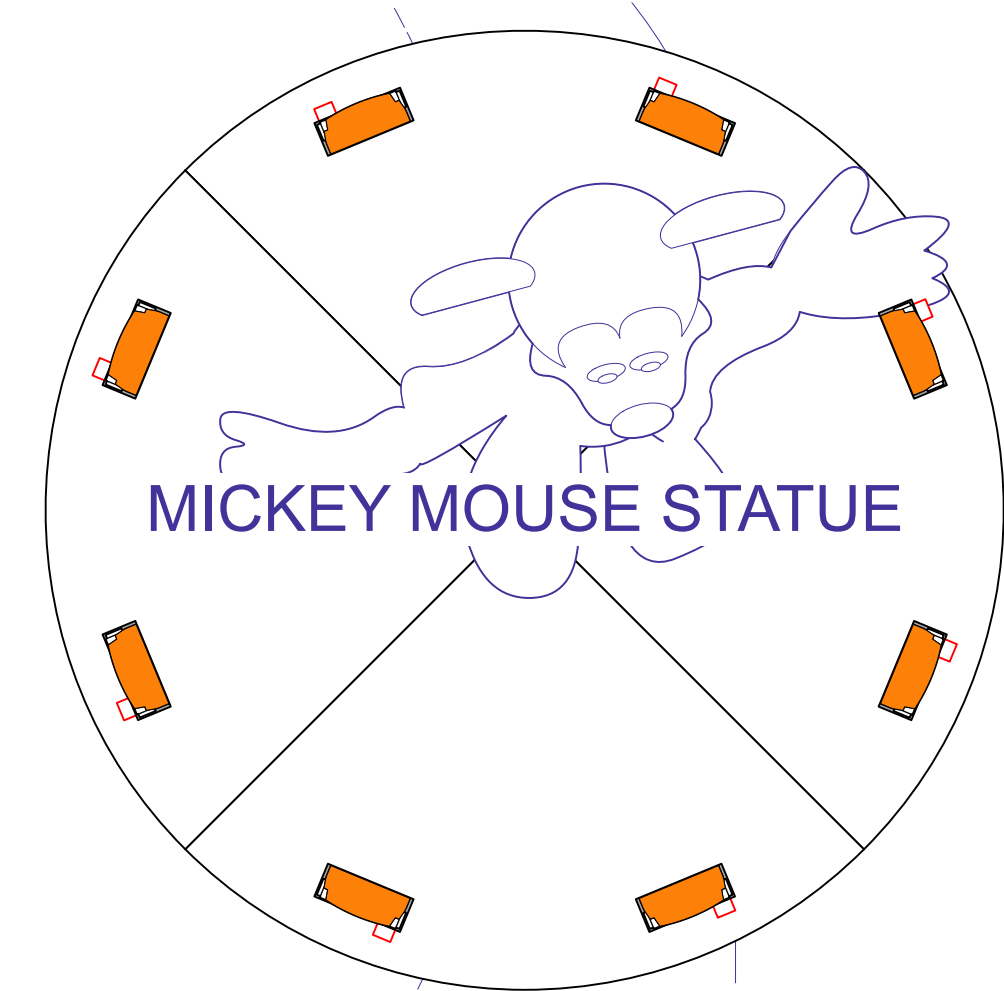
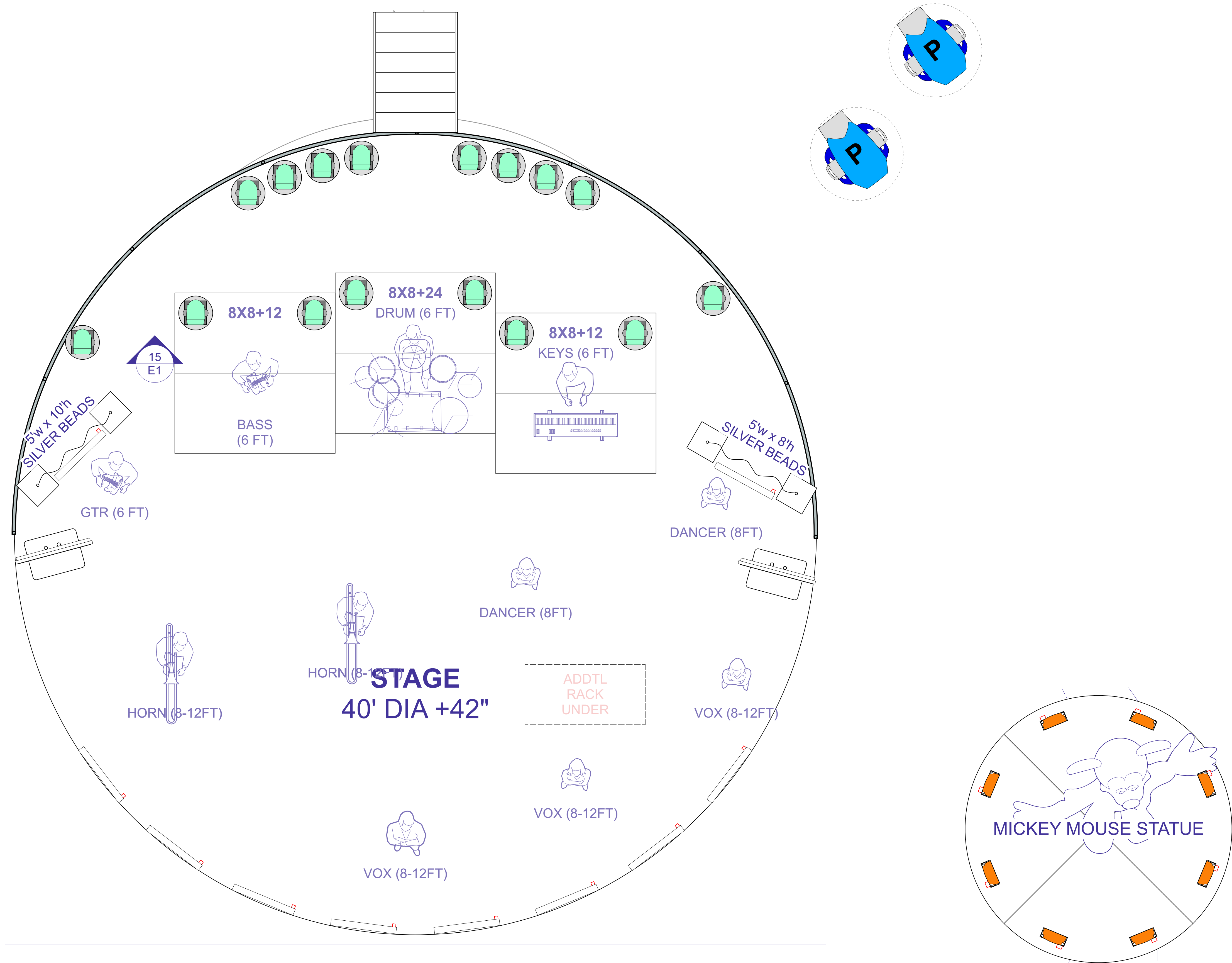
Plot Status: **LOAD-IN**

Production Design:	Patrick Adair
Gaffer:	Tony Ward
Drawn By:	L. Rose/C. Pieratt
CAD File Name:	NYRE_Disney_V8_11_6_22_CP_v2022.vwx
Date:	11/6/22

NEW YEAR'S ROCKIN' EVE 2023
 with
RYAN SEACREST @ Disneyland

Castle Tower Stage Detail

LX 10 of 20
 Sheet



THIS DRAWING REPRESENTS VISUAL CONCEPTS, LIGHTING FIXTURE PLACEMENT & ERECTING SUGGESTIONS ONLY!!!

The Designer is not qualified to determine the structural appropriateness of this design and accepts no responsibility or liability for the engineering, fabrication, construction, rigging and weight loading involved in erecting these designs.

This document and the ideas incorporated herein, as an instrument of professional service, are the property of Lee Rose, and are not to be used, in whole or part, for any other project without the prior written authorization of Lee Rose.

This document may not be reproduced or modified in any way without prior written consent of Lee Rose.

© Lee Rose Designs - 2021 (all rights reserved)

REVISIONS

Rev #	Date	Notes
A	9/4/22	First Plot for review
B	9/30/2022	Main street Cars Land shoot cancelled. Looking at Flo's ONLY. Added fixtures for multiple performance coverage
C	10/9/2022	RoboSpot only on ledge at Flo's. Suggested cart for other fixtures. Design TBD. Fixtures left as TBD on plot. Added RoboSpot lift detail. Rigging TBD
D	11/2/22	Sheets cleaned up for printing. Carlsland VLS3600 Profiles swapped 1:1 for Elation Proteus Maximus
E	11/6/22	Modified Overhung Fixtures to have 50° tilt forward.

SCALE: 1/4" = 1'0"

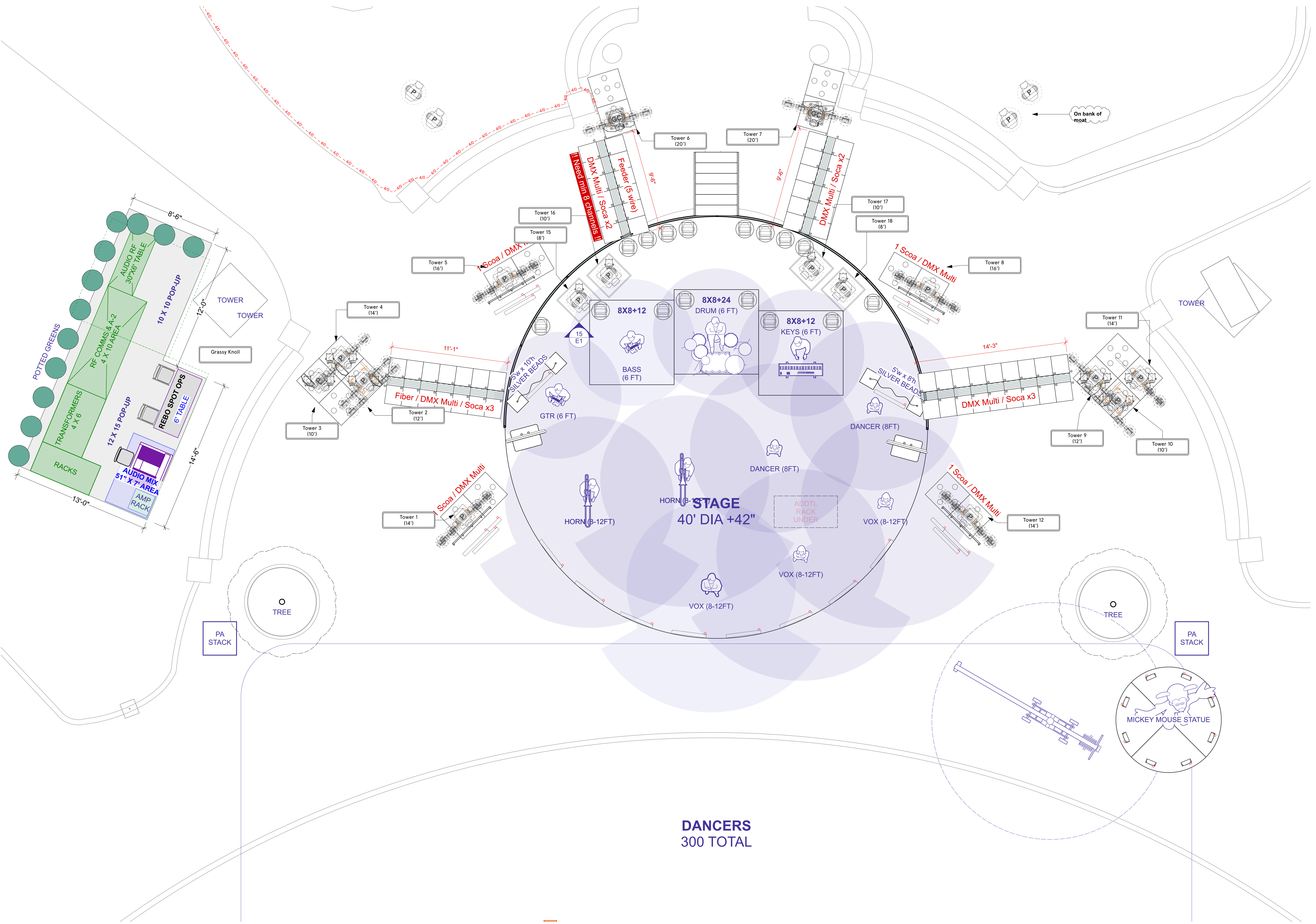
Plot Status: **LOAD-IN**

Production Design:	Patrick Adair
Gaffer:	Tony Ward
Drawn By:	L. Rose/C. Pieratt
CAD File Name:	NYRE_Disney_V8_11_6_22_CP_v2022.vwx
Date:	11/6/22

NEW YEAR'S ROCKIN' EVE 2023
with
RYAN SEACREST @ Disneyland

Castle Stage
Cable
Routes

LX 11 of 20
Sheet



DANCERS
300 TOTAL