

THIS DRAWING REPRESENTS VISUAL CONCEPTS, LIGHTING FIXTURE PLACEMENT & ERECTING SUGGESTIONS ONLY!!

The Designer is not qualified to determine the structural appropriateness of this design and accepts no responsibility or liability for the engineering, fabrication, construction, rigging and weight loading involved in erecting these designs.

This document and the ideas incorporated herein, as an instrument of professional service, are the property of Lee Rose, and are not to be used, in whole or part, for any other project without the prior written authorization of Lee Rose.

This document may not be reproduced or modified in any way without prior written consent of Lee Rose.  
© Lee Rose Designs - 2021 (all rights reserved)

**REVISIONS**

Rev #	Date	Notes
A	9/16/22	First Plot for review
B	9/30/2022	Main street Cars Land shoot cancelled. Looking at Flo's ONLY. Added fixtures for multiple performance coverage
C	10/4/22	Street Stage Removed. Updated Flo's & Added Fixtures
D	10/9/2022	RoboSpot only on ledge at Flo's. Suggested cart for other fixtures. Design TBD. Fixtures left as TBD on plot. Added RoboSpot lift detail. Rigging TBD
E	10/25/22	Fixture Swaps for Pumps and General Clean Up
F	11/2/22	Sheets cleaned up for printing. Carsland VL3600 Profiles swapped 1:1 for Elation Proteus Maximus
G	11/6/22	Modified Overhung Fixtures to have 50" tilt forward.

SCALE: 1/4" = 1'0"

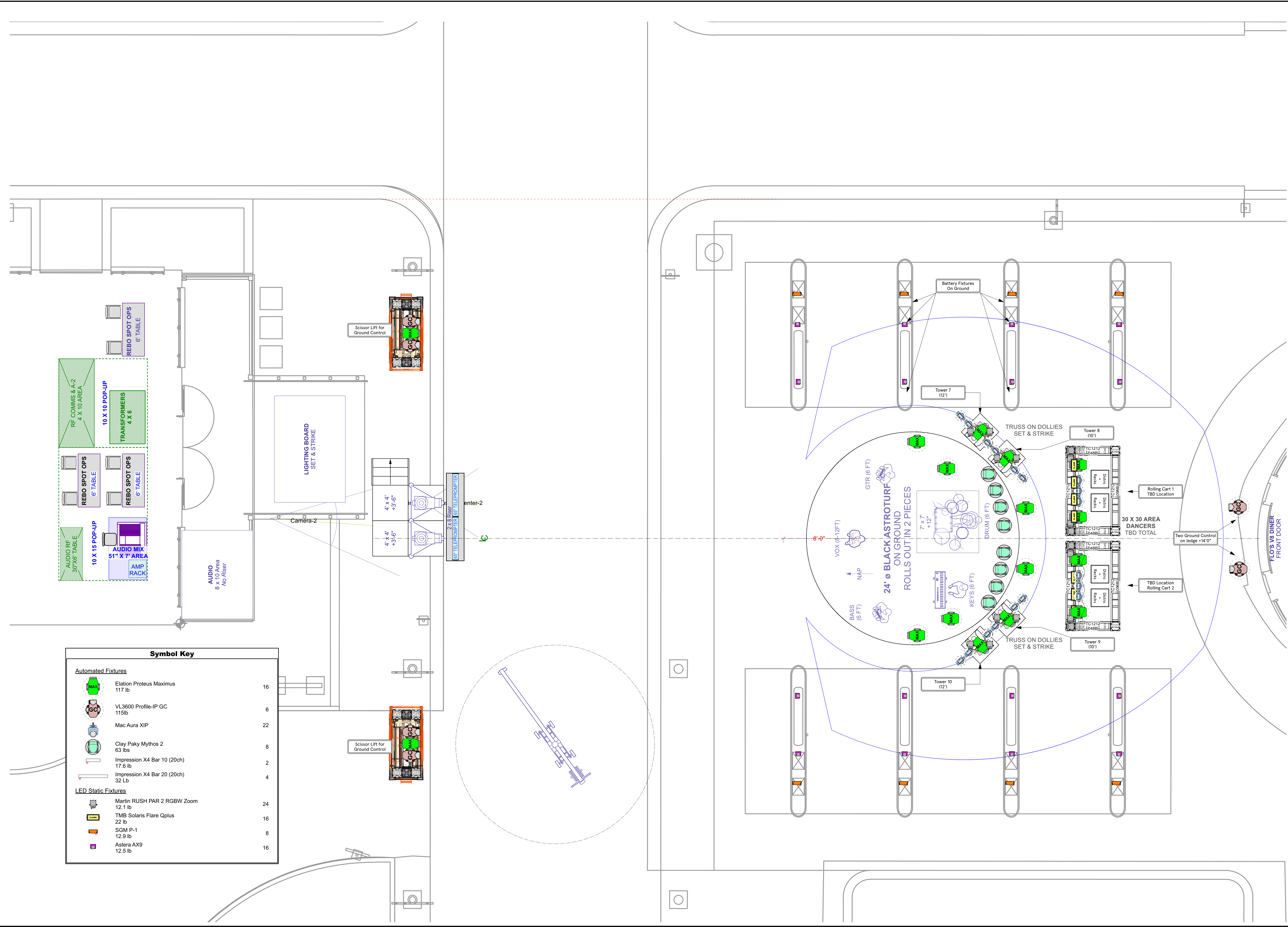
Plot Status: **LOAD-IN**

Production Design:	Patrick Adair
Gaffer:	Tony Ward
Drawn By:	L. Rose/C. Pieratt
CAD File Name:	NYRE_Disney_V8_11_6_22_CP_v2022.vwx
Date:	11/6/22

**NEW YEAR'S ROCKIN' EVE 2023**  
with  
**RYAN SEACREST @ Disneyland**

**Cars Land Stage Overview**

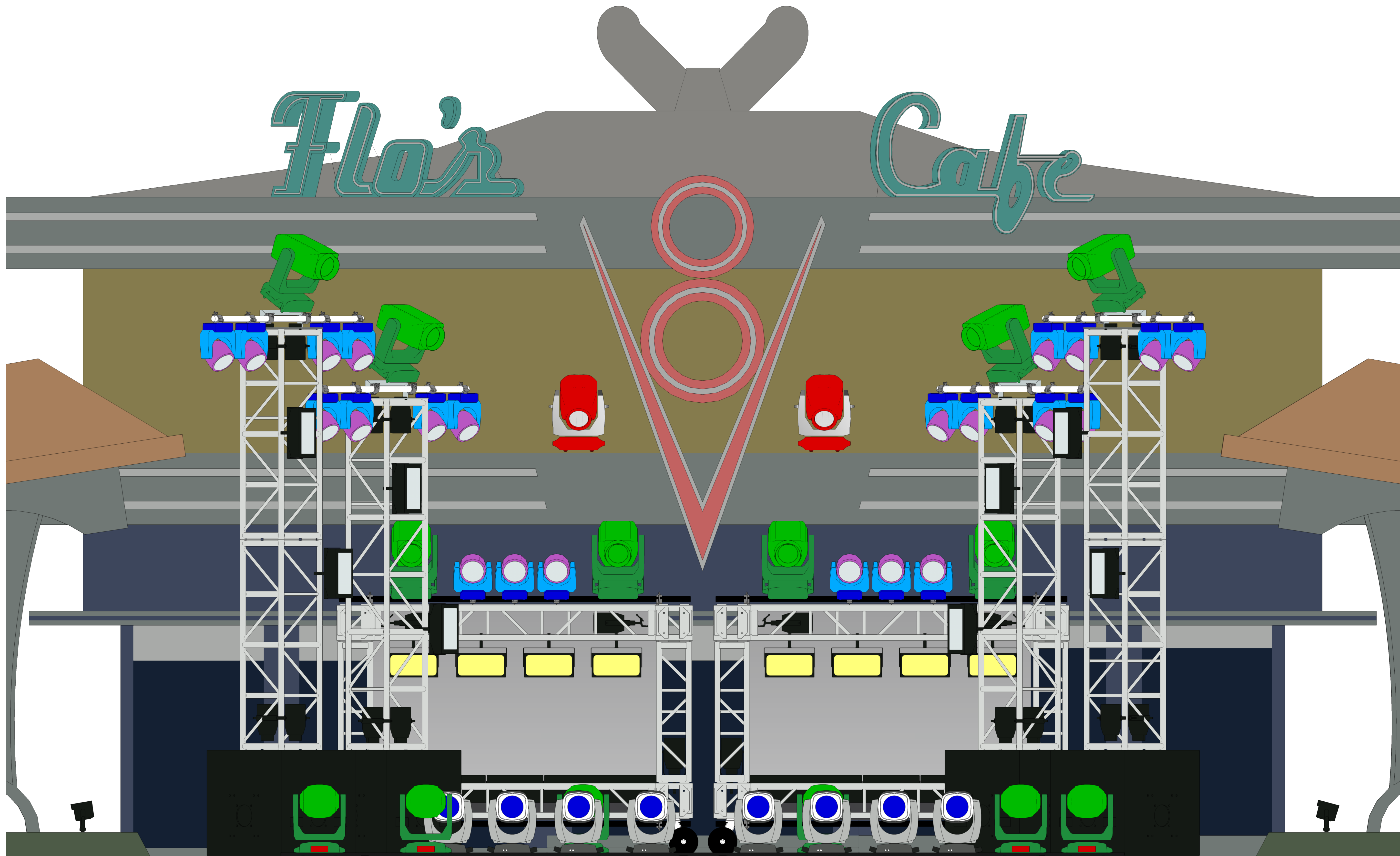
LX 12 of 20  
Sheet



**Symbol Key**

Automated Fixtures	
	Elation Proteus Maximus 117 lb 16
	VL3600 Profile-IP GC 115lb 6
	Mac Aura XIP 22
	Clay Paky Mythos 2 63 lbs 8
	Impression X4 Bar 10 (20ch) 17.6 lb 2
	Impression X4 Bar 20 (20ch) 32 Lb 4
LED Static Fixtures	
	Martin RUSH PAR 2 RGBW Zoom 12.1 lb 24
	TMB Solaris Flare Qplus 22 lb 16
	SGM P-1 12.9 lb 8
	Asteria AX9 12.5 lb 16





2 Flo's V8 Diner Stage  
Scale: 3/8" = 1'0"

THIS DRAWING REPRESENTS VISUAL CONCEPTS, LIGHTING FIXTURE PLACEMENT & ERECTING SUGGESTIONS ONLY!!  
The Designer is not qualified to determine the structural appropriateness of this design and accepts no responsibility or liability for the engineering, fabrication, construction, rigging and weight loading involved in erecting these designs.  
This document and the ideas incorporated herein, as an instrument of professional service, are the property of Lee Rose, and are not to be used, in whole or part, for any other project without the prior written authorization of Lee Rose.  
This document may not be reproduced or modified in any way without prior written consent of Lee Rose.  
© Lee Rose Designs - 2021 (all rights reserved)

REVISIONS		
Rev #	Date	Notes
A	9/16/22	First Plot for review
B	9/30/2022	Main street Cars Land shoot cancelled. Looking at Flo's ONLY. Added fixtures for multiple performance coverage
C	10/4/22	Street Stage Removed. Updated Flo's & Added Fixtures
D	10/9/2022	RoboSpot only on ledge at Flo's. Suggested cart for other fixtures. Design TBD. Fixtures left as TBD on plot. Added RoboSpot lift detail. Rigging TBD
E	10/25/22	Fixture Swaps for Pumps and General Clean Up
F	11/2/22	Sheets cleaned up for printing. Carsland VL3600 Profiles swapped 1:1 for Elation Proteus Masmas
G	11/6/22	Modified Overhung Fixtures to have 50" tilt forward.

SCALE: 1/4" = 1'0"

Plot Status: **LOAD-IN**

Production Design:	Patrick Adair
Gaffer:	Tony Ward
Drawn By:	L. Rose/C. Pieratt
CAD File Name:	NYRE_Disney_V8_11_6_22_CP_v2022.vwx
Date:	11/6/22

**NEW YEAR'S ROCKIN' EVE 2023**  
with  
**RYAN SEACREST @ Disneyland**

Cars Land Stage Elevation

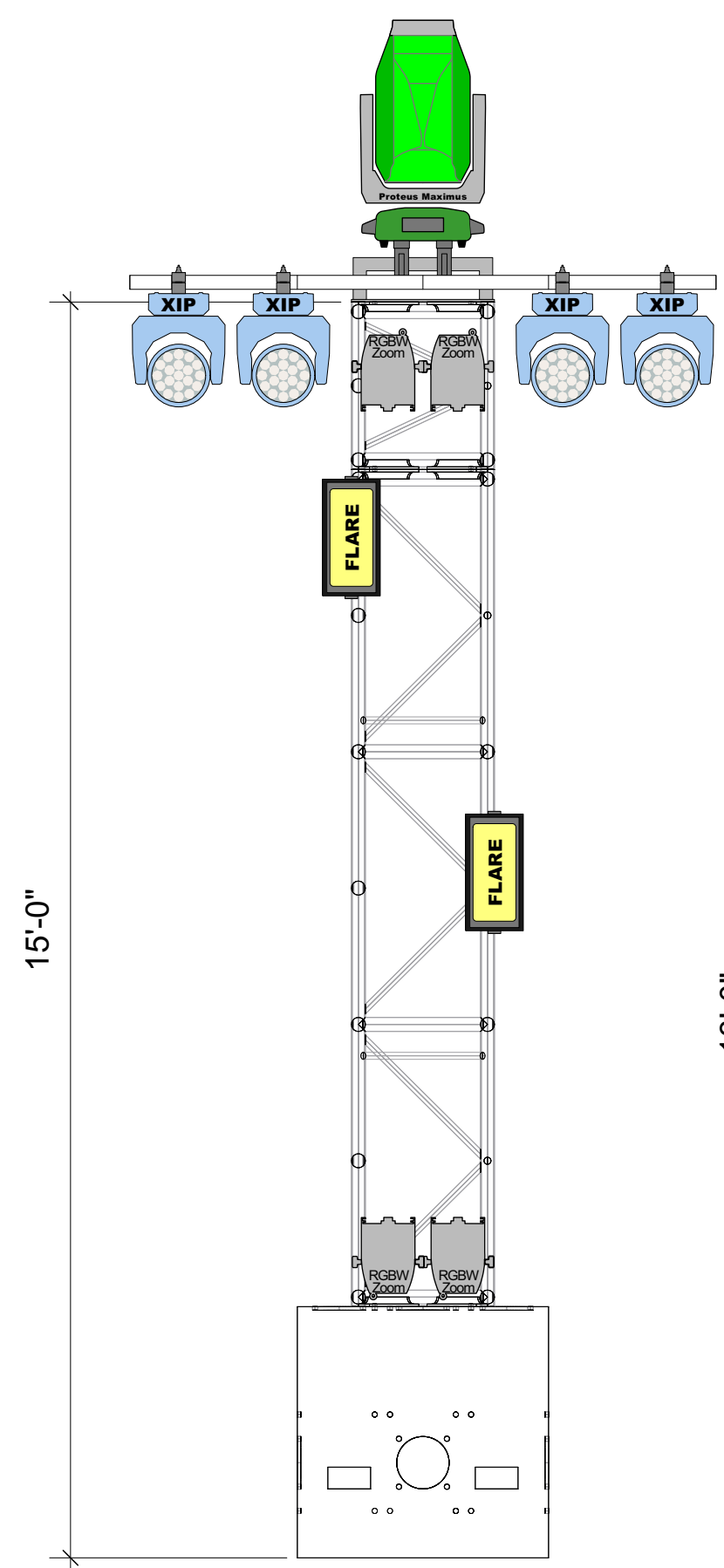
LX 13 of 20  
Sheet



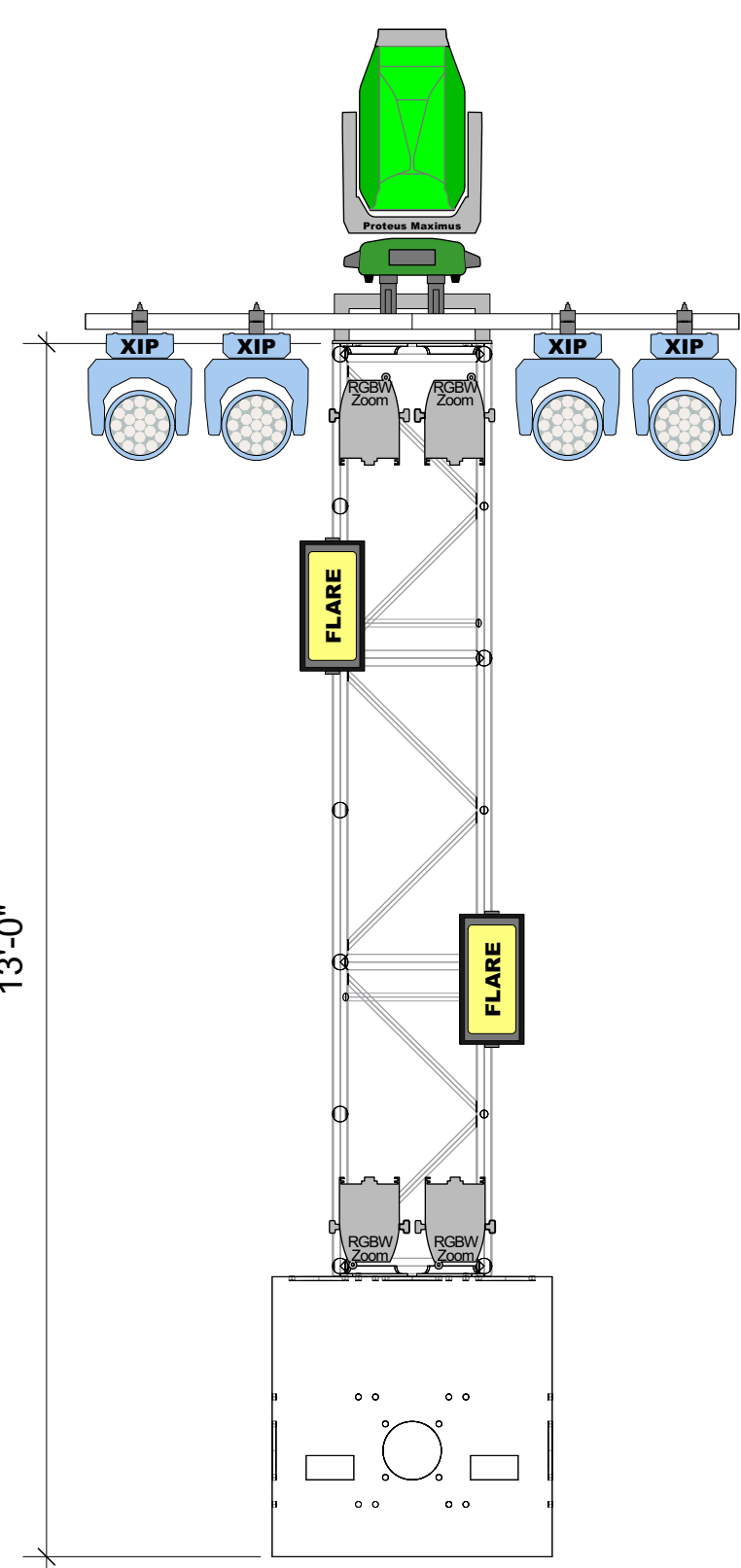


All weights listed for each tower accounts for fixtures, (1) 7' schd 40 1-1/2" pipe, and 50lbs of cable weight.

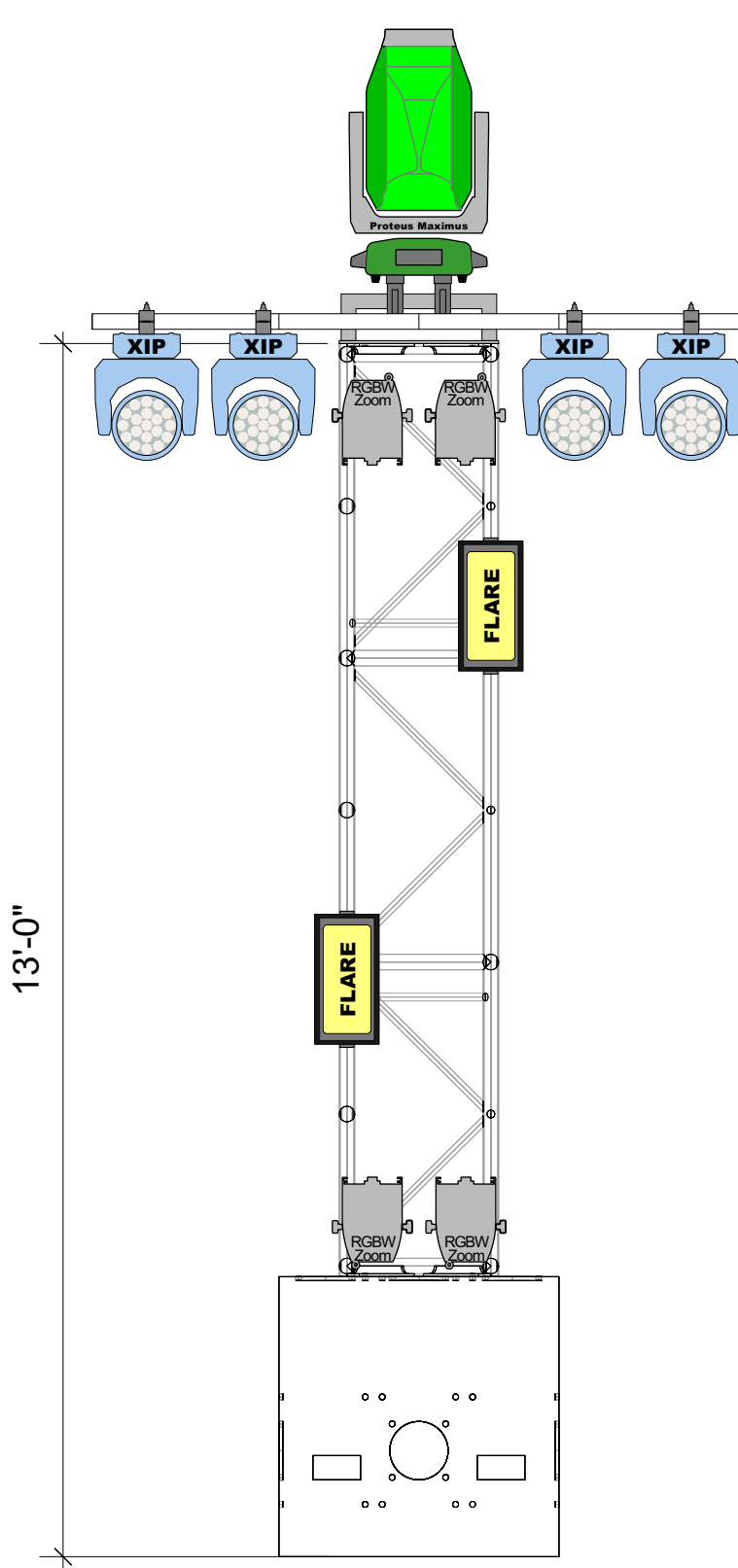
Height of Scissor Lifts estimated @ 19'0" @ Platform  
Final Height TBD onsite.



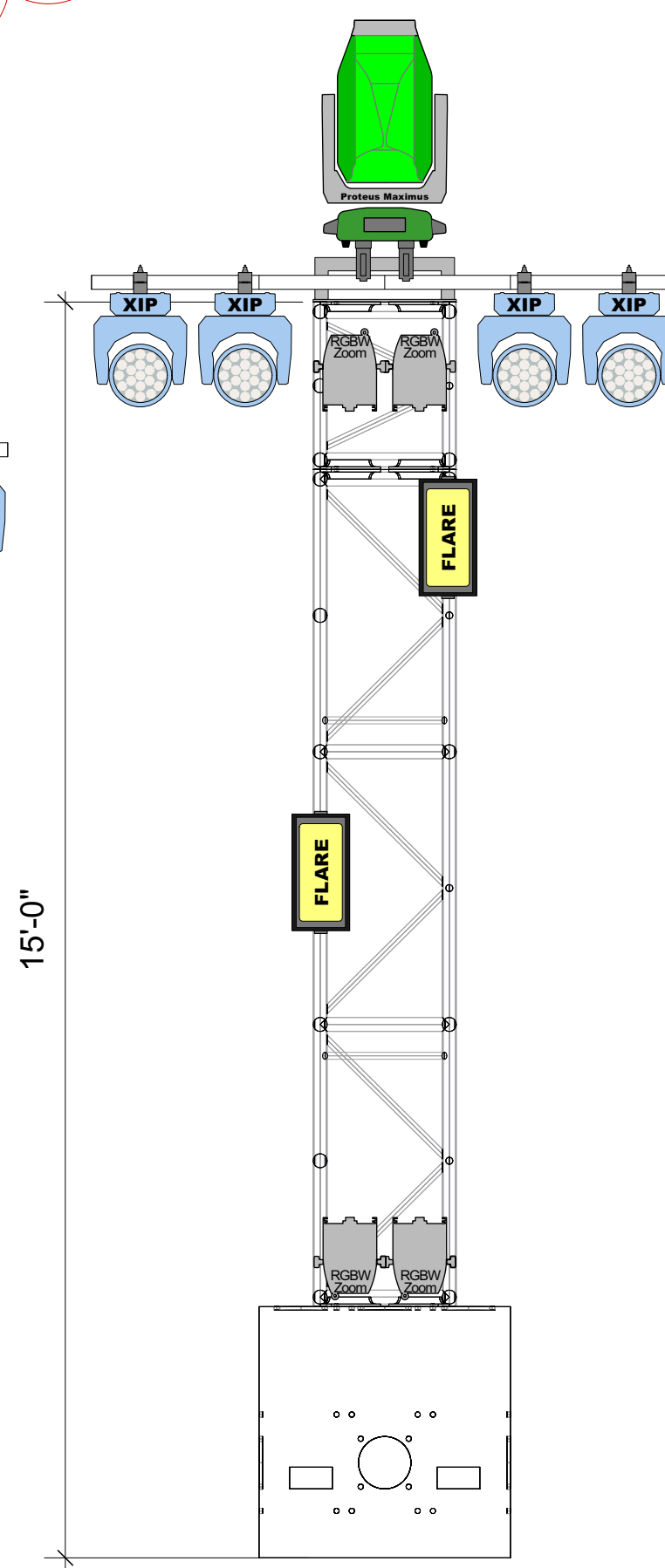
Tower 7  
450 lbs



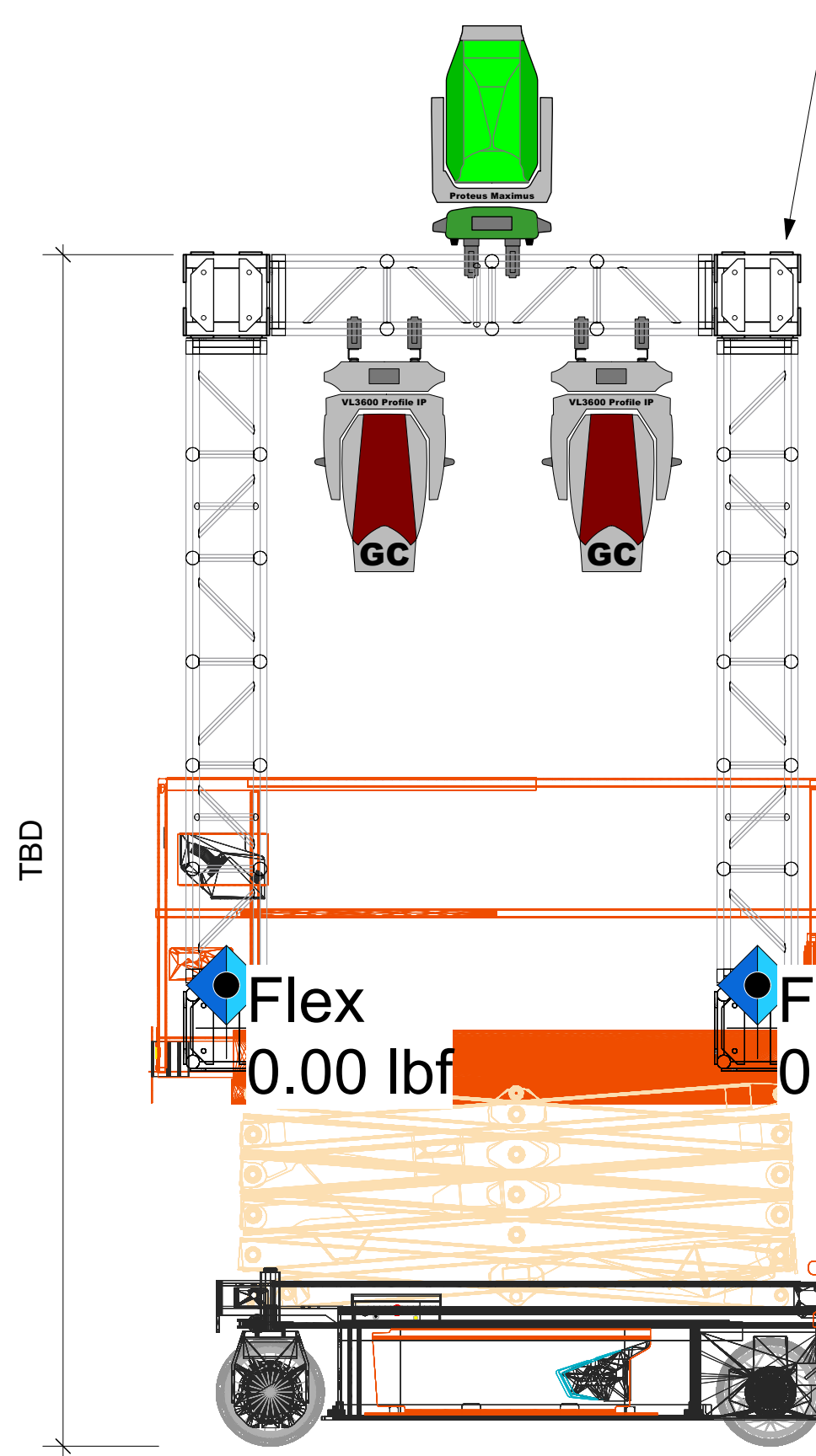
Tower 8  
450 lbs



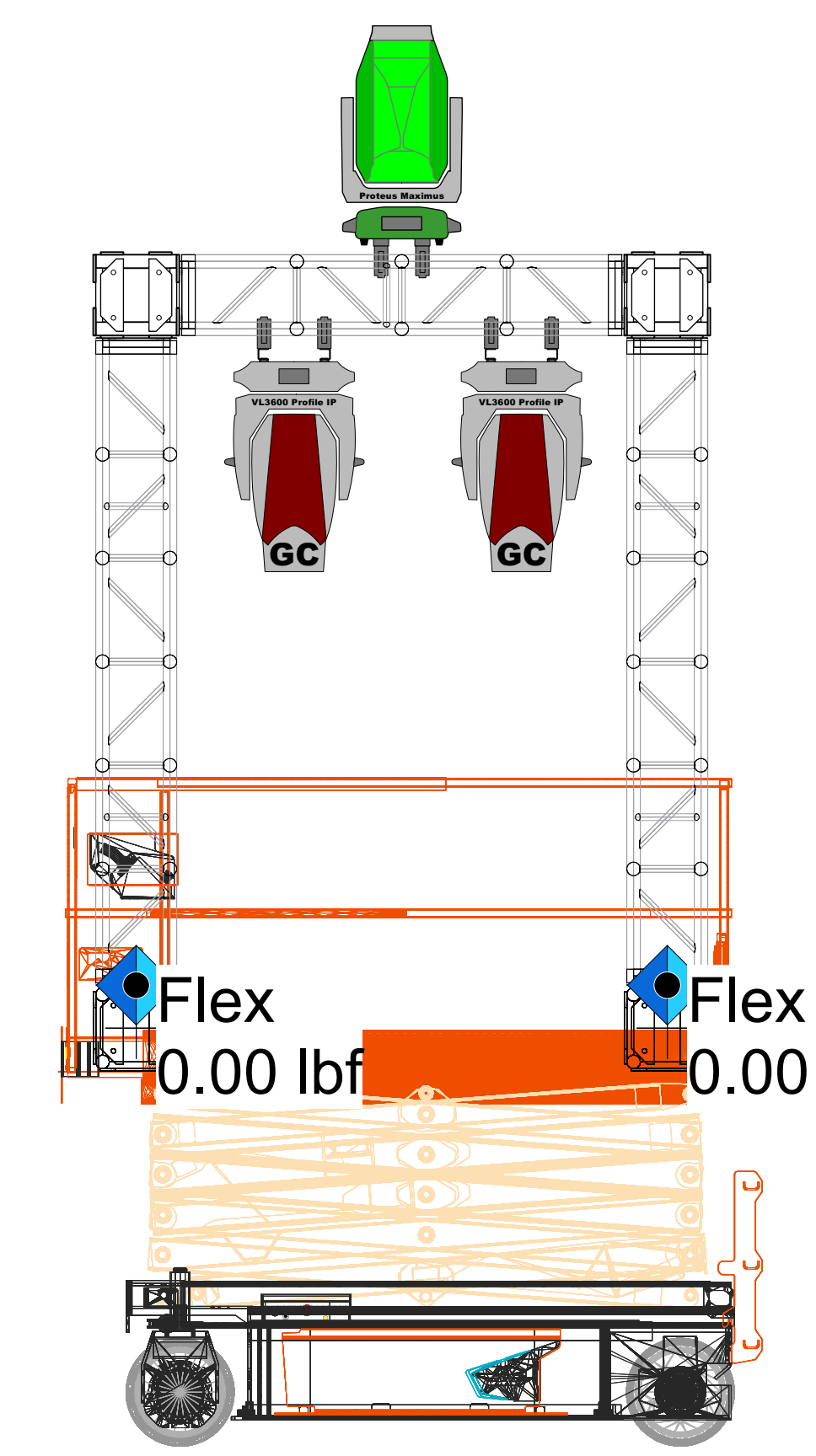
Tower 9  
450 lbs



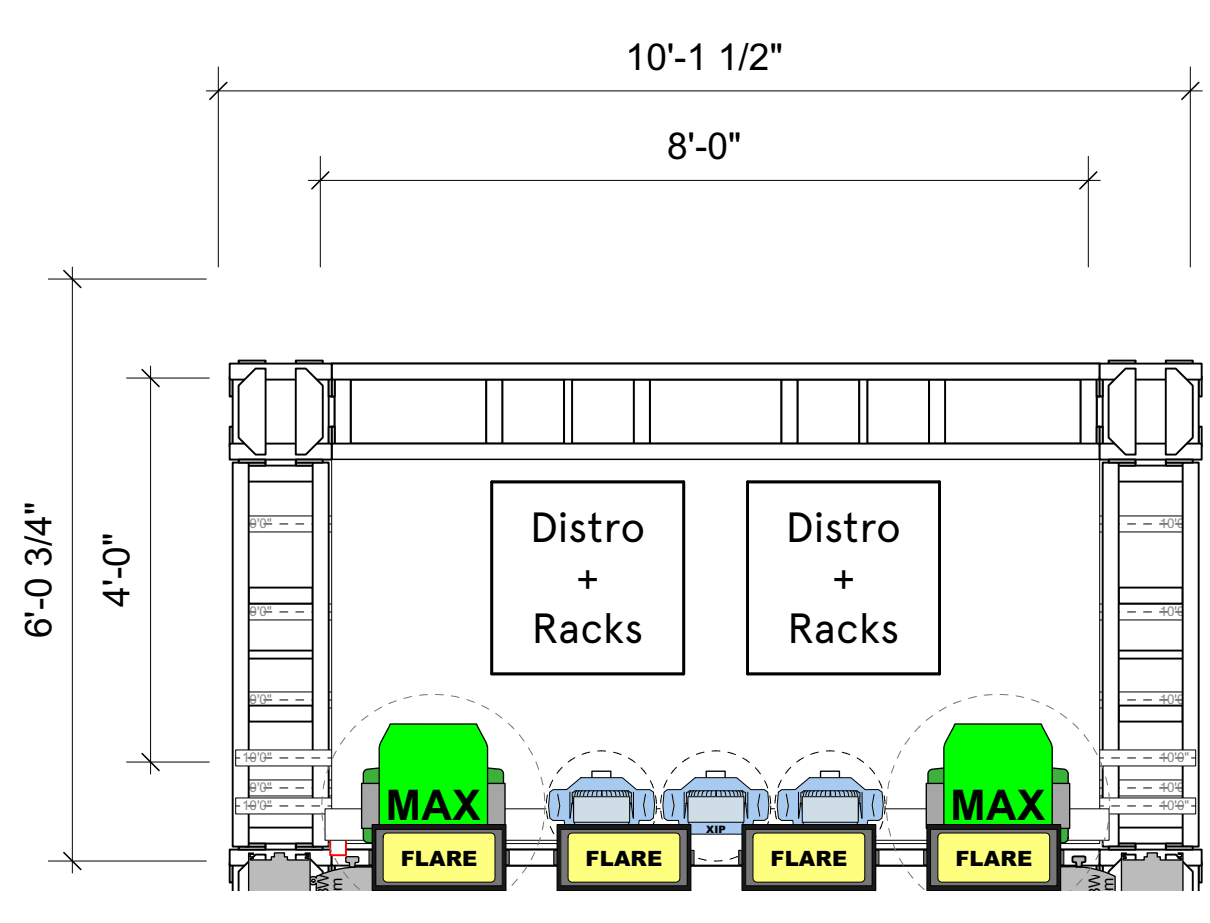
Tower 10  
450 lbs



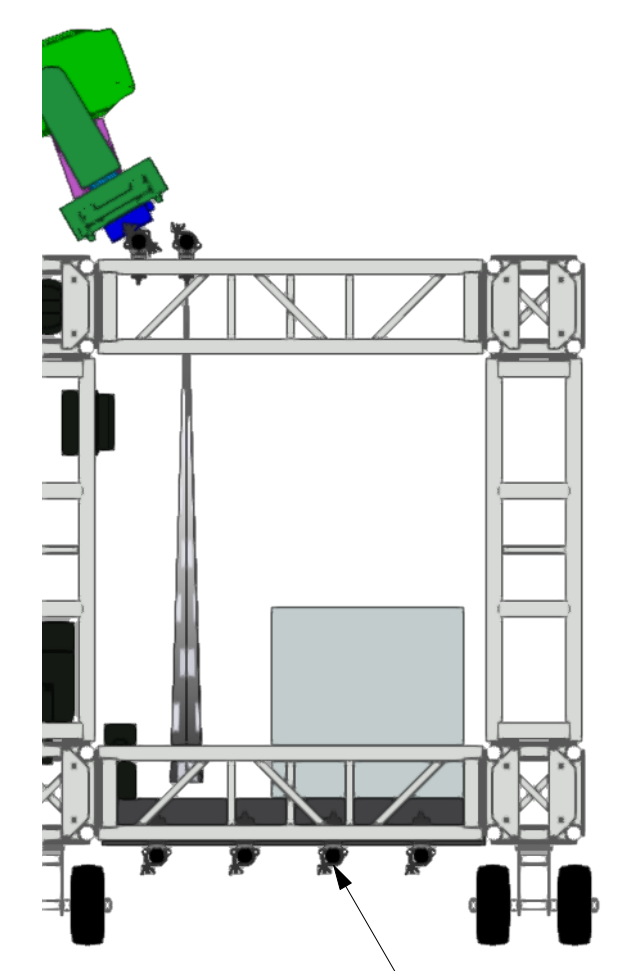
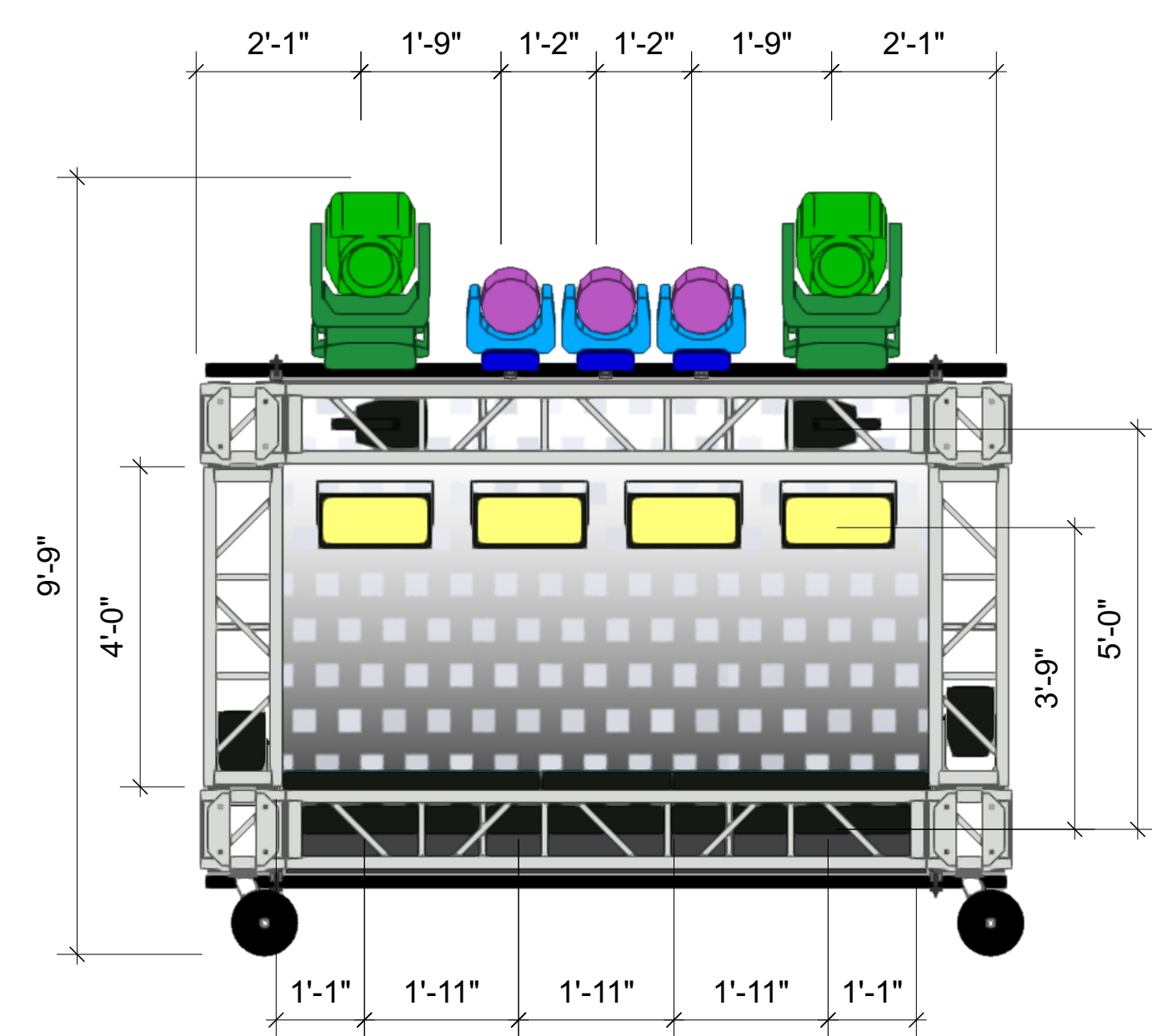
Scissor Lift  
Front Light #1



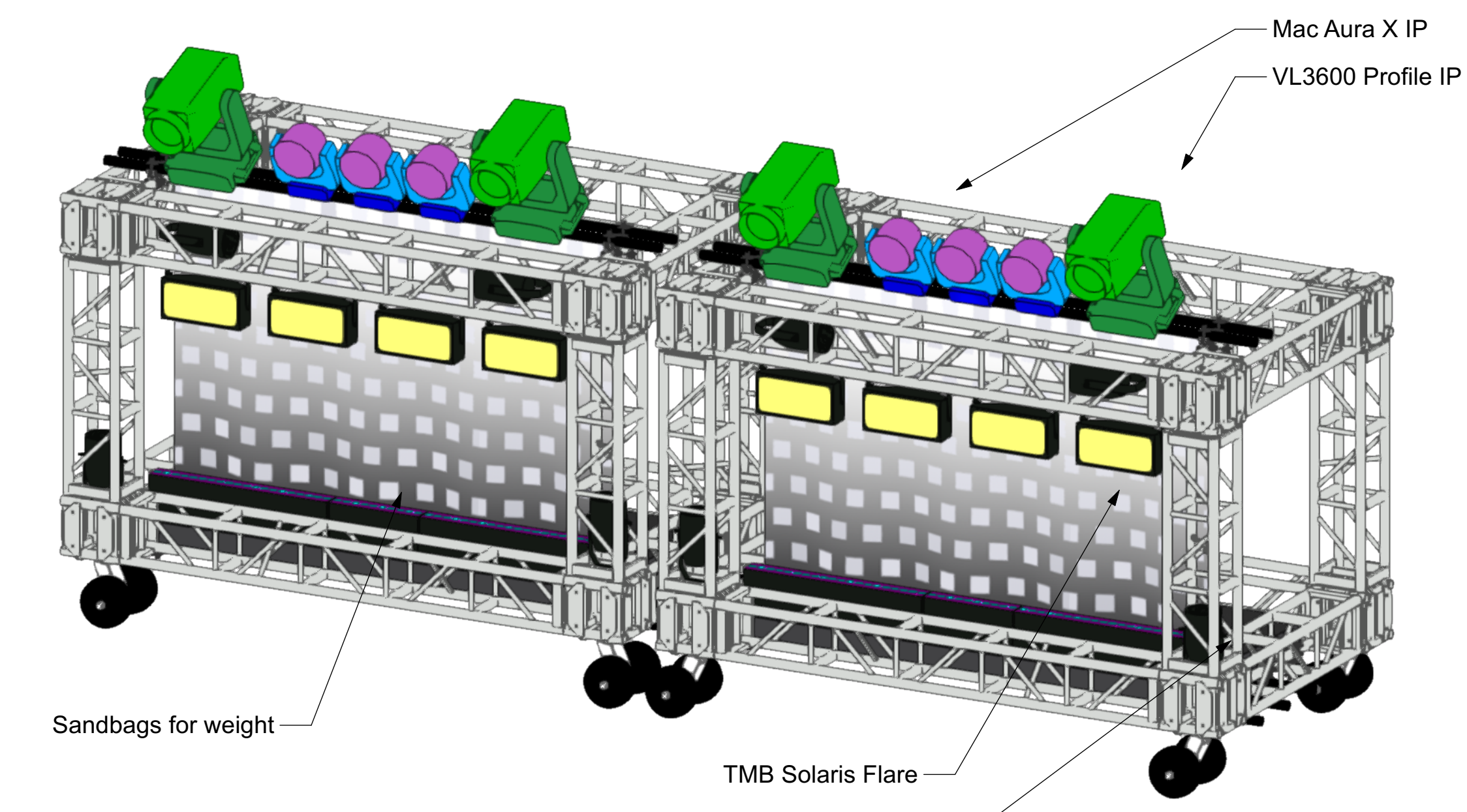
Scissor Lift  
Front Light #2



Rolling Cart 1 & 2  
BUILD 2



Pipe support for sandbags



THIS DRAWING REPRESENTS VISUAL CONCEPTS, LIGHTING FIXTURE PLACEMENT & ERECTING SUGGESTIONS ONLY!!!  
The Designer is not qualified to determine the structural appropriateness of this design and accepts no responsibility or liability for the engineering, fabrication, construction, rigging and weight loading involved in erecting these designs.  
This document and the ideas incorporated herein, are the property of Lee Rose, and are not to be used, in whole or part, for any other project without the prior written authorization of Lee Rose.  
This document may not be reproduced or modified in any way without prior written consent of Lee Rose.  
© Lee Rose Designs - 2021 (all rights reserved)

REVISIONS		
Rev #	Date	Notes
A	9/16/22	First Plot for review
B	9/30/2022	Main street Cars Land shoot cancelled. Looking at Flo's ONLY. Added fixtures for multiple performance coverage
C	10/4/22	Street Stage Removed. Updated Flo's & Added Fixtures
D	10/9/2022	RoboSpot only on ledge at Flo's. Suggested cart for other fixtures. Design TBD. Fixtures left as TBD on plot. Added RoboSpot lift detail. Rigging TBD
E	10/25/22	Fixture Swaps for Pumps and General Clean Up
F	11/2/22	Sheets cleaned up for printing. Carsland VL3600 Profiles swapped 1:1 for Elation Proteus Maximus
G	11/6/22	Modified Overhung Fixtures to have 50" sit forward.

SCALE: 1/4" = 1'0"

Plot Status: LOAD-IN

Production Design:	Patrick Adair
Gaffer:	Tony Ward
Drawn By:	L. Rose/C. Pieratt
CAD File Name:	NYRE_Disney_V8_11_6_22_CP_v2022.vwx
Date:	11/6/22

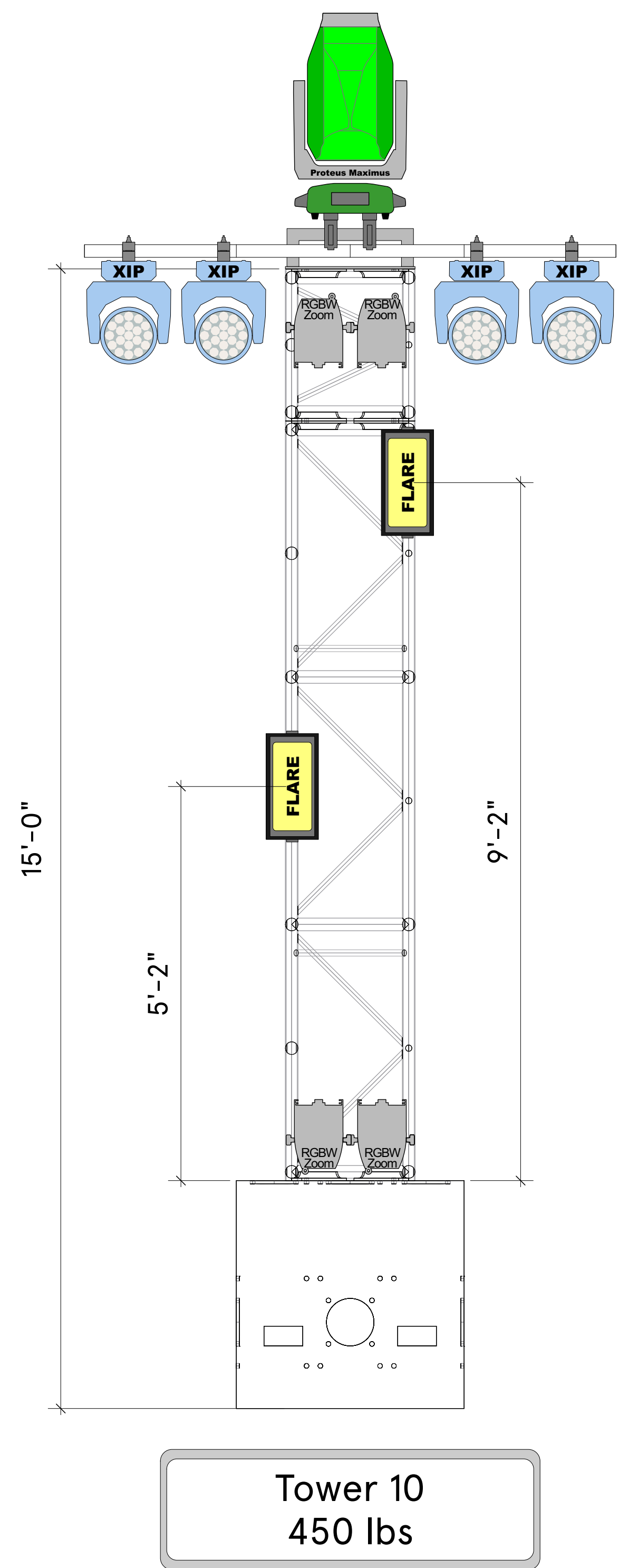
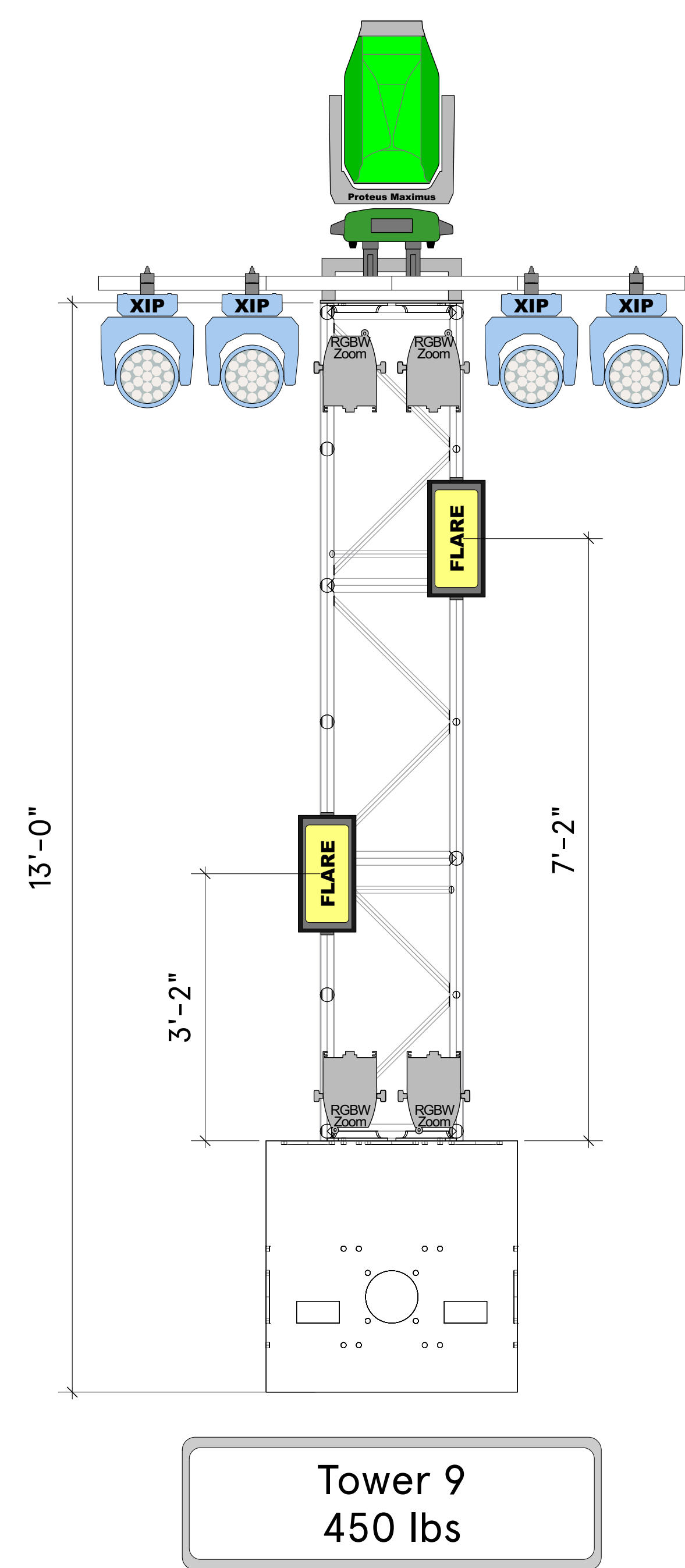
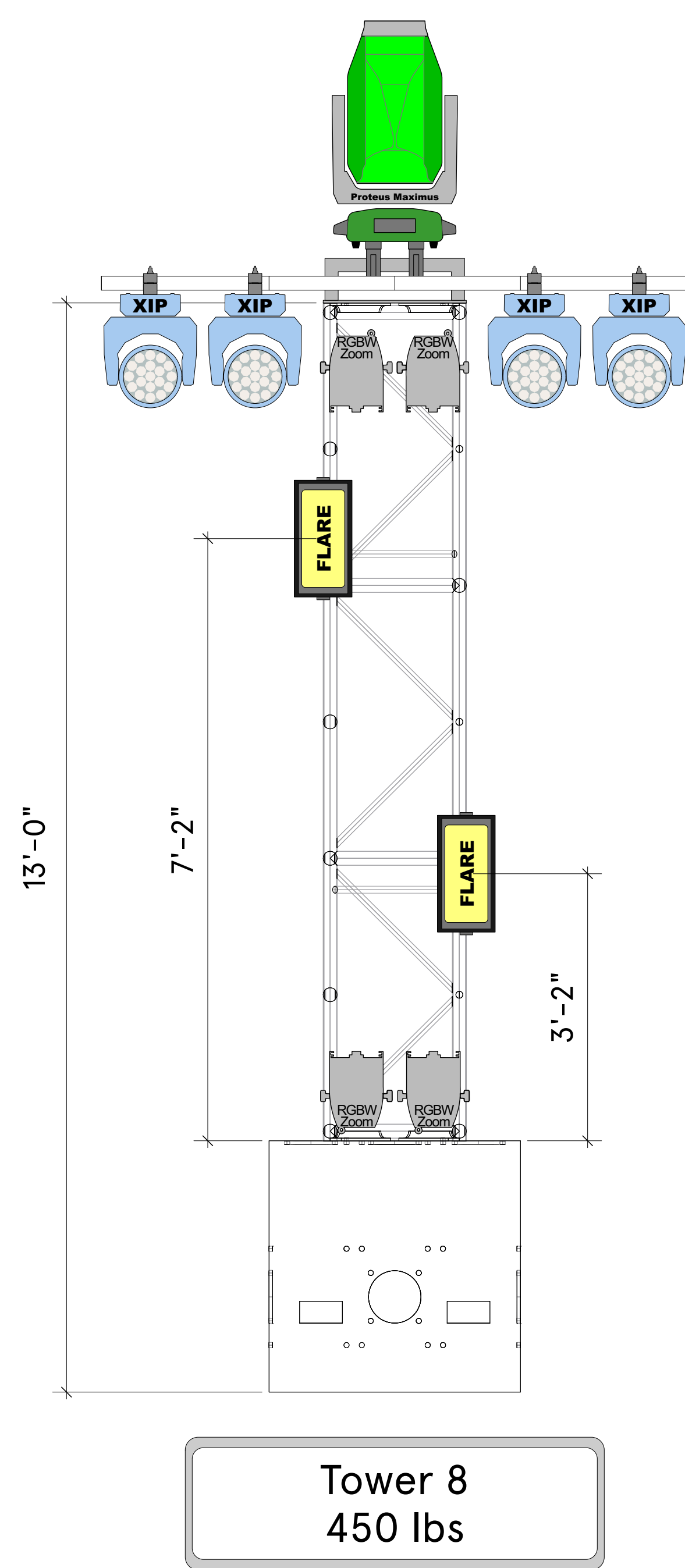
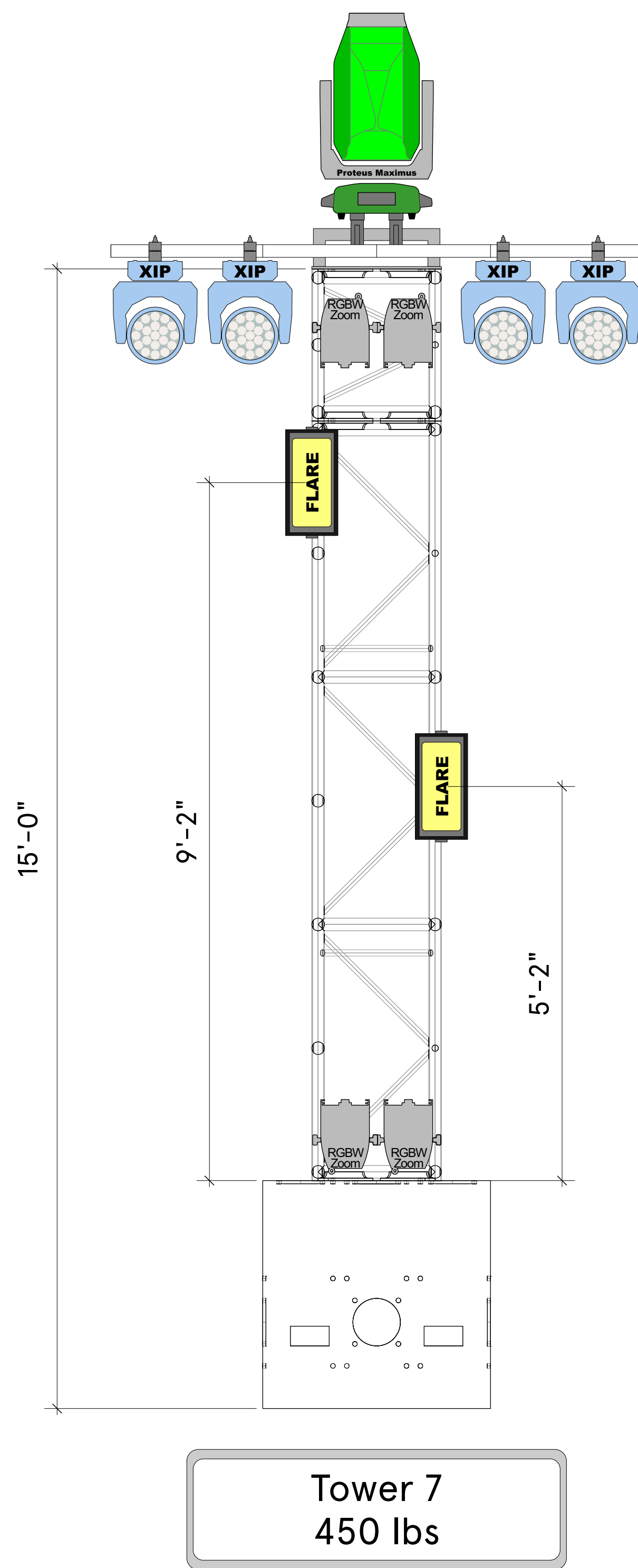
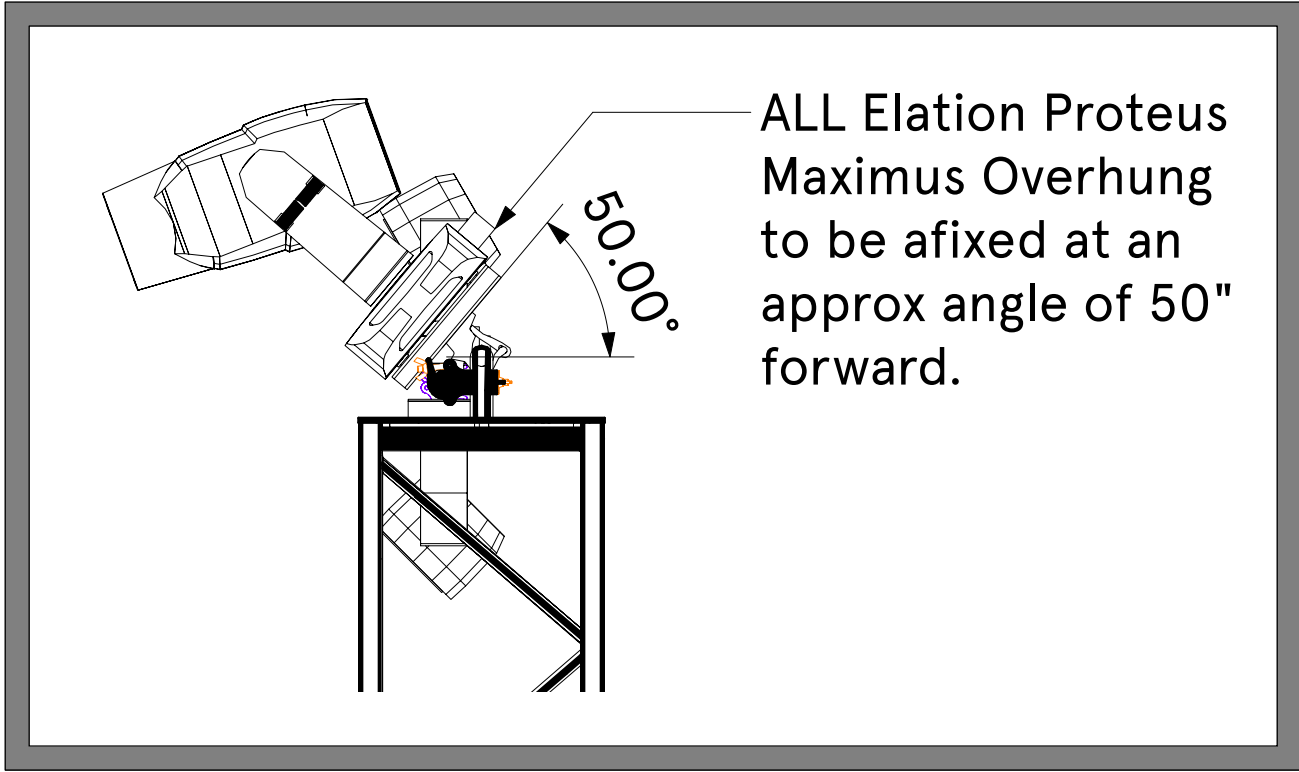
**NEW YEAR'S ROCKIN' EVE 2023**  
with  
**RYAN SEACREST @ Disneyland**

Cars Land  
Position  
Detail ALL

LX 14 of 20  
Sheet







THIS DRAWING REPRESENTS VISUAL CONCEPTS, LIGHTING FIXTURE PLACEMENT & ERECTING SUGGESTIONS ONLY!!  
 The Designer is not qualified to determine the structural appropriateness of this design and accepts no responsibility or liability for the engineering, fabrication, construction, rigging and weight loading involved in erecting these designs.  
 This document and the ideas incorporated herein, as an instrument of professional service, are the property of Lee Rose, and are not to be used, in whole or part, for any other project without the prior written authorization of Lee Rose.  
 This document may not be reproduced or modified in any way without prior written consent of Lee Rose.  
 © Lee Rose Designs - 2021 (all rights reserved)

REVISIONS		
Rev #	Date	Notes
A	9/16/22	First Plot for review
B	9/30/2022	Main street Cars Land shoot cancelled. Looking at Flo's ONLY. Added fixtures for multiple performance coverage
C	10/4/22	Street Stage Removed. Updated Flo's & Added Fixtures
D	10/9/2022	RoboSpot only on ledge at Flo's. Suggested cart for other fixtures. Design TBD. Fixtures left as TBD on plot. Added RoboSpot lift detail. Rigging TBD
E	10/25/22	Fixture Swaps for Pumps and General Clean Up
F	11/2/22	Sheets cleaned up for printing. Carsland VL3600 Profiles swapped 1:1 for Elation Proteus Maximus
G	11/6/22	Modified Overhung Fixtures to have 50° tilt forward.

SCALE: 1/4" = 1'0"  
 Plot Status: **LOAD-IN**  
 Production Design: Patrick Adair  
 Gaffer: Tony Ward  
 Drawn By: L. Rose/C. Pieratt  
 CAD File Name: NYRE\_Disney\_V8\_11\_6\_22\_CP\_v2022.vwx  
 Date: 11/6/22

**NEW YEAR'S ROCKIN' EVE 2023**  
 with  
**RYAN SEACREST @ Disneyland**

Cars Land Tower Detail 7-10





THIS DRAWING REPRESENTS VISUAL CONCEPTS, LIGHTING FIXTURE PLACEMENT & ERECTING SUGGESTIONS ONLY!!

The Designer is not qualified to determine the structural appropriateness of the design and accepts no responsibility or liability for the engineering, fabrication, construction, rigging and weight loading involved in erecting these designs.

This document and the ideas incorporated herein, as an instrument of professional service, are the property of Lee Rose, and are not to be used, in whole or part, for any other project without the prior written authorization of Lee Rose.

This document may not be reproduced or modified in any way without prior written consent of Lee Rose.

© Lee Rose Designs - 2021 (all rights reserved)

**REVISIONS**

Rev #	Date	Notes
A	9/16/22	First Plot for review
B	9/30/2022	Main street Cars Land shoot cancelled. Looking at Flo's ONLY. Added fixtures for multiple performance coverage
C	10/4/22	Street Stage Removed. Updated Flo's & Added Fixtures
D	10/9/2022	RoboSpot only on ledge at Flo's. Suggested cart for other fixtures. Design TBD. Fixtures left as TBD on plot. Added RoboSpot lift detail. Rigging TBD
E	10/25/22	Fixture Swaps for Pumps and General Clean Up
F	11/2/22	Sheets cleaned up for printing. Carsland VL3600 Profiles swapped 1:1 for Elation Proteus Maximus
G	11/6/22	Modified Overhung Fixtures to have 50" tilt forward.

SCALE: 1/4" = 1'0"

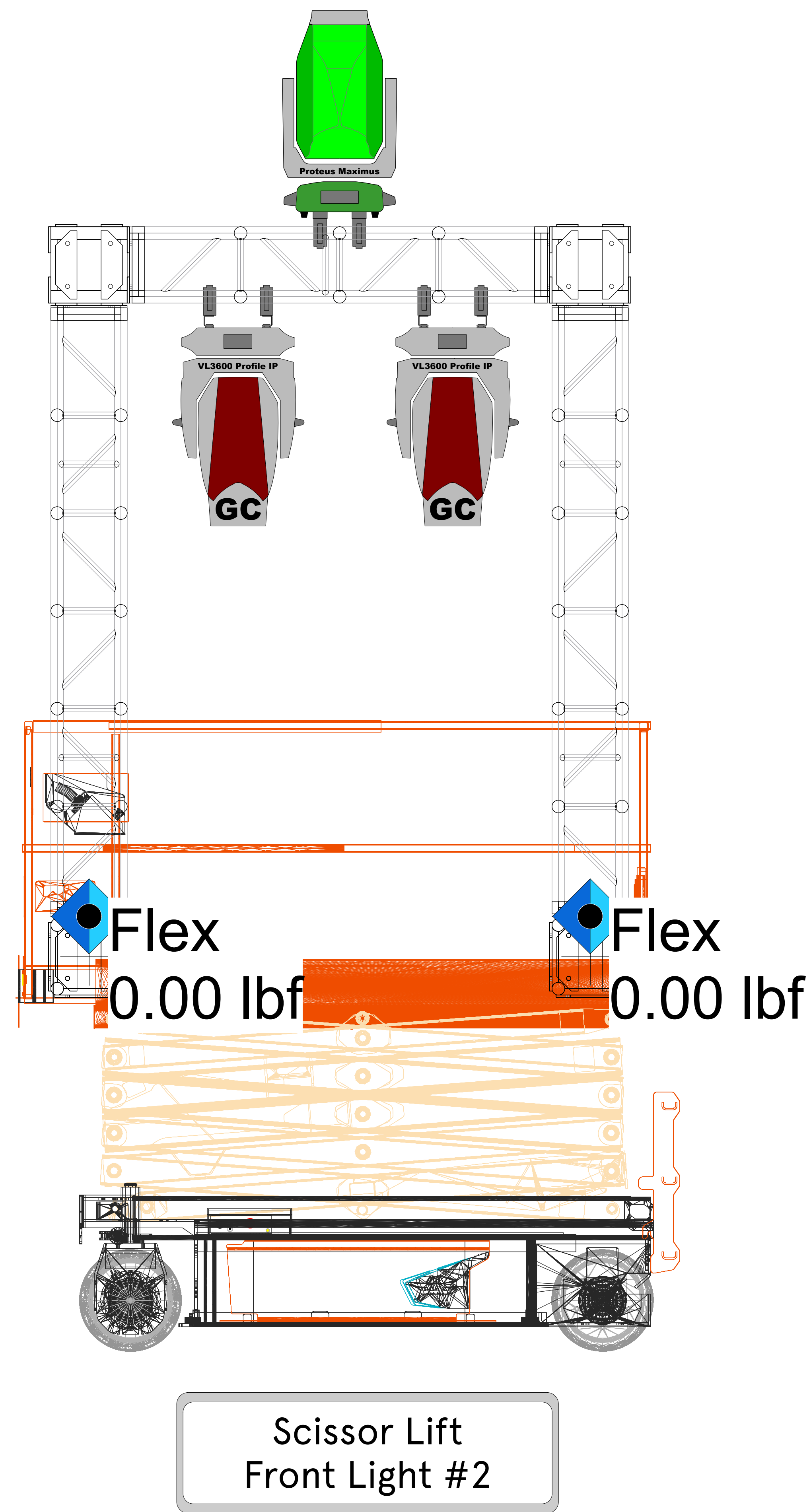
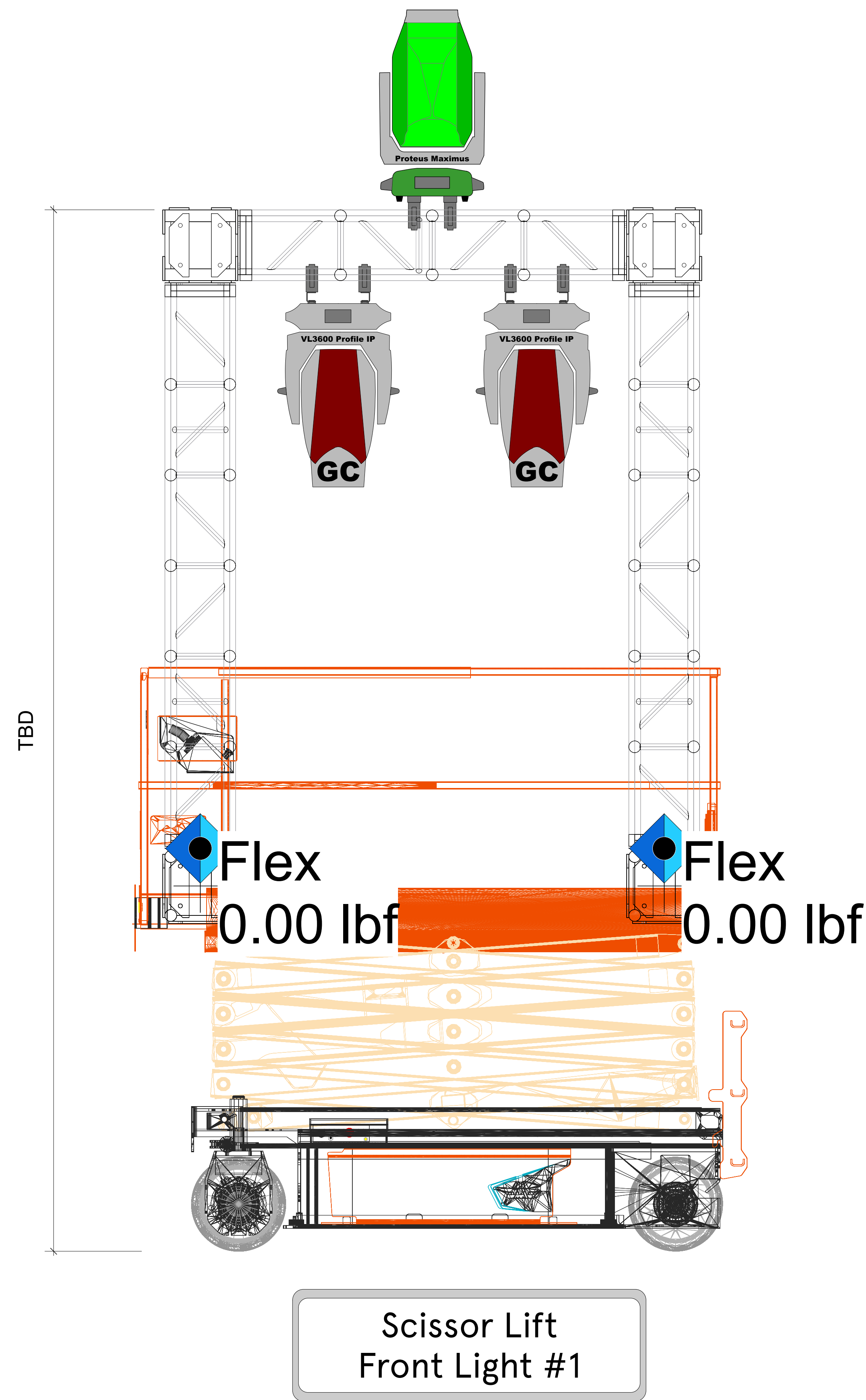
Plot Status: **LOAD-IN**

Production Design:	Patrick Adair
Gaffer:	Tony Ward
Drawn By:	L. Rose/C. Pieratt
CAD File Name:	NYRE_Disney_V8_11_6_22_CP_v2022.vwx
Date:	11/6/22

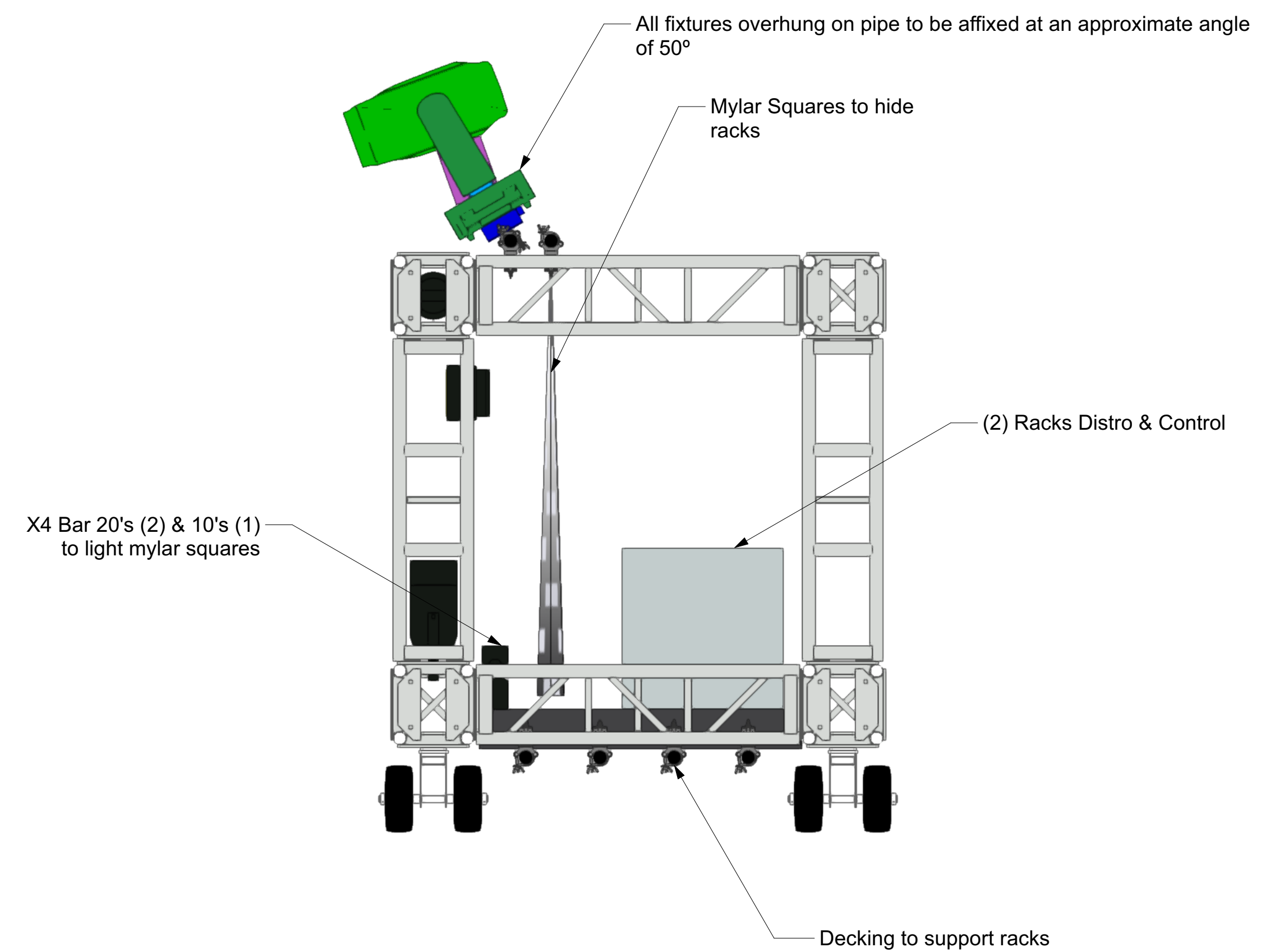
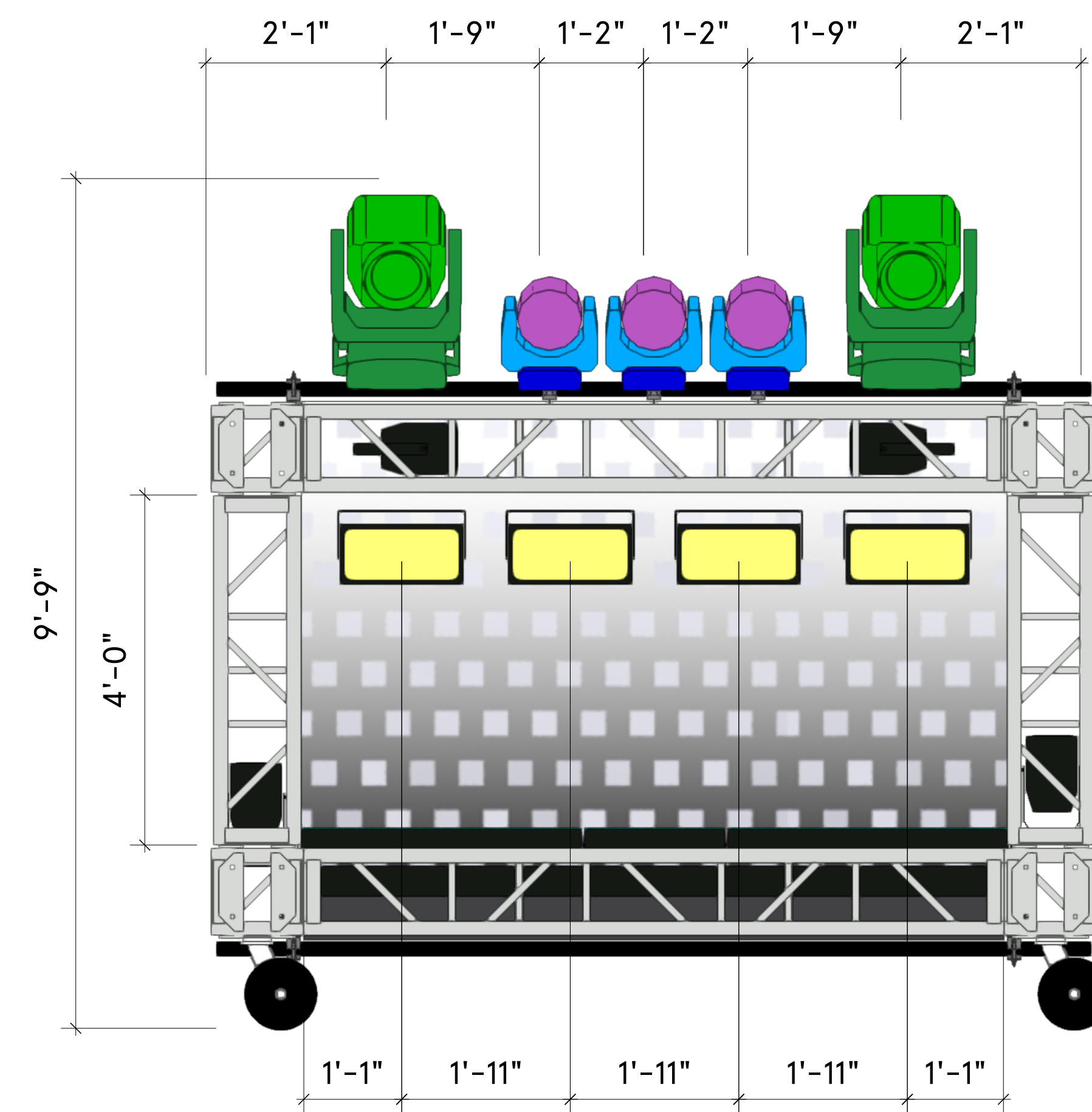
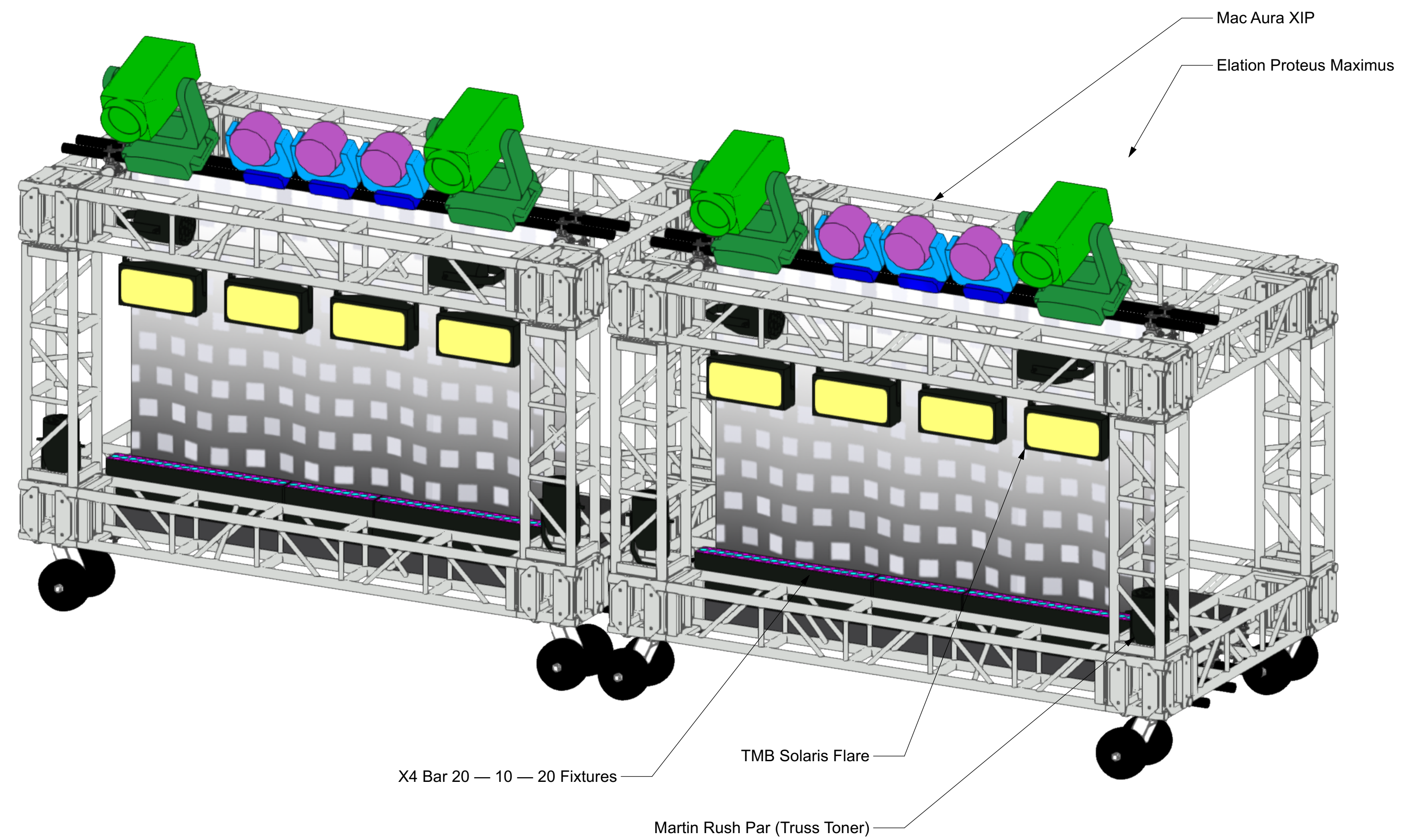
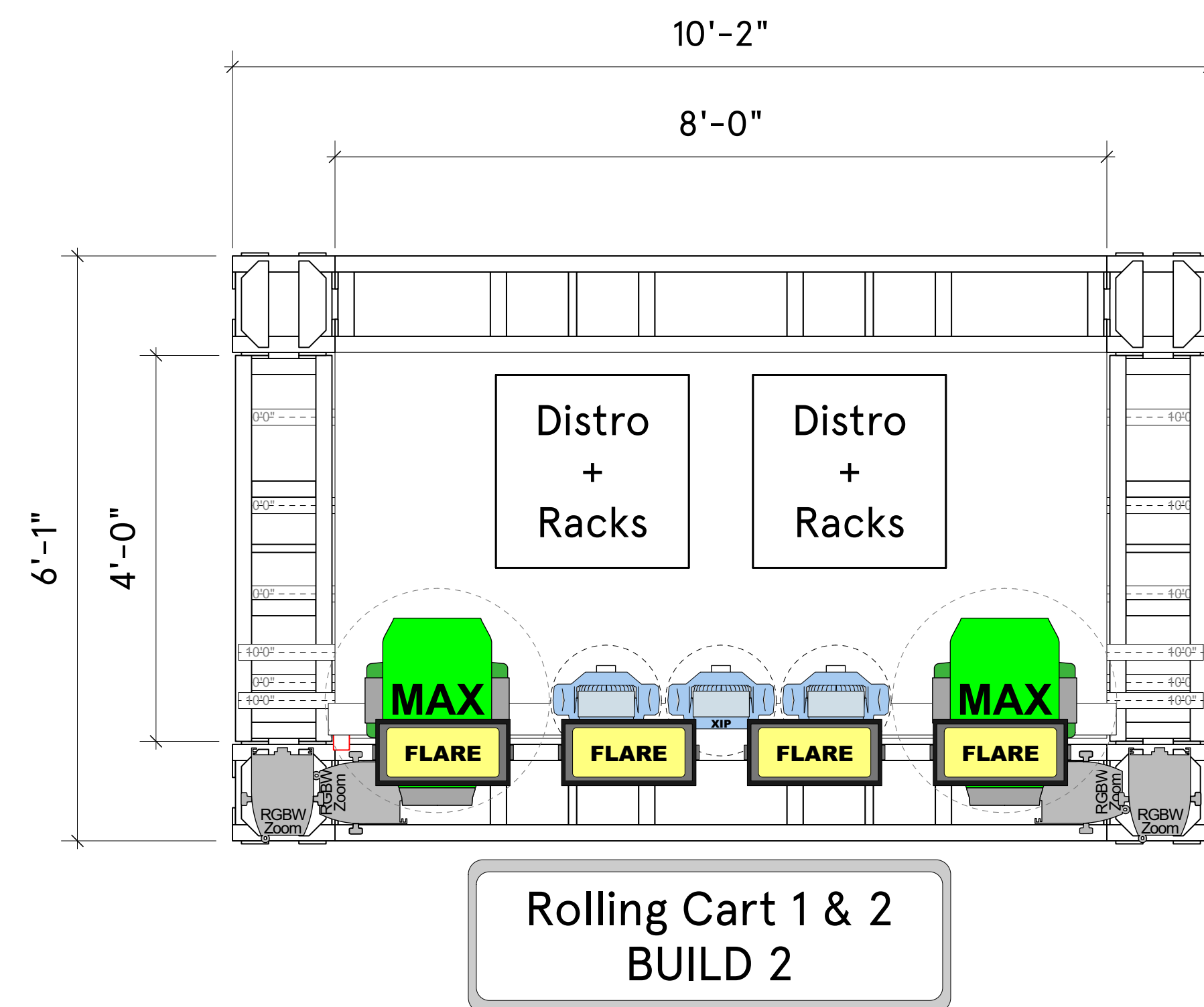
**NEW YEAR'S ROCKIN' EVE 2023**  
with  
**RYAN SEACREST @ Disneyland**

Cars Land  
Scissor Lift  
Detail

LX 16 of 20  
Sheet







THIS DRAWING REPRESENTS VISUAL CONCEPTS, LIGHTING FIXTURE PLACEMENT & ERECTING SUGGESTIONS ONLY!!

The Designer is not qualified to determine the structural appropriateness of this design and accepts no responsibility or liability for the engineering, fabrication, construction, rigging and weight loading involved in erecting these designs.

This document and the ideas incorporated herein, are an instrument of professional service, are the property of Lee Rose, and are not to be used, in whole or part, for any other project without the prior written authorization of Lee Rose.

This document may not be reproduced or modified in any way without prior written consent of Lee Rose.  
© Lee Rose Designs - 2021 (all rights reserved)

**REVISIONS**

Rev #	Date	Notes
A	9/16/22	First Plot for review
B	9/30/2022	Main street Cars Land shoot cancelled. Looking at Flo's ONLY. Added fixtures for multiple performance coverage
C	10/4/22	Street Stage Removed. Updated Flo's & Added Fixtures
D	10/9/2022	RoboSpot only on ledge at Flo's. Suggested cart for other fixtures. Design TBD. Fixtures left as TBD on plot. Added RoboSpot lift detail. Rigging TBD
E	10/25/22	Fixture Swaps for Pumps and General Clean Up
F	11/2/22	Sheets cleaned up for printing. Carsland VL3600 Profiles swapped 1:1 for Elation Proteus Maximus
G	11/6/22	Modified Overhung Fixtures to have 50° tilt forward.

SCALE: 1/4" = 1'0"

Plot Status: **LOAD-IN**

Production Design:	Patrick Adair
Gaffer:	Tony Ward
Drawn By:	L. Rose/C. Pieratt
CAD File Name:	NYRE_Disney_V8_11_6_22_CP_v2022.vwx
Date:	11/6/22

**NEW YEAR'S ROCKIN' EVE 2023**  
with  
**RYAN SEACREST @ Disneyland**

Cars Land  
Rolling Cart  
Detail

LX 17 of 20  
Sheet





THIS DRAWING REPRESENTS VISUAL CONCEPTS, LIGHTING FIXTURE PLACEMENT & ERECTING SUGGESTIONS ONLY!!

The Designer is not qualified to determine the structural appropriateness of this design and accepts no responsibility or liability for the engineering, fabrication, construction, rigging and weight loading involved in erecting these designs.

This document and the ideas incorporated herein, as an instrument of professional service, are the property of Lee Rose, and are not to be used, in whole or part, for any other project without the prior written authorization of Lee Rose.

This document may not be reproduced or modified in any way without prior written consent of Lee Rose.

© Lee Rose Designs - 2021 (all rights reserved)

**REVISIONS**

Rev #	Date	Notes
A	9/16/22	First Plot for review
B	9/30/2022	Main street Cars Land shoot cancelled. Looking at Flo's ONLY. Added fixtures for multiple performance coverage
C	10/4/22	Street Stage Removed. Updated Flo's & Added Fixtures
D	10/9/2022	RoboSpot only on ledge at Flo's. Suggested cart for other fixtures. Design TBD. Fixtures left as TBD on plot. Added RoboSpot lift detail. Rigging TBD
E	10/25/22	Fixture Swaps for Pumps and General Clean Up
F	11/2/22	Sheets cleaned up for printing. Carsland VL3600 Profiles swapped 1:1 for Elation Proteus Maxisus
G	11/6/22	Modified Overhung Fixtures to have 50" lift forward.

SCALE: 1/4" = 1'0"

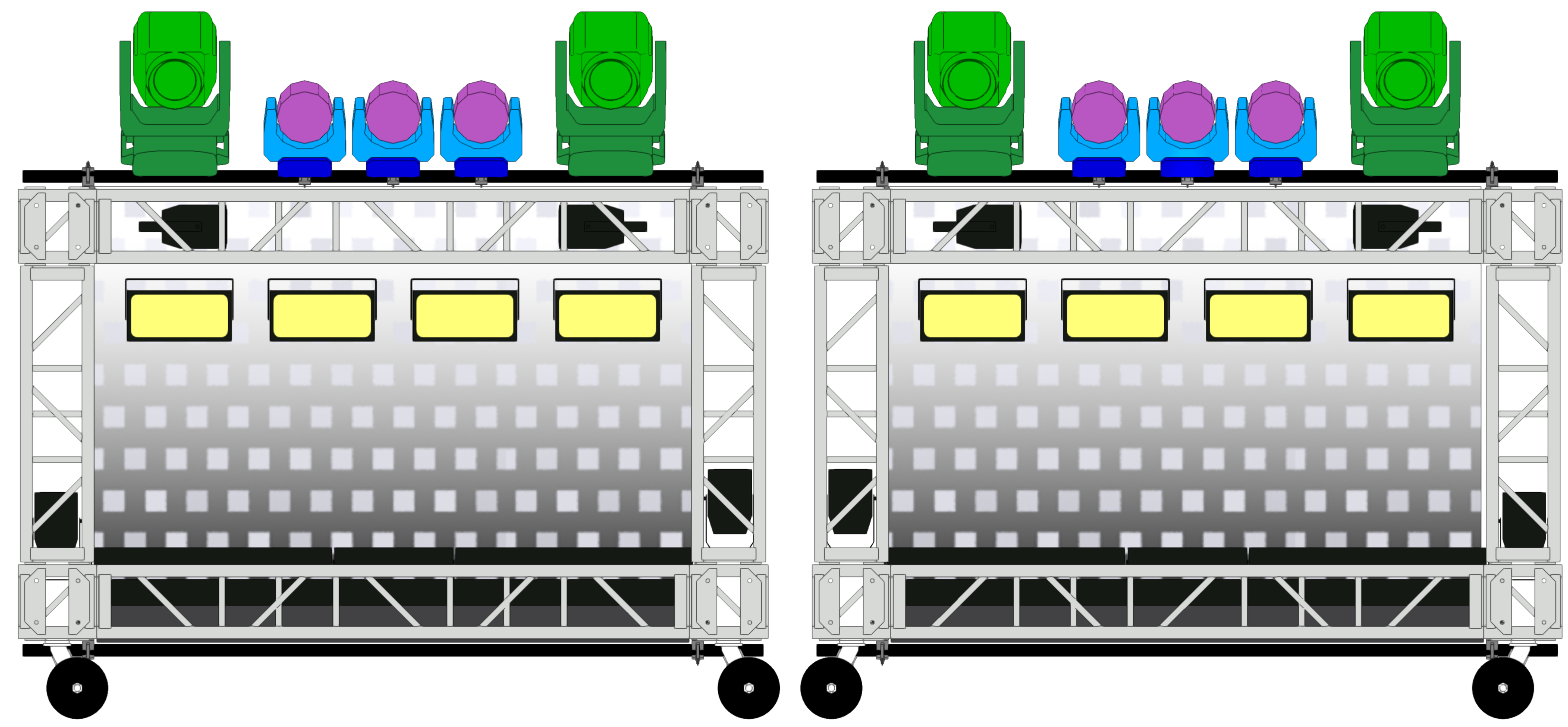
Plot Status: **LOAD-IN**

Production Design:	Patrick Adair
Gaffer:	Tony Ward
Drawn By:	L. Rose/C. Pieratt
CAD File Name:	NYRE_Disney_V8_11_6_22_CP_v2022.vwx
Date:	11/6/22

**NEW YEAR'S ROCKIN' EVE 2023**  
with  
**RYAN SEACREST @ Disneyland**

Cars Land Rolling Cart Detail Blank

LX 18 of 20 Sheet





THIS DRAWING REPRESENTS VISUAL CONCEPTS, LIGHTING FIXTURE PLACEMENT & ERECTING SUGGESTIONS ONLY!!  
 The Designer is not qualified to determine the structural appropriateness of this design and accepts no responsibility or liability for the engineering, fabrication, construction, rigging and weight loading involved in erecting these designs.  
 This document and the ideas incorporated herein, as an instrument of professional service, are the property of Lee Rose, and are not to be used, in whole or part, for any other project without the prior written authorization of Lee Rose.  
 This document may not be reproduced or modified in any way without prior written consent of Lee Rose.  
 © Lee Rose Designs - 2021 (all rights reserved)

**REVISIONS**

Rev #	Date	Notes
A	9/16/22	First Plot for review
B	9/30/2022	Main street Cars Land shoot cancelled. Looking at Flo's ONLY. Added fixtures for multiple performance coverage
C	10/4/22	Street Stage Removed. Updated Flo's & Added Fixtures
D	10/9/2022	RoboSpot only on ledge at Flo's. Suggested cart for other fixtures. Design TBD. Fixtures left as TBD on plot. Added RoboSpot lift detail. Rigging TBD
E	10/25/22	Fixture Swaps for Pumps and General Clean Up
F	11/2/22	Sheets cleaned up for printing. Carsland VL3600 Profiles swapped 1:1 for Elation Proteus Maximus
G	11/6/22	Modified Overhung Fixtures to have 50" sit forward.

SCALE: 1/4" = 1'0"

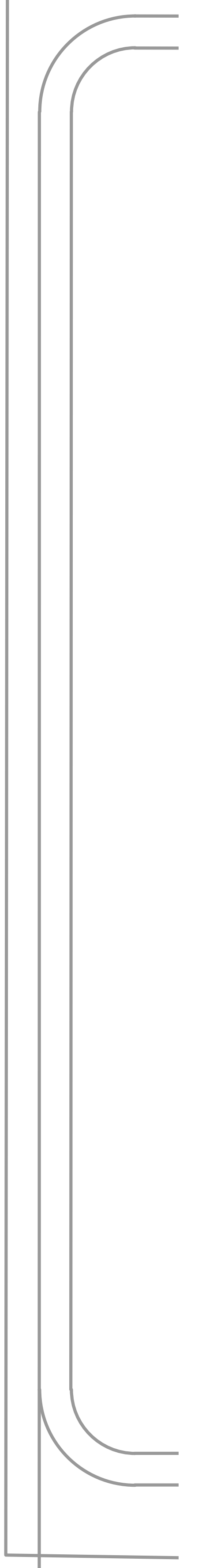
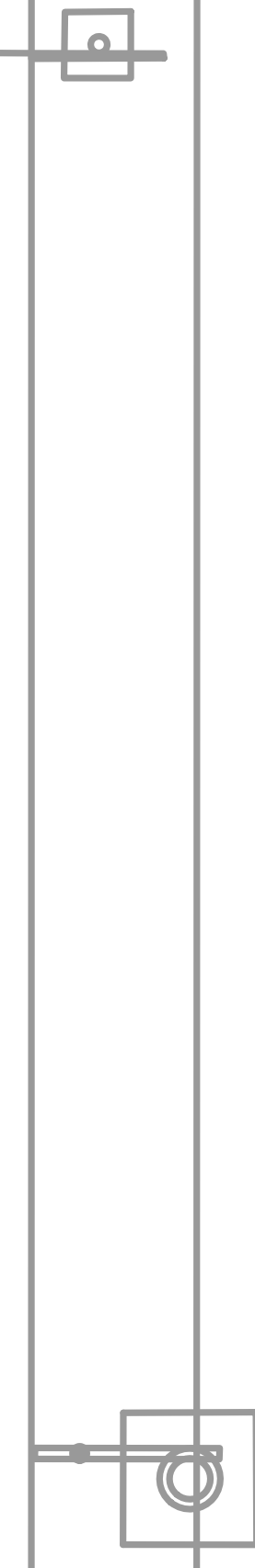
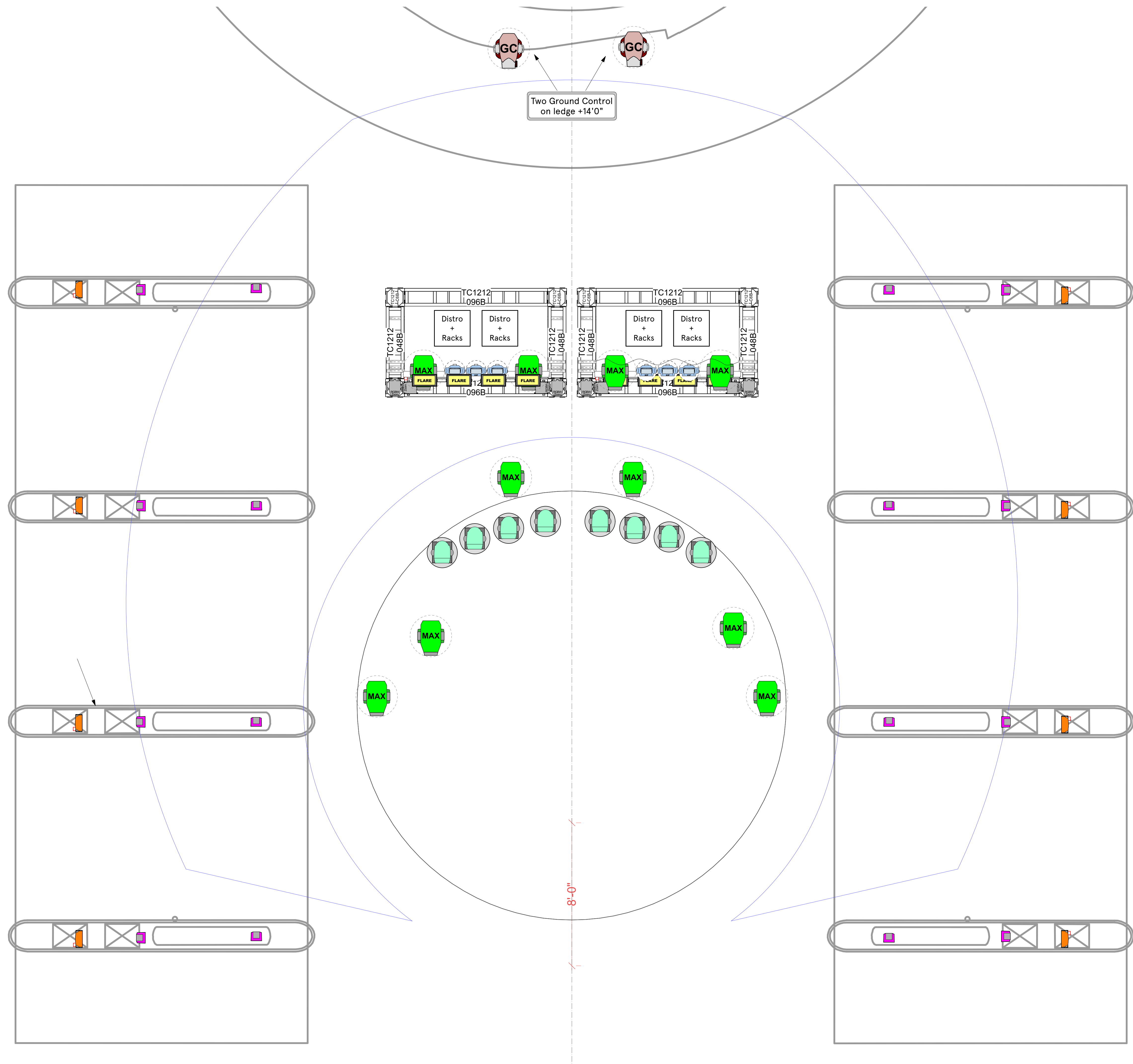
Plot Status: **LOAD-IN**

Production Design:	Patrick Adair
Gaffer:	Tony Ward
Drawn By:	L. Rose/C. Pieratt
CAD File Name:	NYRE_Disney_V8_11_6_22_CP_v2022.vwx
Date:	11/6/22

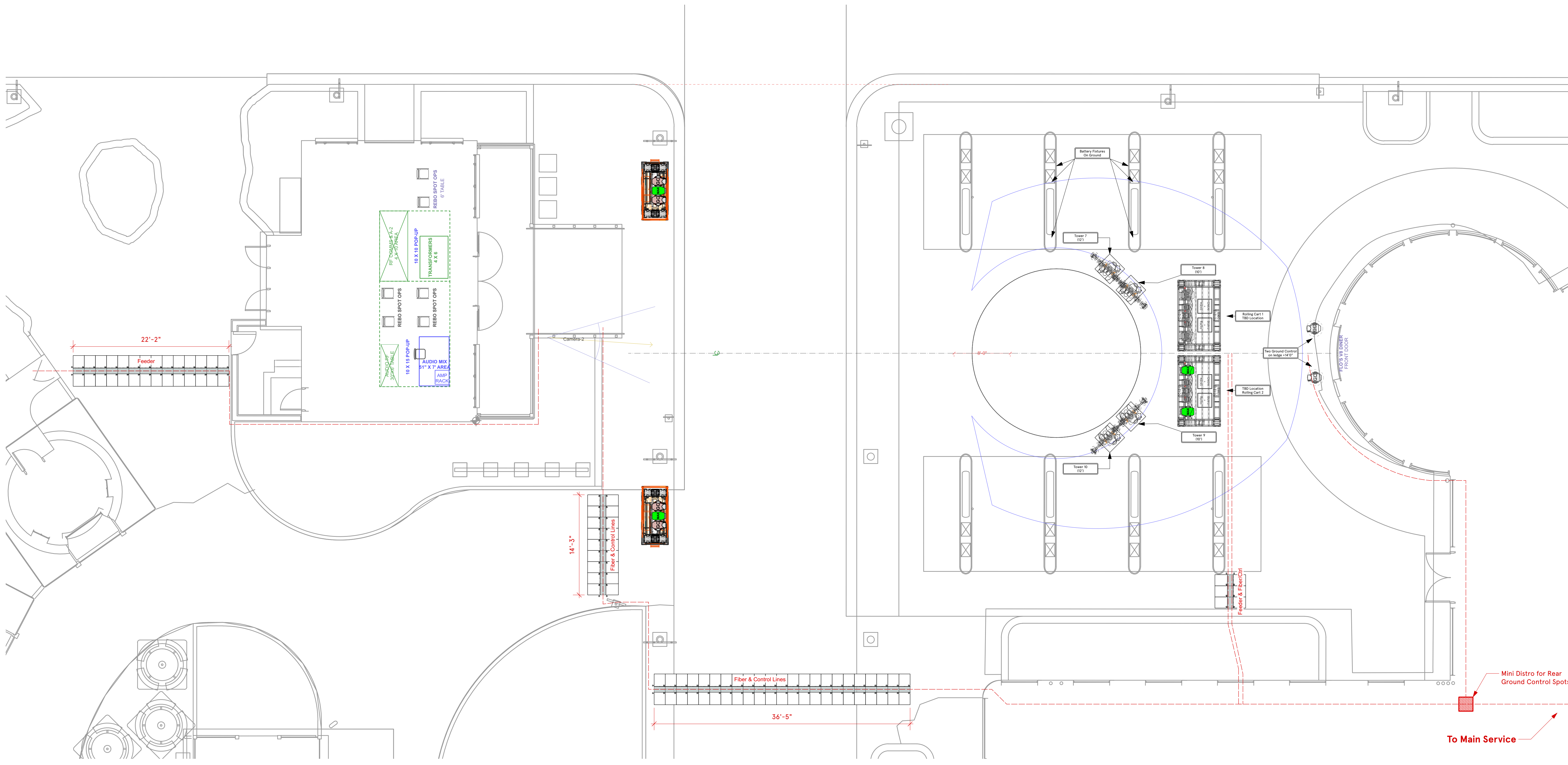
**NEW YEAR'S ROCKIN' EVE 2023**  
 with  
**RYAN SEACREST @ Disneyland**

Cars Land Stage Fixtures

LX 19 of 20 Sheet







**THIS DRAWING REPRESENTS VISUAL CONCEPTS, LIGHTING FIXTURE PLACEMENT & ERECTING SUGGESTIONS ONLY!!!**

The Designer is not qualified to determine the structural appropriateness of this design and accepts no responsibility or liability for the engineering, fabrication, construction, rigging and weight loading involved in erecting these designs.

This document and the ideas incorporated herein, as an instrument of professional service, are the property of Lee Rose, and are not to be used, in whole or part, for any other project without the prior written authorization of Lee Rose.

This document may not be reproduced or modified in any way without prior written consent of Lee Rose.

© Lee Rose Designs - 2021 (all rights reserved)

REVISIONS		
Rev #	Date	Notes
A	9/16/22	First Plot for review
B	9/30/2022	Main street Cars Land shoot cancelled. Looking at Flo's ONLY. Added fixtures for multiple performance coverage
C	10/4/22	Street Stage Removed. Updated Flo's & Added Fixtures
D	10/9/2022	RoboSpot only on ledge at Flo's. Suggested cart for other fixtures. Design TBD. Fixtures left as TBD on plot. Added RoboSpot lift detail. Rigging TBD
E	10/25/22	Fixture Swaps for Pumps and General Clean Up
F	11/2/22	Sheets cleaned up for printing. Carsland VL3600 Profiles swapped 1:1 for Elation Proteus Massimo
G	11/6/22	Modified Overhung Fixtures to have 50" tilt forward.

SCALE: 1/4" = 1'0"

Plot Status: **LOAD-IN**

Production Design:	Patrick Adair
Gaffer:	Tony Ward
Drawn By:	L. Rose/C. Pieratt
CAD File Name:	NYRE Disney_V8_11_6_22_CP_v2022.vwx
Date:	11/6/22

# NEW YEAR'S ROCKIN' EVE 2023

with  
**RYAN SEACREST @ Disneyland**

Cars Land  
Cable  
Routes

LX 20 of 20  
Sheet

