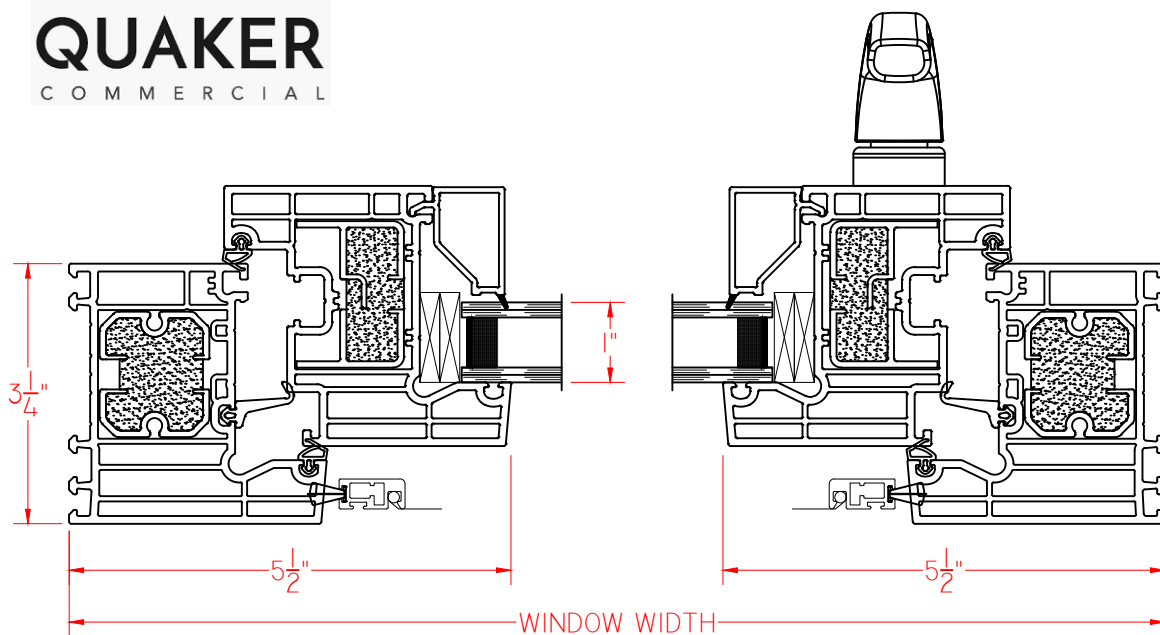
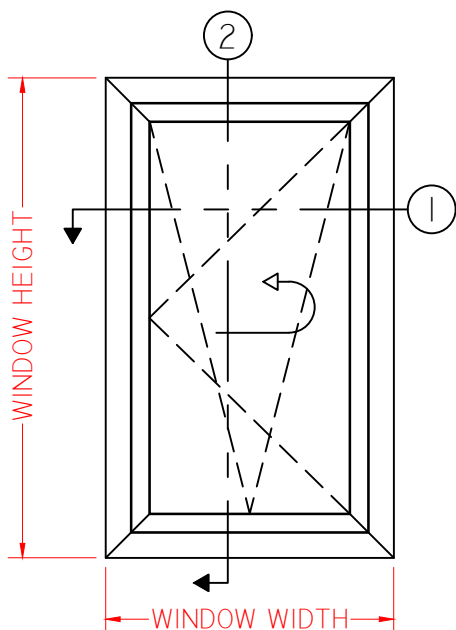




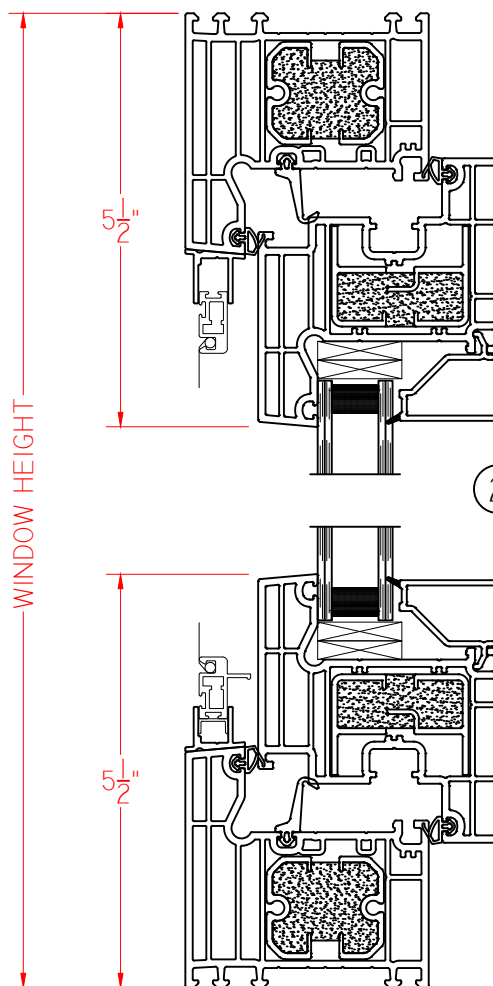
# V500 SERIES TURN - TILT



① HORIZONTAL  
CROSS SECTION



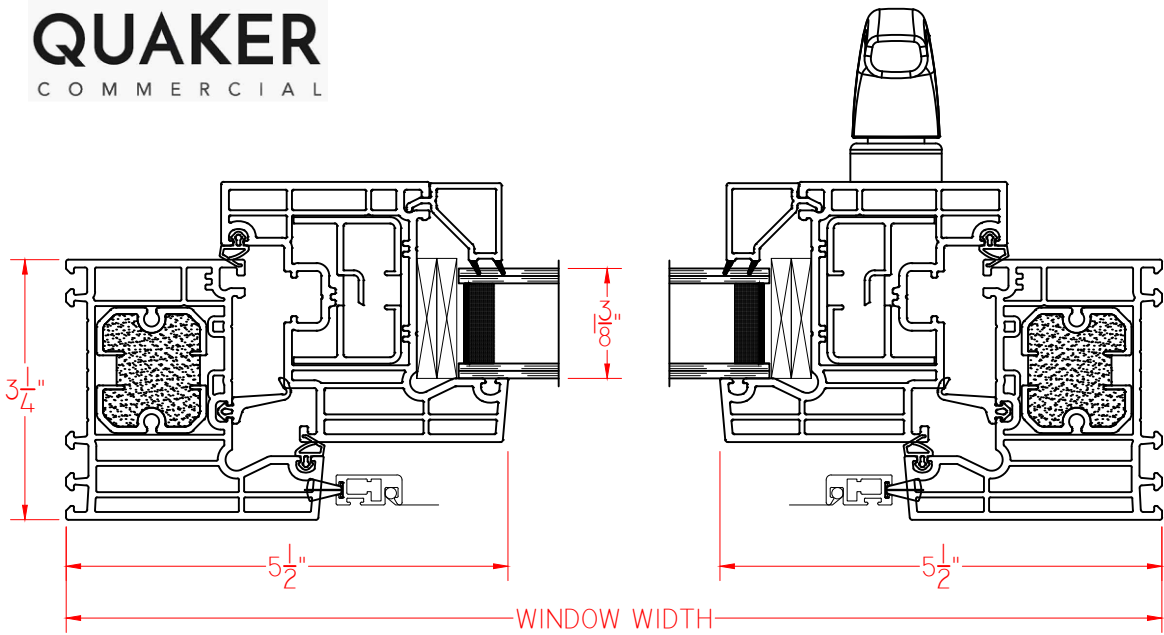
ELEVATION SCALE 1/2" = 1'-0"



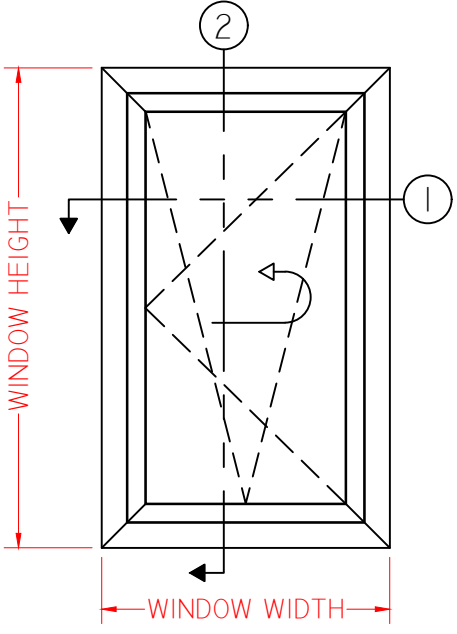
② VERTICAL  
CROSS SECTION



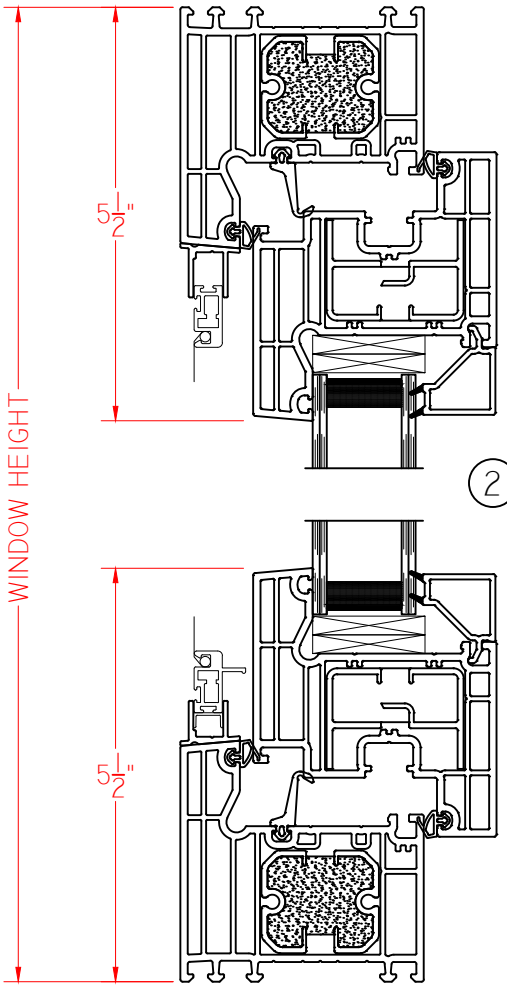
# V500 SERIES TURN - TILT



1 HORIZONTAL  
CROSS SECTION



ELEVATION SCALE 1/2" = 1'-0"



2 VERTICAL  
CROSS SECTION

THIS DOCUMENT CONTAINS CONFIDENTIAL AND PROPRIETARY INFORMATION INTENDED FOR THE PRIVATE USE OF QUAKER. ©2015 QUAKER WINDOW PRODUCTS CO. INC. ALL RIGHTS RESERVED. QUAKER RESERVES THE RIGHT TO CHANGE ANY/ALL DESIGNS WITHOUT NOTICE. DUE TO PERIODIC RE-CERTIFICATION REQUIREMENTS, RESULTS SHOWN MAY VARY.