

INSTALLATION SPECIFICATIONS
FOR SOLID PANEL READY (OP) AND
GLASS FRAMED PANEL READY (OG)



INSTALLATION SPECIFICATIONS - SOLID (OP) AND GLASS FRAMED PANEL (OG)

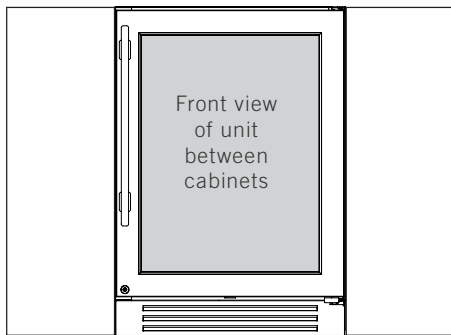
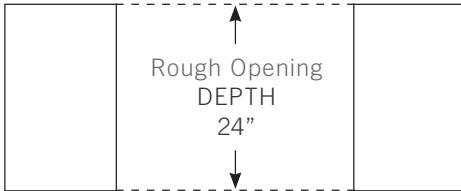
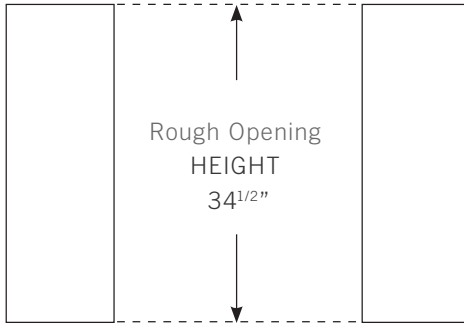
True's units with Solid and Glass Framed Panels are designed to be inserted into a cabinet opening or free standing. Below are recommended dimensions for rough opening.

True's stainless steel cabinets are UL rated for use in outdoor settings.

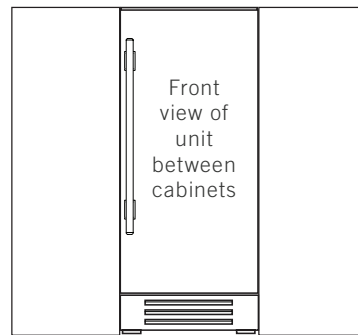
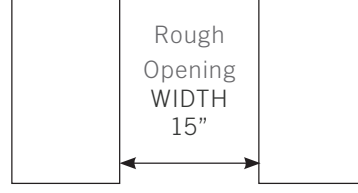
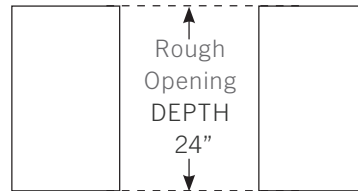
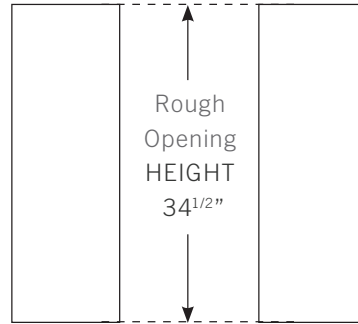
In outdoor locations where the ambient temperature regularly exceeds 95°F, it is recommended to vent the rear of the cut out opening in the area shown below for optimum performance.

The recommended cut out size is 4" x 10".

24 INCH



15 INCH



24 INCH

ALL REFRIGERATOR



TUR-24-R/L-OP-B



TUR-24-R/L-OG-B



TUR-24-D-OP-B

BEVERAGE CENTER



TBC-24-R/L-OP-B



TBC-24-R/L-OG-B

WINE CABINET



TWC-24-R/L-OP-B



TWC-24-R/L-OG-B

DUAL ZONE WINE CABINET



TWC-24DZ-R/L-OP-B



TWC-24DZ-R/L-OG-B

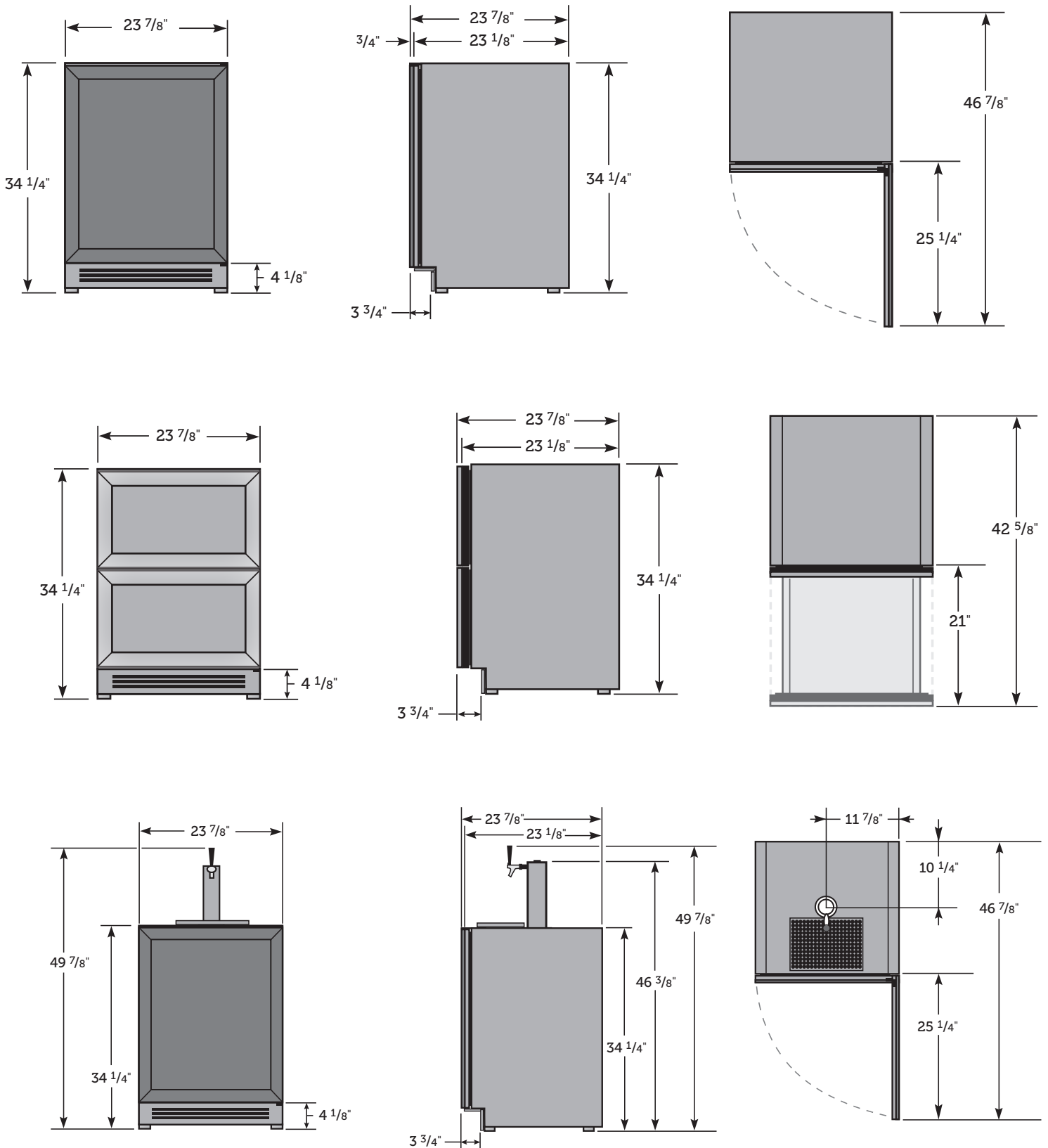
BEVERAGE DISPENSER



TUR-24BD-R/L-OP-B



TUR-24DD-R/L-OP-B



24" SINGLE TAP UNIT ACCOMMODATES (1) SHORT 1/4 BARREL, (1) SLIM 1/4 BARREL, OR (1) 1/6 BARREL. 24" DUAL TAP UNIT ACCOMMODATES (2) 1/6 BARRELS OR (1) SLIM 1/4 BARREL AND (1) 1/6 BARREL.

*** INCLUDING 3/4" THICK PANEL (PROVIDED BY OTHERS)
DIMENSIONS MAY VARY BY $\pm \frac{1}{8}$ "**

15 INCH

ALL REFRIGERATOR



TUR-15-R/L-OP-B



TUR-15-R/L-OG-B

WINE CABINET



TWC-15-R/L-OP-B

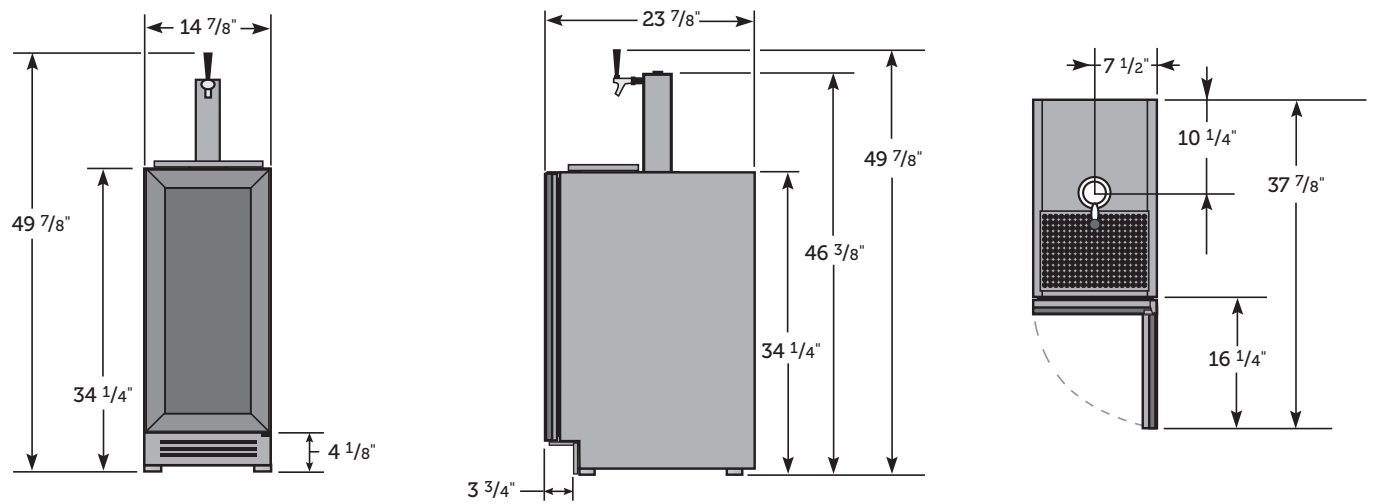
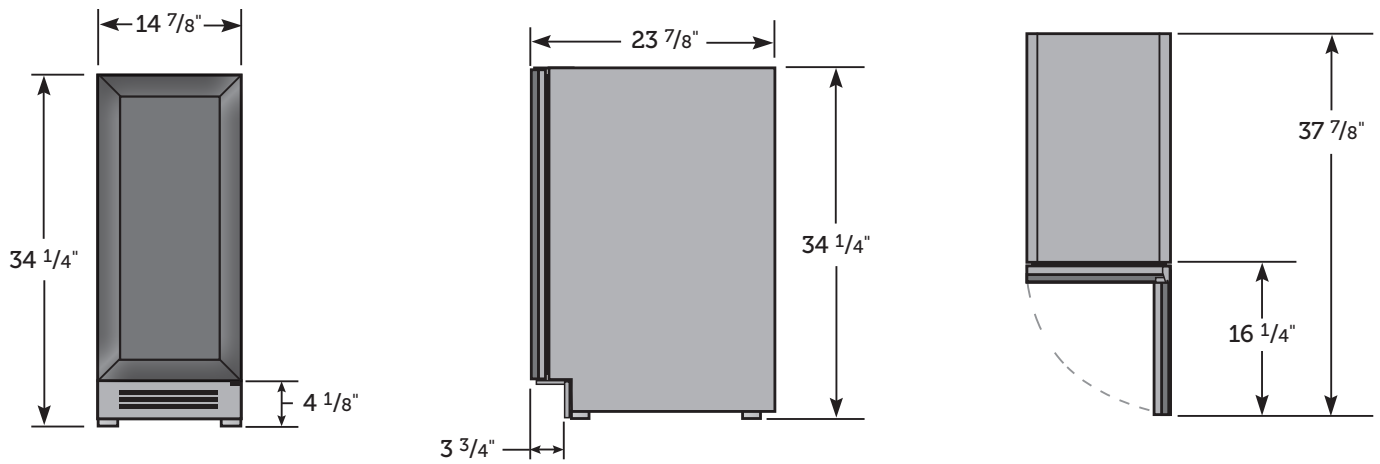


TWC-15-R/L-OG-B

BEVERAGE DISPENSER



TUR-15BD-R/L-OP-B



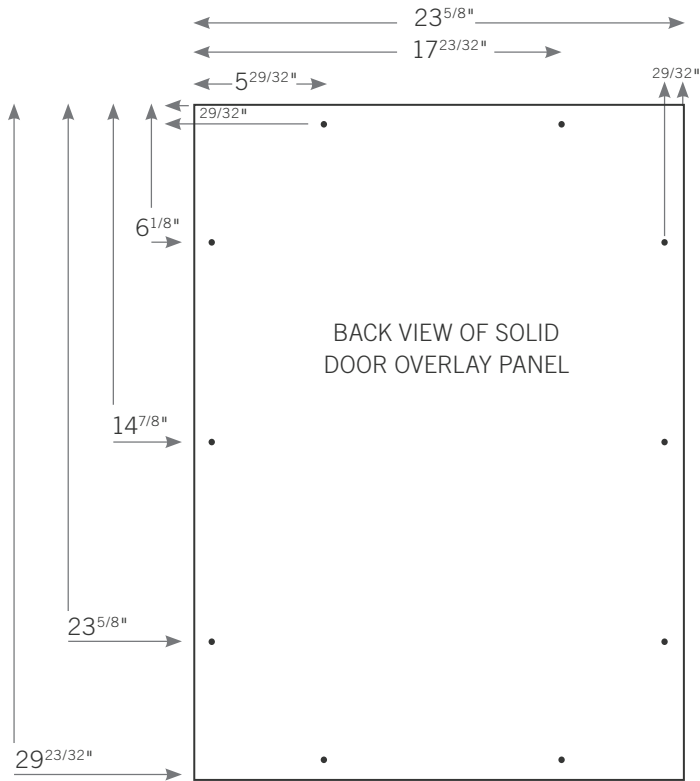
**15" SINGLE TAP UNIT ACCOMMODATES
(1) SLIM 1/4 BARREL OR (1) 1/6 BARREL.**

*** INCLUDING 3/4" THICK PANEL (PROVIDED BY OTHERS)
DIMENSIONS MAY VARY BY $\pm 1/8$ "**

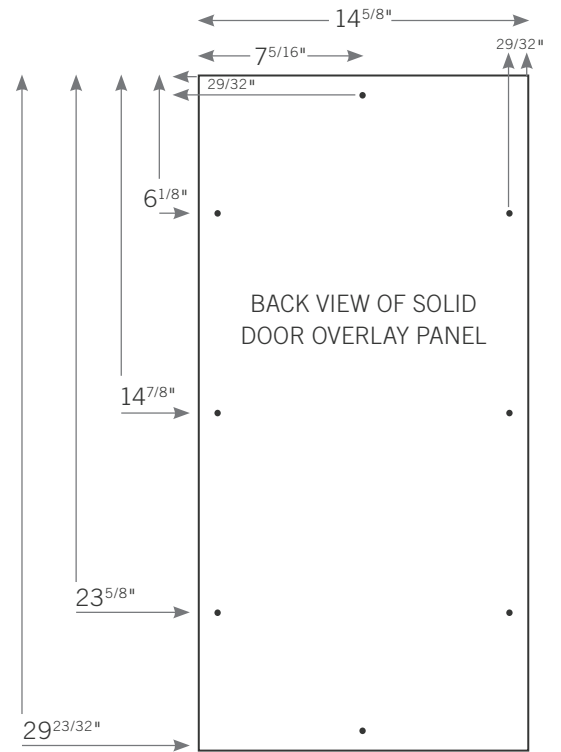
CUSTOM PANEL INSTALLATION - SOLID DOOR

SOLID DOOR	24 INCH	15 INCH
DOOR PANEL WIDTH	23 ⁵ / ₈ "	14 ⁵ / ₈ "
DOOR PANEL HEIGHT	29 ²³ / ₃₂ "	29 ²³ / ₃₂ "
DOOR PANEL DEPTH	3/4" max	3/4" max
DOOR PANEL WEIGHT	10 lb. max	10 lb. max

24 INCH



15 INCH



CUSTOM PANEL INSTALLATION - GLASS DOOR

SOLID DOOR

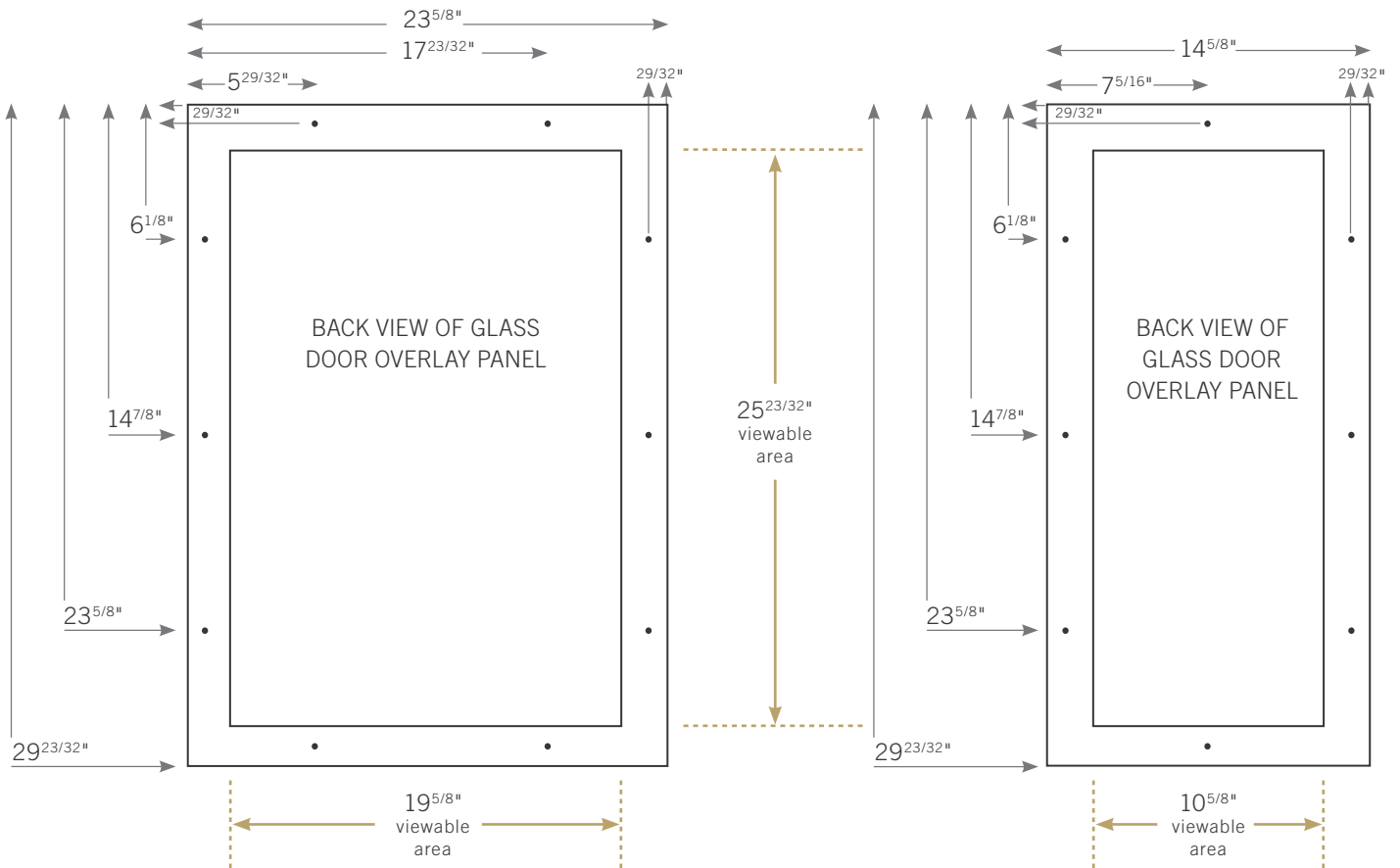
24 INCH

15 INCH

DOOR PANEL WIDTH	23 ^{5/8} "	14 ^{5/8} "
DOOR PANEL HEIGHT	29 ^{23/32} "	29 ^{23/32} "
DOOR PANEL DEPTH	3/4" max	3/4" max
DOOR PANEL WEIGHT	10 lb. max	10 lb. max
RAIL / STYLE DIMENSION	2" min	2" min

24 INCH

15 INCH

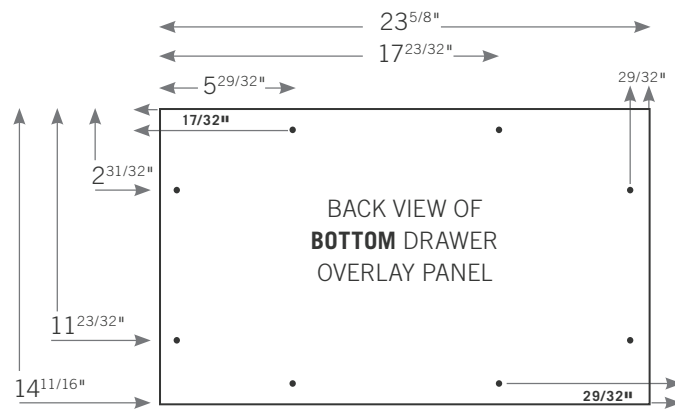
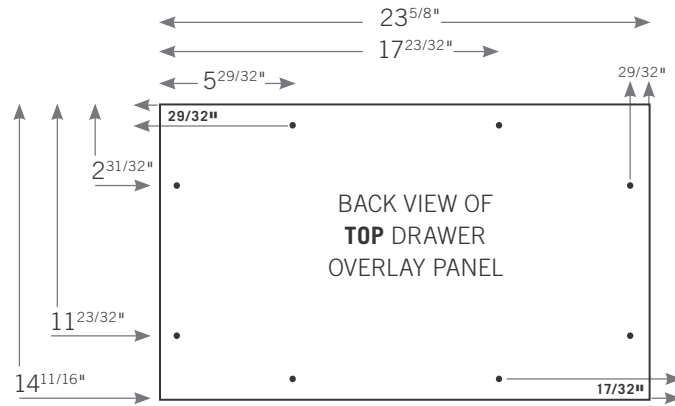


CUSTOM PANEL INSTALLATION - DRAWER

DRAWER

24 INCH

DRAWER PANEL WIDTH	23 ⁵ / ₈ "
DRAWER PANEL HEIGHT	14 ¹¹ / ₁₆ "
DRAWER PANEL DEPTH	3/4" max



SOLID (OP) AND GLASS FRAMED PANEL (OG) INSTALLATION

Required Tools:

- Phillips Screwdriver
- 3/8" Wrench
- 1/8" Drill Bit
- Ten (10) Screws #6

SEE PAGES 19-20 FOR OVERLAY PANEL DIMENSIONS BEFORE INSTALLING.

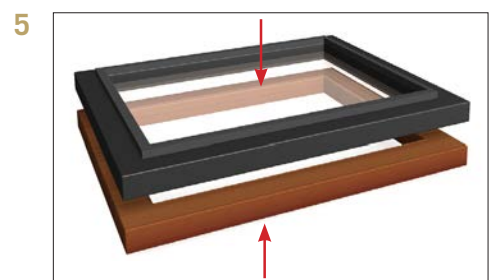
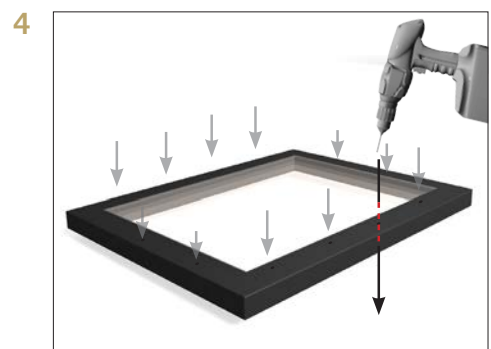
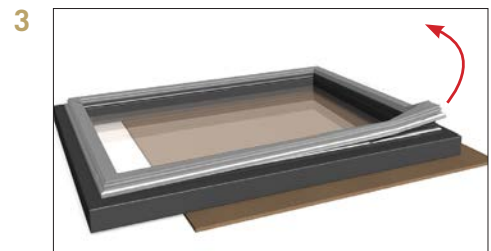
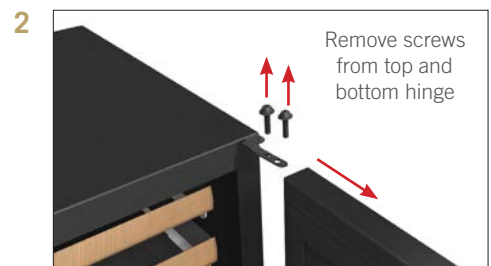
FOR EASY OVERLAY INSTALLATION REFRIGERATOR DOOR REMOVAL IS REQUIRED.

NOTE: DO NOT INSTALL A SOLID PANEL ON A GLASS DOOR. THIS MAY CAUSE MOISTURE TO FORM BEHIND THE PANEL RESULTING IN DAMAGE.

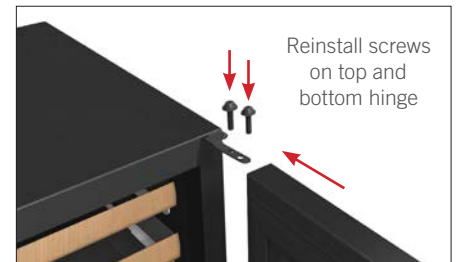
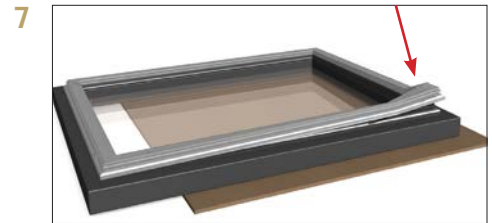
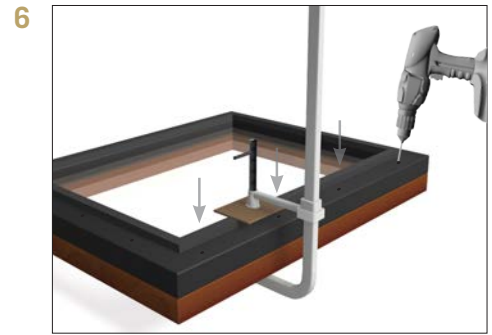
1. Open front door and pull grill forward to remove.
2. To remove door back out two bottom hinge screws with a 3/8" wrench. Secure door while removing screws. Remove two Phillips screws from the top hinge. Save all these screws for later reinstall.
3. Lay door on a safe solid surface. If retrofitting glass door model be careful not to damage glass. Lay cardboard or other safe material down before working on the door. Remove door gasket from the inside of the door frame. Place gasket to the side for later reinstall.
4. There are pre marked areas on the front of the door. Drill these pre marked holes with 1/8" drill bit. Make sure to go all the way through the door.

NOTE: IF HANDLE IS BEING USED ON OVERLAY INSTALL IT BEFORE STEP 7 (SEE IMAGE A). FOR BEST INSTALLATION, SCREWS ATTACHING HANDLE SHOULD BE RECESSED.

5. It is recommended to clamp the door front on top of the overlay before drilling pilot holes and installing anchor screws. The clamp ensures the overlay panel and door stay aligned with each other while installing. Once panel is clamped in place, pilot holes may be drilled into the panel from the rear side of the door.



- Once all holes are pre drilled use the appropriate specified screws to secure the overlay panel onto the front of the refrigerator door.
- Reinstall all components in reverse order. Door gasket snaps back into place. Overlay panel and door stay aligned with each other while installing.



SOLID OVERLAY PANEL

24 INCH

15 INCH



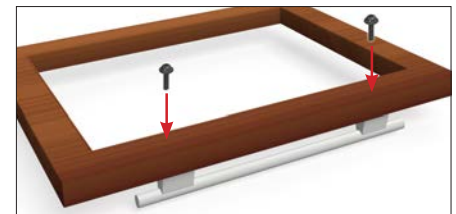
GLASS OVERLAY PANEL

24 INCH

15 INCH



IMAGE A



DRAWER OVERLAY PANEL INSTALLATION

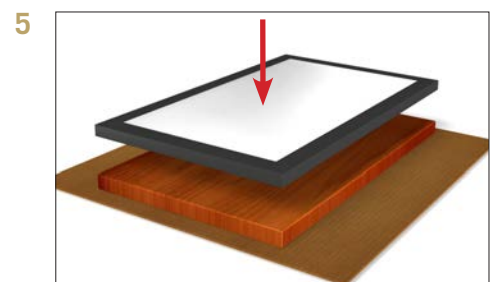
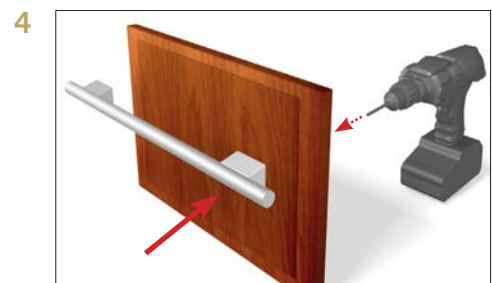
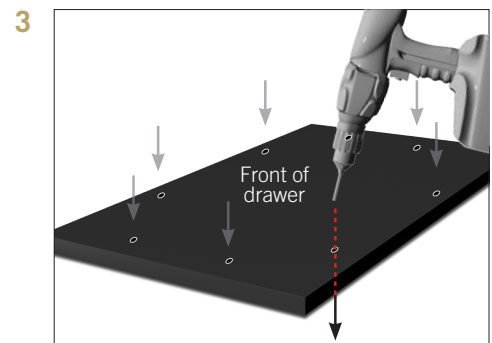
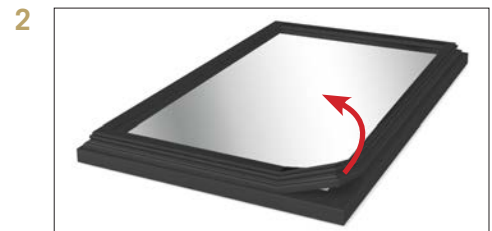
Required Tools:

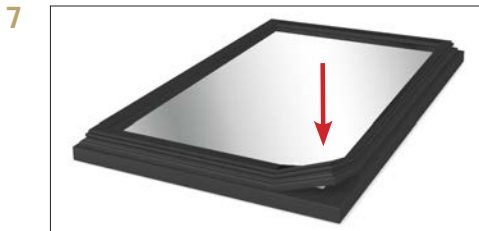
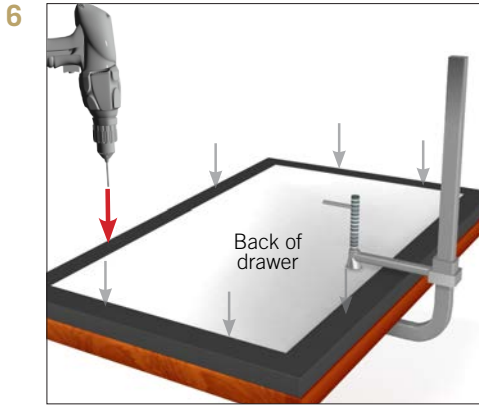
- Phillips Screwdriver
- 1/8" Drill Bit

SEE PAGE 21 FOR OVERLAY PANEL DIMENSIONS BEFORE INSTALLING.

FOR EASY OVERLAY INSTALLATION, DRAWER FRONT REMOVAL IS REQUIRED.

1. Open the drawer and detach the front drawer panel by removing four #2 Phillips screws (two on each side). (See image 1). Save all these screws for later reinstallation.
2. Remove front drawer panel gasket.
3. Using a 1/8" drill bit, drill out the eight pilot holes (each drawer) from the front of the drawer panel. Drill completely through the panel.
4. Attach drawer handle to the front of the overlay panel. Attach handle before step 5.
5. Lay overlay panel face-down on a safe solid surface. Lay drawer panel face-down on top of the overlay panel. Align panels and secure with a clamp. Lay cardboard or other soft or safe material down before working on drawer front.
6. Secure overlay panel to drawer panel using appropriate size screws.
7. Reattach drawer gasket by pressing and snapping back into place in gasket channel.
8. Reattach drawer panel front to the drawer using four screws.





DRAWER OVERLAY PANEL

24 INCH

