



BEVERAGE DISPENSER

24 Inch Single-Tap Beverage Dispenser
(Also Available in 24" Models - Single & Dual-Tap)

The True Beverage Dispenser gives you The Perfect Serve. Ideal for the beer connoisseur or for those who love to entertain, this draft beer dispenser uses our exclusive airflow technology to deliver a frosty and refreshing beverage, every time. Best of all, this versatile beer keg cooler is completely convertible to a Beverage Center, Wine Cabinet, or All Refrigerator. With commercial-grade performance and the flexibility of its compact size, the 15" Beverage Dispenser is sure to complement any space in your home.

25 Inch Single-Tap Beverage Dispenser
(Right-Hinged Shown)



EXCEPTIONAL FEATURES

Industry exclusive, 300-series stainless steel interior and exterior.

Zero-clearance hinging allows for integrated installation.

Patented TruLumina® LED lighting gently illuminates your product and allows you to choose from 14 different color options with the push of a button.

True Precision Control® with steel touch technology and readout provides digital accuracy.

Balanced, forced-air refrigeration system enables rapid product pull down.

TrueFlex® shelving system allows convertibility to a refrigerator, beverage center, or wine cabinet.

Star-K compliant.

Standard with lock.

UL rated for outdoor use.

Exclusive airflow technology provides the perfect serve every time.

Standard with draft tower, CO2 tank, CO2 regulator valve, and low profile Sankey tapper.

Unit accommodates (1) slim 1/4 barrel or (1) 1/6 barrel.

NOTE: Overlay models have 300-series stainless steel interiors and black vinyl coated steel exteriors.

OPTIONAL FINISHES

FINISH	MODEL
BEVERAGE DISPENSER	
Stainless solid door right-hinged	TUR-15BD-R-SS-B
Stainless solid door left-hinged	TUR-15BD-L-SS-B
Overlay solid right-hinged	TUR-15BD-R-OP-B
Overlay solid left-hinged	TUR-15BD-L-OP-B

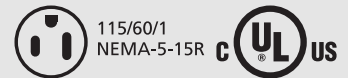
ELECTRICAL SPECIFICATIONS

Voltage: 115/60/1

Amps: 1.9

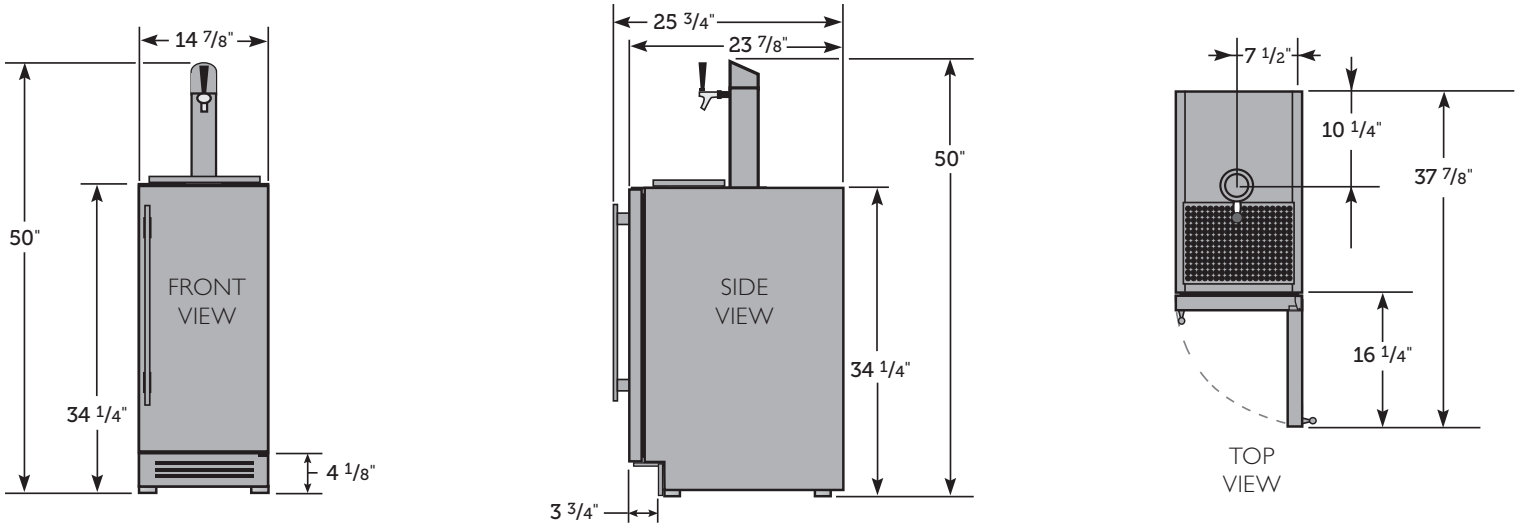
Power Cord Length: 8'

Annual kWh Consumption: TBD



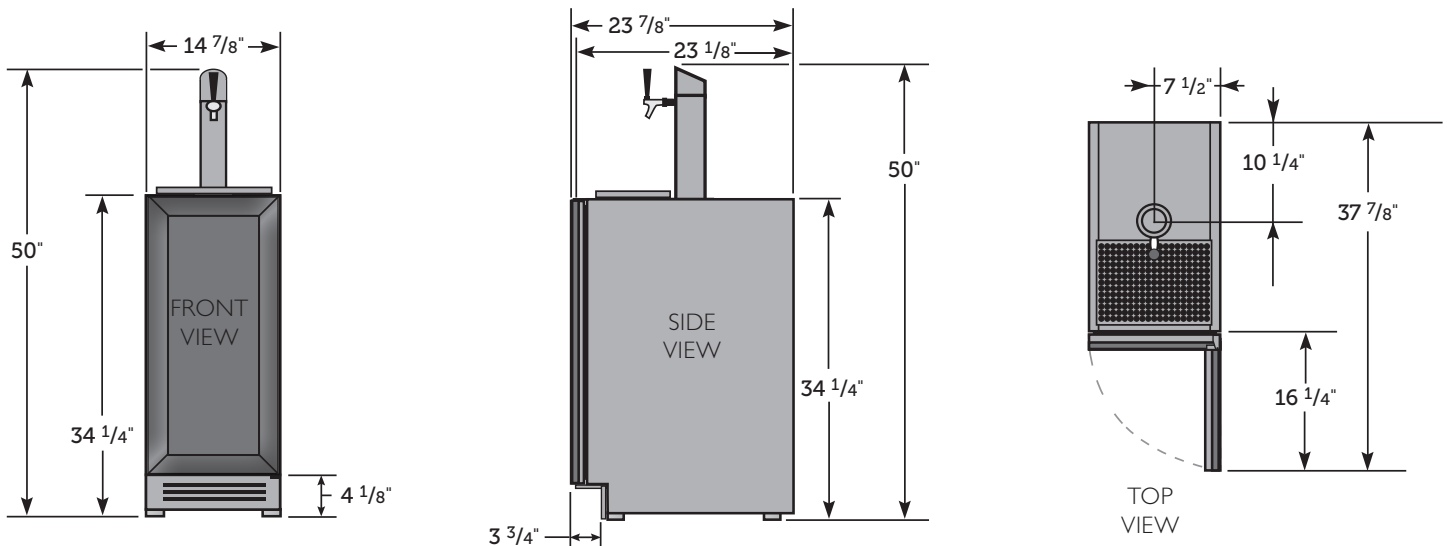
PLAN VIEWS

SINGLE TAP STAINLESS FINISH:



Dimensions may vary by $\pm 1/8"$

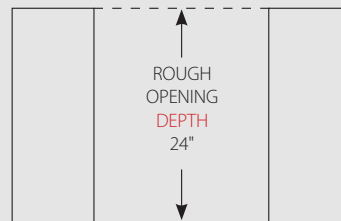
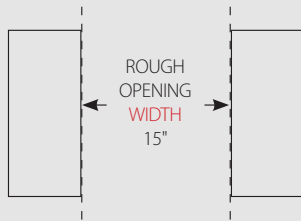
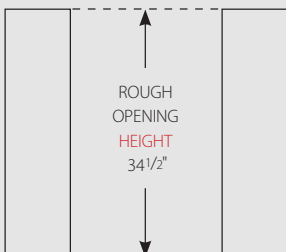
SINGLE TAP OVERLAY FINISH: Shown with 3/4" Panel



Dimensions may vary by $\pm 1/8"$

OPENING DIMENSIONS

Width	Depth†	Height
15"	24"	34 1/2"



SPECIFICATIONS

Width	14 7/8"
Depth†	23 7/8"
Height	34 1/4"
Shelves	1 Wire Floor
Opening Width	15"
Opening Depth	24"
Opening Height	34 1/2"
Crated Weight	150

†Depth does not include 1 1/8" floor door handle.
*Height does not include 15 3/4" for taper.