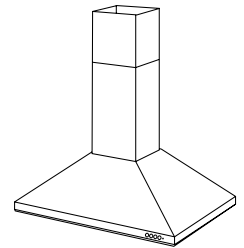


IS23 SERIES RANGE HOODS



This traditional European design has the look of seamless construction and the controls are conveniently located on the exterior edge.

FEATURES

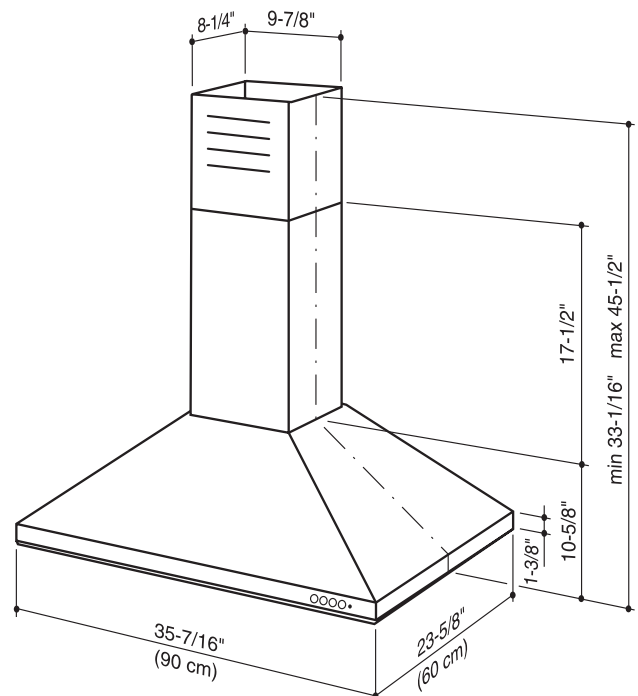
- Italian design
- Ceiling mounted island hood
- Finish: 430 Stainless Steel
- Size: 60cm x 90cm
- Telescopic flue accommodates 8' to 9' ceilings
- 6" round duct connector/backdraft damper
- Convertible to duct-free operation – use recirculating filter kit (purchase separately)
- Fluorescent lighting (2 x 9 watt, compact)
- Push button controls: lights, three speeds
- Single centrifugal blower
- Dishwasher-safe stainless steel/aluminum filters
- Heat Sentry™ - automatically turns blower to high speed when excess cooking heat is detected
- For indoor use only

OPTIONS (Not included with hood. Purchase separately.)

- Flue extension for 10' ceiling (FEXTIS23 Series - in 430 Stainless Steel)
- Recirculating filter (Model No. ROUNDFILTER)
- Replacement grease filters available
- Replacement bulb (Part No. S02300700)

SPECIFICATIONS

VOLTS	AMPS	CFM	SONES	DUCT
120	3.02	500	8.5	6" round



Mount range hood so bottom of hood is 24" minimum above cooking surface.

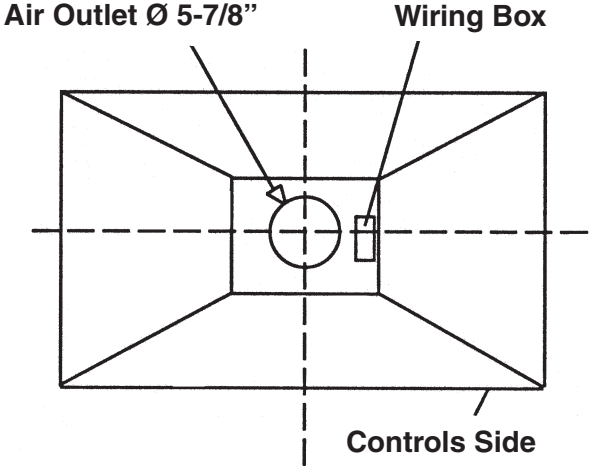


HVI-2100 CERTIFIED RATINGS comply with new testing technologies and procedures prescribed by the Home Ventilating Institute, for off-the-shelf products, as they are available to consumers. Product performance is rated at 0.1 in. static pressure, based on tests conducted in a state-of-the-art test laboratory. Sones are a measure of humanly-perceived loudness, based on laboratory measurements.

BEST Hartford, Wisconsin www.BestRangeHoods.com 800-558-1711
 BEST Drummondville, QC, Canada www.BestRangeHoods.com 866-737-7770

REFERENCE	QTY.	REMARKS	Project	
			Location	
			Architect	
			Engineer	
			Contractor	
			Submitted by	Date

IS23 SERIES WIRING



IS23 SERIES MOUNTING

