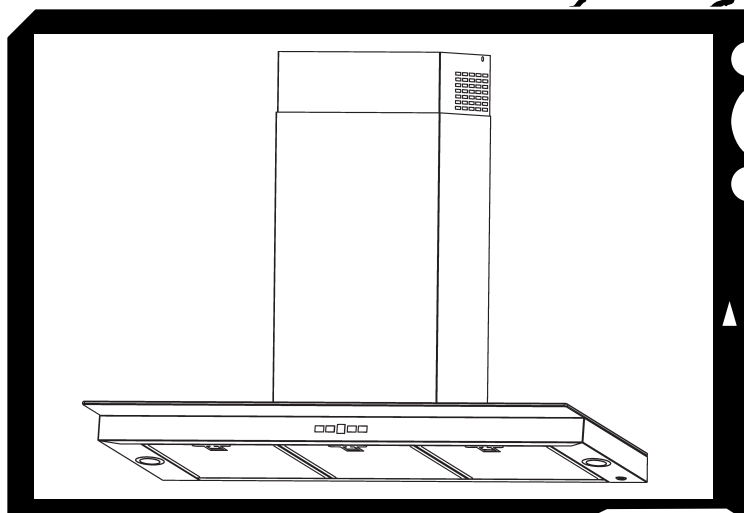


best®



Model WC44

ENGLISH.....	3
FRANÇAIS.....	25
ESPAÑOL.....	49

In USA - BEST Hartford, Wisconsin

In CANADA - BEST Drummondville, QC, Canada

REGISTER YOUR PRODUCT ONLINE AT : www.BestRangeHoods.com/register
For additional Information visit www.BestRangeHoods.com

READ AND SAVE THESE INSTRUCTIONS

⚠ INTENDED FOR DOMESTIC COOKING ONLY ⚠

⚡ ⚠ WARNING

TO REDUCE THE RISK OF FIRE, ELECTRIC SHOCK, OR INJURY TO PERSONS, OBSERVE THE FOLLOWING:

1. Use this unit only in the manner intended by the manufacturer. If you have questions, contact the manufacturer at the address or telephone number listed in the warranty.
2. Before servicing or cleaning unit, switch power off at service panel and lock service panel to prevent power from being switched on accidentally. When the service disconnecting means cannot be locked, securely fasten a prominent warning device, such as a tag, to the service panel.
3. Installation work and electrical wiring must be done by a qualified person(s) in accordance with all applicable codes and standards, including fire-rated construction codes and standards.
4. Sufficient air is needed for proper combustion and exhausting of gases through the flue (chimney) of fuel burning equipment to prevent backdrafting. Follow the heating equipment manufacturer's guidelines and safety standards such as those published by the National Fire Protection Association (NFPA), and the American Society for Heating, Refrigeration and Air Conditioning Engineers (ASHRAE), and the local code authorities.
5. When cutting or drilling into wall or ceiling, do not damage electrical wiring and other hidden utilities.
6. Ducted fans must always be vented to the outdoors.
7. Do not use this unit with any separate solid-state speed control device.
8. To reduce the risk of fire, use only steel ductwork.

GROUNDING INSTRUCTIONS

This appliance must be grounded. In the event of an electrical short circuit, grounding reduces the risk of electrical shock by providing an escape wire for the electric current. This appliance is equipped with a cord having a grounding wire with a grounding plug. The plug must be plugged into an outlet that is properly installed and grounded.

WARNING - Improper grounding can result in a risk of electric shock.

Consult a qualified electrician if the grounding instructions are not completely understood, or if doubt exists as to whether the appliance is properly grounded.

Do not use an extension cord. If the power supply cord is too short, have a qualified electrician install an outlet near the appliance.

TO REDUCE THE RISK OF A RANGE TOP GREASE FIRE:

- A. Never leave surface units unattended at high settings. Boilovers cause smoking and greasy spillovers that may ignite. Heat oils slowly on low or medium settings.
- B. Always turn hood ON when cooking at high heat or when flambeing food (i.e. Crepes Suzette, Cherries Jubilee, Peppercorn Beef Flambe').
- C. Clean ventilating fans frequently. Grease should not be allowed to accumulate on fan or filter.
- D. Use proper pan size. Always use cookware appropriate for the size of the surface element.

WARNING

TO REDUCE THE RISK OF INJURY TO PERSONS IN THE EVENT OF A RANGE TOP GREASE FIRE, OBSERVE THE FOLLOWING:*

1. **SMOTHER FLAMES** with a close-fitting lid, cookie sheet, or metal tray, then turn off the burner. **BE CAREFUL TO PREVENT BURNS.** If the flames do not go out immediately, **EVACUATE AND CALL THE FIRE DEPARTMENT.**
 2. **NEVER PICK UP A FLAMING PAN** - You may be burned.
 3. **DO NOT USE WATER**, including wet dishcloths or towels - violent steam explosion will result.
 4. Use an extinguisher **ONLY** if:
 - A. You know you have a Class ABC extinguisher and you already know how to operate it.
 - B. The fire is small and contained in the area where it started.
 - C. The fire department is being called.
 - D. You can fight the fire with your back to an exit.
- * Based on "Kitchen Fire Safety Tips" published by NFPA.

CAUTION

1. For indoor use only.
2. To reduce risk of fire and to properly exhaust air, be sure to duct air outside. Do not vent exhaust air into spaces within walls or ceilings or into attics, crawl spaces, or garages.
3. Take care when using cleaning agents or detergents.
4. Avoid using food products that produce flames under the Range Hood.
5. For general ventilating use only. Do not use to exhaust hazardous or explosive materials and vapors.
6. To avoid motor bearing damage and noisy and/or unbalanced impellers, keep drywall spray, construction dust, etc. off power unit.
7. Your hood motor has a thermal overload which will automatically shut off the motor if it becomes overheated. The motor will restart when it cools down. If the motor continues to shut off and restart, have the hood serviced.
8. For best capture of cooking impurities, the bottom of the hood should be a minimum of 24" and a maximum of 30" above the cooking surface.
9. Two installers are recommended because of the large size and weight of this hood.
10. This product is equipped with a thermostat which may start blower automatically. To reduce the risk of injury and to prevent power from being switched on accidentally, switch power off at service panel and lock or tag service panel.
11. Please read specification label on product for further information and requirements.
12. **EXTERNAL BLOWER MODELS ONLY:** To reduce risk of fire and electric shock, install this range hood only with Best Exterior Blower Models EB6, EB9, EB12 or EB15 or Best In-Line Blower Models ILB3, ILB6, ILB9 or ILB11. Other blowers cannot be substituted. (Blower sold separately)

LED LAMPS

The hood is provided with LED lamps which require no maintenance.

CLEANING AND MAINTENANCE

Proper maintenance of the Range Hood will assure proper performance of the unit.

Motor

The motor is permanently lubricated and never needs oiling. If the motor bearings make excessive or unusual noise, replace the motor with the exact service motor. The impeller should also be replaced.

Grease Filter

The grease filters should be cleaned frequently. Use a warm detergent solution. Grease filters are dishwasher safe.

Clean all-metal filters in the dishwasher using a non-phosphate detergent. Discoloration of the filter may occur if using phosphate detergents, or as a result of local water conditions - but this will not affect filter performance. This discoloration is not covered by the warranty. See "INSTALL FILTERS" section for removal and installation instructions.

Non-ducted Recirculation Filter

The non-ducted recirculation filter should be changed every 6 months. Replace more often if your cooking style generates extra grease, such as frying and wok cooking. See "INSTALL FILTERS" section for removal and installation instructions.

Stainless Steel Cleaning

DO:

- Regularly wash with clean cloth or rag soaked with warm water and mild soap or liquid dish detergent.
- Always clean in the direction of original polish lines.
- Always rinse well with clear water (2 or 3 times) after cleaning. Wipe dry completely.
- You may also use a specialized household stainless steel cleaner.

DON'T:

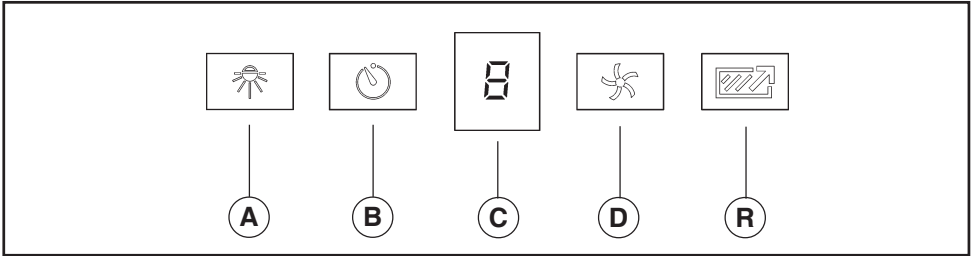
- Use any steel or stainless steel wool or any other scrapers to remove stubborn dirt.
- Use any harsh or abrasive cleansers.
- Allow dirt to accumulate.
- Let plaster dust or any other construction residues reach the hood. During construction/renovation, cover the range hood to make sure no dust sticks to the stainless steel surface.

Avoid: When choosing a detergent

- Any cleaners that contain bleach will attack stainless steel
- Any products containing: chloride, fluoride, iodide, bromide will deteriorate surfaces rapidly.
- Any combustible products used for cleaning such as acetone, alcohol, ether, benzol, etc., are highly explosive and should never be used close to a range.

OPERATION

Controls (Fig.1)



Button A = Lights on/off.

Button B = Activates/Deactivates the delay-off feature. Press once (when blower is on) to activate the delay-off feature. The selected speed level that is displayed in display "C" will blink when this feature is activated. After 10 minutes, the blower will then turn off. Delay can be deactivated at any time by pressing the button again.

Display C = Indicates the selected speed of the blower 1, 2, 3, or b for boost. "-" indicates the need to clean the grease filter or replace the non-duct filter.

Button D = Turns on the blower. Hood will turn on to the last speed selected. The blower speed will change each time the button is pushed (from 1 to "b"). To turn the blower off, press and hold button for approximately 2 seconds.

Button R = Filter clean indicator reset. Press and hold for 2 seconds to reset the indicator. Note: The "-" must be displayed when pressing the reset button.

Auto Shut-Off Feature

If the blower and/or the lights are on continuously for 10 hours without any user interaction with the controls, the hood will automatically shut off. Press any control button to re-activate the hood.

HEAT SENTRY™

Your hood is equipped with a HEAT SENTRY™ thermostat. This thermostat is a device that will turn on or speed up the blower if it senses excessive heat above the cooking surface.

1) If blower is OFF - it turns blower ON to HIGH speed.

2) If blower is ON at a lower speed setting - it turns blower up to HIGH speed.

When the temperature level drops to normal, the blower will return to its original setting.

WARNING

The HEAT SENTRY thermostat can start the blower even if the hood is turned OFF. When this occurs, it is impossible to turn the blower OFF with its switch. If you must stop the blower, do it from the main electrical panel.

PREPARE THE HOOD

Unpack hood and check contents.

You should receive:

- 1 - Hood
- 1 - Decorative Flues
- 1 - Parts Bag (B080810993) containing:
 - 2 - Mounting Brackets
 - 1 - Damper Kit
 - 1 - Flue Mounting Bracket Assembly
 - 8 - Mounting Screws (4.8 x 38mm Pan Head)
 - 4 - Mounting Screws (3.9 x 9.5mm Pan Head)
 - 4 - Mounting Screws (3.9 x 6mm Flat Head)
 - 8 - Drywall Anchors
 - 2 - Flat Washer
- 1 - Installation Instructions

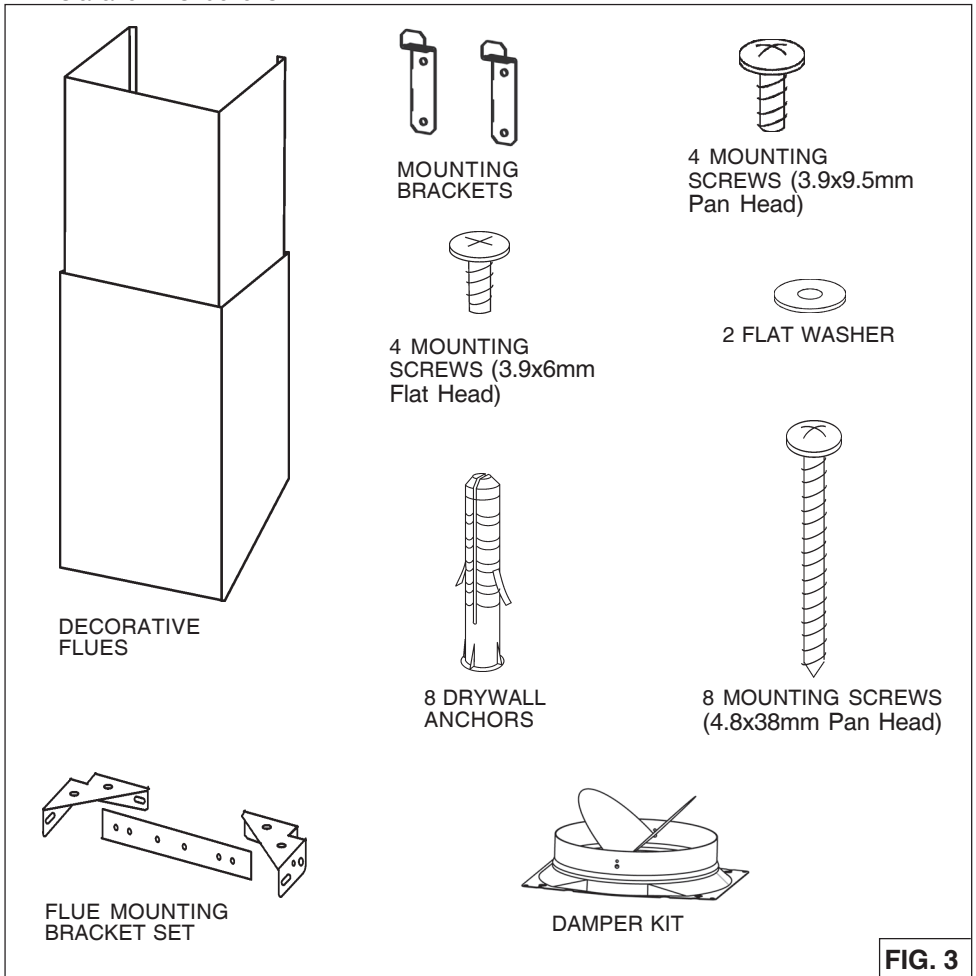


FIG. 3

EXTERIOR AND IN-LINE BLOWER SELECTION WC44E Series

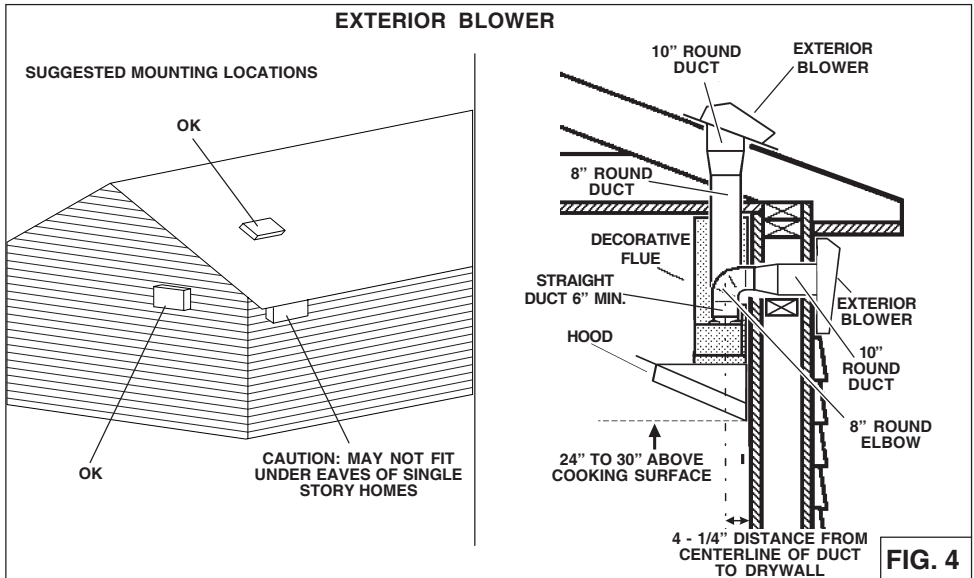
CAUTION: To reduce risk of fire and electric shock, install this range hood only with Best Exterior Blower Models EB6, EB9, EB12 or EB15, and Best In-Line Blower Models ILB3, ILB6, ILB9 or ILB11. Other blowers cannot be substituted.

The blower must be **UL** listed for Canadian and U.S. use, and evaluated for use with solid state speed control, rated 120V, 60 Hz, 6.0 A max.

INSTALL THE DUCTWORK WC44E Series

NOTE: To reduce the risk of fire, use only metal ductwork.

1. Choose the location where the Exterior Blower or In-Line Blower will be mounted. See illustrations below for mounting location suggestions and restrictions.
2. A straight, short duct run will allow the hood to perform most efficiently.
3. Long duct runs, elbows and transitions will reduce the performance of the hood. Use as few of them as possible. Larger ducting may be required for best performance with long duct runs.
4. After the Exterior or In-Line Blower has been installed, connect round metal ductwork and work back towards the hood location. Use duct tape to seal joints between ductwork sections.



IN-LINE BLOWER

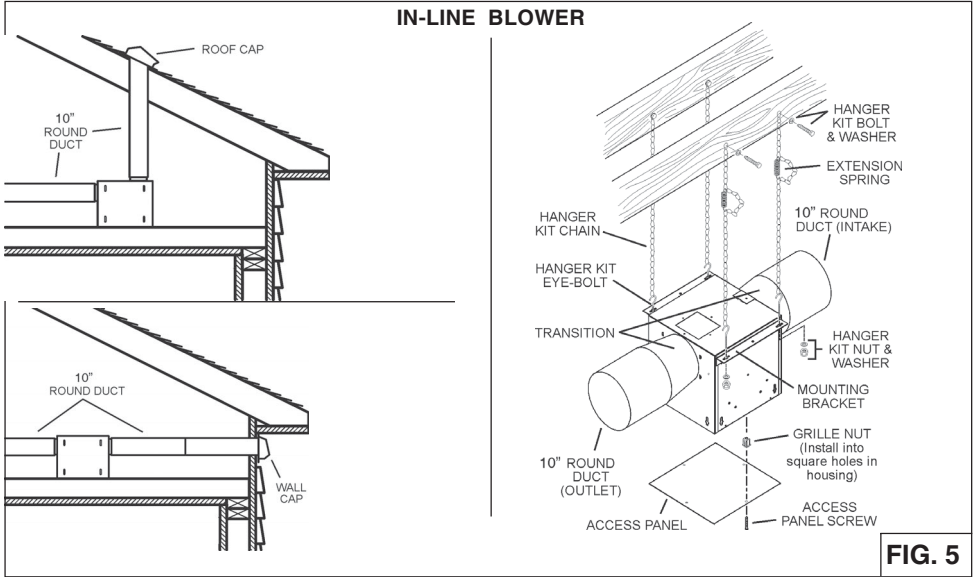
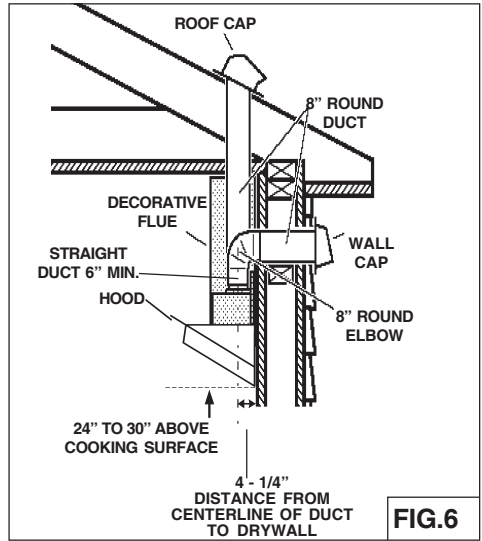


FIG. 5

INSTALL THE DUCTWORK

NOTE: To reduce the risk of fire, use only metal ductwork.

1. Decide where the ductwork will run between the hood and the outside (Fig.6).
2. A straight, short duct run will allow the hood to perform most efficiently.
3. Long duct runs, elbows, and transitions will reduce the performance of the hood. Use as few of them as possible. Larger ducting may be required for best performance with longer duct runs.
4. Install a roof or wall cap. Connect round metal ductwork to cap and work back towards hood location. Use duct tape to seal the joints between ductwork sections.

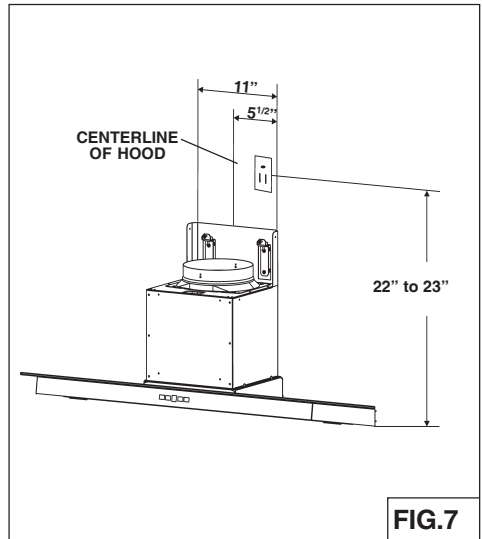


INSTALL ELECTRICAL

DUCTED and NON-DUCTED HOODS

⚠ WARNING: Electrical wiring must be done by a qualified person(s) in accordance with all applicable codes and standards. This range hood must be properly grounded. Turn off electrical power at service entrance before wiring.

1. Plan where the hood will be located above the cook top. Refer to the "INSTALL MOUNTING BRACKET" section for hood mounting height options.
2. Install a standard 2" x 4" wall outlet box and 3-blade 125 volt, 15 Amp grounded receptacle (Fig.7).
3. Mount the center of the wall outlet 22" to 23" above the bottom of the hood.
4. Locate the box and the receptacle within boundary shown and off center of the ductwork (to allow for power cord plug and flue clearance).



EXTERNAL BLOWER ELECTRICAL CONNECTIONS

Blower connection at hood:

1. Run 2-wire plus ground power cable from the Exterior or In-Line Blower to the hood wiring box marked "motor connection". (Fig.8).
2. Remove the cover from the wiring box and remove one knockout.
3. Feed 6" of cable through the knockout opening and secure the cable to the wiring box with an appropriate connector.
4. Make electrical connections at the hood. Connect white-to-white, **red-to-black** and green-to-ground.
5. Replace the wiring box cover and screws, make sure wires are not pinched between the cover and box.

Exterior or In-line blower connection:

1. Make electrical connections at the exterior or in-line blower (see instructions provided with the exterior or in-line blower).

Power connection at hood:

1. Plug the power cord into the electrical wall receptacle.

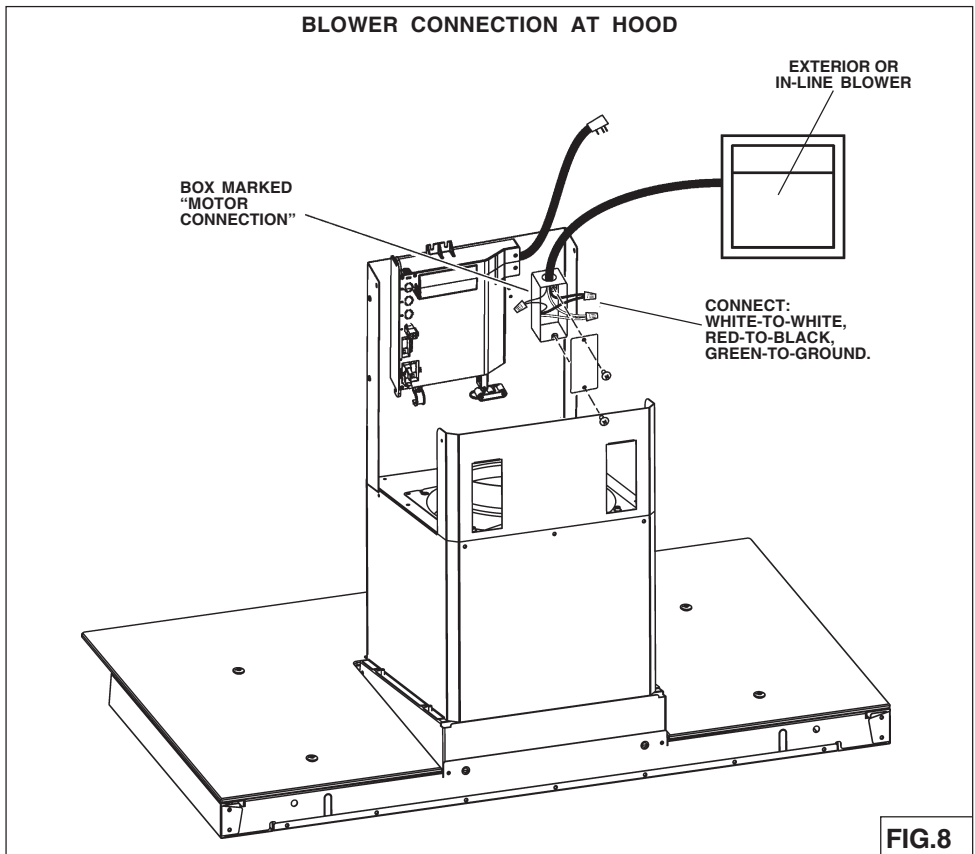


FIG.8

INSTALL MOUNTING BRACKETS

Remove the plastic protective film from all exterior surfaces, decorative flues and filters, prior to final installation

DUCTED AND NON-DUCTED HOODS

1. Construct wood wall framing that is flush with interior surface of wall studs (Fig.9).

Make sure:

- a) the framing is centered over installation location.
- b) the height of the framing will allow the **mounting brackets** to be secured to the framing within the dimensions shown.

2. After wall surface is finished, secure the mounting brackets to framing with (4) 4.8 x 38 mm mounting screws. See chart below for mounting brackets location.

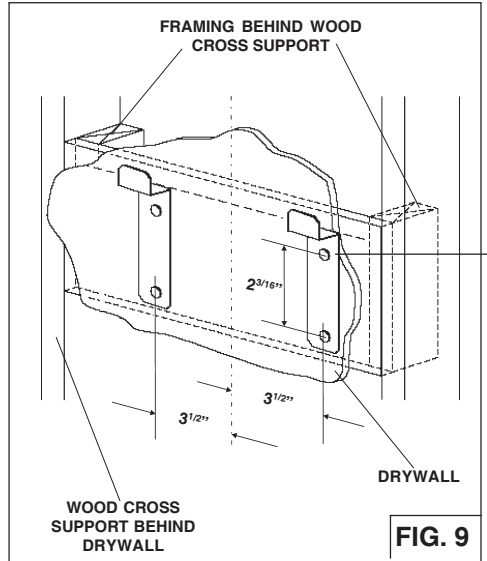


FIG. 9

Ceiling Height	Duct Method	Hood Distance Above 36" High Cook Top (in.)						
		24"	25"	26"	27"	28"	29"	30"
		Mounting Bracket Centr Hole Location Above 36" High Cook Top						
		40 13/16"	41 13/16"	42 13/16"	43 13/16"	44 13/16"	45 13/16"	46 13/16"
8 FEET	DUCTED	X	X	X	X	X	X	X
	NON-DUCTED	X	X	X	X	X	X	X
9 FEET	DUCTED	X*	X*	X*	X*	X*	X*	X*
	NON-DUCTED	X	X	X	X	X	X	X
10 FEET	DUCTED	X	X	X	X	X	X	X
	NON-DUCTED	X	X	X	X	X	X	X
11 FEET	DUCTED	X	X	X	X	X	X	X
	NON-DUCTED					X	X	X

* Possible installation height - however, Non-Duct Filter Slots will be exposed.

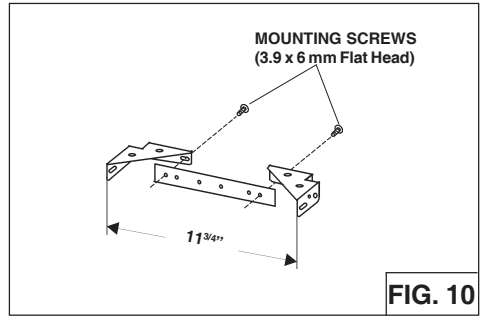
Notes:

- a. Minimum hood distance above cook top must not be less than 24". A maximum of 30" above cook top is highly recommended for best capture of cooking impurities. Distances over 30" are at the installer and the users discretion; and if ceiling height and flue length permit.
- b. Requires optional 10'/11' flue extension, ducted model AEWC345IQSB or non-ducted model AEWC345IQSBN.

INSTALL FLUE MOUNTING BRACKET

DUCTED AND NON-DUCTED

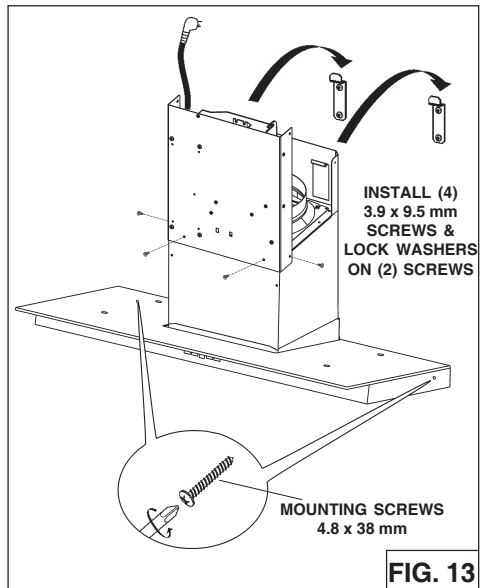
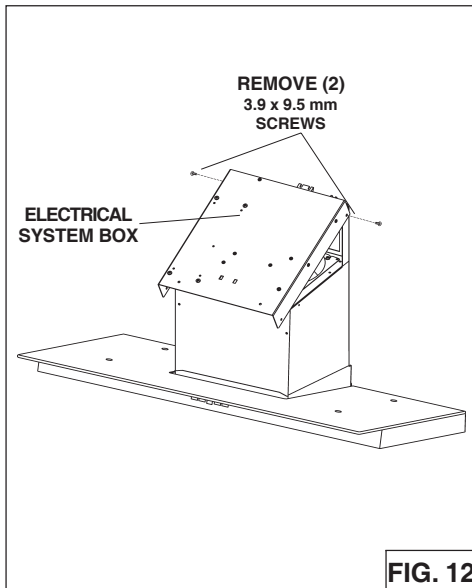
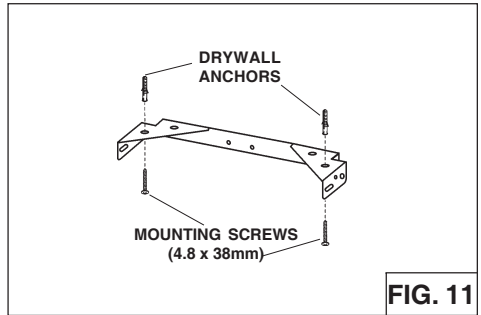
1. Assemble the flue mounting bracket, adjusting outside width as shown. (Fig.10)
2. **Carefully** center the mounting bracket directly over the range hood location.
3. Secure the bracket assembly to the ceiling using (2) 4.8 x 38mm mounting screws and drywall anchors (Fig.11). Make sure the bracket is pushed into the corner, tight against the wall if necessary, and centered over the hood. Complete the installation.



INSTALL THE HOOD

DUCTED AND NON-DUCTED INSTALLATION

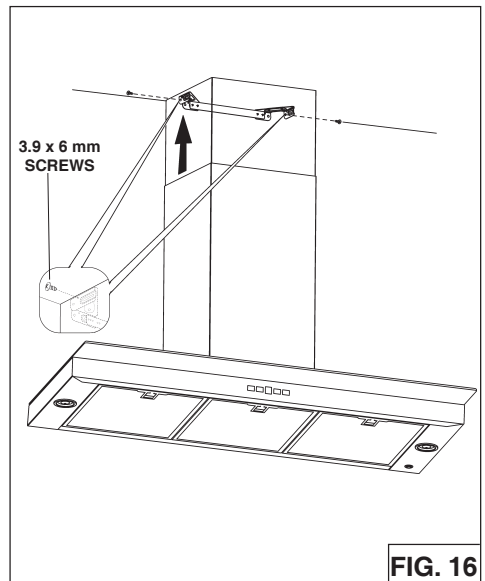
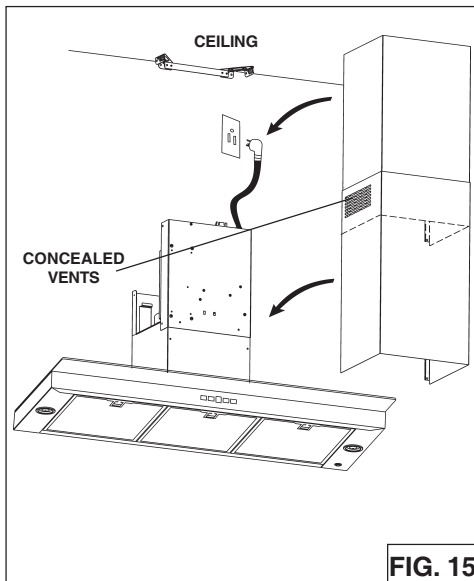
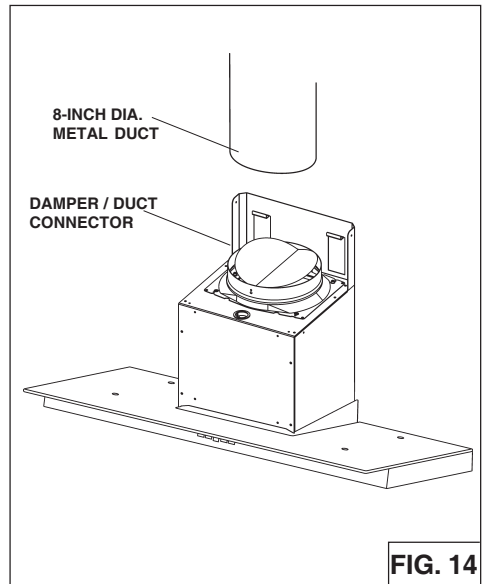
1. Remove the electrical system box from chimney frame by removing (2) 3.9 x 9.5 mm screws. Fig. 12.
2. Attach electrical system box to frame using (2) 3.9 x 9.5 mm screws removed in Step 1 and (2) 3.9 x 9.5 mm screws and (2) lock washers from hardware bag.
3. Install hood onto the wall mounting brackets. Fig. 13. Adjust leveling screws on mounting brackets to level hood with floor.
4. Mark and install (2) additional screws as shown. Use drywall anchors only if necessary.



DUCTED INSTALLATION ONLY

Note: Rooms with 10 or 11 foot ceiling require flue extension model AEW345IQSB, available from your local dealer. Discard the upper flue supplied with the range hood and replace it with the longer flue extension.

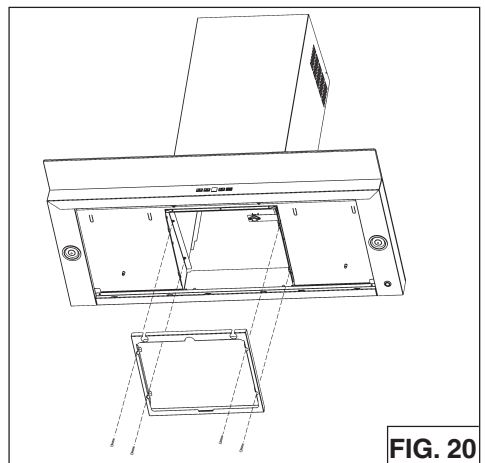
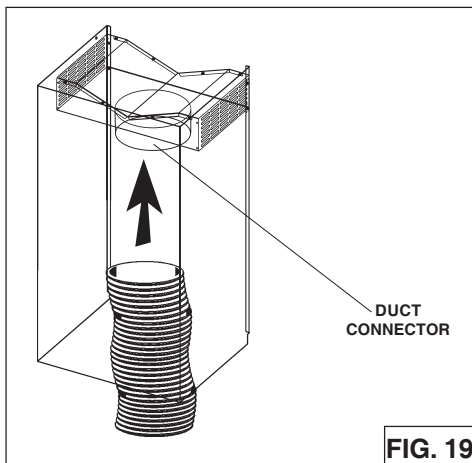
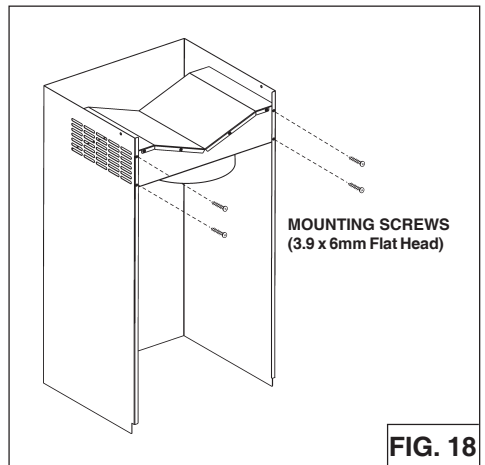
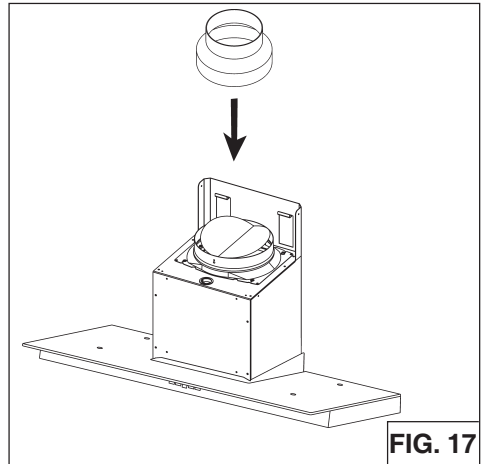
1. Remove protective tape from blower outlet before installing damper to hood with (4) screws supplied and tape joint with aluminum duct tape (Fig.14).
2. Run 8-inch diameter metal ductwork to the outside location.
3. Install an appropriate wall or roof cap with damper to exhaust the air to the outside.
4. Tape all duct joints with aluminum duct tape.
5. Plug power cord into wall outlet (Fig.15).
6. Install upper and lower decorative flues onto the range hood.
 - Vents are concealed on 8-foot ceilings.
 - Vents may be exposed on 9-foot ceilings.
7. Secure upper flue to flue mounting bracket with (2) 3.9 x 6 mm screws (Fig.16).



NON-DUCTED INSTALLATION ONLY

Note:

- a. Purchase Model ANKWC345 Non-ducted Recirculation Kit from your local dealer.
 - b. Rooms with 10 or 11 foot ceilings require flue extension model AEWC345IQSBN, available from your local dealer. Discard the upper flue supplied with the range hood and replace it with the longer flue extension.
1. Install discharge collar supplied with the range hood (Fig.17).
 2. Attach the 6"-to-8" adapter to blower discharge and tape joint with aluminum duct tape (Fig.17).
 3. Install the plenum to the upper decorative flue using (4) 3.4 x 15 mm screws provided as shown (Fig.18).
 4. Attach 6-inch expandable ducting to the plenum and tape joint with aluminum duct tape (Fig.19).
 5. Attach non-duct filter frame using (4) 3.9 x 6 mm screws (Fig.20).



6. Temporarily secure the upper and lower flue together with duct tape as shown (Fig.21).
7. Lift the flue into position above the hood. Secure upper flue to the flue mounting bracket with (2) 3.9 x 6 mm screws (Fig.22).
8. Stretch expandable duct, attach it to the 6"-to-8" adapter and tape duct joints (Fig.23).
9. Plug power cord into wall outlet.10. Remove tape from flues and lower into position on the hood (Fig.24).

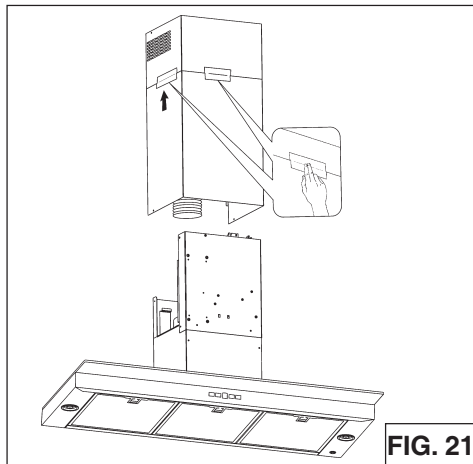


FIG. 21

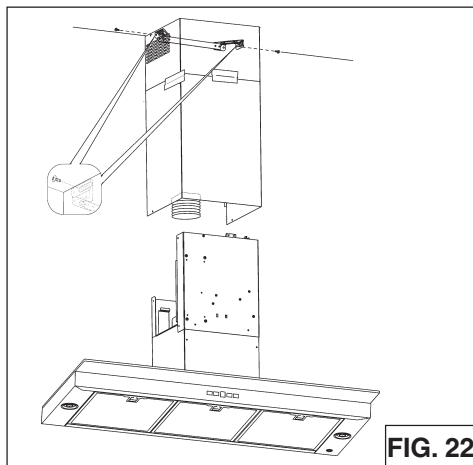


FIG. 22

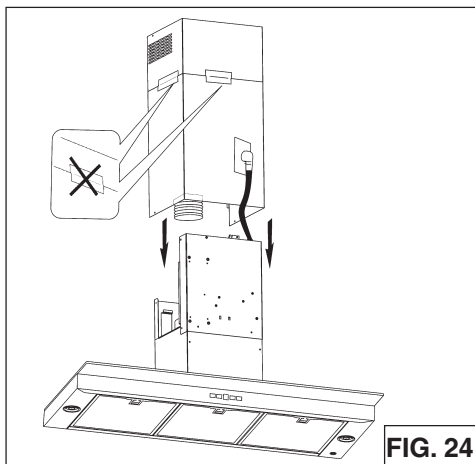


FIG. 24

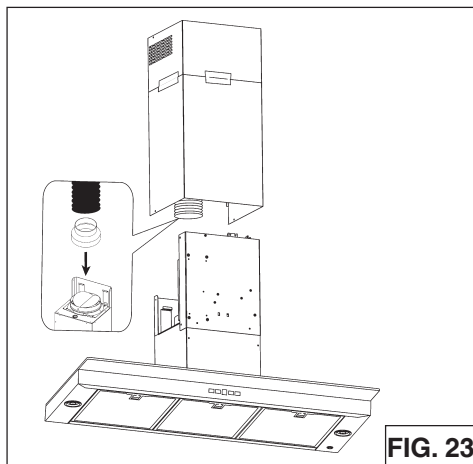


FIG. 23

INSTALL FILTERS

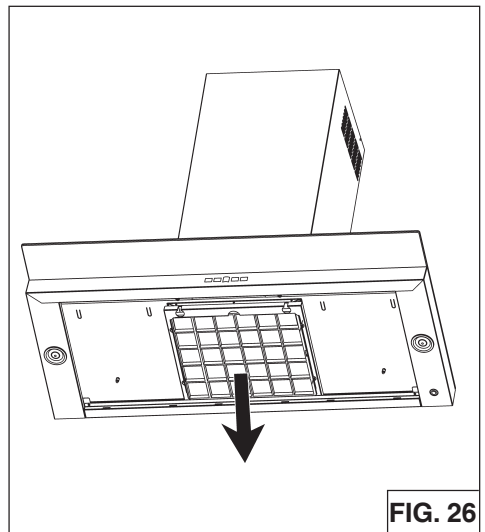
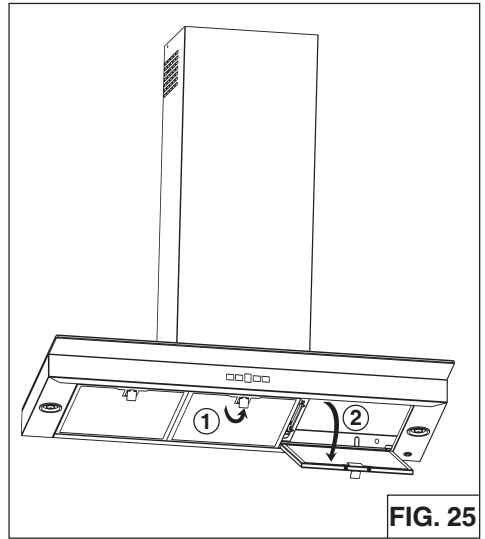
DUCTED AND NON-DUCTED HOODS

NOTE: prior to use, remove protective film from the filter frame.

1. To remove the GREASE filter, pull down on latch tab to disengage the filter from the hood. Tilt the filter downward and remove (Fig.25).
2. To install the GREASE filter, align rear filter tabs with slots in the hood. Pull latch tab down. Push filter into place and release tab. Make sure the filter is securely engaged after installation.

NON-DUCTED HOODS ONLY

1. To remove the CHARCOAL filter, grip and push filter tab toward rear of hood. Pull the filter down to disengage the rear filter tabs (Fig.26).
2. To install the CHARCOAL filter, align filter in rectangular opening. Push filter against springs in rear of hood and press into place. Make sure the filter is securely engaged after assembly.
3. Install GREASE filter after charcoal filter is installed.
4. The charcoal filter replacement model is AFCWC345.



CALIBRATE IQ BLOWER SYSTEM™ Ducted Internal Blower Hoods Only

After the hood is installed and wired, engage the calibration process (our *Guaranteed Performance System Technology*) to ensure full-rated airflow is being delivered. Prior to calibration, ensure that all filters, light bulbs and duct system components are installed and sealed.

CALIBRATION PROCESS

Hold the calibration button for 3 seconds; calibration button will light up and stay on for up to 13 minutes. The blower will start and begin the calibration process. When calibration is complete, one of two things will occur:

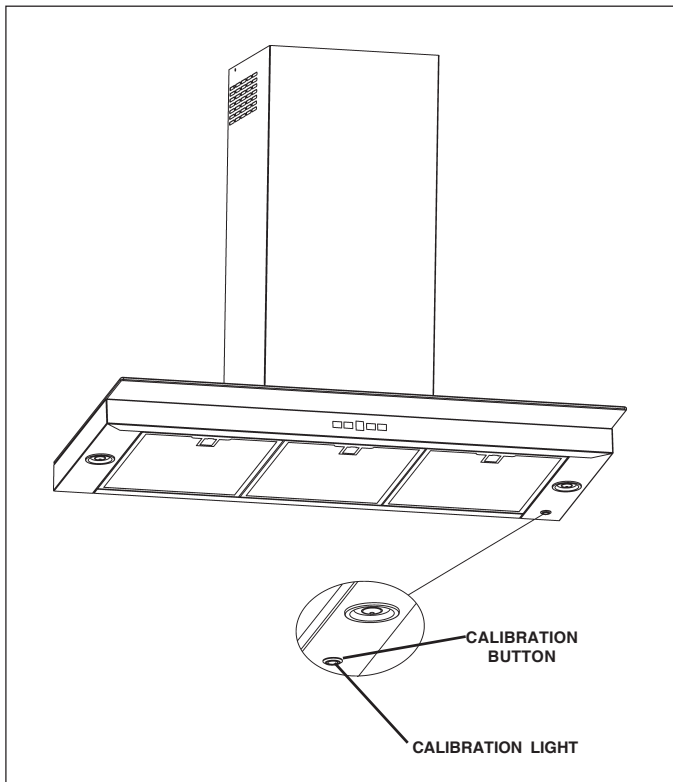
A. The blower turns off and calibration button light turns off = Successful calibration.

B. The blower turns off and calibration button light blinks continuously = Too much restriction in the ductwork is preventing the IQ Blower System™ from achieving the rated airflow. The blower is automatically set to maximum intensity.

Note: Common items that cause restrictions: restricted damper flap (backdraft damper, wall cap, roof cap), too many elbows, duct size less than 80% of hood outlet, poor transition, use of flex ducting and/or crushed ducting.

Two options are available:

1. Press the calibration button to accept airflow as is. The IQ Blower System™ is now configured to its highest possible setting. The blinking calibration light goes out.
2. Correct duct restriction and repeat the calibration process.
 - a. To clear the original calibration data, hold calibration button for 10 seconds. The light will blink 3 times to confirm and the blower configuration will go back to default settings.
 - b. Repeat calibration process.



WC44E Programming Mode Procedure

WC44E Programming Mode Procedure

The range hood is designed to work with several different blowers models. Before using the hood, the control must first be programmed to your blower model, in order to achieve proper operating speed:

1. Find the SETUP number that corresponds to the blower model that is installed with your range hood.
2. There must be power to the hood but the blower and lights must be turned off.
3. Push simultaneously LIGHT SWITCH and RESET SWITCH for 5 sec: the display shows a "P" blinking three times and then shows alternately the "P" and the setup selected.
4. Select the desired setup with BLOWER SWITCH (3→2→1) or RESET SWITCH (1→2→3).
5. Push TIMER SWITCH to confirm.
6. The display ("P") blinks two times (2 sec on - 0,5sec off) recording the selected setup.

Description of "Speed Level"

Setup 1 is for motors with a rating up to 3.0 amp

Setup 2 is for motors with a rating between 3.1 amp and 5.0 amp

Setup 3 is for motors with a rating greater than 5.1 amp

	SETUP 1	SETUP 2	SETUP 3
Setup 1 is for motors with a rating up to 3.0 amp	EB6	EB12	EB9
Setup 2 is for motors with a rating between 3.1 amp and 5.0 amp	ILB3	EB15	ILB11
Setup 3 is for motors with a rating greater than 5.1 amp	ILB6	ILB9	

WARRANTY

ONE YEAR LIMITED WARRANTY FOR BEST PRODUCTS

Broan-NuTone LLC (Broan-NuTone) warrants to the original consumer purchaser of Best products that such products will be free from defects in materials or workmanship for a period of one year from the date of original purchase. THERE ARE NO OTHER WARRANTIES, EXPRESS OR IMPLIED, INCLUDING, BUT NOT LIMITED TO, IMPLIED WARRANTIES OR MERCHANTABILITY OR FITNESS FOR A PARTICULAR PURPOSE.

During this one-year period, Broan-NuTone will, at its option, repair or replace, without charge, any product or part which is found to be defective under normal use and service.

THIS WARRANTY DOES NOT EXTEND TO FLUORESCENT LAMP STARTERS, TUBES, HALOGEN AND INCANDESCENT BULBS, FUSE, FILTERS, DUCTS, ROOF CAPS, WALL CAPS AND OTHER ACCESSORIES FOR DUCTING. This warranty does not cover (a) normal maintenance and service or (b) any products or parts which have been subject to misuse, negligence, accident, improper maintenance or repair (other than by Broan-NuTone), faulty installation or installation contrary to recommended installation instructions.

The duration of any implied warranty is limited to the one-year period as specified for the express warranty. Some states do not allow limitation on how long an implied warranty lasts, so the above limitation may not apply to you.

BROAN-NUTONE'S OBLIGATION TO REPAIR OR REPLACE, AT BROAN-NUTONE'S OPTION, SHALL BE THE PURCHASER'S SOLE AND EXCLUSIVE REMEDY UNDER THIS WARRANTY. BROAN-NUTONE SHALL NOT BE LIABLE FOR INCIDENTAL, CONSEQUENTIAL OR SPECIAL DAMAGES ARISING OUT OF OR IN CONNECTION WITH PRODUCT USE OR PERFORMANCE.

Some states do not allow the exclusion or limitation of incidental or consequential damages, so the above limitation or exclusion may not apply to you.

This warranty gives you specific legal rights, and you may also have other rights, which vary from state to state. This warranty supersedes all prior warranties.

To qualify for warranty service, you must (a) notify Broan-NuTone at the address stated below or telephone number stated below, (b) give the model number and part identification and (c) describe the nature of any defect in the product or part. At the time of requesting warranty service, you must present evidence of the original purchase date.

In USA - Best®, 926 W. State Street, Hartford, WI 53027 (800-558-1711)

In Canada - Best®, 550 Lemire Blvd., Drummondville, QC J2C 7W9 (866-737-7770)

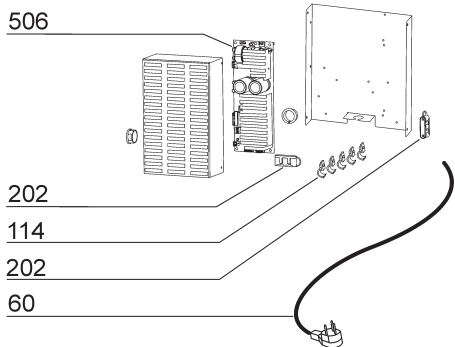
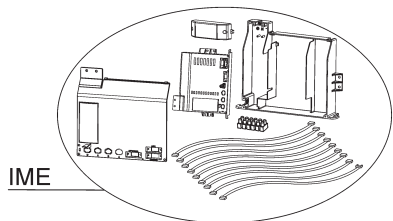
www.BestRangeHoods.com

SERVICE PARTS

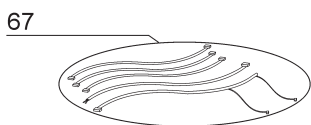
MODEL WC44IQ

KEY NO.	PART NO.	DESCRIPTION
9	B08087958	Grease Filters
37	B02300804	Heat Sentry
60	B02300249	Feeder Cable
67	B06102615	Wires Assembly
76	B02005322	Glass
114	B032904990	Wire Clamp
202	B03292290	Wire Clamp
439	B02320034	Grommet
474	B08093413	Led Lamp
485	B08016375	Decorative Flue Assembly
506	97019430	BLDC Driver
507	B06102584	Calibration Button Assembly
*	B080810993	Fitting Set (Includes Key No. 120)
AQI	B06102632	Switch Box Assembly
ARU	B08081849	Duct Connector Assembly 8"
IME	B06145222	Electrical Installation Assembly
CAS	B06002259	Blower Assembly
ANKWC345	B08999175	Non-Ducted Kit (Includes Key No. 58, 86, 122, 503)
58	B03294170	Outlet Reduction
64	B08093477	Non-Ducted Filter Frame
86	B03292300	Outlet Flange
122	B08093478	Non-Duct Plenum
503	B02011557	Expandable Duct
AFCWC345	B08999176	Non-Duct Filter

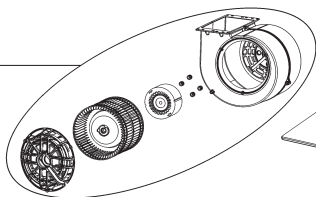
* Not shown assembled.



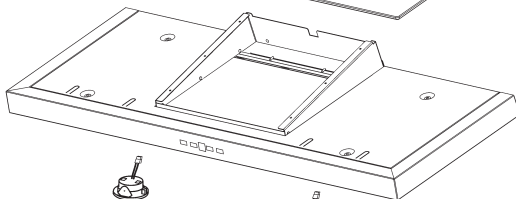
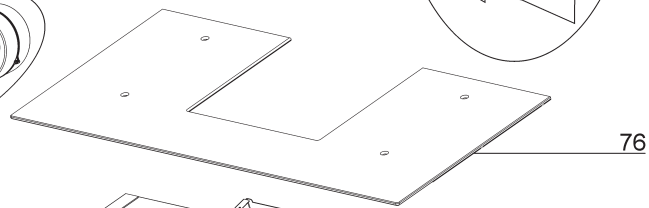
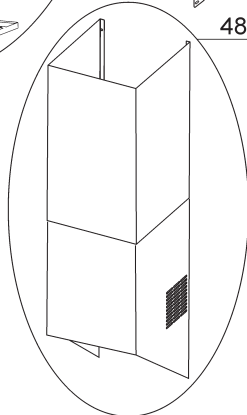
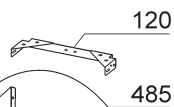
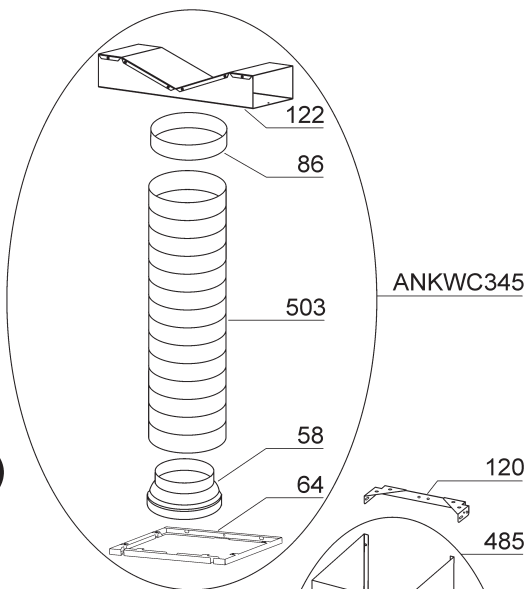
ARU



CAS



AQI

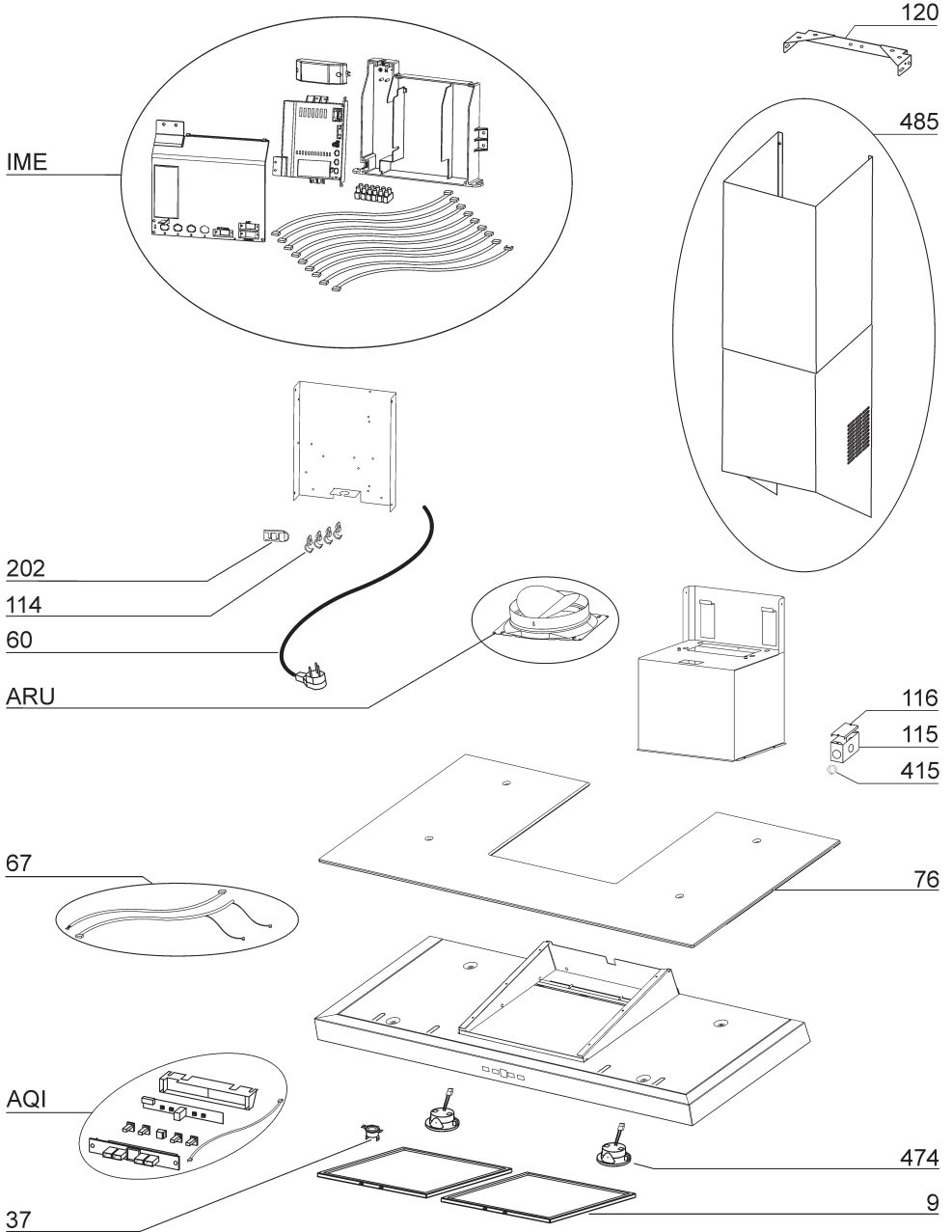


SERVICE PARTS

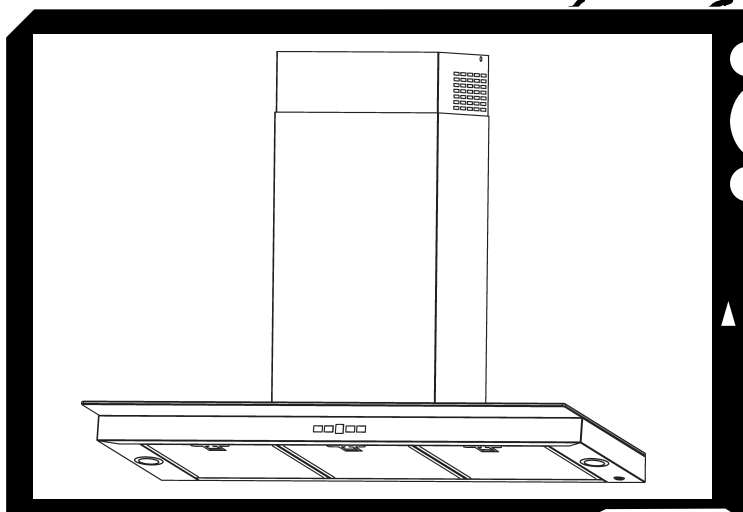
MODEL WC44E

KEY NO.	PART NO.	DESCRIPTION
9	B08087958	Grease Filters
37	B02300804	Heat Sentry
60	B02300249	Feeder Cable
67	B06102616	Wires Assembly
76	B02005322	Glass
114	B032904990	Wire Clamp
115	BE3350233	Wiring Box
116	BE3334252	Wiring Box Cover
202	B03292290	Wire Clamp
415	B03292288	Fairlead
474	B08093413	Led Lamp
485	B08016375	Decorative Flue Assembly
*	B080810993	Fitting Set (Includes Key No. 120)
AQI	B06102633	Switch Box Assembly
ARU	B08081849	Duct Connector Assembly 8"
IME	B06145223	Electrical Installation Assembly

* Not shown assembled.



best®



Modèle WC44

ENGLISH.....	3
FRANÇAIS.....	25
ESPAÑOL.....	49

IAux États-Unis - BEST Hartford, Wisconsin
Au CANADA - BEST Drummondville, QC, Canada

ENREGISTREZ VOTRE PRODUIT EN LIGNE À : www.BestRangeHoods.com/register
Pour de plus amples informations, visitez www.BestRangeHoods.com

LIRE CES DIRECTIVES ET LES CONSERVER

 **CONÇUE POUR LES CUISINES PRIVÉES UNIQUEMENT** 

  **AVERTISSEMENTS**

POUR RÉDUIRE LES RISQUES D'INCENDIE, D'ÉLECTROCUTION OU DE BLESSURES PHYSIQUES, RESPECTEZ LES INSTRUCTIONS CI-DESSOUS:

1. Utilisez cet appareil uniquement de la manière prévue par le fabricant. Si vous avez des questions, contactez le fabricant à l'adresse ou au numéro de téléphone indiqués dans la garantie.
2. Avant d'effectuer l'entretien ou le nettoyage de l'appareil, mettez-le hors tension sur le panneau de service et verrouillez ce dernier pour éviter que l'appareil soit mis sous tension par inadvertance. S'il n'est pas possible de verrouiller le dispositif de déconnexion, apposez un avertissement bien visible (par exemple une étiquette) sur le panneau de service.
3. L'installation et le raccordement électrique doivent être effectués par du personnel qualifié conformément à toutes les réglementations et normes en vigueur, y compris celles concernant les constructions cotées pour leur résistance au feu.
4. Afin d'éviter un refoulement lors de l'utilisation d'équipements à combustible, une quantité d'air suffisante est nécessaire pour assurer une combustion et un échappement adéquats des gaz à travers le conduit (la cheminée). Suivez les consignes du fabricant de l'équipement chauffant et les normes de sécurité publiées, entre autres, par l'Association nationale de protection contre l'incendie (NFPA) et l'American Society for Heating, Refrigeration and Air Conditioning Engineers (ASHRAE), ainsi que les réglementations locales.
5. Quand vous effectuez une découpe ou un forage dans un mur ou un plafond, veillez à ne pas endommager des câblages électriques ou d'autres équipements non visibles.
6. Les soufflantes canalisées doivent toujours être dirigées vers l'extérieur.
7. N'utilisez pas cet appareil avec un dispositif de commande de vitesse transistorisée séparé.
8. Pour réduire les risques d'incendie, utilisez uniquement des canalisations en métal.

INSTRUCTIONS DE MISE À LA TERRE

Cet appareil doit être mis à la terre. En cas de court-circuit électrique, la mise à la terre réduit le risque d'électrocution grâce à un fil permettant au courant électrique de s'échapper. Cet appareil est doté d'un cordon ayant un fil de terre, ainsi que d'une fiche de mise à la terre. La fiche doit être branchée dans une prise bien installée et mise à la terre.

AVERTISSEMENT - Une mise à la terre inappropriée peut donner lieu à un risque d'électrocution.

Consultez un électricien qualifié si vous ne comprenez pas parfaitement les instructions de mise à la terre ou si vous n'êtes pas certain(e) que l'appareil est mis à la terre comme il se doit.

N'utilisez pas de rallonge. Si le cordon est trop court, demandez à un électricien d'installer une prise près de l'appareil.

POUR RÉDUIRE LE RISQUE D'UN FEU DE FRITURE SUR LA TABLE DE CUISSON

- A. Ne laissez jamais les appareils de surface sans surveillance quand ils sont sur un réglage élevé. Les débordements peuvent provoquer de la fumée et des déversements gras risquant de prendre feu. Chauffez les huiles lentement sur un réglage bas ou moyen.
- B. **ALLUMEZ** toujours la hotte quand vous cuisinez à une chaleur élevée ou quand vous flambez des aliments (p. ex. des crêpes Suzette, des cerises jubilé ou du boeuf au poivre flambé).
- C. Nettoyez souvent les ventilateurs d'aération. Évitez que de la graisse s'accumule sur le ventilateur ou le filtre.
- D. Utilisez des poêles de la taille appropriée. Utilisez toujours des ustensiles de cuisine adaptés à la taille de l'élément de surface.

AVERTISSEMENTS

POUR RÉDUIRE LE RISQUE DE BLESSURES PHYSIQUES EN CAS DE FEU DE FRITURE SUR LA TABLE DE CUSSION, VEUILLEZ PROCÉDER COMME SUIT :*

1. ÉTOUFFEZ LES FLAMMES avec un couvercle hermétique, une plaque à biscuits ou un plateau en métal, puis éteignez le brûleur. SOYEZ PRUDENT(E) AFIN D'ÉVITER LES BRÛLURES. Si les flammes ne s'éteignent pas immédiatement, ÉVACUEZ LE LIEU ET APPELEZ LE SERVICE DES POMPIERS.
 2. NE SAISISSEZ JAMAIS UNE POÊLE ENFLAMMÉE, vous risquez de vous brûler.
 3. N'UTILISEZ JAMAIS D'EAU ni de torchons ou serviettes mouillé(e)s : cela donnerait lieu à une violente explosion de vapeur.
 4. Utilisez un extincteur **UNIQUEMENT** si :
 - A. Vous savez qu'il s'agit d'un extincteur de Classe ABC et savez déjà comment vous en servir.
 - B. L'incendie est de petite taille et confiné à l'endroit où il a commencé.
 - C. Le service des pompiers a été averti.
 - D. Vous pouvez éteindre l'incendie en ayant une sortie derrière vous.
- * Basé sur « Kitchen Fire Safety Tips », publié par la NFPA.

ATTENTION

1. Uniquement pour l'utilisation intérieure.
2. Pour réduire le risque d'incendie et obtenir un échappement d'air adéquat, veillez à bien canaliser l'air vers l'extérieur. Ne ventilez pas l'air d'échappement vers des espaces confinés, des plafonds, des combles, des vides sanitaires ou des garages.
3. Soyez prudent(e) quand vous utilisez des agents de nettoyage ou des détergents.
4. Évitez d'utiliser sous la hotte de cuisine des denrées alimentaires produisant des flammes.
5. À utiliser uniquement pour la ventilation générale. N'utilisez pas la hotte pour l'échappement de matériaux ou de vapeurs comportant un danger ou un risque d'explosion.
6. Pour éviter que le roulement moteur s'endommage et que des hélices deviennent bruyantes ou déséquilibrées, faites en sorte que le bloc d'alimentation n'entre pas en contact avec un atomiseur pour cloisons sèches, de la poussière de construction, etc.
7. Le moteur de la hotte est doté d'un rupteur thermique qui éteint automatiquement le moteur en cas de surchauffe. Le moteur redémarrera après avoir refroidi. Si le moteur s'éteint et se rallume constamment, faites réparer la hotte.
8. Pour mieux capturer les impuretés de cuisson, la partie inférieure de la hotte doit se trouver au minimum à 61 cm (24") et au maximum à 91 cm (36") au-dessus de la surface de cuisson. Consultez la section « Installation du support de montage » pour connaître les restrictions de montage.
9. Étant donné la taille et le poids de la hotte, il est conseillé d'avoir recours à deux personnes pour la monter.
10. Ce produit est doté d'un thermostat qui peut activer la soufflante automatiquement. Pour éviter les risques de blessure et l'allumage accidentel de la hotte, mettez-la hors tension sur le panneau de service et verrouillez ce dernier ou fixez-y une étiquette d'avertissement.
11. Pour en savoir plus et connaître les exigences sur le produit, veuillez lire l'étiquette des spécifications.
12. **MODÈLES VENTILATEUR EXTERNE SEULEMENT:** Pour réduire les risques d'incendie ou de choc électrique, installez cette hotte uniquement avec les modèles de ventilateur extérieur Best EB6, EB9, EB12 ou EB15, ou les modèles de ventilateur intermédiaire Best ILB3, ILB6, ILB9 ou ILB11. Aucun autre ventilateur ne peut être substitué (Ventilateur vendu séparément).

AMPOULES DEL

Cette hotte comprend des ampoules LED qui n'exigent aucun entretien.

NETTOYAGE ET ENTRETIEN

Pour assurer les performances de l'appareil, entretenez-le de manière appropriée.

Moteur

Le moteur est lubrifié en permanence et aucun graissage n'est nécessaire. Si les roulements du moteur font un bruit excessif ou inhabituel, remplacez le moteur par une pièce de rechange identique.

Remplacez aussi les hélices.

Filtre à graisse

Le filtre à graisse doit être nettoyé souvent. Vous pouvez utiliser une solution détergente chaude ou le mettre dans le lave-vaisselle.

Nettoyez tous les filtres en métal dans le lave-vaisselle avec un détergent sans phosphate. Si vous utilisez un détergent phosphaté ou selon le type d'eau, il est possible que le filtre se décolore, mais cela n'affectera aucunement ses performances. Cette décoloration n'est pas couverte par la garantie. Consultez la section « INSTALLATION DES FILTRES » pour connaître les instructions de retrait et d'installation.

Filtre de recirculation non canalisé

Le filtre de recirculation non canalisé doit être changé tous les 6 mois. Si votre style de cuisine engendre beaucoup de graisse, par exemple si vous faites souvent de la friture ou utilisez un wok, remplacez-le plus souvent. Consultez la section « INSTALLATION DES FILTRES » pour connaître les instructions de retrait et d'installation.

Nettoyage de l'acier inoxydable

À FAIRE :

- nettoyez régulièrement l'acier inoxydable avec un chiffon ou un torchon enduit d'eau chaude et de savon doux ou de liquide vaisselle.
- nettoyez toujours dans le sens des lignes de polissage d'origine.
- rincez toujours à l'eau claire (2 ou 3 fois) après le nettoyage. Essuyez complètement.
- vous pouvez aussi utiliser un nettoyant spécial pour acier inoxydable d'électroménagers.

À NE PAS FAIRE :

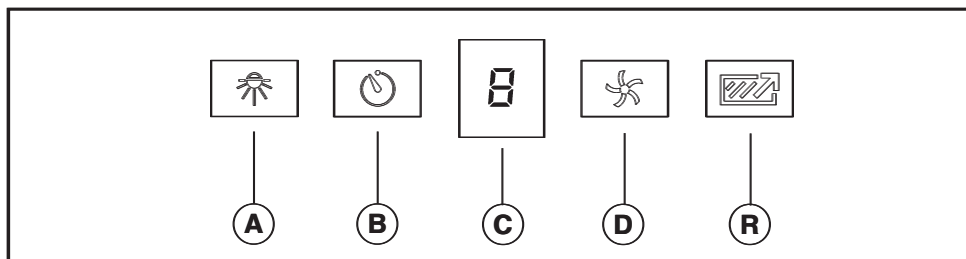
- n'utilisez pas de laine d'acier inoxydable ou d'autres raclours pour éliminer la saleté difficile à éliminer.
- n'utilisez pas de produits de nettoyage durs ou abrasifs.
- ne laissez pas la poussière s'accumuler.
- maintenez la hotte à l'abri de la poussière de plâtre ou d'autres résidus de construction. Pendant la construction/les rénovations, couvrez la hotte afin d'éviter qu'aucune poussière n'adhère aux surfaces en acier inoxydable.

À éviter quand vous choisissez un détergent :

- tous les produits de nettoyage contenant de l'eau de Javel attaquent l'acier inoxydable.
- tous les produits contenant du chlore, du fluor, de l'iode ou du bromure provoquent une détérioration rapide des surfaces.
- tous les produits combustibles utilisés pour le nettoyage, tels que l'acétone, l'alcool, l'éther, le benzène sont extrêmement explosifs et ne doivent jamais être employés à proximité d'une table de cuisson.

FUNCTIONNEMENT

COMMANDES (Fig.1)



Bouton A = tourne les lumières / basse / haute / arrêt.

Bouton B = active / désactive la fonction retard-off. Appuyez une fois (lorsque la soufflerie est activée) pour activer la fonction retard-off. Le niveau de vitesse sélectionnée qui est affichée dans l'affichage "C" clignote lorsque cette fonction est activée. Après 10 minutes, le ventilateur s'éteindra. Le retard peut être désactivé à tout moment en appuyant sur le bouton.

Display C = indique la vitesse sélectionnée du ventilateur 1, 2, 3, ou b pour boost. «-» Indique la nécessité de nettoyer le filtre à graisse ou remplacez le filtre non-conduit.

Bouton D = Active le ventilateur. Hotte se met en marche à la dernière vitesse sélectionnée. La vitesse du ventilateur change chaque fois que le bouton est enfoncé (de 1 à "b"). Pour éteindre le ventilateur, appuyez sur le bouton pendant environ 2 secondes continuellement.

Bouton R = Nettoyer le filtre réinitialisation de l'indicateur. Appuyez et maintenez enfoncé pendant 2 secondes pour réinitialiser l'indicateur.

HEAT SENTRY™

La hotte est équipée d'un thermostat HEAT SENTRY™. Ce dispositif active ou accélère la soufflante s'il détecte une chaleur excessive au-dessus de la surface de cuisson. 1) Si la soufflante est ARRÊTÉE, il l'ALLUME sur la vitesse HAUTE. 2) Si la soufflante est ALLUMÉE à une vitesse basse, il la fait passer à la vitesse HAUTE. Quand la température redevient normale, la soufflante retourne au réglage d'origine.

AVERTISSEMENT

Le thermostat HEAT SENTRY peut activer la soufflante même si la hotte est éteinte. Dans ce cas, il est impossible de désactiver la soufflante avec le commutateur d'ARRÊT. Si vous devez ARRÊTER la soufflante, faites-le depuis le panneau électrique principal.

PRÉPARATION DE LA HOTTE

Déballer la hotte et vérifier le contenu de l'emballage.

Il doit comprendre :

1 - Hotte

1 - De carneau décoratif

1 - Sac de pièces (B080810993) contenant:

2 - Brides de montage

1 - Collier d'évacuation

1 - Support de montage carneau

8 - Vis de montage (à tête cylindrique de 4,8 x 38 mm)

4 - Vis de montage (à tête cylindrique de 3,9 x 9,5 mm)

4 - Vis de montage (à tête plate de 3,9 x 6 mm)

8 - Ancrages pour cloison sèche

2 - Rondelles

1 - Instructions d'installation

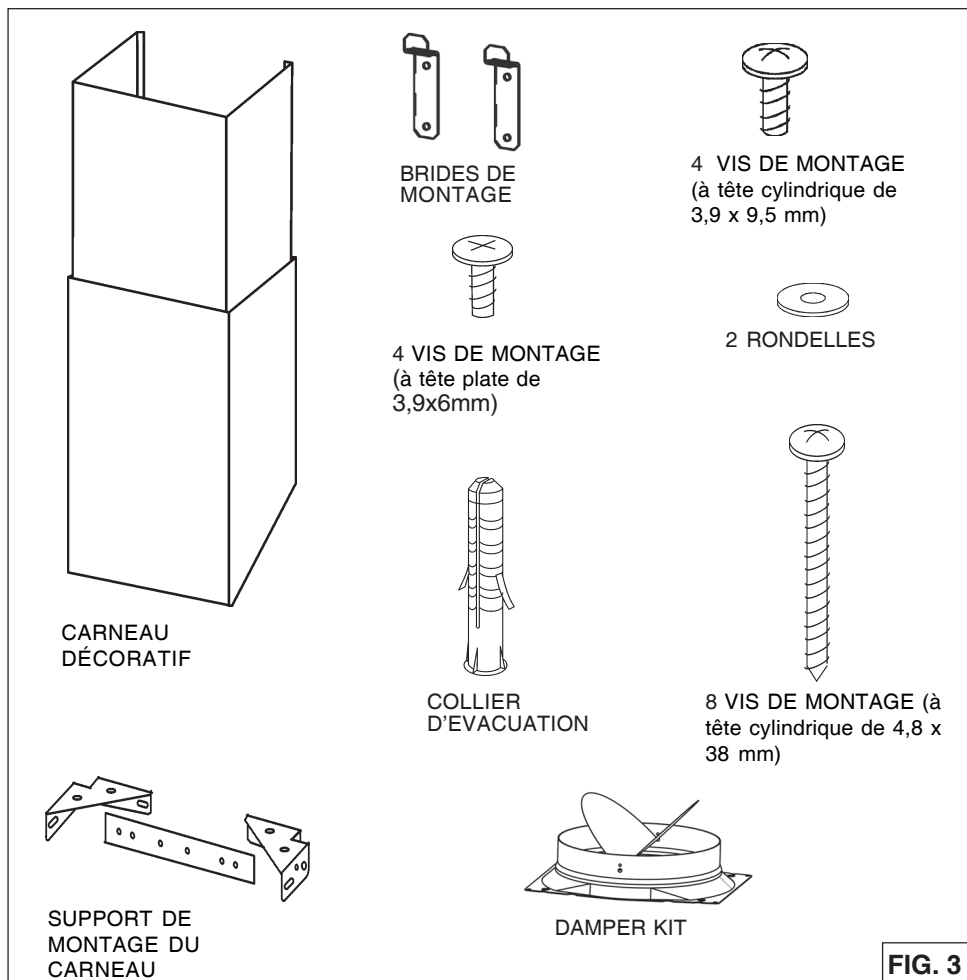


FIG. 3

VENTILATEUR IN-LINE

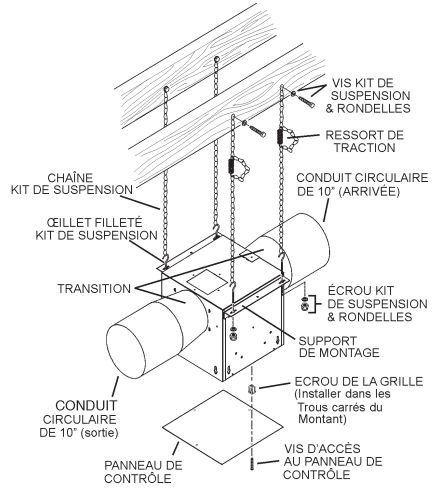
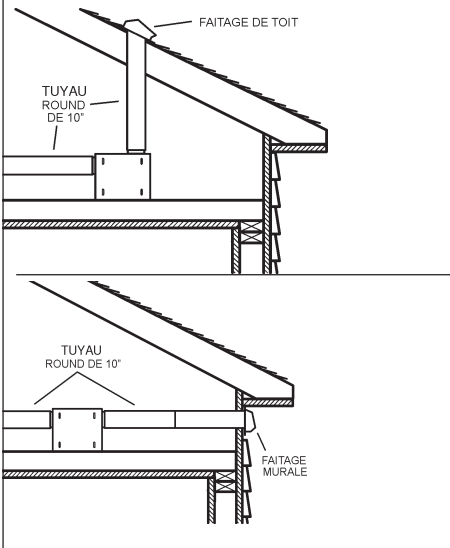
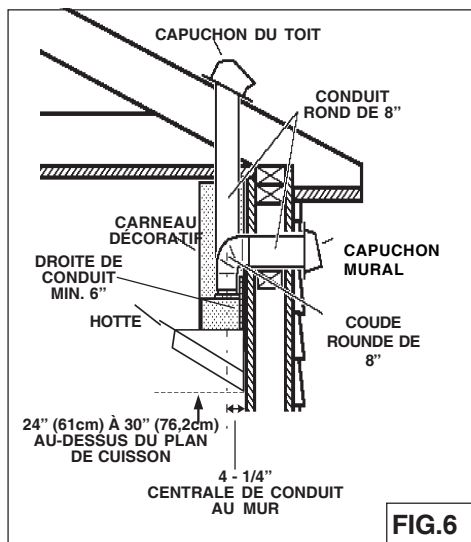


FIG. 5

INSTALLER LES CONDUITS

REMARQUE: pour réduire les risques d'incendie, utilisez uniquement des conduits métalliques.

1. Décidez de l'emplacement des conduits entre la hotte et l'extérieur (Fig.6).
2. Un tracé droit et court permet à la hotte d'être plus efficace.
3. Des conduits longs, des coudes et des transitions réduisent son efficacité. N'en utilisez que le moins possible. Pour plus d'efficacité, des conduits plus gros peuvent être nécessaires si le parcours est trop long.
4. Installez le capuchon mural ou de toit. Connectez un conduit rond en métal au chapeau en progressant vers la hotte. Scellez les joints avec du ruban à conduit à chaque section.

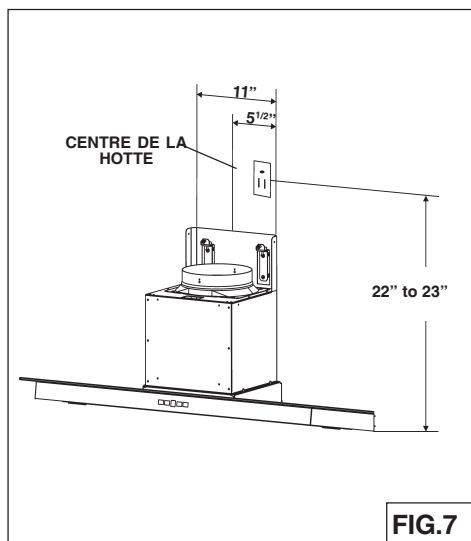


INSTALL ELECTRICAL

HOTTES CANALISÉES ET NON CANALISÉES

⚠ AVERTISSEMENT : Les travaux d'électricité doivent être effectués par des personnes qualifiées en respectant les codes et les normes en vigueur. Cette hotte de cuisine doit être correctement mise à la terre. Avant d'effectuer le câblage, coupez le courant sur le panneau d'alimentation électrique.

1. Planifiez l'emplacement de la hotte au-dessus de la surface de cuisson. Consultez la section « INSTALLATION DE LA BRIDE DE MONTAGE » pour les différentes hauteurs de montage de la hotte.
2. Installez une boîte électrique standard de 5,1 x 10,2 cm (2 x 4 po) et une prise de courant à 3 broches, 125 volts, 15 ampères avec mise à la terre (Fig.7).
3. Installez le centre de la prise de courant 55,8 à 58,4 cm (22 à 23 po) au-dessus du bas de la hotte.
4. Placez la prise en respectant les limites indiquées et décentrée par rapport au conduit (pour permettre le branchement du cordon électrique et le passage du conduit).



CONNEXIONS ÉLECTRIQUES DU VENTILATEUR EXTÉRIEUR

Raccordement du ventilateur à la hotte :

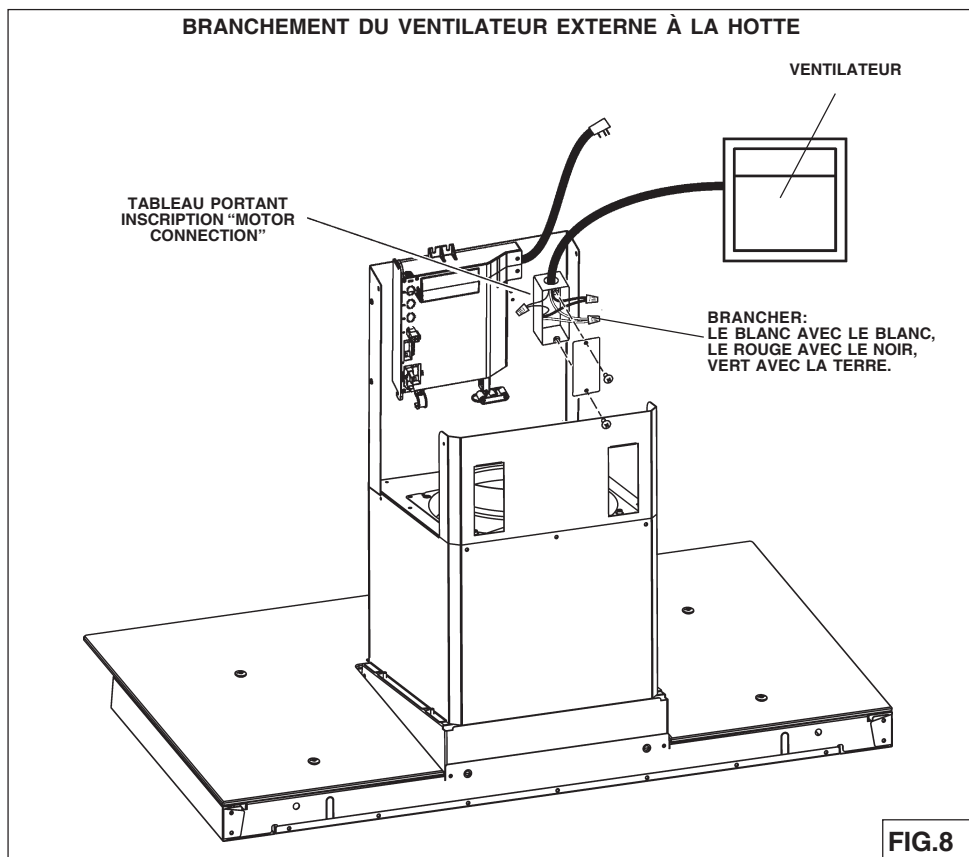
1. Acheminez un câble électrique à deux fils plus un fil de terre du ventilateur extérieur ou intermédiaire jusqu'à la boîte de câblage de la hotte marquée " connexion du moteur " (Fig.8).
2. Enlevez le couvercle de la boîte de câblage et dégagez une ouverture préamorcée.
3. Enfillez 15,2 cm (6 po) de câble à travers l'ouverture préamorcée et fixez le câble au boîtier avec un connecteur approprié.
4. Effectuez les connexions électriques de la hotte. Branchez les fils blancs ensemble, le fil **rouge au noir** et le fil vert avec le fil de terre.
5. Remplacez le couvercle du boîtier de câblage et les vis. Assurez-vous qu'aucun des câbles n'est coincé entre le couvercle et le boîtier.

Connexion du ventilateur extérieur ou intermédiaire:

1. Effectuez les branchements électriques du ventilateur extérieur ou intermédiaire (voir les instructions fournies avec le ventilateur).

Connexion de l'alimentation de la hotte:

1. Branchez le cordon d'alimentation dans la prise électrique murale.



INSTALLATION DES BRIDES DE MONTAGE

Remarque : avant l'installation finale, retirez la pellicule en plastique de toutes les surfaces extérieures, des carnaux décoratifs et des filtres.

HOTTES CANALISÉES ET NON CANALISÉES

1. Construisez une structure murale en bois à niveau avec la surface intérieure des poteaux de cloison (Fig.9).

Assurez-vous:

- que la structure est centrée sur l'emplacement d'installation.
- que la structure soit placée à une hauteur permettant d'y fixer le support de montage conformément aux dimensions indiquées.

2. Une fois la surface du mur finie, fixez les brides de montage à la charpente à l'aide de (4) vis de 4,8 x 38 mm. Voir le tableau ci-dessous pour l'emplacement des brides de montage.

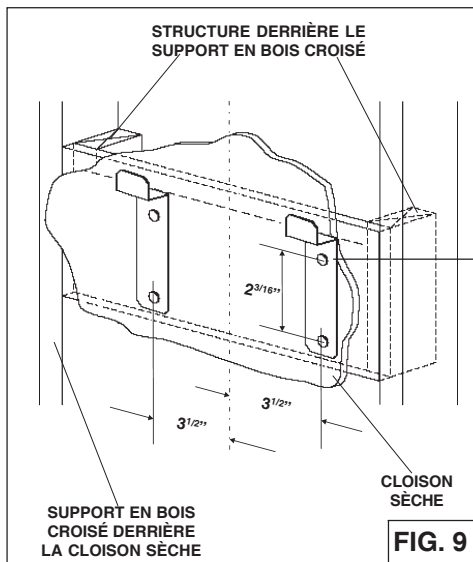


FIG. 9

Hauteur de Plafond	Méthode de Canalisation	Distance de la Hotte à 90 cm (36") au-dessus de la Table de Cuisson (in.)						
		24"	25"	26"	27"	28"	29"	30"
		Mounting Bracket Centr Hole Location Above 36" High Cook Top						
		37 11/16"	38 11/16"	39 11/16"	40 11/16"	41 11/16"	42 11/16"	43 11/16"
2,4 M (8 PI)	DUCTED	X	X	X	X	X	X	X
	NON-DUCTED	X	X	X	X	X	X	X
2,75 M (9 PI)	DUCTED	X	X	X	X	X	X	X
	NON-DUCTED	X	X	X	X	X	X	X
3,05 M (10 PI)	DUCTED	X	X	X	X	X	X	X
	NON-DUCTED	X	X	X	X	X	X	X
3,35 M (11 PI)	DUCTED	X	X	X	X	X	X	X
	NON-DUCTED							X

* Hauteur de montage possible - cependant, non-Duct Filter Slots sera exposé.

Remarques:

- La distance minimale de la hotte au-dessus de la table de cuisson ne doit pas être inférieure à 24". Un maximum de 30" au-dessus de la table de cuisson est fortement recommandé pour une meilleure évacuation des odeurs de cuisson. Distances de plus de 30" sont les installer et choix de l'utilisateur, et si la hauteur de plafond et le permis de longueur de combustion.
- Requiert en option le carnaux extensible à 10 / 11 PI, modèle canalisé AEWC345IQSB ou non-canalisée modèle AEWC345IQSBN.

INSTALL FLUE MOUNTING BRACKET

DUCTED AND NON-DUCTED

1. Assemble the flue mounting bracket, adjusting outside width as shown. (Fig.10)
2. **Carefully** center the mounting bracket directly over the range hood location.
3. Secure the bracket assembly to the ceiling using (2) 4.8 x 38mm mounting screws and drywall anchors (Fig.11). Make sure the bracket is pushed into the corner, tight against the wall if necessary, and centered over the hood. Complete the installation.

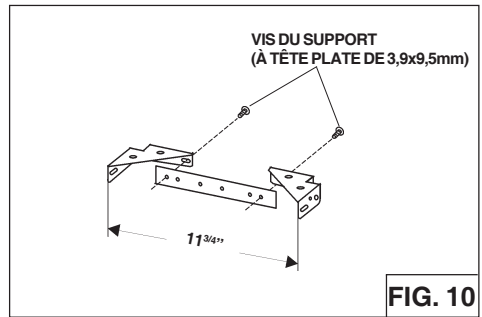


FIG. 10

INSTALL THE HOOD

DUCTED AND NON-DUCTED INSTALLATION

1. Remove the electrical system box from chimney frame by removing (2) 3.9 x 9.5 mm screws. Fig. 12.
2. Attach electrical system box to frame using (2) 3.9 x 9.5 mm screws removed in Step 1 and (2) 3.9 x 9.5 mm screws and (2) lock washers from hardware bag.
3. Install hood onto the wall mounting brackets. Fig. 13. Adjust leveling screws on mounting brackets to level hood with floor.
4. Mark and install (2) additional screws as shown. Use drywall anchors only if necessary.

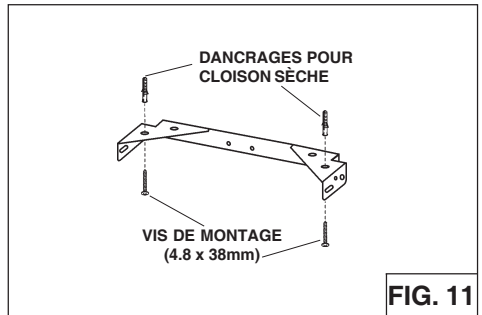


FIG. 11

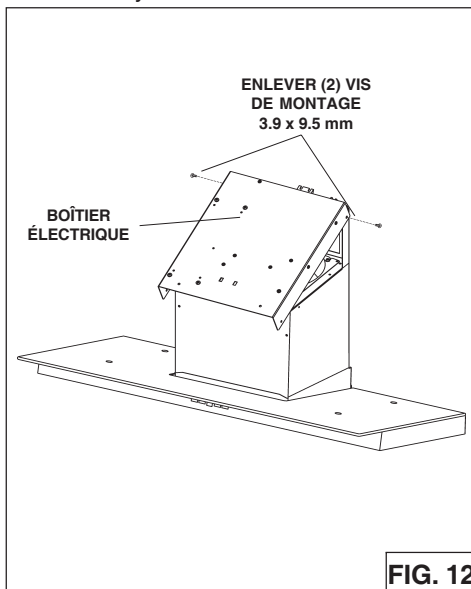


FIG. 12

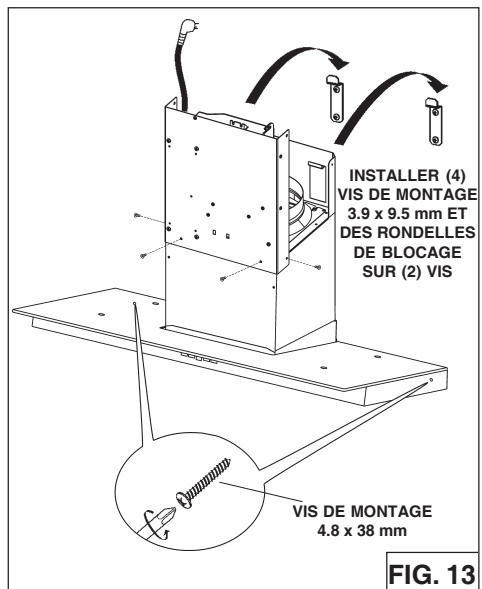
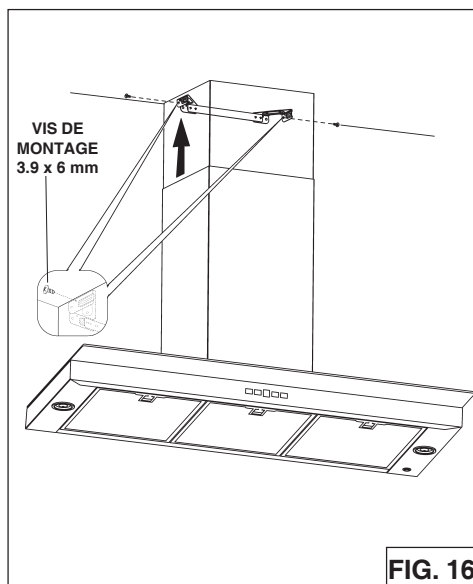
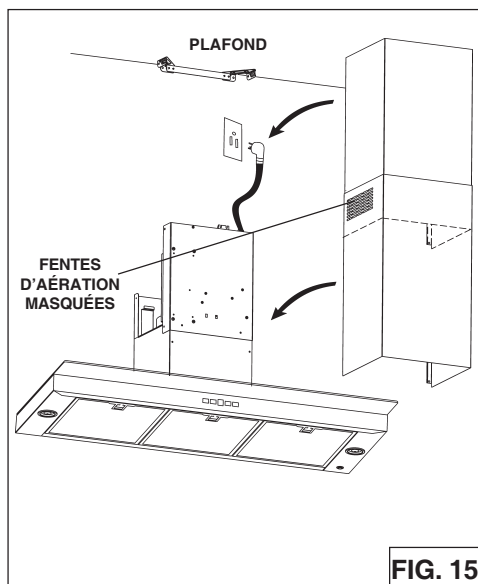
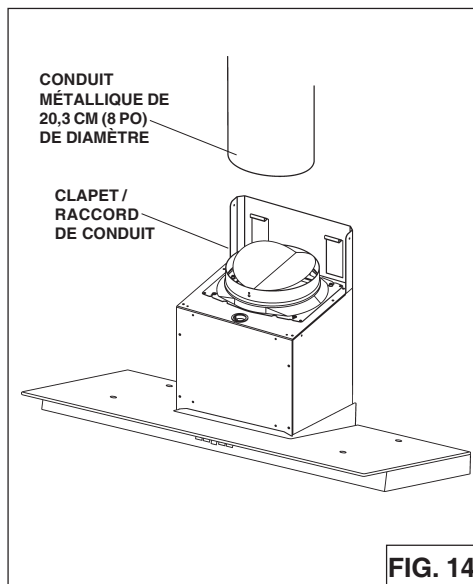


FIG. 13

INSTALLATION D'UNE HOTTE CANALISÉE

Remarque: Les chambres avec plafond de 10 ou 11 pieds, exigent le carneau d'extension, modèle AEWC345IQSB, disponible auprès de votre revendeur local. Jeter le carneau supérieure fournie avec la hotte et le remplacer avec l'extension de carneau.

1. Enlevez la pellicule protectrice de la sortie du ventilateur avant d'installer le clapet sur la hotte avec les (4) vis fournies et scellez les joints avec du ruban en aluminium pour conduits. (Fig.14).
2. Acheminez le conduit métallique rond de 20,3 cm (8 po) jusqu'à l'extérieur.
3. Installez le capuchon de toit ou mural approprié, muni d'un clapet, pour évacuer l'air à l'extérieur.
4. Scellez tous les joints avec du ruban d'aluminium pour conduits.
5. Branchez le cordon électrique dans la prise de courant (Fig.15).
6. Installez le conduit décoratif supérieur et inférieur sur la hotte.
 - Les fentes d'aération sont masquées pour les plafonds de 244 cm (8 pi).
 - Les fentes d'aération sont exposées pour les plafonds de 274 cm (9 pi).
7. Fixez le conduit supérieur à la bride de montage avec (2) vis de 3,9 x 6 mm (Fig.16).



INSTALLATION HOTTE NON CANALISÉE UNIQUEMENT

Remarque:

- a. Veuillez vous procurer l'ensemble de recirculation sans conduits, modèle ANKWC345.
- b. Les pièces ayant un plafond de 305 cm (10 pi) ou 335 cm (11pi) nécessitent la rallonge de conduit décoratif modèle AEWC345IQSBN, offerte chez votre marchand local. Jetez le conduit décoratif supérieur fourni avec votre hotte et remplacez-le par la rallonge de conduit décoratif.

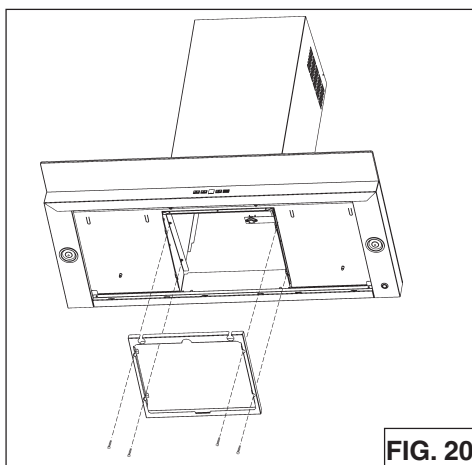
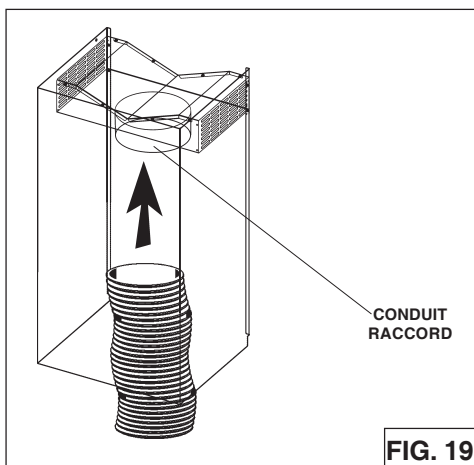
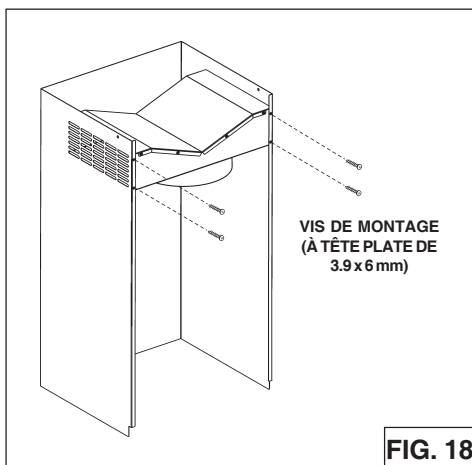
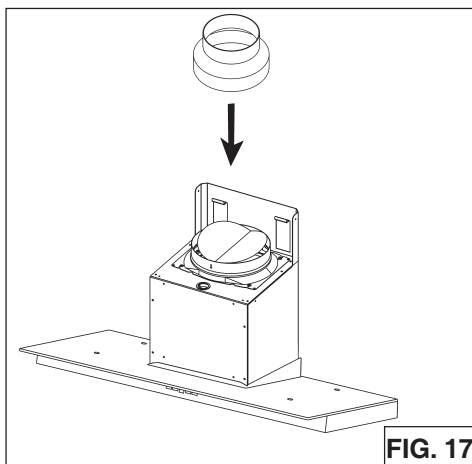
1. Jetez le collier/clapet de sortie fourni avec la hotte (Fig.17).

2. Fixez l'adaptateur de 15,2 à 20,3 cm (de 6 à 8 po) sur la sortie du ventilateur et scellez les joints avec du ruban en aluminium pour conduits (Fig.17).

3. Installez le caisson sur le conduit décoratif supérieur à l'aide des (4) vis de 3.9 x 6 mm fournies, tel qu'illustré (Fig.18).

4. Fixez le conduit extensible de 15,2 cm (6" po) sur le caisson et scellez les joints avec du ruban en aluminium pour conduits (Fig.19).

5. Installez le filtre non canalisé sur le cadre à l'aide de (4) vis de 3,9 x 6 mm (Fig.20).



6. Fixez temporairement les conduits supérieur et inférieur ensemble avec du ruban à conduit, tel qu'illustré (Fig. 21).
7. Soulevez le conduit décoratif en place. Fixez le conduit supérieur à la bride de montage avec (2) vis de 3,9 x 6 mm (Fig. 22).
8. Allongez le conduit extensible, fixez l'adaptateur de 15,2 à 20,3 cm (de 6 à 8 po) et scellez les joints avec du ruban à conduit (Fig. 23).
9. Branchez le cordon électrique dans la prise de courant. Enlevez le ruban des conduits décoratifs et abaissez-le en place sur le hotte (Fig. 24).

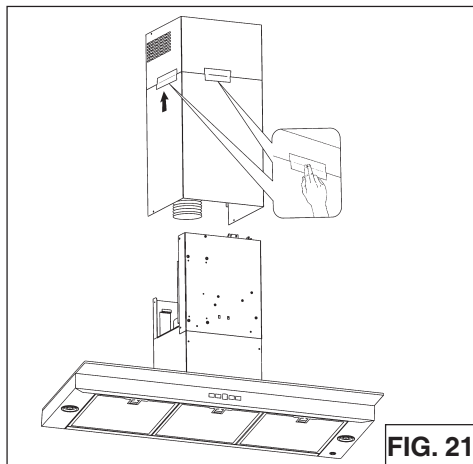


FIG. 21

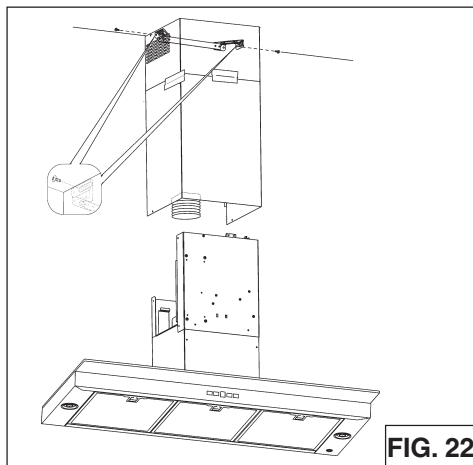


FIG. 22

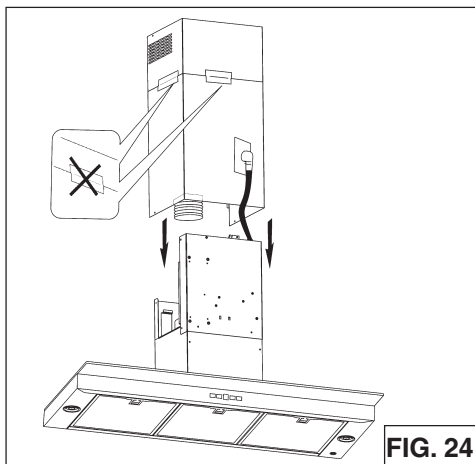


FIG. 24

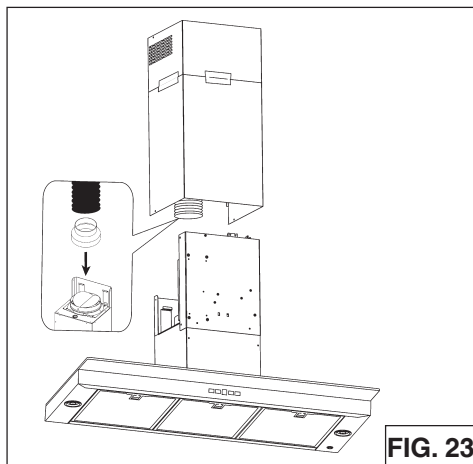


FIG. 23

INSTALLATION DES FILTRES

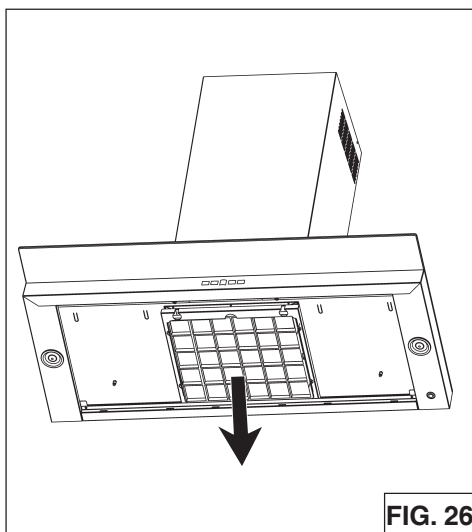
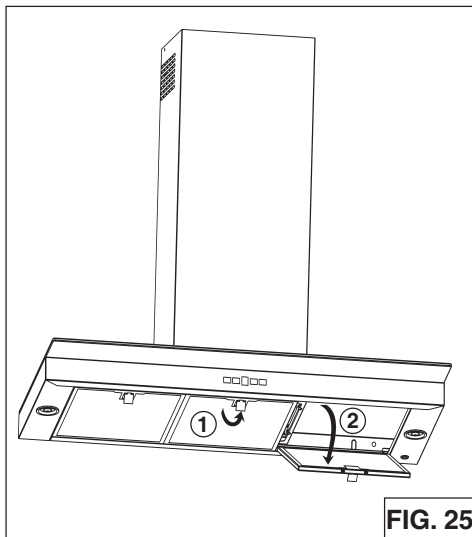
HOTTES CANALISÉE ET NON CANALISÉE

REMARQUE : Avant l'utilisation, enlevez la pellicule protectrice sur le cadre du filtre.

1. Pour enlever le filtre à graisses tirez la languette du loquet vers le bas pour dégager le filtre de la hotte. Inclinez le filtre vers le bas et enlevez-le (Fig.25).
2. Pour installer le filtre à graisses alignez les ergots de l'arrière du filtre sur les fentes de la hotte. Tirez la languette du loquet vers le bas. Poussez le filtre en place et relâchez la languette. Vérifiez si le filtre est bien fixé une fois remplacé.

HOTTE NON CANALISÉE UNIQUEMENT

1. Pour enlever le filtre au CHARBON, agrippez la languette du filtre et poussez-la vers l'arrière de la hotte. Tirez le filtre vers le bas pour dégager les pattes arrière du filtre (Fig.26).
2. Pour installer le filtre au CHARBON, alignez-le dans l'ouverture rectangulaire. Poussez le filtre contre les ressorts à l'arrière de la hotte et pressez-le en place. Vérifiez si le filtre est bien fixé une fois remplacé.
3. Installez le filtre à GRAISSES une fois le filtre au charbon posé.
4. Pour remplacer le filtre au charbon, utilisez le modèle AFCWC345.



CALIBRER LE VENTILATEUR QIMC Seulement canalisés Hotte ventilateur interne

Après l'installation de la hotte encastrable, enclencher le processus de calibrage (notre *Technologie de performance garantie* s'assure que le débit d'air optimal soit émis). Avant d'entreprendre le processus de calibrage, s'assurer que les filtres, les ampoules et le conduit soient installés.

PROCESSUS DE CALIBRAGE

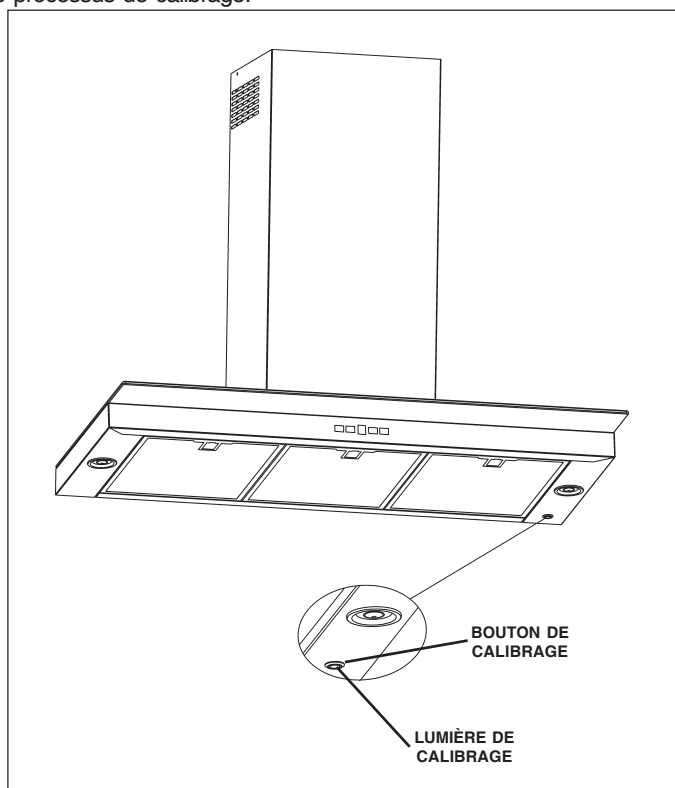
Maintenir le bouton de calibrage enfoncé pendant 3 secondes; celui-ci s'allumera pendant un laps de temps pouvant aller jusqu'à 13 minutes. Le ventilateur s'activera et commencera le processus de calibration. Lorsque le calibrage est terminé, A ou B se produira :

- A. Le ventilateur s'arrête et la lumière du bouton de calibrage s'éteint = Calibrage réussi.
- B. Le ventilateur s'arrête et la lumière du bouton de calibrage clignote continuellement = Trop de restriction dans le conduit empêchant le ventilateur QIMC d'atteindre le débit d'air nominal. Le ventilateur se règle automatiquement à intensité maximale.

NOTE : Les éléments communs pouvant engendrer de la restriction sont : clapet coincé (clapet antirefoulement, capuchon mural, capuchon de toit), un nombre trop élevé de coudes, dimension du conduit de 80% inférieure à la sortie de la hotte, transition de mauvaise qualité, utilisation de conduit flexible et/ou conduit écrasé.

Deux options sont offertes :

1. Appuyer sur le bouton de calibrage pour accepter tel quel. Le ventilateur QIMC est maintenant configuré à son niveau le plus élevé possible. La lumière de calibrage clignotante s'éteint.
2. Corriger la restriction dans le conduit puis, répéter le processus de calibrage.
 - a. Pour effacer les données de calibrage, maintenir le bouton de calibrage enfoncé pendant 10 secondes. Sa lumière clignotera alors 3 fois en guise de confirmation et le ventilateur retournera aux paramètres par défaut.
 - b. Répéter le processus de calibrage.



WC44E Mode de Programmation Procédure

Mode de Programmation WC44E Procédure

La hotte est conçu pour fonctionner avec différents modèles de souffleuses. Avant d'utiliser la hotte, le contrôle doit d'abord être programmé pour votre modèle soufflerie, afin d'atteindre une vitesse de fonctionnement correct:

1. Trouvez le numéro de configuration qui correspond au modèle du ventilateur qui est installé avec votre hotte.
2. Il faut pouvoir le capot mais le ventilateur et les lumières doivent être éteintes.
3. Appuyez simultanément interrupteur d'éclairage et RESET pendant 5 secondes: l'écran affiche un "P" clignotant trois fois et puis affiche alternativement le "P" et la configuration choisie.
4. Sélectionnez la configuration souhaitée avec le Bouton de ventilateur (3→2→1) ou RESET (1→2→3).
5. Poussez le Bouton de temporisateur pour confirmer.
6. L'affichage ("P") clignote deux fois (2 sec sur - 0,5 sec éteint) Enregistrement de la configuration choisie.

Description de "Niveau de vitesse"

Configuration 1 est pour les moteurs avec une cote jusqu'à 3.0 amp

Configuration 2 est pour les moteurs avec une cote de 3.1 amp et 5.0 amp

Configuration 3 est pour les moteurs avec une cote supérieure à 5.1 amp

	SETUP 1	SETUP 2	SETUP 3
Configuration 1 est pour les moteurs avec une cote jusqu'à 3.0 amp	EB6	EB12	EB9
Configuration 2 est pour les moteurs avec une cote de 3.1 amp et 5.0 amp	ILB3	EB15	ILB11
Configuration 3 est pour les moteurs avec une cote supérieure à 5.1 amp	ILB6	ILB9	

GARANTIE

GARANTIE LIMITÉE DE UN AN DE BEST

Broan-NuTone LLC (Broan-NuTone) garantit à l'acheteur original que les produits BEST vendus en vertu de la présente sont libres de tout vice de matériau ou de fabrication pour une période de un an à compter de la date d'achat originale. CETTE GARANTIE NE COMPORTE AUCUNE AUTRE GARANTIE, EXPRESSE OU TACITE, Y COMPRIS, MAIS SANS S'Y LIMITER, LES GARANTIES TACITES DE VALEUR MARCHANDE OU D'ADAPTATION À UN USAGE PARTICULIER.

Durant cette période de un an, Broan-NuTone réparera ou remplacera gratuitement, à sa discrétion, tout produit ou toute pièce jugés défectueux dans des conditions normales d'utilisation.

CETTE GARANTIE NE S'APPLIQUE PAS AUX TUBES FLUORESCENTS ET AUX STARTERS, NI AUX AMPOULES HALOGÈNES OU INCANDESCENTES, FUSIBLE, FILTRES, CONDUITES, CHAPEAUX DE TOIT, CHAPEAUX DE MUR ET AUTRES ACCESSOIRES POUR CANALISATIONS. Cette garantie ne couvre pas (a) les frais d'entretien ou de service normaux ni (b) tout produit ou toute pièce soumis à une utilisation inadéquate, une négligence, un accident, un entretien ou une réparation inadéquats (autres que ceux effectués par Broan-NuTone), une mauvaise installation ou une installation contraire aux instructions recommandées. La durée de toute garantie tacite est limitée à la période de un an stipulée pour la garantie expresse. Certains États ou provinces ne permettent pas de limites quant à la durée d'une garantie implicite. La restriction susmentionnée peut donc ne pas s'appliquer dans votre cas.

BROAN-NUTONE'S L'OBLIGATION POUR BROAN-NUTONE DE RÉPARER OU DE REMPLACER LE PRODUIT, À SA DISCRÉTION, CONSTITUE LE SEUL RECOURS DE L'ACHETEUR EN VERTU DE CETTE GARANTIE. BROAN-NUTONE NE PEUT PAS ÊTRE TENUE RESPONSABLE DE TOUT DOMMAGE INDIRECT, CONSÉCUTIF OU ACCESSOIRE DÉCOULANT DE L'UTILISATION OU DU RENDEMENT DU PRODUIT. Certains États ou provinces interdisent l'exclusion ou la restriction des dommages indirects ou consécutifs. La restriction susmentionnée peut donc ne pas s'appliquer dans votre cas.

La présente garantie vous confère des droits spécifiques reconnus par la loi. D'autres droits pourraient également vous être accordés selon la législation locale en vigueur. La présente garantie remplace toutes les autres garanties précédentes.

Pour le service sous garantie, vous devez (a) aviser Broan-NuTone à l'une des adresses ou numéros de téléphone mentionnés ci-dessous, (b) indiquer le numéro de modèle et d'identification de la pièce et (c) décrire la défectuosité du produit ou de la pièce. Lors d'une réclamation, vous devez présenter une preuve de la date d'achat originale.

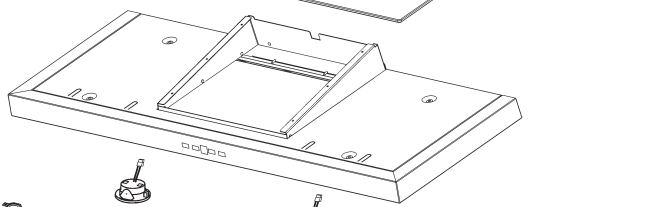
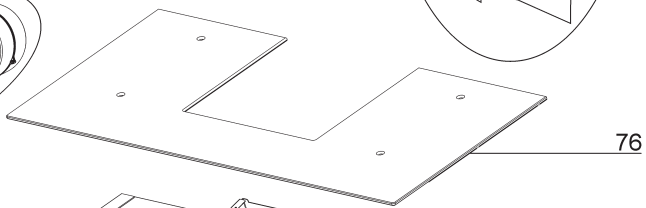
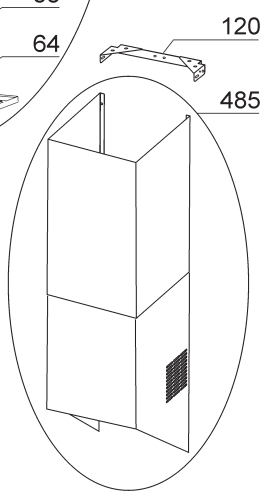
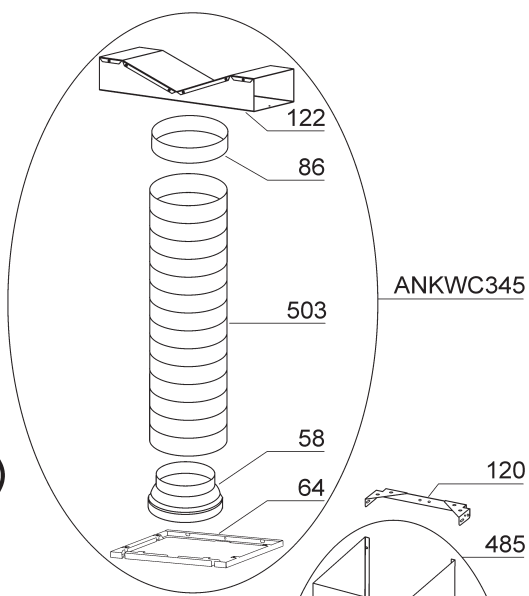
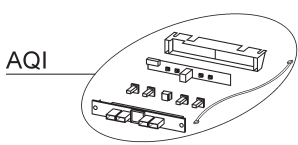
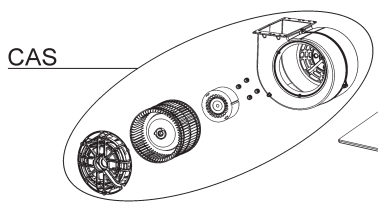
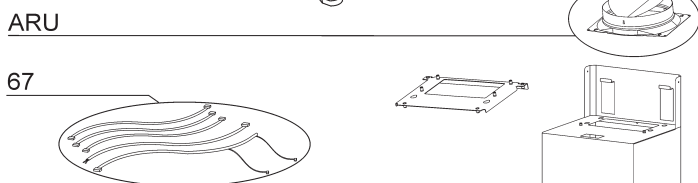
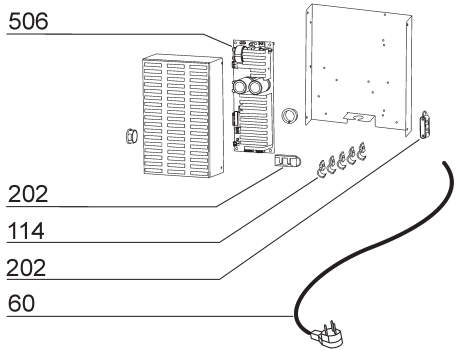
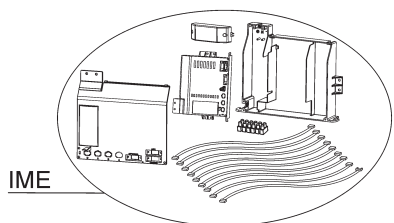
In USA - Best®, 926 W. State Street, Hartford, WI 53027 (800-558-1711)
In Canada - Best®, 550 Lemire Blvd., Drummondville, QC J2C 7W9 (866-737-7770)
www.BestRangeHoods.com

PIÈCES DE RECHANGE

MODÈLE WC44IQ

N.	PART NO.	DESCRIPTION
9	B08087958	Filtres à graisse
37	B02300804	Capteur de température
60	B02300249	Cordon d'alimentation
67	B06102615	Ensemble de Fils
76	B02005322	Verre
114	B032904990	Fils de passage
202	B03292290	Serre-fil
439	B02320034	Manchon en Caoutchouc
474	B08093413	Ampoule Del
485	B08016375	Conduit décoratif Assemblée
506	97019430	BLDC Driver
507	B06102584	Bouton Calibration Assemblée
*	B080810993	Accessoires de fixation (Comprend Les N° 120)
AQI	B06102632	Ensemble de Tableau de Commandes
ARU	B08081849	Connector Conduit Assemblée 8"
IME	B06145222	Ensemble de l'Installation Électrique
CAS	B06002259	Ensemble de Soufflante
ANKWC345	B08999175	Kit non raccordés (Comprend Les N° 58, 86, 122, 503)
58	B03294170	Réduction de Sortie
64	B08093477	Cadre de Filtre Sans Conduits
86	B03292300	Bride de Sortie
122	B08093478	Appui
503	B02011557	Canalisation Extensible
AFCWC345	B08999176	Kit Support Filtres de Recirculation Non Raccordés

* Illustrées separemen.

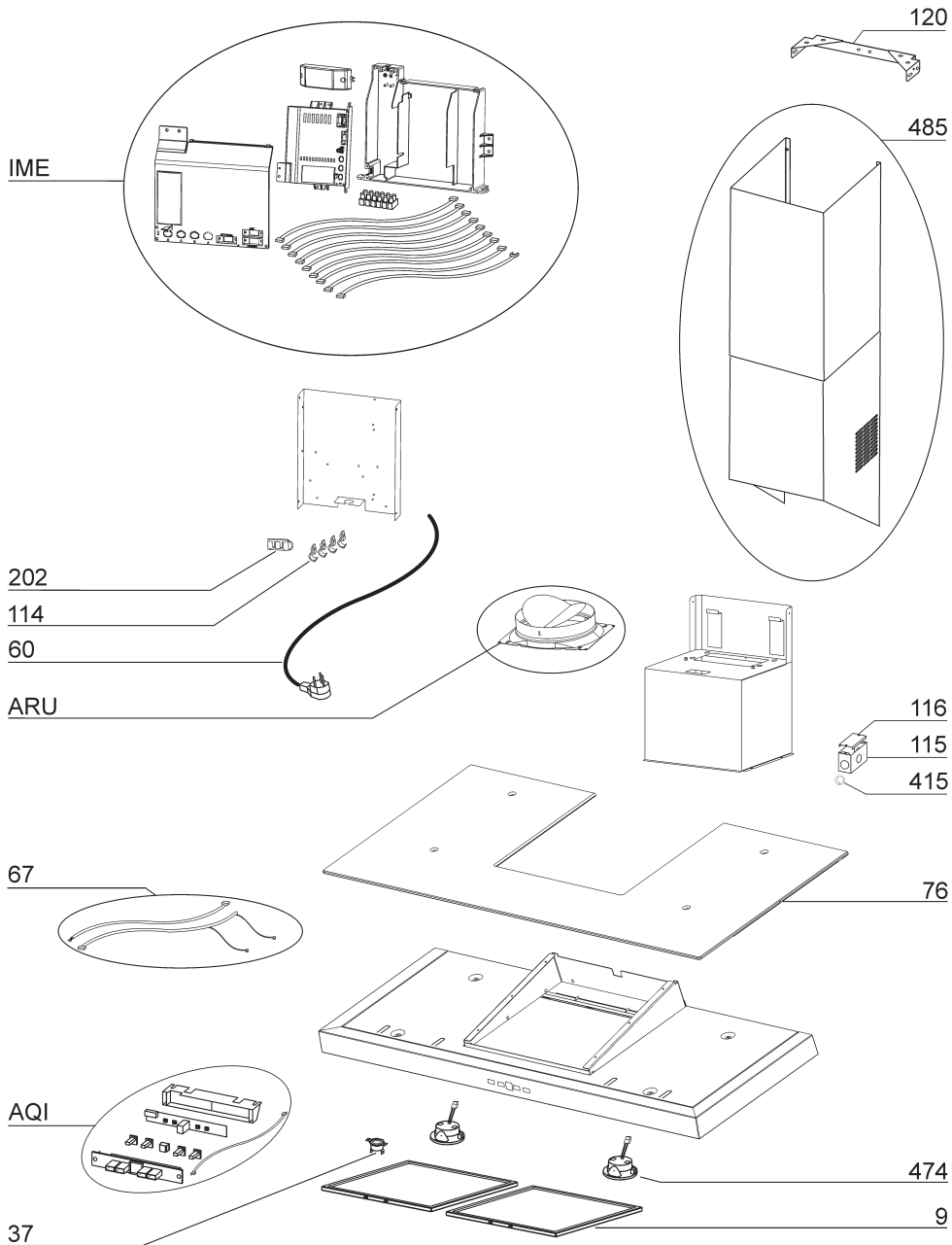


PIÈCES DE RECHANGE

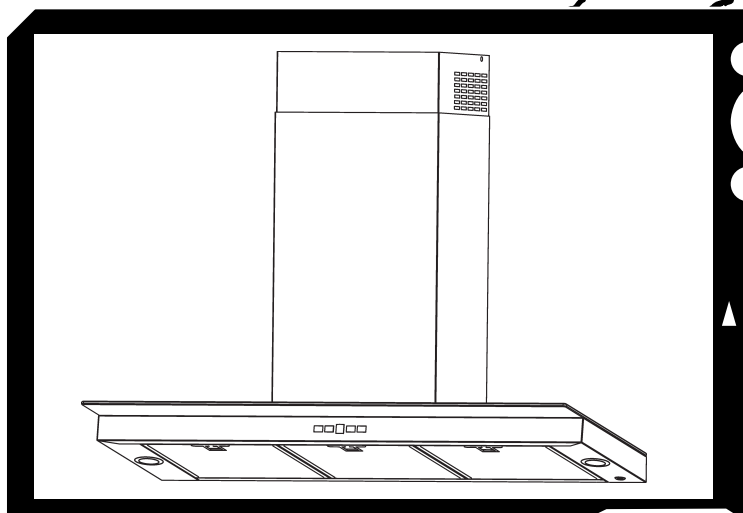
MODÈLE WC44E

N.	PART NO.	DESCRIPTION
9	B08087958	Filtres à graisse
37	B02300804	Capteur de température
60	B02300249	Cordon d'alimentation
67	B06102616	Ensemble de Fils
76	B02005322	Verre
114	B032904990	Fils de passage
115	BE3350233	Boîte de alimentation
116	BE3334252	Couvercle Boîte de alimentation
202	B03292290	Serre-fil
415	B03292288	Chaurmad
474	B08093413	Ampoule Del
485	B08016375	Conduit décoratif Assemblée
*	B080810993	Accessoires de fixation (Comprend Les N° 120)
AQI	B06102633	Ensemble de Tableau de Commandes
ARU	B08081849	Connector Conduit Assemblée 8"
IME	B06145223	Ensemble de l'Installation Électrique

* Illustrées separemen.



best®



Modelo WC44

ENGLISH.....	3
FRANÇAIS.....	25
ESPAÑOL.....	49

En EE.UU.: BEST Hartford, Wisconsin
En CANADÁ - BEST Drummondville, QC, Canada

REGISTRE SU PRODUCTO EN LÍNEA EN: www.BestRangeHoods.com/register
Para obtener información adicional visite www.BestRangeHoods.com

LEA Y CONSERVE ESTAS INSTRUCCIONES

⚠ PARA COCINAS DOMÉSTICAS SOLAMENTE ⚠

⚡ ⚠ ADVERTENCIA

PARA REDUCIR EL RIESGO DE INCENDIOS, DESCARGAS ELÉCTRICAS O LESIONES PERSONALES, RESPETE LO SIGUIENTE:

1. Utilice esta unidad sólo de la manera prevista por el fabricante. Si tiene preguntas, comuníquese con el fabricante a la dirección o el número de teléfono que aparecen en la garantía.
2. Antes de realizar el mantenimiento de la unidad o de limpiarla, desconecte la energía en el panel de servicio y bloquéelo para evitar conectar la energía accidentalmente. Cuando no se pueda bloquear el mecanismo de desconexión, fije firmemente un dispositivo de advertencia que se destaque, como una etiqueta, en el panel de servicio.
3. Una persona capacitada debe realizar el trabajo de instalación y el cableado eléctrico conforme a los códigos y estándares correspondientes, incluidos los códigos y estándares de construcción de resistencia al fuego.
4. Es necesario que haya suficiente aire para que se produzca una combustión adecuada y los gases de los equipos que consumen combustible se puedan evacuar a través del conducto de humo (chimenea) para evitar el contrarritaje. Siga las directrices y las normas de seguridad del fabricante del equipo de calefacción como las publicadas por la Asociación Nacional de Protección contra Incendios (National Fire Protection Association, NFPA) y la Sociedad Americana de Ingenieros en Calefacción, Refrigeración y Aire Acondicionado (American Society for Heating, Refrigeration and Air Conditioning Engineers, ASHRAE) y las autoridades de códigos locales.
5. Cuando realice cortes o perforaciones en paredes o techos, no dañe el cableado eléctrico ni otros servicios públicos ocultos.
6. Los ventiladores entubados siempre deben ventilarse hacia el exterior.
7. No utilice esta unidad con un dispositivo de control de velocidad de estado sólido independiente.
8. Para reducir el riesgo de incendios, sólo utilice entubados de metal.

INSTRUCCIONES DE CONEXIÓN A TIERRA

Este artefacto se debe conectar a tierra. En caso de un cortocircuito eléctrico, la conexión a tierra reduce el riesgo de descarga eléctrica al proporcionar un cable de escape para la corriente eléctrica. Este artefacto está equipado con un cable con un alambre de conexión a tierra con una clavija de tierra. La clavija debe conectarse en un tomacorriente que esté instalado y conectado a tierra correctamente.

ADVERTENCIA: la conexión a tierra incorrecta puede crear riesgo de descarga eléctrica.

Consulte a un electricista capacitado si no comprende por completo las instrucciones de conexión a tierra o si tiene dudas sobre si el artefacto está conectado a tierra correctamente.

No utilice un alargador. Si el cable de alimentación eléctrica es demasiado corto, pida a un electricista capacitado que instale un tomacorriente cerca del artefacto.

PARA REDUCIR EL RIESGO DE INCENDIOS POR GRASA EN LA COCINA:

- A. Nunca deje las unidades de superficie sin cuidado en graduaciones altas. Los derrames por ebullición generan humos y derrames grasosos que pueden encenderse. Caliente aceites lentamente en una graduación baja o media.
- B. Siempre ENCIENDA la campana cuando cocine con mucho calor o cuando flambea alimentos (por ejemplo crepes Suzette, cerezas jubileo, filete flambeado a la pimienta).
- C. Limpie los ventiladores con frecuencia. No se debe dejar acumular grasa en el ventilador ni en el filtro.
- D. Utilice una cacerola del tamaño adecuado. Siempre utilice utensilios de cocina apropiados para el tamaño del elemento de la superficie.

ADVERTENCIA

PARA REDUCIR EL RIESGO DE LESIONES PERSONALES EN CASO DE UN INCENDIO POR GRASA EN LA COCINA, RESPETE LO SIGUIENTE: *

1. SOFOQUE LAS LLAMAS con una tapa bien ajustada, una bandeja para hornear o una bandeja metálica y luego apague el quemador. **TENGA LA PRECAUCIÓN DE EVITAR QUEMADURAS.** Si las llamas no se apagan inmediatamente, **SALGA Y LLAME A LOS BOMBEROS**
2. **NUNCA TOQUE UNA CACEROLA EN LLAMAS:** puede quemarse.
3. **NO USE AGUA,** incluso toallas o repasadores húmedos. Se producirá una explosión de vapor violenta.
4. Utilice un extintor de incendios **SÓLO** si
 - A. Sabe que tiene un extintor de incendios Clase ABC y ya sabe utilizarlo
 - B. El fuego es pequeño y está contenido en el área donde comenzó.
 - C. Se está llamando a los bomberos.
 - D. Puede combatir el incendio de espaldas hacia una salida.

* Según los "Consejos de seguridad para incendios en la cocina" publicado por la NFPA.

PRECAUCIÓN

1. Sólo para uso en interiores.
2. Para reducir el riesgo de incendios y eliminar el aire correctamente, asegúrese de dirigir el aire hacia afuera. No ventile el aire de escape en espacios dentro de paredes o techos ni en áticos, sótanos o garajes.
3. Tenga cuidado cuando use agentes de limpieza o detergentes.
4. Evite usar productos alimenticios que produzcan llamas debajo de la campana para cocina.
5. Sólo para uso de ventilación general. No utilice para purgar materiales y vapores explosivos o peligrosos.
6. Para evitar causar daños en el cojinete del motor y que los propulsores queden desbalanceados o ruidosos, mantenga el polvillo de paredes de yeso, polvo de construcción, etc. alejados de la unidad motriz.
7. El motor de la campana tiene relés térmicos que se apagan automáticamente si el motor se sobrecalienta. El motor se reiniciará cuando se enfríe. Si el motor se sigue apagando y reiniciando, realice el mantenimiento de la campana.
8. Para capturar mejor las impurezas de la cocina, la parte inferior de la campana debe tener un espacio de como mínimo 24" y como máximo 36" por encima de la superficie de cocción. Consulte la sección "Instalación del soporte de montaje" para obtener las restricciones de montaje.
9. Se recomienda que haya dos instaladores debido al gran tamaño y peso de esta campana.
10. Este producto está equipado con un termostato que puede iniciar el extractor automáticamente. Para reducir el riesgo de lesiones y evitar conectar la energía accidentalmente, desconecte la energía en el panel de servicio y bloquéelo o etiquételo.
11. Lea la etiqueta de especificación en el producto para obtener más información y requisitos.
12. **SÓLO PARA MODELOS DEL VENTILADOR EXTERNO:** Para reducir el riesgo de incendio y descargas eléctricas, instale esta campana solamente con los modelos de ventilador exterior Best EB6, EB9, EB12 or EB15, o los modelos de ventilador en línea Best ILB3, ILB6, ILB9 or ILB11. No se pueden utilizar otros ventiladores (los ventiladores se venden por separado).

LAMPARAS LED

La campana cuenta con lámparas LED que no requieren mantenimiento.

LIMPIEZA Y MANTENIMIENTO

El mantenimiento adecuado de la campana para cocina garantizará el rendimiento correcto de la unidad.

Motor

El motor está constantemente lubricado y nunca necesita engrase. Si los cojinetes del motor hacen un ruido excesivo o inusual, reemplace el motor con el mismo motor de servicio. También se debe reemplazar el propulsor.

Filtro de grasas

Se debe limpiar el filtro de grasas regularmente. Utilice una solución de detergente tibia. El filtro de grasas es apto para lavavajillas. Limpie los filtros que sean completamente de metal del lavavajillas con un detergente sin fosfato. Es posible que se produzca una decoloración del filtro si se usan detergentes con fosfato o como resultado del estado del agua local, pero esto no afectará el rendimiento del filtro. Esta decoloración no está cubierta por la garantía.

Consulte la sección "INSTALACIÓN DE FILTROS" para obtener instrucciones de extracción e instalación.

Filtro de recirculación para uso sin ducto

El filtro de recirculación sin ducto se debe cambiar cada 6 meses. Reemplácelo más seguido si su estilo de cocina produce grasa adicional, como frituras y cocina en wok. Consulte la sección "INSTALACIÓN DE FILTROS" para obtener instrucciones de extracción e instalación.

Limpieza del Acero Inoxidable

LO QUE SE DEBE HACER:

- limpiar regularmente con un paño limpio o un trapo empapado con agua tibia y jabón suave o detergente líquido.
- limpiar siempre en la dirección de las líneas pulidas originales.
- siempre enjuagar bien con agua limpia (2 ó 3 veces) después de la limpieza. secar con un trapo por completo.
- también se puede utilizar un limpiador de acero inoxidable doméstico.

LO QUE NO SE DEBE HACER:

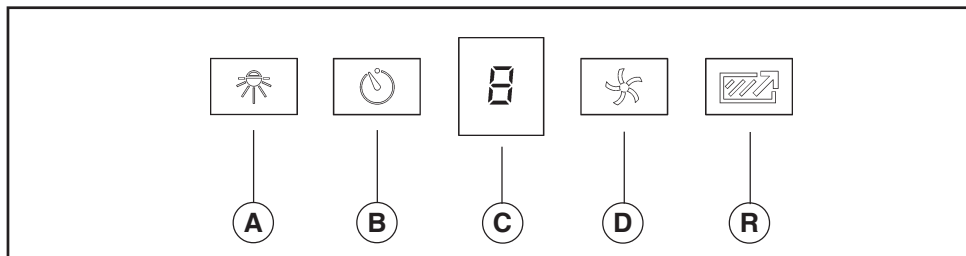
- usar cualquier esponja de acero o acero inoxidable o cualquier raspador para eliminar cualquier suciedad persistente.
- usar limpiadores agresivos o abrasivos.
- permitir que se acumule suciedad.
- dejar que el polvo de yeso o cualquier otro residuo de construcción alcance la campana. durante una construcción/renovación, cubrir la campana para cocina para asegurarse de que el polvo no se pegue en la superficie de acero inoxidable.

Cuando elija un detergente, evite lo siguiente:

- todos los limpiadores que contienen lejía, ya que atacarán el acero inoxidable.
- todos los productos que contienen: cloruro, fluoruro, yoduro o bromuro, porque deteriorarán las superficies rápidamente.
- todos los productos combustibles usados para limpiar, como acetona, alcohol, éter, bencol, etc., puesto que son altamente explosivos y nunca se deben usar cerca de la cocina.

FUNCIONAMIENTO

Controles (Fig.1)



Botón A = Enciende las luces encendido/bajo/alto/apagado

Botón B = Activa/Desactiva la función de apagado por retardo. Presione una vez (cuando el extractor este encendido) para activar la función de apagado por retardo. El nivel de velocidad que es desplegado en la pantalla "C" parpadeará cuando este activada esta función. Después de 10 minutos, el extractor se apagará. La función de retardo puede ser desactivada presionando el botón en cualquier momento.

Pantalla C = Indica la velocidad del extractor 1, 2, 3, o "b" para impulso. "-" indica la necesidad de limpiar el filtro de grasas o remplazar el filtro para extracción sin ducto.

Botón D = Enciende el extractor. La campana se encenderá en la última velocidad seleccionada. La velocidad del extractor cambiara cada vez que el botón es presionado (de 1 a "b"). Para apagar el extractor mantenga el botón presionado por aproximadamente 2 segundos.

Botón R = Restablecer el indicador para limpiar el filtro. Mantenga presionado por 2 segundos para restablecer el indicador.

HEAT SENTRY™

La campana está equipada con un termostato HEAT SENTRY™. Este termostato es un dispositivo que encenderá o acelerará el extractor si detecta calor excesivo sobre la superficie de cocción.

- 1) Si el extractor está APAGADO: ENCIENDE el extractor en velocidad ALTA.
- 2) Si el extractor está ENCENDIDO en un ajuste de velocidad bajo: cambia el extractor a velocidad ALTA.

Cuando el nivel de temperatura descienda a normal, el extractor regresará a su ajuste original.

ADVERTENCIA

El termostato HEAT SENTRY puede iniciar el extractor aún si la campana está APAGADA. Cuando sucede esto, es imposible APAGAR el extractor con su interruptor. Si debe detener el extractor, hágalo desde el panel eléctrico principal.

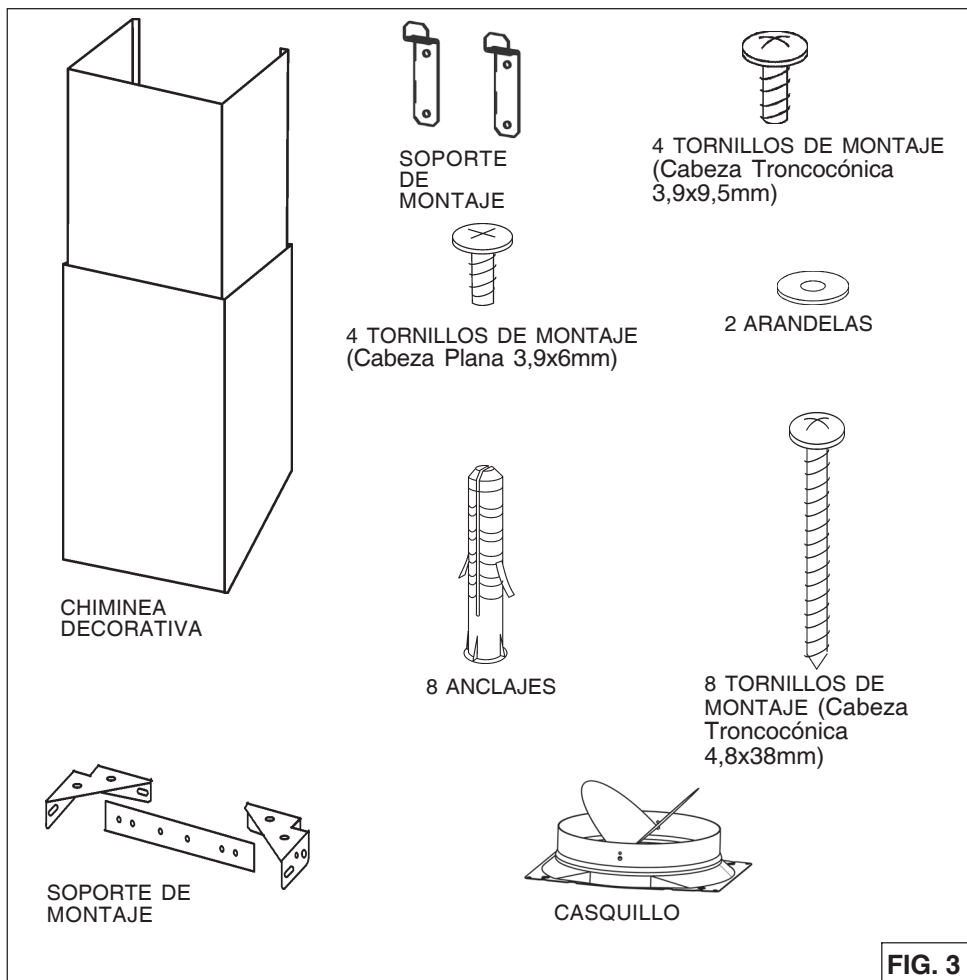
PREPARACIÓN DE LA CAMPANA

Desensamble la campana y revise el contenido.

Debe recibir:

- 1 - Campana
- 1 - Conjunto de conducto de chimenea decorativa
- 1 - Bolsa de piezas (B080810993) que contiene:
 - 2 - Soporte de montaje
 - 1 - Casquillo
 - 1 - Soporte de montaje
 - 8 - Tornillos de montaje (Cabeza troncocónica 4.8 x 38 mm)
 - 4 - Tornillos de montaje (Cabeza troncocónica 3.9 x 9.5 mm)
 - 4 - Tornillos de montaje (Cabeza plana 3.9 x 6 mm)
 - 2 - Tornillos de montaje (Cabeza troncocónica 3.9 x 9.5 mm)
 - 8 - Anclajes para paredes de yeso
 - 2 - Arandelas

1 - Instrucciones de instalación



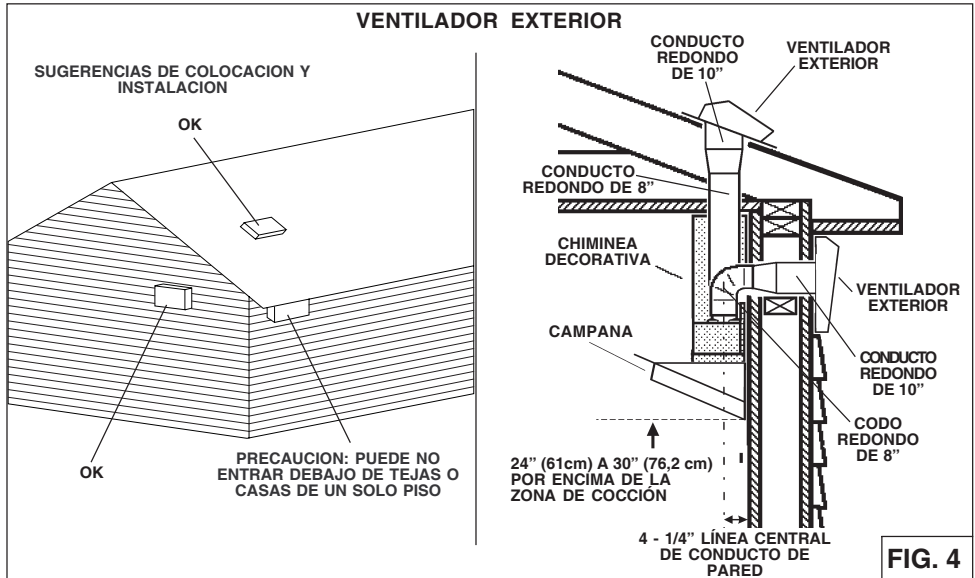
SELECCIÓN DEL VENTILADOR EXTERIOR O DEL VENTILADOR IN-LINE WC44E Series

PRECAUCIÓN: Para reducir el riesgo de incendios y descargas eléctricas, instale esta campana sólo con el ventilador exterior Best Modelos EB6, EB9, EB12 o EB15 y Best In-Line ventilador Modelos ILB3, ILB6, ILB9 o ILB11. Otros ventiladores no puede substituirse. El ventilador debe ser reconocido por **UL** para su uso en Canadá y EE.UU., y evaluado para su uso con el control de velocidad de estado sólido, clasificado 120V, 60 Hz, 6,0 A máx.

INSTALACION DEL CONDUCTO DE EXTRACCION

NOTA: Para reducir al riesgo de incendios, use únicamente conductos de metal.

1. Escoja la posición donde hay que colocar el ventilador exterior o "In-Line". Ver las ilustraciones de abajo, con las sugerencias de colocación, para sugerencias y restricciones de instalación.
2. Un conducto corto y recto permite que la campana extractora funcione mejor.
3. Conducto de salida largos, codos y transiciones reducen la funcionalidad de la campana extractora. Úselos lo menos posible. Conductos más anchos pueden ser necesarios para un mejor funcionamiento de los conductos largos.
4. Después de que se instaló el extractor externo o "In-Line", conecte los conductos metálicos circulares y trabaje al contrario hacia la posición de la campana. Use cinta adhesiva para cerrar herméticamente las uniones entre las secciones del conducto.



VENTILADOR "IN-LINE"

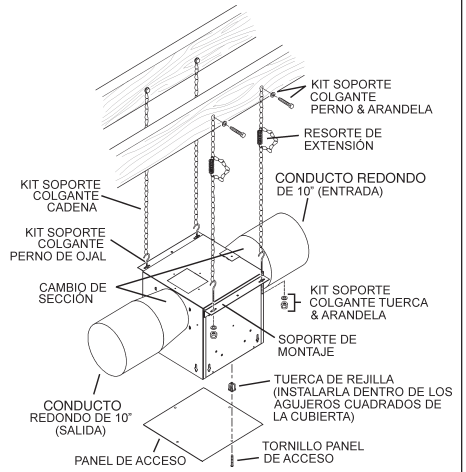
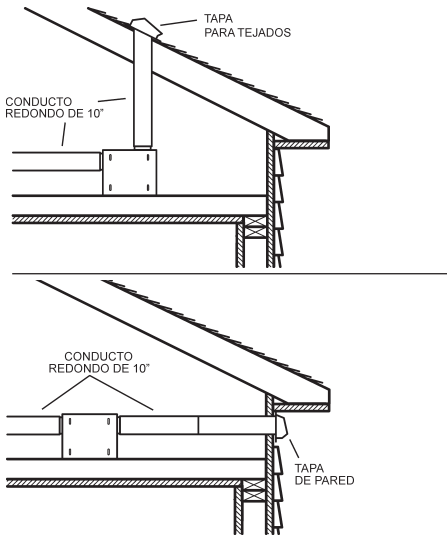


FIG. 5

INSTALACION DEL CONDUCTO DE EXTRACCIÓN

NOTE: To reduce the risk of fire, use only metal ductwork.

1. Decida dónde instalará el conducto entre la campana y el exterior
2. Un conducto recto y corto permitirá que la campana funcione más eficientemente.
3. Los tramos largos de conductos, codos y transiciones reducirán el rendimiento de la campana. Use tan pocos de ellos como sea posible. Es posible que se requieran conductos más grandes para un mejor funcionamiento con tramos más largos de conductos.
4. Instale una tapa de techo o una tapa de pared. Conecte un conducto metálico redondo en la tapa y trabaje hacia atrás, hacia la ubicación de la campana. Use cinta para conductos para sellar las uniones entre las secciones de conductos.

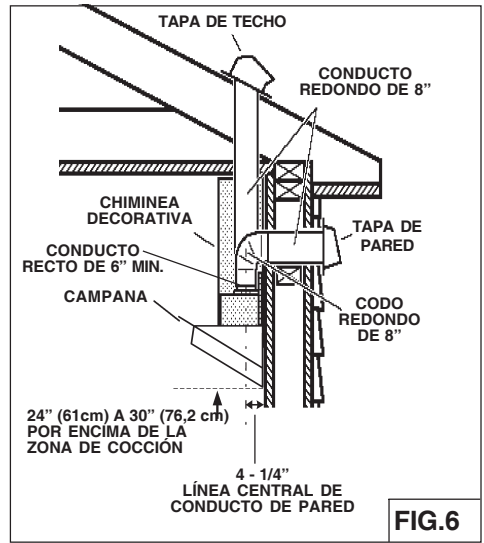


FIG.6

INSTALACIÓN ELECTRICA

CAMPANA CON DUCTO Y SIN DUCTO

⚠ ADVERTENCIA: Una o más personas calificadas deben realizar el trabajo de cableado eléctrico, de acuerdo con todos los códigos y normas correspondientes. Esta campana debe estar adecuadamente conectada a tierra. Interrumpa la energía eléctrica a la entrada de servicio antes de comenzar el cableado.

1. Planifique la ubicación de la campana sobre la superficie de la estufa. Consulte la sección "INSTALACIÓN DEL SOPORTE DE MONTAJE" para ver las opciones de la altura de montaje de la campana.
2. Instale una caja estándar de tomacorriente de pared de 2 x 4 pulg. (5.1 x 10.2 cm) y un receptáculo de 3 hojas de 125 V y 15 A con conexión a tierra (Fig.7).
3. Monte el centro del tomacorriente de pared de 17 a 18 pulg. por encima de la parte inferior de la campana.
4. Ubique la caja y el receptáculo dentro de los límites mostrados y fuera de la línea central de los conductos (a fin de dejar espacio para el enchufe del cable de alimentación y el tubo de humos).

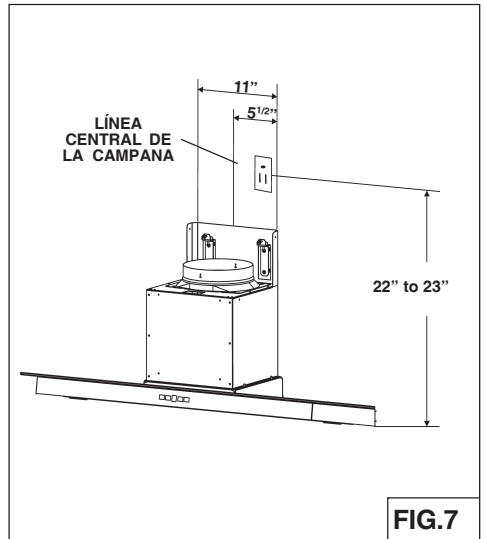


FIG.7

CONEXIONES ELÉCTRICAS DEL VENTILADOR EXTERNO

Conexión del ventilador en la campana:

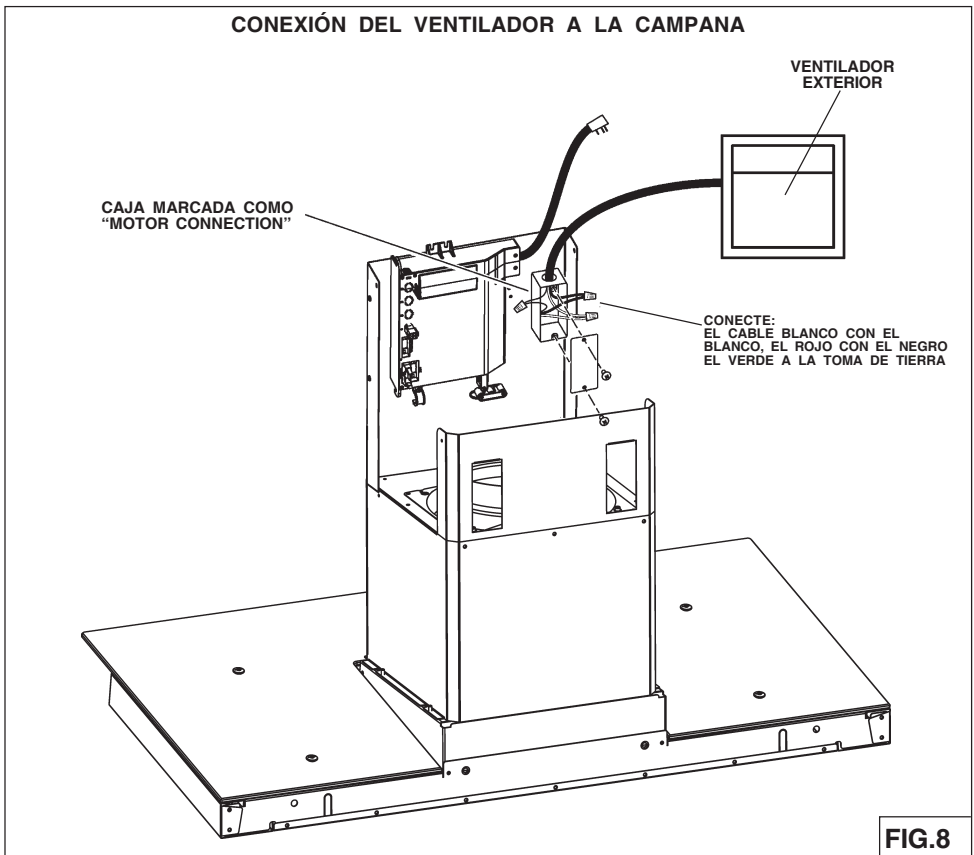
1. Tienda un cable eléctrico de dos hilos y conexión a tierra desde el ventilador exterior o en línea hasta la caja de cableado marcada como “motor connection” (“conexión del motor”), (Fig.8).
2. Quite la cubierta de la caja de cableado y retire un agujero ciego.
3. Haga pasar 6 pulg. (15.2 cm) de cable a través de la abertura ciega y asegure el cable a la caja de conexiones con un conector apropiado.
4. Haga las conexiones eléctricas en la campana. Conecte blanco con blanco, **rojo con negro** y verde con tierra.
5. Vuelva a colocar la cubierta de la caja de conexiones y los tornillos. Asegúrese de que los cables no queden atrapados entre la cubierta y la caja.

Conexión del ventilador exterior o en línea:

1. Haga las conexiones eléctricas en el ventilador exterior o en línea (consulte las instrucciones incluidas con el ventilador).

Conexión de energía eléctrica en la campana:

1. Enchufe el cordón eléctrico en el receptáculo eléctrico de la pared.



INSTALACIÓN DE LOS SOPORTES DE MONTAJE

Remueva la película plástica protectora de todas las superficies exteriores, chimeneas decorativas y filtros, previo a su instalación final.

CAMPANA CON DUCTO Y SIN DUCTO

1. Construya un bastidor de madera en la pared que quede al ras de la superficie interior de los montantes de pared (Fig.9).

Asegúrese de que:

- a) El bastidor esté centrado en el lugar de la instalación.
 - b) La altura del bastidor permita fijar los **soportes de montaje** en el bastidor dentro de las dimensiones mostradas.
2. Después de terminar la superficie de la pared, asegure los soportes de montaje a la estructura con (4) tornillos de montaje de 4.8 x 38 mm. Vea la ubicación del soporte de montaje en la tabla que aparece abajo.

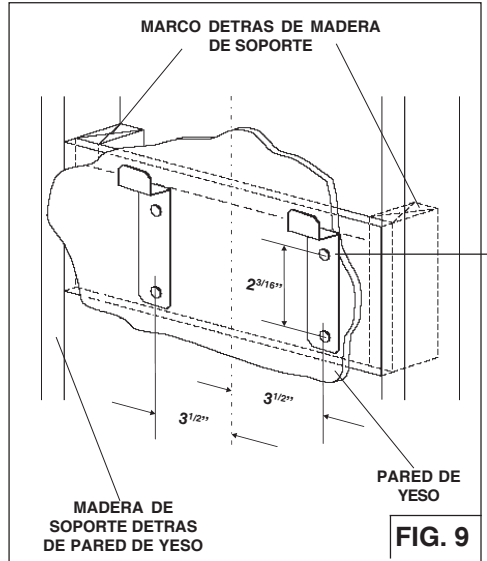


FIG. 9

Altura del techo	Metodo de ducto	Distancia de la campana sobre superficie de cocción superior a 36" (plg.)						
		24"	25"	26"	27"	28"	29"	30"
		Ubicación de orificio para centrado del soporte de montaje decocción superior a 36" (plg.)						
		44 3/8"	45 3/8"	46 3/8"	47 3/8"	48 3/8"	49 3/8"	50 3/8"
8 pies	Con ducto	X	X	X	X	X		
	Sin ducto	X	X	X	X	X		
9 pies	Con ducto	X	X	X	X	X	X	X
	Sin ducto	X	X	X	X	X	X	X
10 pies	Con ducto	X	X	X	X	X	X	X
	Sin ducto	X	X	X	X	X	X	X
11 pies	Con ducto	X	X	X	X	X	X	X
	Sin ducto	X	X	X	X	X	X	X

* Posibles alturas para instalación pero ranuras de filtro serán expuestas.

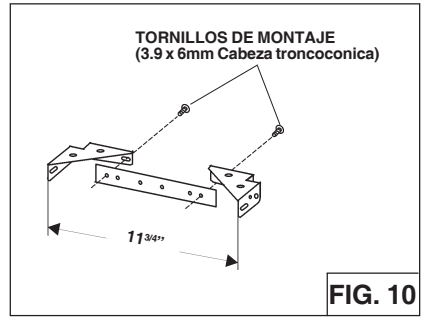
Notes:

- a. Distancia mínima sobre la superficie de cocción no deberá ser menor a 24". Un máximo de 30" por encima de la superficie de cocción es altamente recomendado para la mejor captura de impurezas de cocción. Distancias superiores a 30" son a discreción del instalador o usuario; y si la altura de la chimenea decorativa o techo lo permiten.
- b. Requiere chimenea decorativa opcional de 10' / 11', modelo con ducto AEWC345IQSB o modelo sin ducto AEWC345IQSBN.

INSTALACIÓN DEL SOPORTE DE MONTAJE DEL TUBO DE HUMOS

CAMPANA CON DUCTO Y SIN DUCTO

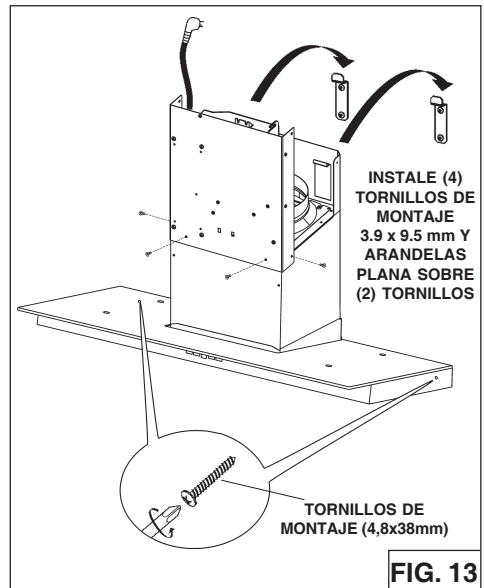
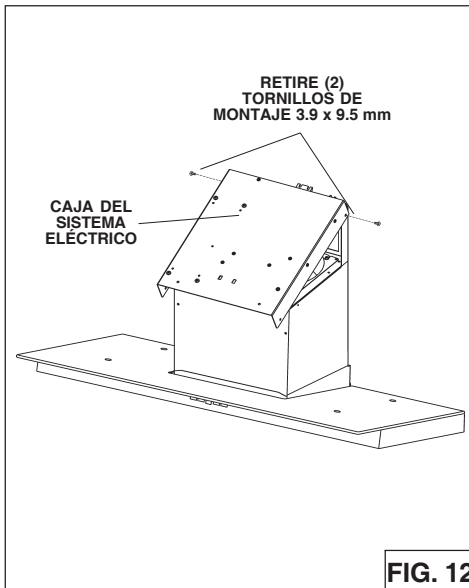
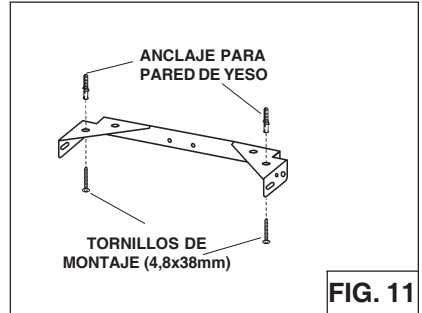
1. Monte el soporte de montaje del tubo de humos, ajustando el ancho exterior como se muestra. (Fig.10)
2. Centre cuidadosamente el soporte de montaje directamente sobre la ubicación de la campana de la estufa.
3. Fije el conjunto del soporte en el cielo raso usando (2) tornillos de montaje de 4.8 x 38 mm y taquetes para placa de yeso (Fig.11). Asegúrese de que el soporte quede presionado sobre la esquina, pegado contra la pared y centrado sobre la campana.



INSTALACIÓN DE LA CAMPANA

CAMPANA CON DUCTO Y SIN DUCTO INSTALACIÓN

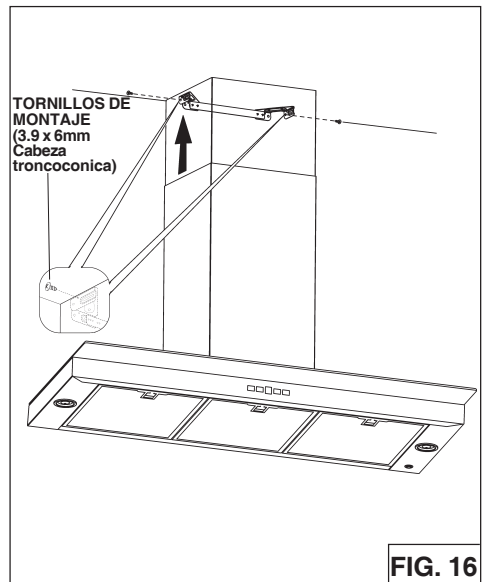
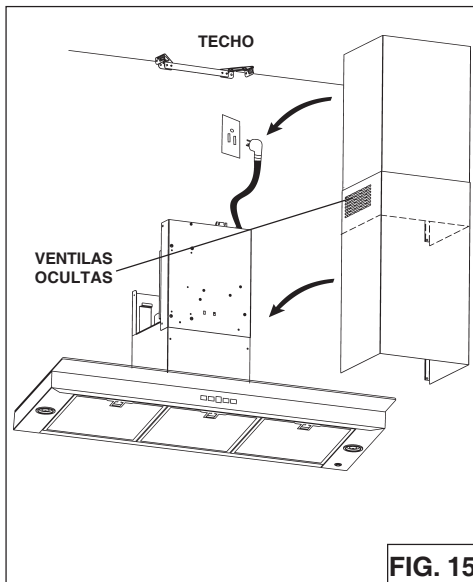
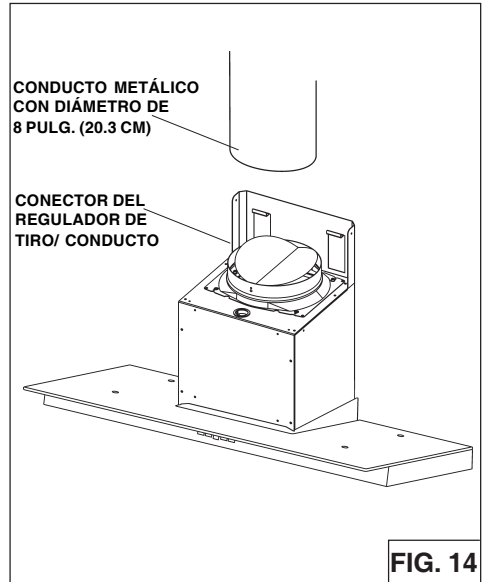
1. Retire la caja del sistema eléctrico del bastidor de la chimenea quitando (2) tornillos de 3.9 x 9.5 mm. Fig. 12.
2. Fije la caja del sistema eléctrico al bastidor usando (2) tornillos de 3.9 x 9.5 mm que quitó en el Paso 1 y (2) tornillos de 3.9 x 9.5 mm y (2) arandelas planas de la bolsa de herrajes.
3. Instale la campana en los soportes de montaje de pared. Fig. 13. Ajuste los tornillos de nivelación en los soportes de montaje para nivelar la campana con el piso.
4. Marque e instale (2) tornillos adicionales, tal como se ilustra. Use taquetes para panel de yeso solamente si fuera necesario.



INSTALACION CON DUCTO SOLAMENTE

Nota: Habitaciones con techos de 10 o 11 pies de altura requieren tubería de escape modelo AEWC345IQSB, disponible con su revendedor. Deseche la chimenea decorativa proporcionada con su campana de cocina y rémplacelo con la extensión de chimenea más larga.

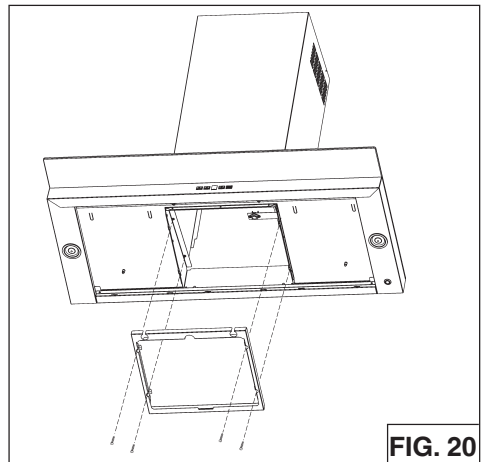
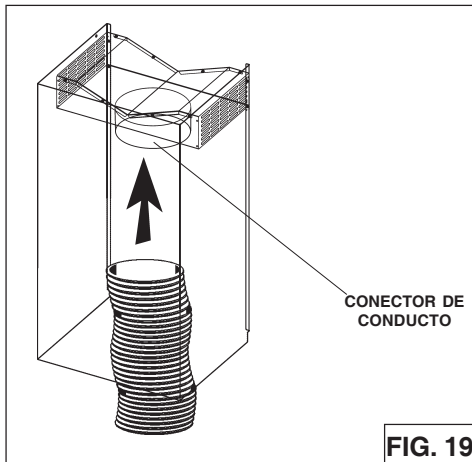
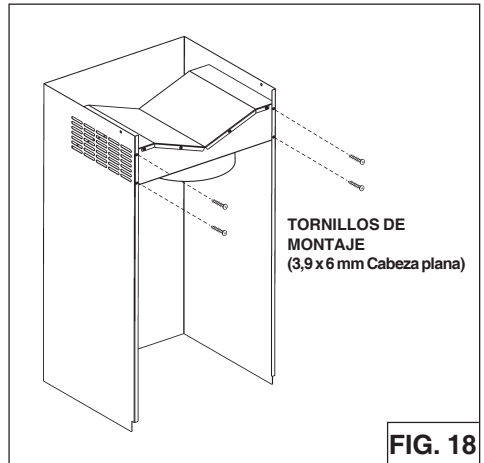
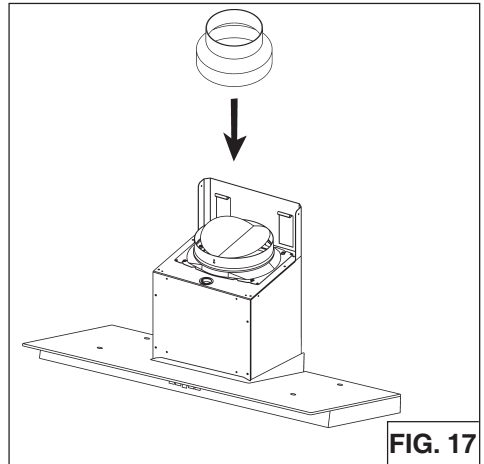
1. Retire la cinta protectora de la salida del ventilador antes de instalar el regulador a la campana con (4) tornillos suministrados y aplique cinta para conductos de aluminio a las uniones (Fig.14).
2. Tienda un conducto metálico de 8" pulg. (20.3 cm) de diámetro hasta el sitio exterior.
3. Instale una tapa para pared o techo apropiada, con el regulador de tiro, para extraer el aire hacia el exterior.
4. Una todas las uniones con cinta de aluminio para conductos.
5. Conecte el cable eléctrico en el tomacorriente (Fig.15).
6. Instale los tubos de humos decorativos superior e inferior en la campana.
 - Las rejillas de ventilación quedan ocultas en techos de 8 pies (244 cm).
 - Las rejillas de ventilación quedan expuestas en techos de 9 pies (274 cm).
7. Asegure el tubo de humos superior al soporte de montaje del tubo con (2) tornillos de 3.9 x 6 mm (Fig.16).



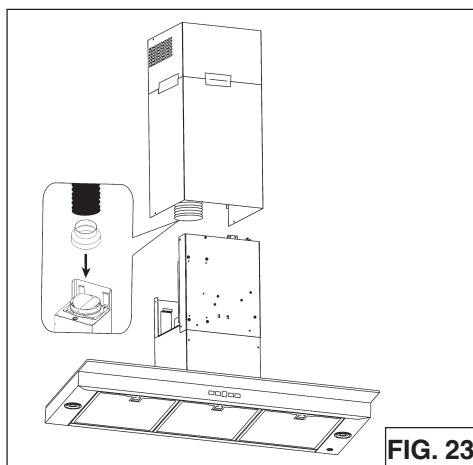
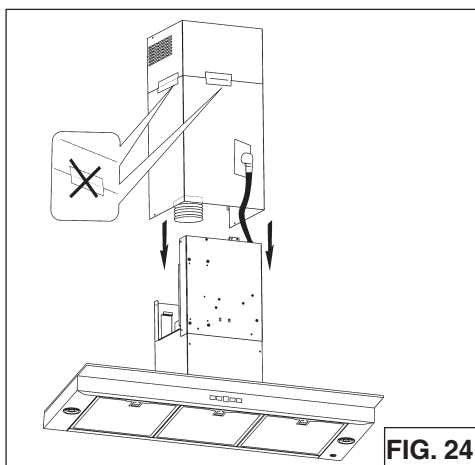
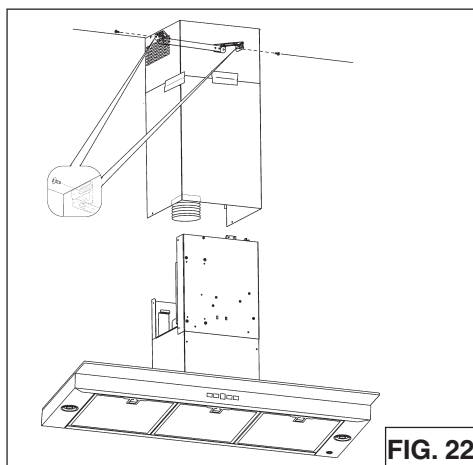
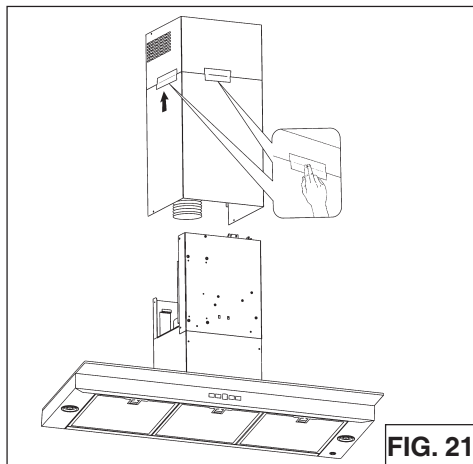
INSTALACIONES SIN DUCTO SOLAMENTE

Nota:

- Compre un juego de recirculación sin conductos, modelo ANKWC346.
 - Las habitaciones con cielo raso de 10 pies (305 cm) y 11 pies (335 cm) requieren la extensión del tubo de humos modelo AEWC345IQSBN, disponible en la concesionaria de su localidad. Deseche el tubo de humos superior (incluido con la campana) y reemplácelo con la extensión de tubo de humos más larga.
- Instale el collarín de descarga suministrado con la campana (Fig.17).
 - Fije el adaptador de 6 a 8 pulg. (15.2 a 20.3 cm) a la descarga del ventilador y aplique cinta para conductos de aluminio a las uniones (Fig.17).
 - Instale el pleno a la parte superior del tubo de humos decorativo usando (4) tornillos de 3.9 x 6 mm suministrados, como se ilustra (Fig.18).
 - Fije un conducto expansible de 6 pulg. (15.2 cm) al pleno y aplique cinta para conductos de aluminio a las uniones (Fig.19).
 - Fije el bastidor para filtro sin conductos usando (4) tornillos de 3.9 x 6 mm (Fig. 20).



6. Asegure juntos temporalmente el tubo de humos superior e inferior con cinta para conductos, como se muestra (Fig. 21).
7. Levante el tubo de humos en su posición por arriba de la campana. Asegure el tubo de humos superior al soporte de montaje del tubo con (2) tornillos de 3.9 x 6 mm (Fig. 22).
8. Estire el conducto expansible, conéctelo al adaptador de 6 a 8 pulg. (15.2 a 20.3 cm) y aplique cinta para conductos en las uniones. (Fig. 23).
9. Conecte el cable eléctrico en el tomacorrientet. Quite la cinta de los tubos de humos y baje en posición sobre la campana (Fig. 24).



INSTALACION DE FILTROS

CAMPANAS CON O SIN DUCTOS

NOTA: Antes de utilizar este producto, despegue la película protectora del bastidor del filtro.

1. Para quitar el filtro de grasa tire hacia abajo de la lengüeta de cierre para desacoplar el filtro de la campana. Incline el filtro hacia abajo y quitelo (Fig.25).
2. Para instalar el filtro de grasa alinee las lengüetas posteriores del filtro con las ranuras de la campana. Tire hacia abajo de la lengüeta. Presione el filtro en su lugar y libere la lengüeta de cierre. Asegúrese de que el filtro esté firmemente enganchado después de su instalación.

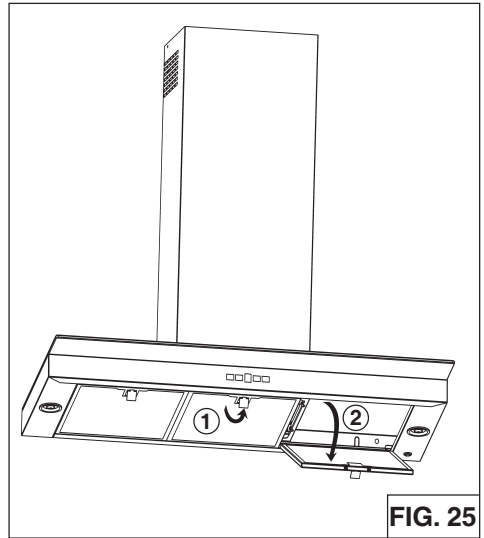


FIG. 25

CAMPANAS SIN DUCTOS SOLAMENTE

1. Para quitar el filtro de CARBÓN, sujete y empuje la pestaña del filtro hacia la parte de atrás de la campana. Estire el filtro hacia abajo para desacoplar las pestañas posteriores del filtro (Fig. 26).
2. Para instalar el filtro de CARBÓN, alinee el filtro en la abertura rectangular. Empuje el filtro contra los resortes en la parte posterior de la campana y presione en su lugar. Asegúrese de que el filtro esté firmemente instalado después de la instalación.
3. Instale el filtro de GRASA después de haber instalado el filtro de carbón.
4. El modelo de reemplazo del filtro de carbón es AFCWC345.

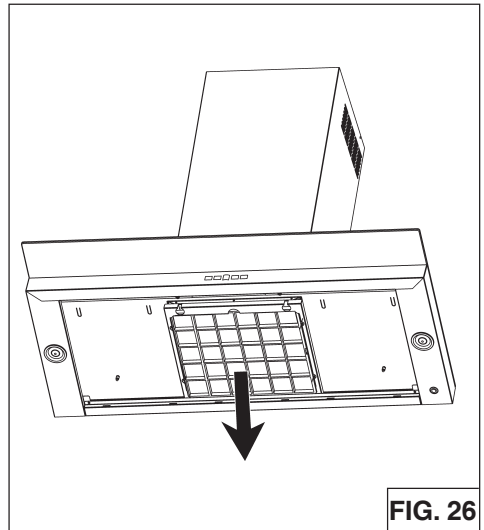


FIG. 26

CALIBRACIÓN DEL VENTILADOR IQ™ CAMPANAS CON CONDUCTO Y EXTRACTOR INTERNO SOLAMENTE

Una vez instalada y conectada al suministro de alimentación, inicie el proceso de calibración (se trata de nuestra *Tecnología de rendimiento garantizado* para una circulación máxima del aire . Antes de empezar el proceso de calibración, todos los filtros, bombillas y tubos deben de estar instalados.

PROCESO DE CALIBRACIÓN

Presione el botón de calibración durante 3 segundos; el botón se iluminará y permanecerá iluminado hasta 13 minutos. El ventilador se pondrá en marcha y empieza el proceso de calibración. Cuando haya terminado la calibración, se producirá una de estas dos situaciones:

A El ventilador y la luz del botón de calibración se apagan, lo cual significa que la calibración se ha realizado satisfactoriamente.

B El ventilador se apaga y la luz del botón de calibración parpadea constantemente, lo cual significa que los conductos instalados impiden que el ventilador IQ™ logre una circulación máxima del aire.

El ventilador se sitúa automáticamente en su intensidad máxima.

Nota: Entre los factores habituales que restringen la circulación del aire están los siguientes: solapa del regulador de aire esta restringida (del regulador de aire, tapa de pared, tapa de teja), demasiados codos, tamaño de los conductos inferior al 80 % de lo que requiere la campana, mala transición, uso de conductos flexibles o aplastados.

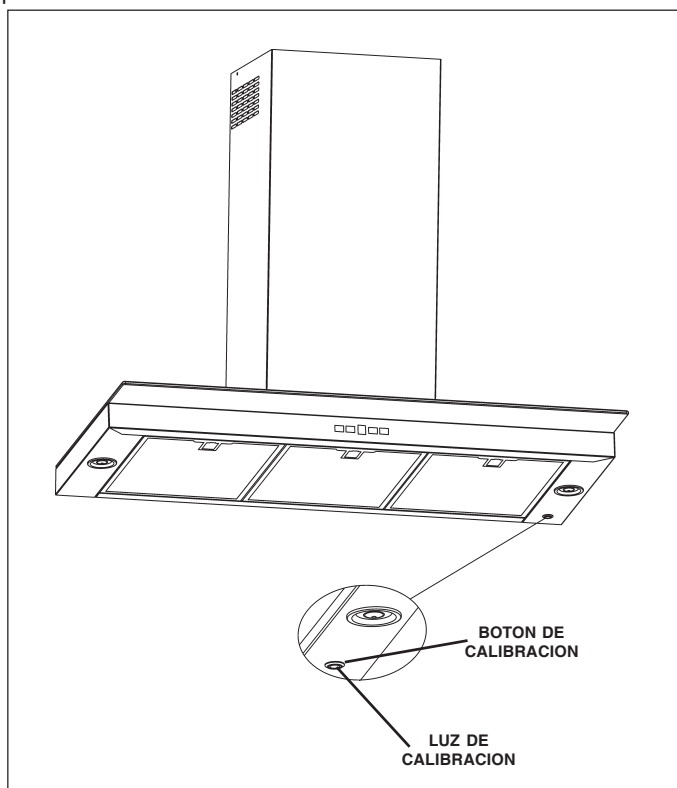
Existen dos opciones:

1. Presione el botón de calibración para aceptar la corriente de aire tal cual. De este modo, el ventilador IQ™ queda configurado a su máxima intensidad. La luz de calibración dejará de parpadear.

2. Corrija la instalación de conductos que restringe la circulación del aire y repita el proceso de calibración.

a. Para suprimir los datos de la calibración original, mantenga presionado el botón de calibración durante 10 segundos. La luz parpadeará 3 veces en señal de confirmación y el ventilador volverá a la configuración predeterminada.

b. Repita el proceso de calibración.



PROCEDIMIENTO DE MODO DE PROGRAMACIÓN WC44E

Procedimiento de modo de programación WC44E

La campana de cocina está diseñada para trabajar con diferentes modelos de motores extractores. Antes de utilizar la campana, el control deberá ser programado para su modelo de extractor, para poder adquirir la velocidad de operación apropiada:

1. Encuentre el número de SETUP que corresponde a su modelo de extractor que está instalado con su campana de cocina.
2. Su campana debe estar alimentada pero las luces y extractor deben de estar apagados.
3. Presione simultáneamente el botón de LIGHT y el botón de RESET por 5 segundos: la pantalla mostrará una "P" parpadeando 3 veces y después muestra alternando una "P" y el SETUP seleccionado.
4. Seleccione el SETUP deseado con el botón de BLOWER (3→2→1) o botón de RESET (1→2→3).
5. Presione el botón de TIMER para confirmar.
6. La ("P") parpadea en la pantalla 2 veces (2 seg. encendido – 0,5 seg. apagado) guardando la selección de SETUP.

Descripción de "Nivel de Velocidad"

Setup 1 es para motores con clasificación hasta 3.0 amp

Setup 2 es para motores con clasificación entre 3.1 amp y 5.0 amp

Setup 2 es para motores con rango mayor a 5.1 amp

SETUP 1	SETUP 2	SETUP 3
EB6	EB12	EB9
ILB3	EB15	ILB11
ILB6	ILB9	

GARANTIA

GARANTIA BEST POR UN AÑO

Broan-NuTone LLC (Broan-NuTone) garantiza al consumidor-comprador de sus productos BEST que dichos productos no tendrán defectos en los materiales o fabricación, durante un periodo de un año a partir de la fecha de la compra. NO HAY OTRO TIPO DE GARANTIAS QUE INCLUYAN O SE LIMITEN EXCLUSIVAMENTE A GARANTIAS IMPLICITAS O DE CAPACIDAD COMERCIAL O CONVENIENCIA PARA UN PROPOSITO ESPECIFICO.

Durante el periodo de un año, Broan-NuTone, si lo estima conveniente, reparará o reemplazará sin gastos para el usuario cualquier producto o parte de éste que sea defectuosos habiéndose usado correctamente.

ESTA GARANTIA NO CUBRE: ESTARTER DE NEON, NEON, LÁMPARAS HALÓGENAS, LÁMPARAS DE ILUMINACIÓN, FUSIBLE, FILTROS, CONDUCTOS, TAPAS DE TECHO, TAPAS DE PARED Y OTROS ACCESORIOS PARA LOS CONDUCTOS. Tampoco cubre el mantenimiento ni los productos o partes de éstos que hayan sido usados de forma incorrecta, con negligencia, rotos accidentalmente o por una incorrecta manutención ó reparación (distinta da la realizada por Broan-NuTone), montaje incorrecto ó instalación que no se ajuste a las instrucciones de montaje indicadas.

La duración de la garantía se limita al periodo de un año como está especificado en la garantía explícita. Algunos países no permiten un límite en la duración de la garantía implícita; si es así en su caso, esta limitación arriba indicada podría no aplicarse.

LA PRESENTE GARANTIA CUBRIRA EXCLUSIVAMENTE AL COMPRADOR LOS SERVICIOS DESCRITOS ANTERIORMENTE. BROAN-NUTONE NO SE HACE RESPONSABLE DE DANOS PRODUCIDOS DE MANERA ACCIDENTAL O RELACIONADOS CON EL USO INCORRECTO DEL PRODUCTO O SU FUNCIONAMIENTO.

Algunos países no permiten la exclusión o limitación de los daños producidos de manera accidental, si es así en su caso, esta limitación arriba indicada podría no aplicarse. Esta garantía le da derechos legales específicos y podría también disponer de otros derechos que varían de país a país.

Esta garantía supera otras garantías dadas con anterioridad. Para disfrutar de la garantía usted deberá (a) Avisar a la dirección abajo indicada ó bien llamar por teléfono (b) Dar el número de serie del modelo correspondiente o bien una descripción de la parte averiada, (c) Descripción del defecto en el producto o bien en una de sus partes. Para requerir un servicio en garantía debe presentar el justificante con la fecha de la compra.

In USA - Best®, 926 W. State Street, Hartford, WI 53027 (800-558-1711)

In Canada - Best®, 550 Lemire Blvd., Drummondville, QC J2C 7W9 (866-737-7770)

www.BestRangeHoods.com

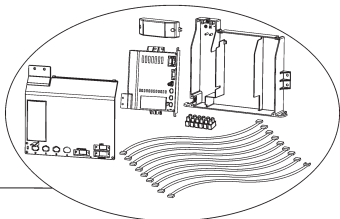
PIEZAS DE REPUESTO

MODELO WC44IQ

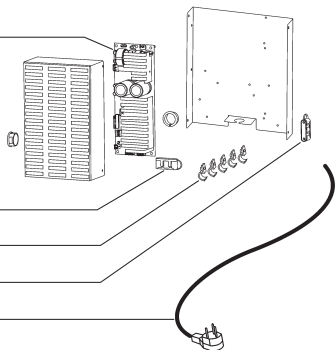
N°	PIEZA N°	DESCRIPCIÓN
9	B08087958	Filtros de grasa
37	B02300804	Sensor de temperatura
60	B02300249	Cable de alimentación
67	B06102615	Ensamble de cables
76	B02005322	Vidrio
114	B032904990	Abrazadera de cables
202	B03292290	Abrazadera de cables
439	B02320034	Ojal
474	B08093413	Lampara Led
485	B08016375	Ensamble de chimenea decorativa
506	97019430	BLDC Driver
507	B06102584	Ensamble de boton de calibración
*	B080810993	Equipo de Ajuste (Incluye N° 120)
AQI	B06102632	Ensamble de la caja de interruptores
ARU	B08081849	Conector del tubo 8"
IME	B06145222	Ensamble de instalación electrica
CAS	B06002259	Ensamble de extractor
ANKWC345	B08999175	Kit sin conductos (Incluye N° 58, 86, 122, 503)
58	B03294170	Reducción de salida
64	B08093477	Marco de filtro sin conducto
86	B03292300	Brida de salida
122	B08093478	Elevador
503	B02011557	Conducto expandible
AFCWC345	B08999176	Filtros de recirculación sin conducto

* No se muestra ensamblado.

IME



506



202

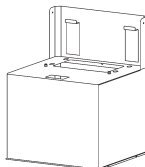
114

202

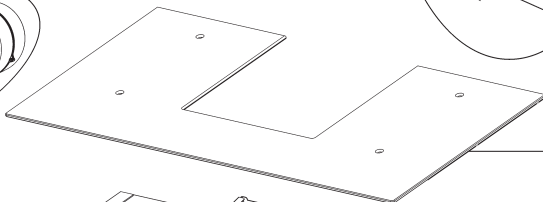
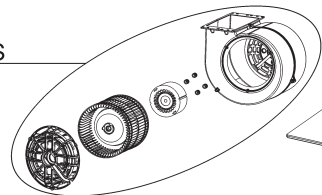
60

ARU

67

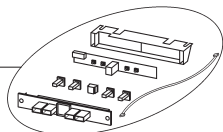


CAS



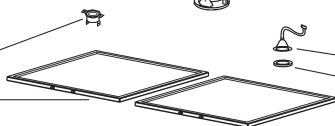
76

AQI

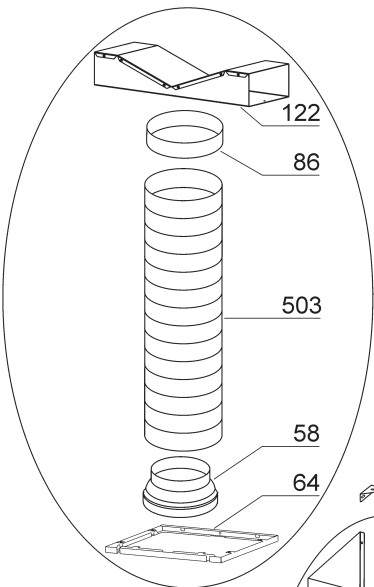


37

9



ANKWC345



122

86

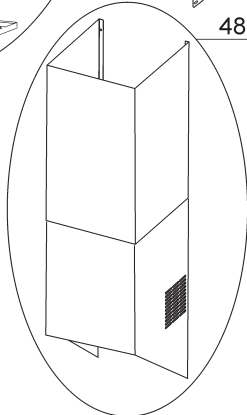
503

58

64

120

485



474

507

439

PIEZAS DE REPUESTO

MODELO WC44E

N°	PIEZA N°	DESCRIPCIÓN
9	B08087958	Filtros de grasa
37	B02300804	Sensor de temperatura
60	B02300249	Cable de alimentación
67	B06102616	Ensamble de cables
76	B02005322	Vidrio
114	B032904990	Abrazadera de cables
115	BE3350233	Caja de alimentación eléctrica
116	BE3334252	Tapa de caja de alimentación eléctrica
202	B03292290	Abrazadera de cables
415	B03292288	Guía de cables
474	B08093413	Lampara Led
485	B08016375	Ensamble de chimenea decorativa
*	B080810993	Equipo de Ajuste (Incluye N° 120)
AQI	B06102633	Ensamble de la caja de interruptores
ARU	B08081849	Conector del tubo 8"
IME	B06145223	Ensamble de instalación eléctrica

* No se muestra ensamblado.

