



Ample 30" deep design to handle heat and size of outdoor grills. Optional 3" wall extension for even greater coverage without expensive wall accommodations.

UL listed for use in damp locations.

Design allows choice of blowers, either internal or external, for the perfect blend of performance and quiet.

Convenient ON/OFF switch remembers the last blower setting.

Heat Sentry™ detects excessive heat and adjusts speed to high automatically.

Variable-speed control resists the effects of heat and moisture.

**Model Numbers:**

WPD39M36SB

WPD39M48SB

WPD39M60SB



Patent-pending V-Baffle design directs grease to an easy-to-remove tray.



Halogen lamps provide brilliant cooktop lighting. 2 on 36"—3 on 48" and 60" width hoods.



A variable-speed rotary control enables infinite blower speed adjustment.



**Hood Sizes**

<b>Widths</b>	<b>36", 48", 60"</b>
<b>Depths</b>	<b>30" (33" with Optional 3" Wall Extension)</b>

**Finish**

Stocked	Corrosion Resistant Grade Stainless Steel
Special Order	Not Available

**Features**

Lighting Type	Halogen, MR16; GU10-50W
Number of Lamps	2 on 36"   3 on 48" and 60"
Lighting Levels	2
Lighting Lamps Included	Yes
Control Type	Variable-Speed, Rotary, Illuminated ON/OFF with Last Memory Setting
Control Features	Heat Sentry™
Remote Control	Not Available
Filter Type	304 Stainless Steel Baffle Filters
Grease Tray and Rail	Non-stick
Non-ducted Capability	No

**Hood Blower Options** (Must choose one blower sold separately)

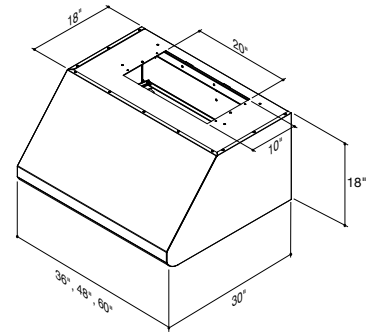
Internal	P12	
Blower CFM	1200	
Sones Low/High	2.25/12.0	
External In-line	ILB11	
Max CFM	1100	
Sone levels are typically half of comparable CFM internal blowers.		
External Exterior	EB12	EB15
Max CFM	1200	1500
Sone levels are typically half of comparable CFM internal blowers.		

**Installation Requirements**

Amps @ 120V	6.4 Max
Electrical	Direct Wire
Duct Size: Internal Blower	10"
Duct Direction	Vertical
Backdraft Damper	Not Included

**Accessories**

Flue Cover (Standard Depth)	<b>6"</b> AEWPD36SB <b>18"</b> AEWPD318SB <b>30"</b> AEWPD330SB <b>30-54"</b> AEWPD3054SB
Flue Cover (Extended Depth)	<b>6"</b> AEWPD36SBE <b>18"</b> AEWPD318SBE <b>30"</b> AEWPD330SBE <b>30-54"</b> AEWPD3054SBE
Backsplash (36" and 48" only)	<b>36"</b> ABWPD36SB <b>48"</b> ABWPD48SB
3" Wall Extension	Adds 3" to depth of hood <b>36"</b> AWWPD336SB <b>48"</b> AWWPD348SB <b>60"</b> AWWPD360SB

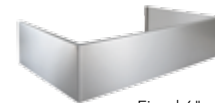


Installation height above the cooking surface: 36"

For more details see the product specifications sheet found at [www.BESTRangeHoods.com](http://www.BESTRangeHoods.com)

**Standard and Extended Depth Flue Covers**

Corrosion resistant flue covers in professional grade stainless steel attach to the top of the range hood shell. Available in 6", 18", 30" and 30-54" telescopic heights. Deeper flues are available for hoods using the 3" wall extension.



Fixed 6" = 8' ceiling  
Fixed 18" = 9' ceiling  
Fixed 30" = 10' ceiling  
Telescopic 30-54" = 10-12' ceiling