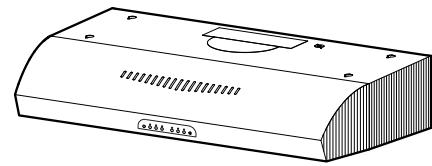


EVOLUTION™ 2 QP2 Series Range Hoods



READ AND SAVE THESE INSTRUCTIONS

FOR DOMESTIC COOKING ONLY

WARNING

TO REDUCE THE RISK OF FIRE, ELECTRIC SHOCK, OR INJURY TO PERSONS, OBSERVE THE FOLLOWING:

1. Use this unit only in the manner intended by the manufacturer. If you have questions, contact the manufacturer at the address or telephone number listed in the warranty.
2. Before servicing or cleaning unit, switch power off at service panel and lock the service disconnecting means to prevent power from being switched on accidentally. When the service disconnecting means cannot be locked, securely fasten a prominent warning device, such as a tag, to the service panel.
3. Installation work and electrical wiring must be done by a qualified person(s) in accordance with all applicable codes and standards, including fire-rated construction.
4. Sufficient air is needed for proper combustion and exhausting of gases through the flue (chimney) of fuel burning equipment to prevent backdrafting. Follow the heating equipment manufacturer's guideline and safety standards such as those published by the National Fire Protection Association (NFPA), and the American Society of Heating, Refrigeration and Air Conditioning Engineers (ASHRAE), and the local code authorities.
5. This product may have sharp edges. Be careful to avoid cuts and abrasions during installation and cleaning.
6. When cutting or drilling into wall or ceiling, do not damage electrical wiring and other hidden utilities.
7. Ducted fans must always be vented to the outdoors.
8. Use only metal ductwork.
9. Do not use this fan with any solid-state speed control device.
10. As an alternative, this product may be installed with the UL-approved cord kit designated for the product, following instructions packed with the cord kit.
11. This unit must be grounded.

TO REDUCE THE RISK OF A RANGE TOP GREASE FIRE:

1. Never leave surface units unattended at high settings. Boilovers cause smoking and greasy spillovers that may ignite. Heat oils slowly on low or medium settings.
2. Always turn hood ON when cooking at high heat or when flambéing food (i.e. Crepes Suzette, Cherries Jubilee, Peppercorn Beef Flambé).
3. Clean ventilating fans frequently. Grease should not be allowed to accumulate on fan or filter.
4. Use proper pan size. Always use cookware appropriate for the size of the surface element.

TO REDUCE THE RISK OF INJURY TO PERSONS IN THE EVENT OF A RANGE TOP GREASE FIRE, OBSERVE THE FOLLOWING:*

1. SMOTHER FLAMES with a close-fitting lid, cookie sheet, or metal tray, then turn off the burner. BE CAREFUL TO PREVENT BURNS. If the flames do not go out immediately, EVACUATE AND CALL THE FIRE DEPARTMENT.

WARNING

2. NEVER PICK UP A FLAMING PAN — You may be burned or spread the fire.
 3. DO NOT USE WATER, including wet dishcloths or towels - a violent steam explosion will result.
 4. Use an extinguisher ONLY if:
 - A. You know you have a Class ABC extinguisher, and you already know how to operate it.
 - B. The fire is small and contained in the area where it started.
 - C. The fire department is being called.
 - D. You can fight the fire with your back to an exit.
- * Based on "Kitchen Firesafety Tips" published by NFPA.

CAUTION

1. For indoor use only.
2. For general ventilating use only. Do not use to exhaust hazardous or explosive materials and vapors.
3. To avoid motor bearing damage and noisy and/or unbalanced impeller, keep drywall spray, construction dust, etc., off power unit.
4. Do not use over cooking equipment greater than 60,000 BTU/hr. as the blower motor will shut down intermittantly.
5. Your hood motor has a thermal overload which will automatically shut off the motor if it becomes overheated. The motor will restart when it cools down. If the motor continues to shut off and restart, have the hood serviced.
6. The top of the hood MUST NOT BE LESS than 24" and at a maximum of 30" above cooktop for best capture of cooking impurities.
7. This hood is not intended to be used as a shelf.
8. Please read specification label on product for further information and requirements.

NOTE If hood is to be installed non-ducted:

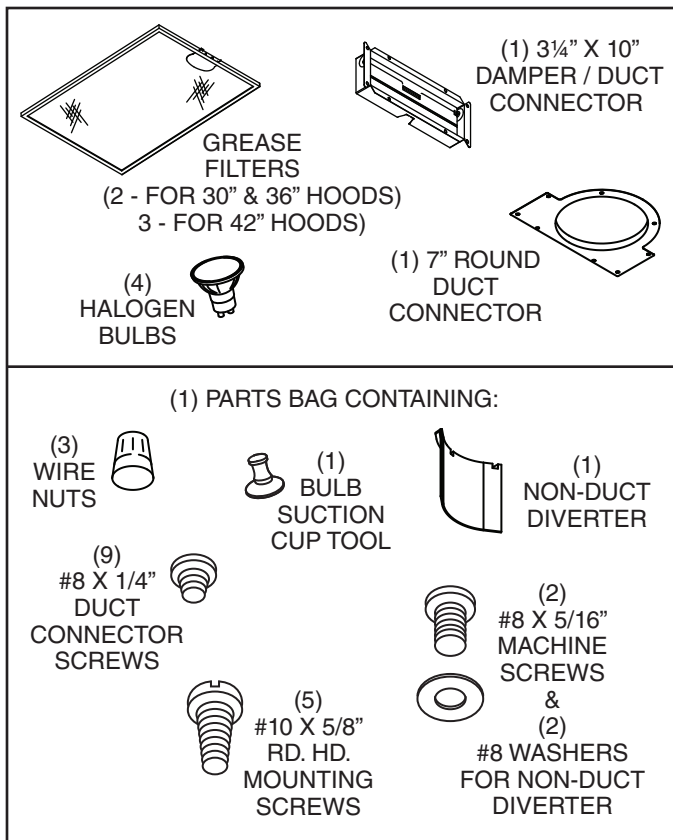
Purchase a set of (2) non-ducted filters for 30" wide hoods (Model BPPF30) & 36" wide hoods (Model BPPF36) or a set of (3) non-ducted filters for 42" wide hoods (Model BPPF42) from your local distributor or retailer and attach them to the aluminum mesh filters.

Register your product online at: www.broan.com

**Installer: Leave this manual
with the homeowner.
Homeowner: Cleaning, Maintenance and
Operating instructions on page 2.**

CONTENTS

INCLUDED WITH THE HOOD:



CLEANING & MAINTENANCE

For performance, appearance, and health reasons, clean filter, fan and grease-laden surfaces. Use **only** a clean cloth and mild detergent solution on stainless and painted surfaces.

Clean all-metal filters in the dishwasher using a non-phosphate detergent. Discoloration of the filter may occur if using phosphate detergents, or as a result of local water conditions - but this will not affect filter performance. This discoloration is not covered by the warranty.

Clean the non-duct recirculating filter surfaces frequently with a damp cloth and a mild detergent. DO NOT immerse filters in water or put in dishwasher. The special "Clean Sense" feature indicates when the filter is to be replaced. The blue and yellow strips will blend to green when it is time to change the filter. The "Clean Sense" feature works best when facing toward the cooking surface. Change the non-duct recirculating filters every 6 months. For replacement non-duct recirculating filters - purchase S99010353 or Model BPPF30 for 30 wide hoods, S99010354 or Model BPPF36 for 36" wide hoods, or S99010360 or Model BPPF42 for 42" wide hoods.

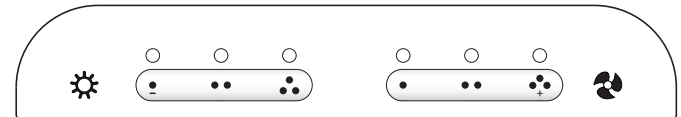
The motor is permanently lubricated and never needs oiling. If the motor bearings make excessive or unusual noise, replace the motor with the exact service motor. The impeller should also be replaced.

Use 120 V, 50 W, shielded halogen bulbs - MR16 with GU10 base.

OPERATION

Always turn the hood ON before cooking in order to establish an air flow in the kitchen. After turning off the range, let the hood run for a few minutes to clear the air.

Operate the hood as follows:



LIGHT (3 pushbutton switches)

- Turns light on to LOW setting.
- Turns light on to MEDIUM setting.
- Turns light on to HIGH setting.

Pressing the same light button again will turn lights OFF. A light above each button indicates light setting.

FAN (3 pushbutton switches)

- Turns fan on to LOW speed.
- Turns fan on to MEDIUM speed.
- Turns fan on to HIGH speed.

Pressing the same fan button again will turn fan OFF. A light above each button indicates fan speed.

NOTE

This hood utilizes an offset blower design to achieve greater performance and lower sound levels. As a result, you may notice that cooking impurities are more attracted to one side or appear to be pulled-in faster than they appear on the opposite side. This is completely normal. The hood has been designed and tested to provide good capture of cooking impurities and odors under all normal cooking conditions regardless of the cooking location on the cooktop. Please note that cooking on the rear burners will always result in the best capture of cooking impurities, regardless of the hood design.

HEAT SENTRY SYSTEM

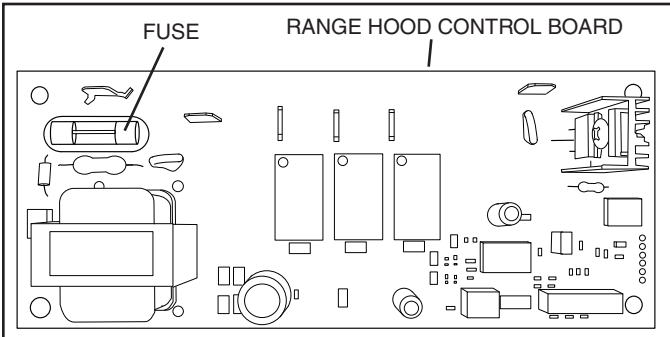
This range hood is equipped with an advanced Heat Sentry system that monitors for excessive temperature and automatically adjusts the fan to the appropriate setting.

1) **If the fan is on**, the Heat Sentry system will increase the fan setting when the temperature is elevated. If the temperature continues to rise, the Heat Sentry system will continue to increase the fan setting until the temperature is stabilized or reduced. The flashing light above the fan button shows the Heat Sentry system fan setting. Once the temperature has reduced, the Heat Sentry system will change the fan to the original setting.

2) **If the fan is off**, the Heat Sentry system will automatically turn the fan on to its highest speed when the temperature is above normal. When the Heat Sentry system is on, the light above the high speed fan button will flash on and off. After the temperature has lowered to normal, the fan speed will be reduced until the temperature has stabilized, then the fan will turn off.

Note: Canadian version does not have this function.

FUSE



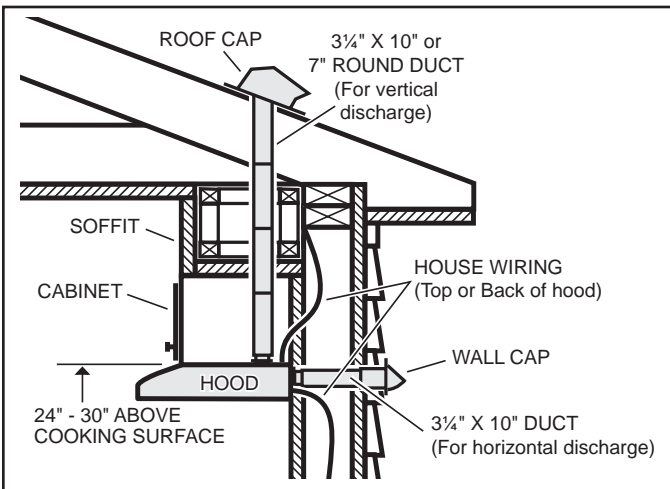
The **Range Hood Control Board** contains a **Fuse** to protect the controls from power surges. If the fuse has opened (blown), the green fan setting or light setting indicators will not operate properly when the fan or light buttons are pressed, and the fan and lights will not turn on.

A new fuse can be purchased at your local electronic supply store. Use an 8A, 120V, 5 mm diameter, 20 mm long, fast-acting, cartridge-type fuse.

To replace the fuse (by qualified person(s)):

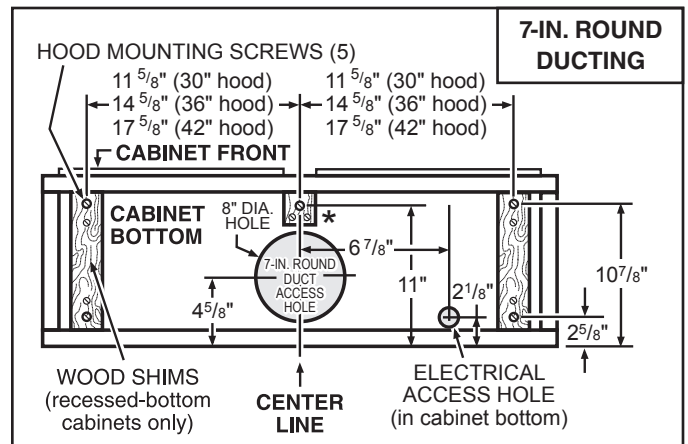
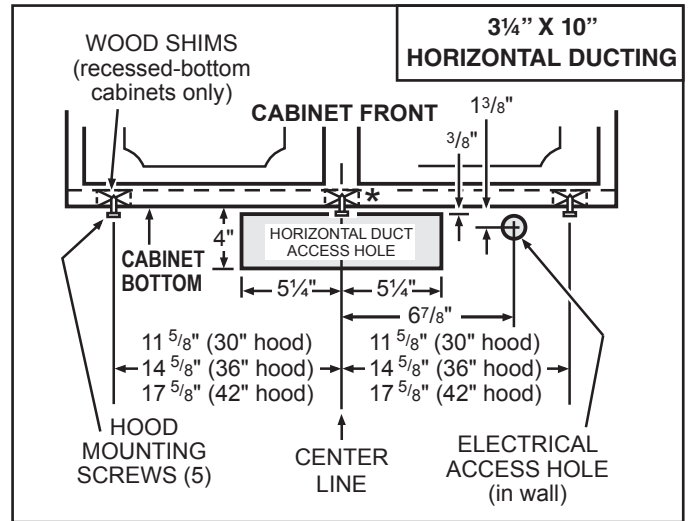
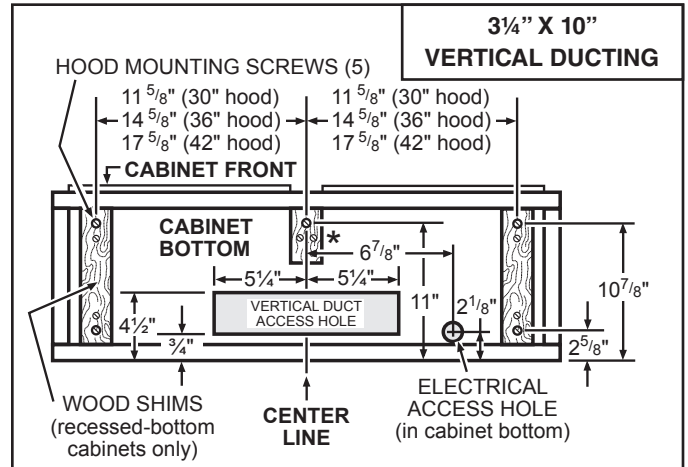
1. Disconnect power at service entrance.
2. Remove filters and bottom pan.
3. Remove and inspect fuse. If it is not open (blown), additional diagnostics are needed.

PREPARE HOOD LOCATION



- 1 Determine whether hood will discharge vertically (3 1/4" x 10" or 7" Round), or horizontally (3 1/4" x 10" only). For vertical or horizontal discharge, run ductwork between the hood location and a roof cap or wall cap. For best results, use a minimum number of transitions and elbows.

- 2 Use the proper diagram below, for placement of ductwork and electrical cutout in cabinet or wall. For a non-ducted installation, DO NOT cut a duct access hole.



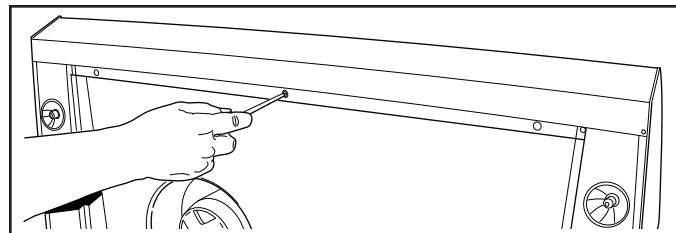
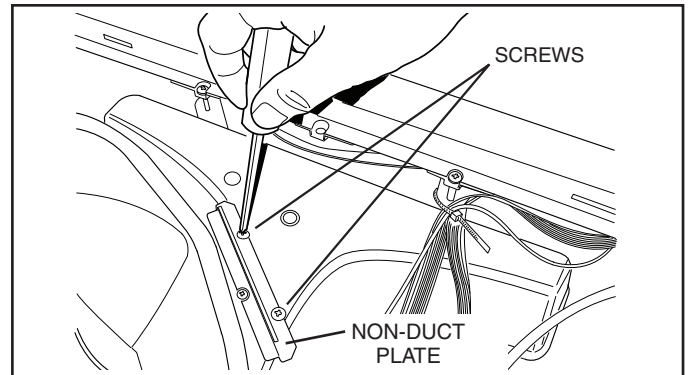
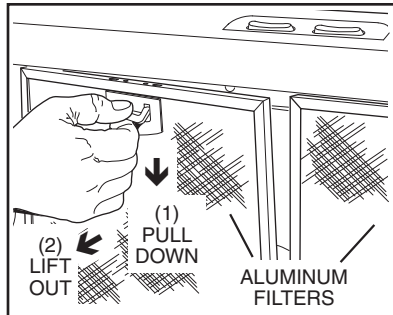
* Note the extra wood shim and mounting screw near the cabinet front, on the cabinet center line.

PREPARE THE HOOD

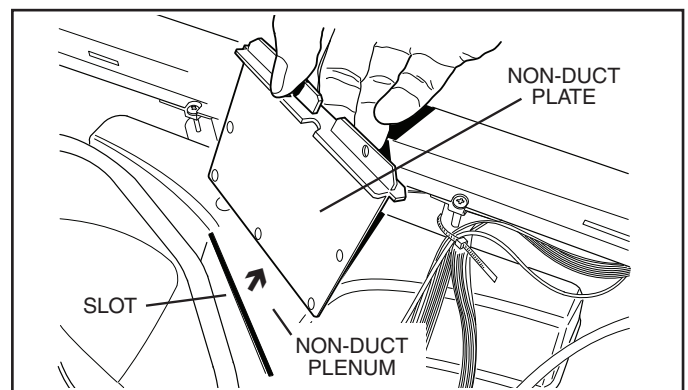
3 Remove parts bag from the hardware box included with the hood.

4 Remove all protective polyfilm from the hood (stainless steel hoods only).

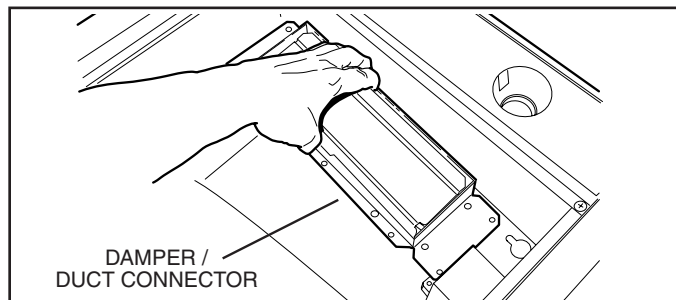
5 Remove the **Aluminum Filters** from the hood.



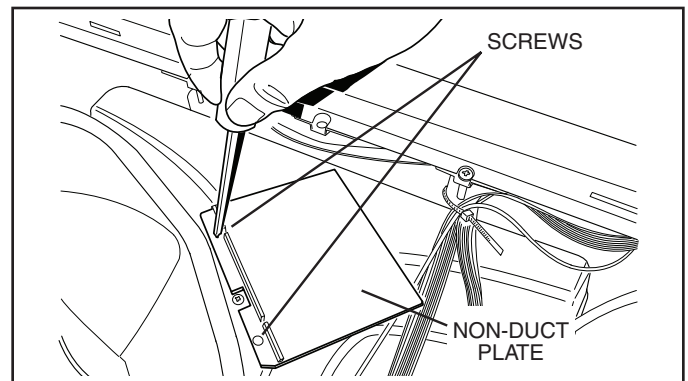
6 Remove 6 **Screws** holding **Bottom Pan** to hood. Set bottom pan and screws aside.



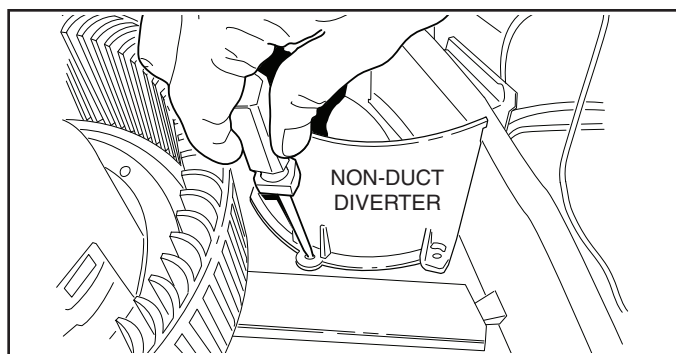
9 **NON-DUCTED INSTALLATION ONLY:** Remove 2 **Screws** holding **Non-Duct Plate** to **Non-Duct Plenum** and remove plate.



7 Remove 2 **Screws** holding **Damper / Duct Connector** to hood. Remove damper/duct connector from inside the hood.



10 **NON-DUCTED INSTALLATION ONLY:** Insert short end of **Non-Duct Plate** into Non-Duct Plenum **Slot**. Attach with 2 **Screws** removed in Step 9.



11 **NON-DUCTED INSTALLATION ONLY:** Purchase a set of (2) non-ducted filters for 30" wide hoods (Model BPPF30) & 36" wide hoods (Model BPPF36) or a set of (3) non-ducted filters for 42" wide hoods (Model BPPF42) from your local distributor or retailer. Attach the non-ducted filters to the aluminum mesh filters following instructions packed with the non-ducted filters.

8 **NON-DUCTED INSTALLATION ONLY:** From parts bag: Attach **Non-Duct Diverter** to **Air Box** with 2 **Screws** and 2 **Washers**.

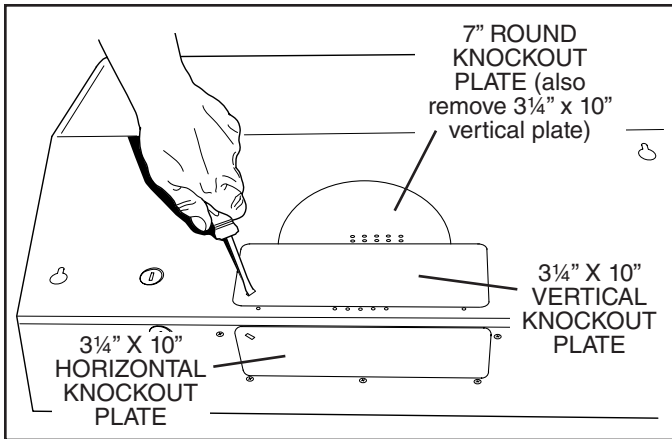
FOR NON-DUCTED INSTALLATIONS - Skip to "INSTALL THE HOOD"

INSTALL THE HOOD

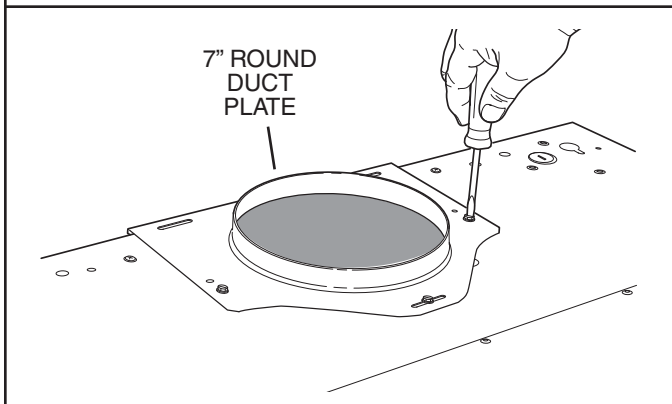
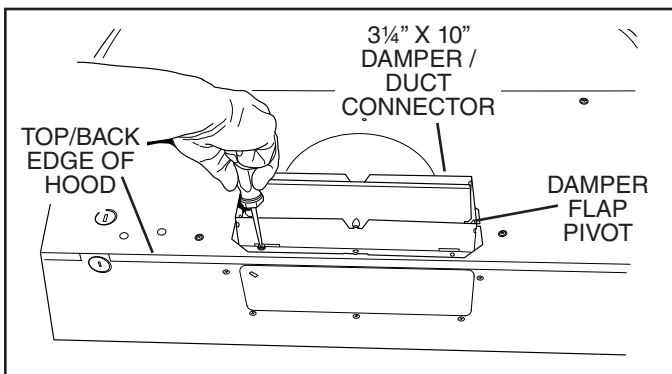


WARNING

To reduce the risk of electrical shock, switch power off at service panel. Lock or tag service panel to prevent power from being switched on accidentally.



- 12 DUCTED INSTALLATION ONLY:**
 Remove 3¼" x 10" vertical, 3¼" x 10" horizontal, or 7-inch round **knockout plate(s)** as appropriate for your ducting method.

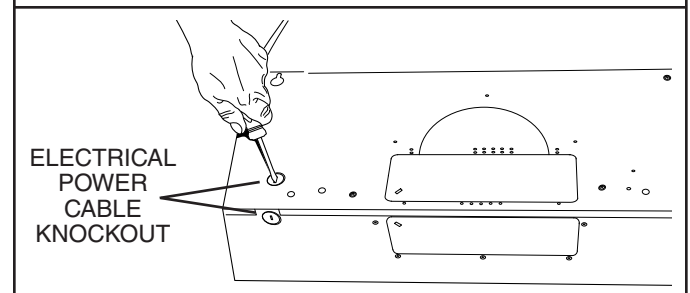
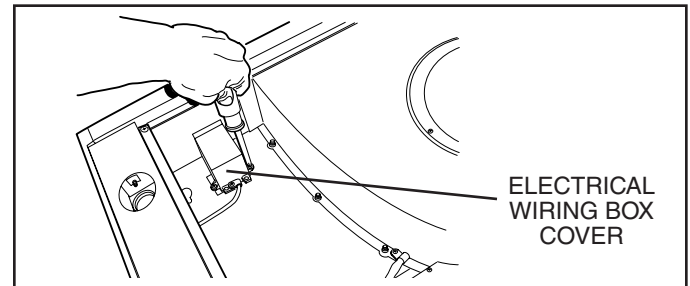


- 13 DUCTED INSTALLATION ONLY:**
 Attach 3¼" x 10" **Damper/Duct Connector** (if using 3¼" x 10" duct) or **7" Round Duct Plate** (if using 7-inch round duct) over the knockout opening.

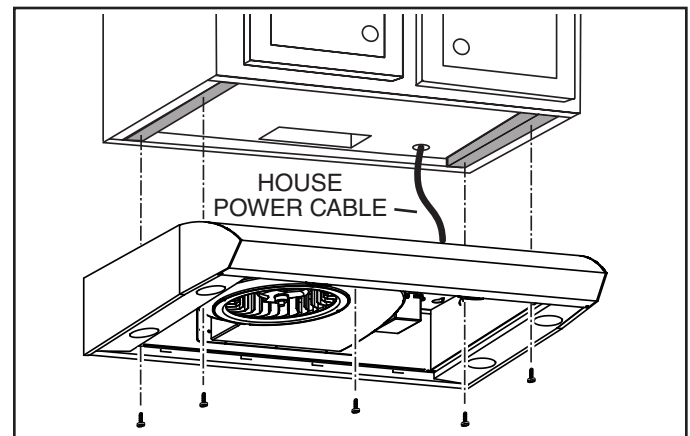
Notes:

To accommodate off-center ductwork, the 3¼" x 10" damper/duct connector can be installed up to ½" on either side of the hood center and the 7" round duct plate can be installed up to ½" on either side of the hood center.

Install the 3¼" x 10" Damper/Duct Connector with the **Damper Flap Pivot** nearest the **Top/Back Edge of Hood**.



- 14** Remove **Electrical Wiring Box Cover** from inside of hood and appropriate **Electrical Power Cable Knockout** from top or back of hood.

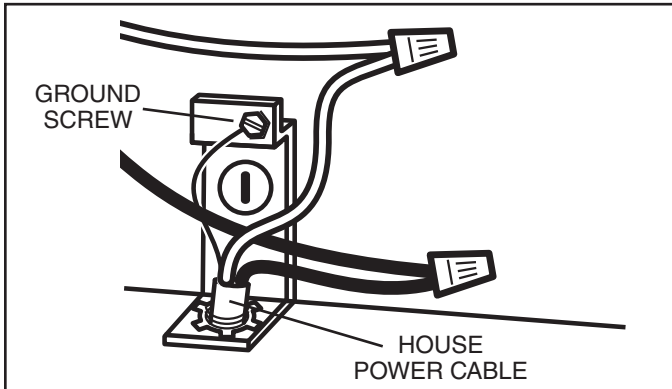


- 15** Run **House Power Cable** between service panel and hood location. Attach power cable to hood using appropriate clamp.

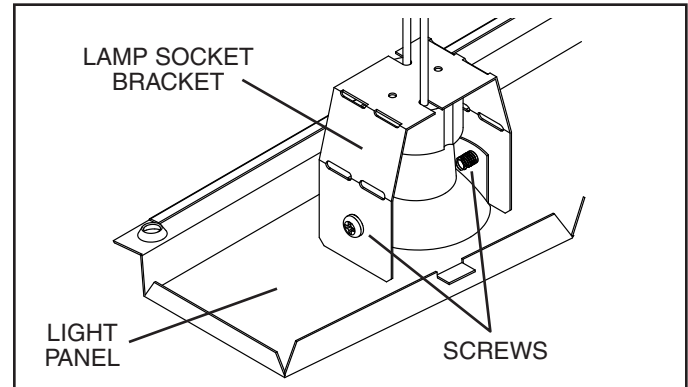
- 16** Hang hood from (4) mounting screws driven part-way into cabinet locations (shown in illustrations under "PREPARE HOOD LOCATION"). Mounting screws are included in parts bag. Slide hood back towards wall until mounting screw heads are engaged in narrow end of keyhole slots in top of hood. Tighten screws securely. Add 5th mounting screw in center hole in hood and tighten securely.

- 17 DUCTED INSTALLATION ONLY:**
 Connect ductwork to hood and use duct tape to make joints secure and air-tight. Make sure the damper / duct connector enters the ductwork and that the damper opens and closes freely.

CONNECT THE WIRING

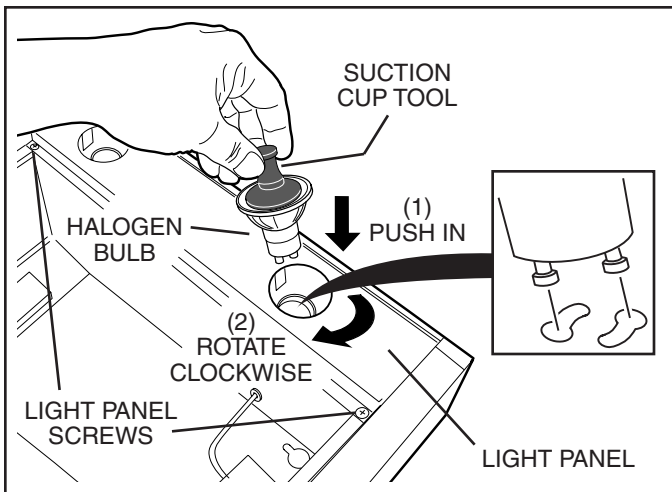


- 18** Connect **House Power Cable** to range hood wiring - BLACK to BLACK, WHITE to WHITE, and GREEN or BARE WIRE to **Ground Screw**. Replace electrical wiring box cover.
- 19** Re-attach **Bottom Pan** with 6 **Screws** removed in Step 6.



- To change the depth of bulb sockets:
- Remove bottom pan (See Step 6).
 - Remove 2 **Light Panel Screws** and **Light Panel**. Set screws aside.
 - Loosen 2 **Screws** holding **Lamp Socket Bracket** to **Light Panel**.
 - Adjust socket/bracket to desired depth.
 - Re-tighten screws securely.
 - Re-attach light panel and bottom pan.

INSTALL LIGHT BULBS



CAUTION: Bulbs may be hot. Refer to bulb packaging for further information.

- 20** Install (4) **Halogen Bulbs** (included with hood). Use 120 V, 50 W, shielded halogen bulbs - MR16 with GU10 base.
- NOTE: **Suction Cup Tool** (included with hood) can be used to install and remove light bulbs.

Align pins on bulb with large diameter opening on socket, then push bulb in towards hood and rotate clockwise until firmly seated.

The position of the bulb socket (depth) is adjustable and may require adjustment when:

- a) certain brands of bulbs are difficult to install.
- b) the bulb protrudes too far below the light panel.

- 21** **DUCTED INSTALLATION ONLY:**
 Re-install aluminum filters removed in Step 5.

NON-DUCTED INSTALLATION ONLY:
 Install aluminum filters and non-ducted filters - purchased and assembled in Step 11.

WARRANTY

One Year Limited Warranty

Broan-NuTone warrants to the original consumer purchaser of its products that such products will be free from defects in materials or workmanship for a period of one (1) year from the date of original purchase. THERE ARE NO OTHER WARRANTIES, EXPRESS OR IMPLIED, INCLUDING, BUT NOT LIMITED TO, IMPLIED WARRANTIES OF MERCHANTABILITY OR FITNESS FOR A PARTICULAR PURPOSE.

During this one year period, Broan-NuTone will, at its option, repair or replace, without charge, any product or part which is found to be defective under normal use and service. THIS WARRANTY DOES NOT EXTEND TO FLUORESCENT LAMP STARTERS, TUBES, HALOGEN AND INCANDESCENT BULBS, FUSES, FILTERS, DUCTS, ROOF CAPS, WALL CAPS AND OTHER ACCESSORIES FOR DUCTING. This warranty does not cover (a) normal maintenance and service or (b) any products or parts which have been subject to misuse, negligence, accident, improper maintenance or repair (other than by Broan-NuTone), faulty installation or installation contrary to recommended installation instructions.

The duration of any implied warranty is limited to the one year period as specified for the express warranty. Some states do not allow limitation on how long an implied warranty lasts, so the above limitation may not apply to you.

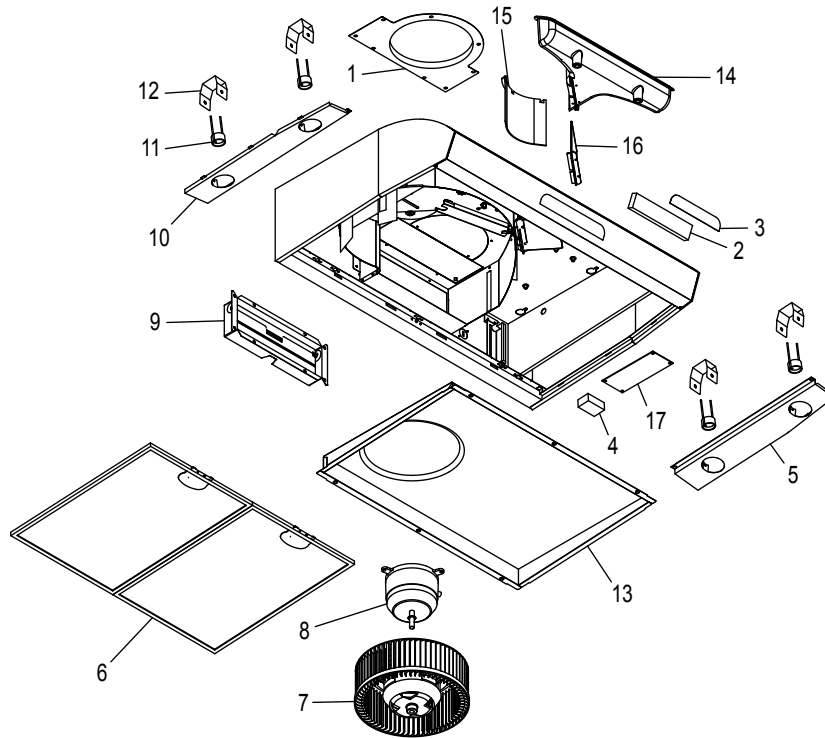
BROAN-NUTONE'S OBLIGATION TO REPAIR OR REPLACE, AT BROAN-NUTONE'S OPTION, SHALL BE THE PURCHASER'S SOLE AND EXCLUSIVE REMEDY UNDER THIS WARRANTY. BROAN-NUTONE SHALL NOT BE LIABLE FOR INCIDENTAL, CONSEQUENTIAL OR SPECIAL DAMAGES ARISING OUT OF OR IN CONNECTION WITH PRODUCT USE OR PERFORMANCE. Some states do not allow the exclusion or limitation of incidental or consequential damages, so the above limitation or exclusion may not apply to you. This warranty gives you specific legal rights, and you may also have other rights, which vary from state to state. This warranty supersedes all prior warranties.

To qualify for warranty service, you must (a) notify Broan-NuTone at the address or telephone number below, (b) give the model number and part identification and (c) describe the nature of any defect in the product or part. At the time of requesting warranty service, you must present evidence of the original purchase date.

Broan-NuTone LLC, 926 W. State Street, Hartford, Wisconsin 53027
 www.broan.com 800-558-1711

Broan-NuTone Canada, Inc., 1140 Tristar Drive, Mississauga, Ontario Canada L5T 1H9
 www.broan.ca 877-896-1119 Rev. 08/2007

SERVICE PARTS

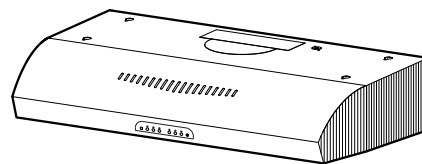


KEY NO.	PART NO.	DESCRIPTION
1	97017727	7" Round Duct Plate (includes mounting hardware)
2	97018245	User Interface Assembly White (includes interface, nameplate, mounting hardware)
	97018246	User Interface Assembly Black (includes interface, nameplate, mounting hardware)
	97018247	User Interface Assembly Bisque (includes interface, nameplate, mounting hardware)
3	99528248	Nameplate, White
	99528249	Nameplate, Black
	99528250	Nameplate, Bisque
4	97018251	Capacitor Kit (includes wire nuts, mounting screw)
5	97018225	Light Panel RH White (includes mounting hardware)
	97018226	Light Panel RH Black (includes mounting hardware)
	97018227	Light Panel RH Stainless (includes mounting hardware)
	97018228	Light Panel RH Bisque (includes mounting hardware)
6	97018202	Filter Kit for 30" (2 per bag)
	97018203	Filter Kit for 36" (2 per bag)
	97018204	Filter Kit for 42" (3 per bag)
7	97018220	Blower Wheel (includes mounting nut)
8	97018222	Motor Kit (includes motor, isolators, mounting hardware)
9	97017728	Damper / Duct Connector (includes mounting hardware)
10	97018229	Light Panel LH White (includes mounting hardware)
	97018230	Light Panel LH Black (includes mounting hardware)
	97018231	Light Panel LH Stainless (includes mounting hardware)
	97018232	Light Panel LH Bisque (includes mounting hardware)
11	97017731	Lamp Socket (includes lamp socket, wire nuts, mounting screws)
12	97018233	Lamp Socket Bracket
13	97018236	Bottom Pan 30" (includes mounting hardware)
	97018237	Bottom Pan 36" (includes mounting hardware)
	97018238	Bottom Pan 42" (includes mounting hardware)
14	97018242	Non-duct Plenum (includes gasket & mounting hardware)
15	97018243	Non-duct Diverter (includes mounting hardware)
16	97018244	Non-duct Plate (includes mounting hardware)
17	97018254	Circuit Board
Not Shown	97018224	Parts Bag
Not Shown	99010353	Non-Duct Filter Kit for 30" (2 charcoal filters and 8 filter clips)
	99010354	Non-Duct Filter Kit for 36" (2 charcoal filters and 8 filter clips)
	99010360	Non-Duct Filter Kit for 42" (3 charcoal filters and 12 filter clips)
Not Shown	99526707	Suction Cup Tool
Not Shown	97018252	Heat Sensor
Not Shown	97018253	Fuse
Not Shown	97018255	Ribbon Cable
Not Shown	V05921	50W Halogen GU10 Bulb

Order replacement parts by
PART NO. - not by KEY NO.

EVOLUTION™ 2

Hottes de cuisine de série QP2



LIRE CES DIRECTIVES ET LES CONSERVER



POUR USAGE DOMESTIQUE SEULEMENT



AVERTISSEMENT



AFIN DE DIMINUER LES RISQUES D'INCENDIE, D'ÉLECTROCUTION OU DE BLESSURES, SUIVEZ CES DIRECTIVES :

- N'utilisez cet appareil que de la manière prévue par le fabricant. Si vous avez des questions, communiquez avec le fabricant à l'adresse ou au numéro de téléphone indiqués dans la garantie.
- Avant de procéder à l'entretien ou au nettoyage de l'appareil, coupez l'alimentation du panneau électrique et verrouillez l'interrupteur principal afin d'empêcher que le courant ne soit accidentellement rétabli. S'il est impossible de verrouiller l'interrupteur principal, fixez solidement un message d'avertissement, par exemple une étiquette, sur le panneau électrique.
- La pose de l'appareil et les travaux d'électricité doivent être effectués par des personnes qualifiées conformément à la réglementation en vigueur, notamment les normes de construction ayant trait à la protection contre les incendies.
- Quantité suffisante d'air est nécessaire pour brûler les gaz produits par les appareils à combustion et les évacuer dans le conduit de fumée (cheminée). Respectez la ligne directrice du fabricant d'appareils de chauffage et les normes de sécurité, notamment celles publiées par la National Fire Protection Association (NFPA), l'American Society for Heating, Refrigeration and Air Conditioning Engineers (ASHRAE) et les codes des autorités locales.
- Ce produit peut comporter des arêtes tranchantes. Prenez garde aux coupures et aux éraflures lors de l'installation et du nettoyage.
- Veillez à ne pas endommager le câblage électrique ou d'autres équipements non apparents lors de la découpe ou du perçage du mur ou du plafond.
- Les ventilateurs canalisés doivent toujours rejeter l'air à l'extérieur.
- N'utilisez que des conduits métalliques.
- N'utilisez pas de commande de régime à semi-conducteurs avec ce ventilateur.
- Ce produit peut également être installé avec un ensemble de cordon électrique homologué UL de conception spéciale, en suivant les instructions accompagnant l'ensemble de cordon électrique.
- Cet appareil doit être relié à une mise à la terre.

POUR RÉDUIRE LES RISQUES D'INCENDIE CAUSÉS PAR DE LA GRAISSE SUR LE PLAN DE CUISSON :

- Ne laissez jamais les éléments de surface allumés à haute température. Les débordements peuvent causer de la fumée et occasionner des écoulements de graisse inflammables. L'huile doit être chauffée graduellement à basse ou à moyenne température.
- Mettez toujours la hotte en MARCHE lors de la cuisson à feu vif ou lors de la cuisson d'aliments à flamber (par ex., crêpes Suzette, cerises jubilé, bœuf au poivre flambé).
- Nettoyez souvent la hotte. Ne laissez pas la graisse s'accumuler sur le ventilateur ou les filtres.
- Utilisez des casseroles de dimension appropriée. Utilisez toujours une batterie de cuisine adaptée à la dimension de la surface chauffante.

OBSERVEZ LES CONSIGNES SUIVANTES DE MANIÈRE À RÉDUIRE LES RISQUES DE BLESSURES CORPORELLES EN CAS D'INCENDIE CAUSÉ PAR DE LA GRAISSE SUR LE PLAN DE CUISSON :*

- ÉTOUFFEZ LES FLAMMES à l'aide d'un couvercle étanche, d'une tôle à biscuits ou d'un plateau en métal puis éteignez le brûleur. FAITES ATTENTION DE NE PAS VOUS BRÛLER. Si les flammes ne s'éteignent pas immédiatement, QUITTEZ LES LIEUX ET APPELEZ LE SERVICE DES INCENDIES.

AVERTISSEMENT



- NE SOULEVEZ JAMAIS UNE CASSEROLE EN FLAMMES – vous pourriez vous brûler ou propager l'incendie.
 - N'UTILISEZ PAS D'EAU, ni de serviettes ou de linges mouillés – une violente explosion de vapeur pourrait survenir.
 - Utilisez un extincteur SEULEMENT si :
 - Vous savez qu'il est de classe ABC, et vous connaissez déjà son mode de fonctionnement.
 - L'incendie n'est pas très important et ne se propage pas.
 - Les pompiers ont été avisés.
 - Vous pouvez combattre l'incendie en faisant dos à une sortie.
- * Conseils tirés de la publication de la NFPA « Kitchen Firesafety Tips ».

ATTENTION



- Pour usage intérieur seulement.
- Pour ventilation générale uniquement. Ne pas utiliser cet appareil pour évacuer des matières ou des vapeurs dangereuses ou explosives.
- Pour ne pas endommager les roulements du moteur, déséquilibrer les pales ou les rendre bruyantes, protégez l'appareil de la poussière de plâtre, de construction, etc.
- Ne pas utiliser cette hotte au-dessus d'un appareil de cuisson dépassant 60 000 BTU/heure car le moteur du ventilateur s'arrêtera par intermittence.
- Le moteur de la hotte est muni d'un dispositif de protection de surcharge électrique qui coupe automatiquement le moteur en cas de surchauffe. Il se remet en marche lorsqu'il a refroidi. Faites réparer la hotte si le moteur continue à fonctionner par intermittence.
- Pour mieux capter les vapeurs de cuisson, le haut de la hotte DOIT ÊTRE AU MINIMUM à 61 cm (24 po) et au maximum à 76 cm (30 po) au-dessus de la surface de cuisson.
- Cette hotte n'est pas conçue pour servir d'étagère.
- Veillez lire l'étiquette de spécifications du produit pour obtenir plus de renseignements, notamment sur les exigences.

REMARQUE

Si la hotte est installée sans conduit :

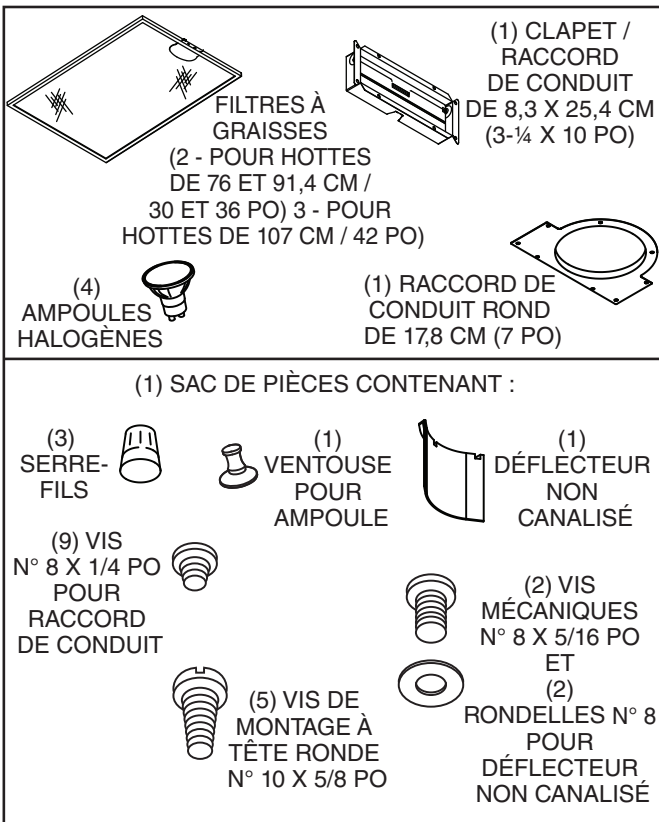
Veillez vous procurer un ensemble de (2) filtres pour hottes sans conduit de 76 cm (30 po) de largeur (Modèle BPPF30) ou 91,4 cm (36 po) de largeur (Modèle BPPF36) ou un ensemble de (3) filtres pour hottes sans conduit de 107 cm (42 po) de largeur (Modèle BPPF42) chez votre distributeur local ou votre détaillant et les fixer aux filtres en aluminium.

Enregistrez votre produit en ligne à : www.broan.com

Installateur : Veuillez remettre ce manuel au propriétaire.
Propriétaire : Nettoyage, entretien et mode d'emploi à la page 9.

CONTENU

INCLUS AVEC LA HOTTE :



NETTOYAGE ET ENTRETIEN

Pour des raisons de santé, de performance et d'apparence, nettoyez le filtre, le ventilateur et les surfaces graisseuses. Utilisez **seulement** un chiffon propre et une solution de détergent doux sur l'acier inoxydable et les surfaces peintes.

Nettoyez les filtres entièrement métalliques au lave-vaisselle avec un détergent sans phosphate. Une décoloration du filtre peut se produire si des détergents phosphatés sont utilisés et selon les conditions locales de l'eau, sans toutefois affecter le rendement du filtre. Cette décoloration n'est pas couverte par la garantie.

Nettoyez souvent les surfaces des filtres de recirculation avec un linge humide et un détergent doux. **NE PLONGEZ PAS** les filtres dans l'eau et ne les mettez pas au lave-vaisselle. La fonction « Clean Sense » indique quand le filtre doit être remplacé. Les bandes bleues et jaunes se combinent et deviennent vertes lorsqu'il est temps de changer le filtre. La caractéristique « Clean Sense » fonctionne mieux lorsqu'elle est tournée vers la surface de cuisson. Remplacez les filtres de recirculation sans conduit tous les six mois. Pour remplacer les filtres de recirculation - veuillez acheter les filtres S99010353 ou Modèle BPPF30 pour les hottes de 76 cm (30 po) de largeur, Modèle S99010354 ou BPPF36 pour les hottes de 91,4 cm (36 po) de largeur, ou Modèle S99010360 ou BPPF42 pour les hottes de 107 cm (42 po) de largeur.

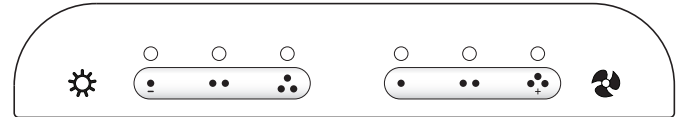
Le moteur est lubrifié en permanence et n'a pas besoin d'être huilé. Si les roulements du moteur sont anormalement bruyants, remplacez le moteur exactement par le même modèle. La roue à ailettes doit aussi être remplacée.

Utilisez des ampoules halogènes avec écran de 120 V, 50 W - MR16 à culot GU10.

FONCTIONNEMENT

Mettez toujours la hotte en MARCHÉ avant de cuisiner afin d'établir une circulation d'air dans la cuisine. Laissez la hotte fonctionner quelques minutes après l'arrêt de la cuisinière afin de nettoyer l'air.

Pour utiliser la hotte, faites comme suit :



ÉCLAIRAGE (3 boutons-poussoirs)

- Allume l'éclairage à FAIBLE intensité.
- Allume l'éclairage à MOYENNE intensité.
- Allume l'éclairage à HAUTE intensité.

Si vous appuyez de nouveau sur le même bouton, l'éclairage S'ÉTEINT. Un témoin lumineux au-dessus de chaque bouton indique l'intensité de l'éclairage.

VENTILATEUR (3 boutons-poussoirs)

- Met le ventilateur en marche au régime LENT.
- Met le ventilateur en marche au régime MOYEN.
- Met le ventilateur en marche au régime ÉLEVÉ.

Si vous appuyez de nouveau sur le même bouton, le ventilateur s'arrête. Le témoin au-dessus de chaque bouton du ventilateur indique la vitesse choisie.

REMARQUE

Cette hotte comporte un ventilateur à conception décalée offrant un meilleur rendement tout en réduisant le niveau sonore. Par conséquent, vous remarquerez peut-être que les impuretés de cuisson sont davantage attirées d'un côté ou semblent aspirées plus rapidement que de l'autre côté, ce qui est normal. La hotte a été conçue et testée pour capter les impuretés et odeurs de cuisson dans des conditions normales, quel que soit l'endroit où la cuisson s'effectue sur la cuisinière. Veuillez noter que cuisiner sur les brûleurs arrière permet toujours une meilleure captation des impuretés de cuisson, quelle que soit la conception de la hotte.

SYSTÈME DE DÉTECTEUR DE CHALEUR

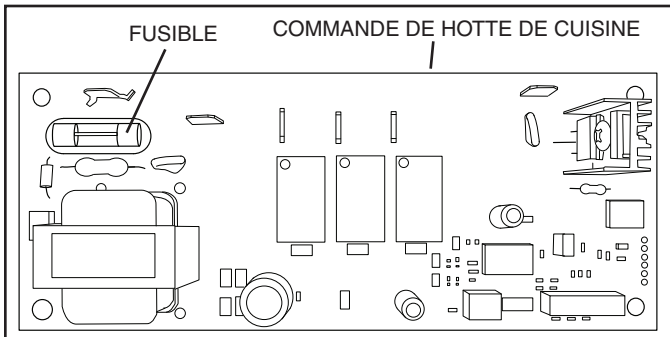
Cette hotte comporte un système perfectionné de détecteur de chaleur capable de déceler une température excessive et de régler automatiquement le ventilateur au régime adéquat.

1) **Si le ventilateur est en marche**, le système de détecteur de chaleur augmente la vitesse du ventilateur au fur et à mesure que la température s'élève. Si la température continue de s'élever, le système de détecteur augmente la vitesse du ventilateur jusqu'à stabilisation ou abaissement de la température. Le voyant clignotant situé au-dessus du bouton du ventilateur indique le réglage établi par le système de détecteur. Une fois la température abaissée, le système de détecteur rétablit le réglage original du ventilateur.

2) **Si le ventilateur est arrêté**, le système de détecteur règle automatiquement le ventilateur à la vitesse maximale lorsque la température est au-dessus de la normale. Lorsque le système de détecteur est activé, le voyant lumineux situé au-dessus du bouton de régime élevé du ventilateur clignote. Une fois la température revenue à la normale, la vitesse du ventilateur est réduite jusqu'à ce que la température soit stabilisée, puis le ventilateur s'arrête.

Note: La version canadienne ne possède pas cette fonction.

FUSIBLE



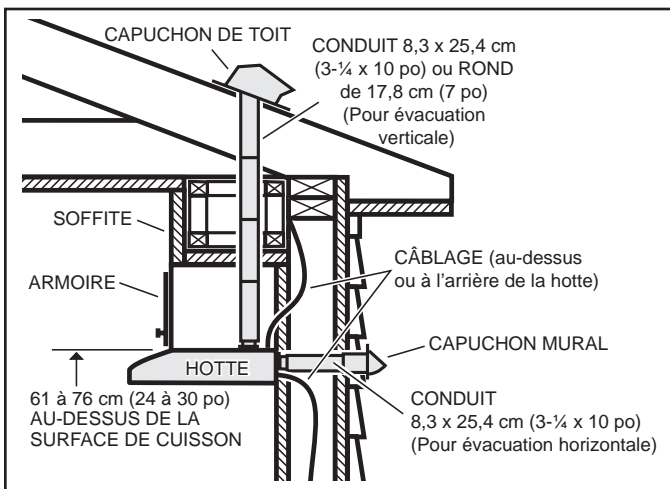
Le **panneau de commande de hotte** contient un **fusible** pour le protéger contre les surtensions. Si le fusible a sauté (grillé), les voyants verts indiquant la force du ventilateur ou de l'éclairage s'allument normalement lorsque l'on appuie sur les boutons, mais ni le ventilateur ni l'éclairage ne fonctionnent.

Vous pouvez vous procurer un nouveau fusible chez votre magasin d'électronique local. Utilisez un fusible de 8 A, 120 V, 5 mm de diamètre, 20 mm de long, à action rapide, de type cartouche.

Pour remplacer le fusible (par une personne qualifiée) :

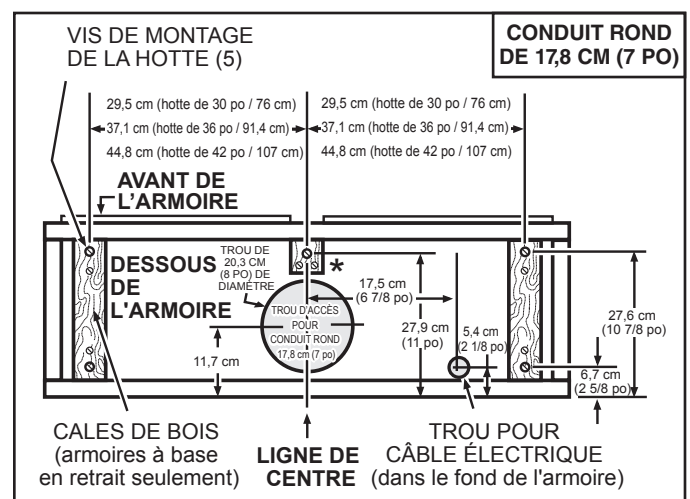
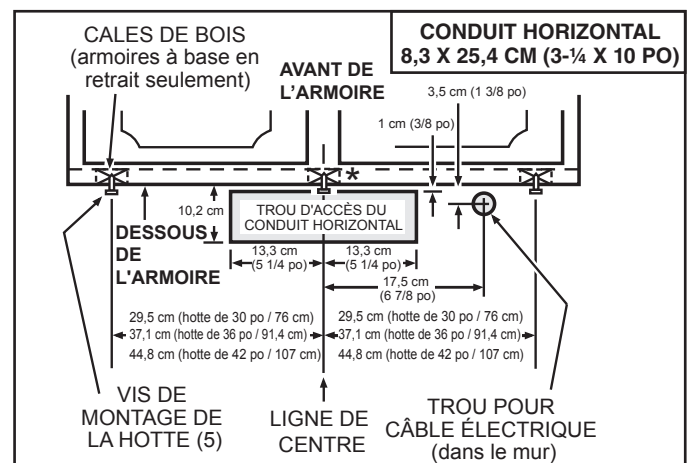
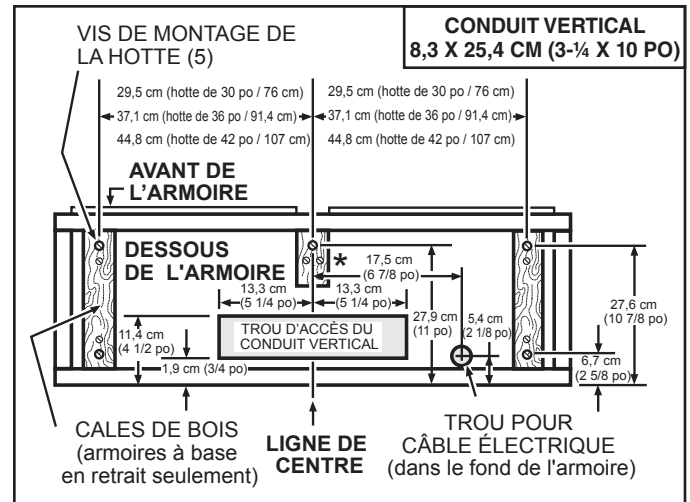
1. Coupez le courant au panneau électrique.
2. Enlevez les filtres et le panneau inférieur.
3. Enlevez et inspectez le fusible. S'il n'a pas sauté (grillé), un diagnostic plus poussé doit être effectué.

PRÉPARATION DE L'EMPLACEMENT DE LA HOTTE



1. Déterminez si l'évacuation se fera à la verticale (conduit de 8,3 x 25,4 cm [3-1/4 x 10 po] ou conduit rond de 17,8 cm [7 po]), ou à l'horizontale (8,3 x 25,4 cm [3-1/4 x 10 po] seulement). Pour une évacuation verticale ou horizontale, installez les conduits entre un capuchon de toit ou un capuchon mural. Pour obtenir les meilleurs résultats, utilisez un minimum de coudes et de transitions.

2. À l'aide des diagrammes ci-dessous, déterminez l'emplacement exact des coupes à effectuer pour le conduit et le fil d'alimentation électrique dans l'armoire ou le mur. Pour une installation sans conduit, NE PAS découper de trou pour le conduit.



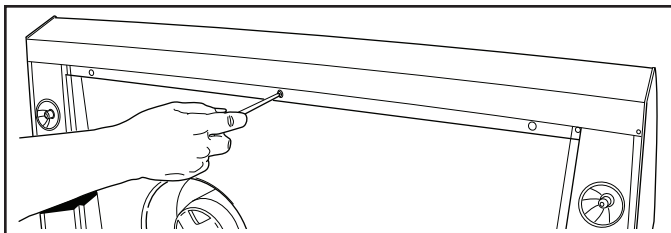
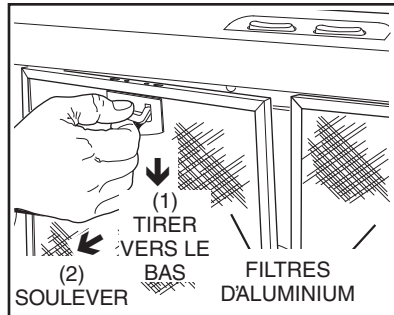
* Remarquez la cale de bois et la vis supplémentaires près de l'avant de l'armoire, sur la ligne centrale de l'armoire.

PRÉPARATION DE LA HOTTE

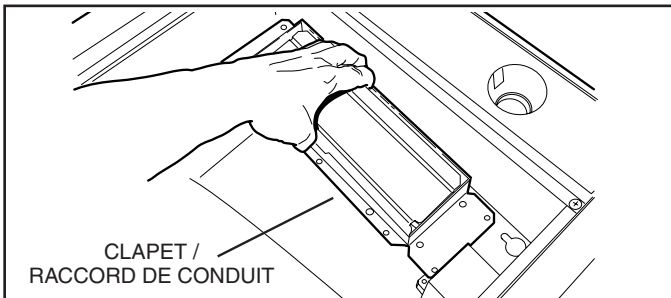
3 Retirez le sac de pièces de l'intérieur de la boîte de matériel inclus avec le hotte.

4 Enlevez toutes les pellicules protectrices de la hotte (hottes en acier inoxydable seulement).

5 Retirez les **filtres d'aluminium** de la hotte.

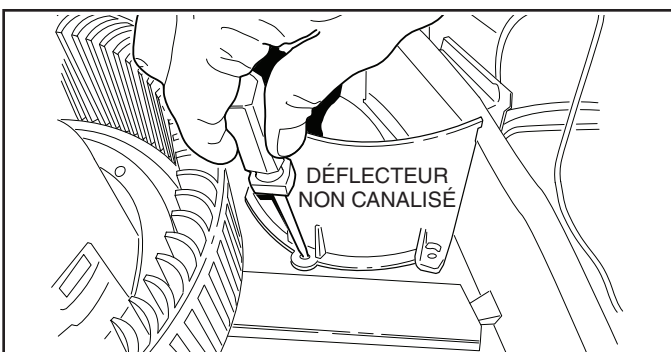


6 Enlevez les six **vis** maintenant le **panneau inférieur** de la hotte. Mettez le panneau inférieur et les vis de côté.

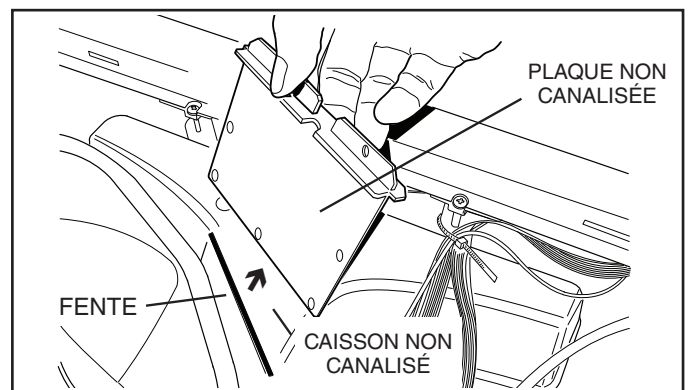
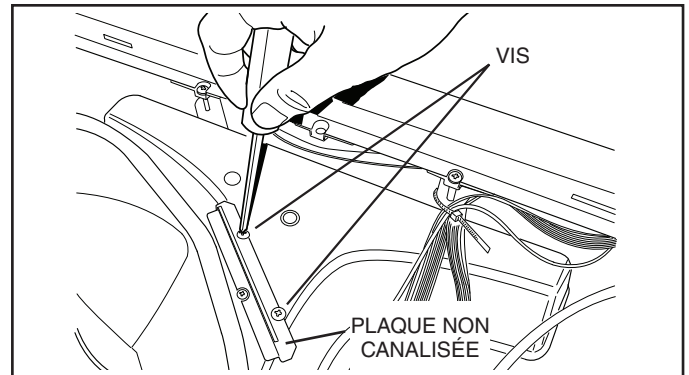


7 Enlevez les deux **vis** maintenant le **clapet / raccord de conduit** sur la hotte. Enlevez le clapet/raccord de conduit à l'intérieur de la hotte.

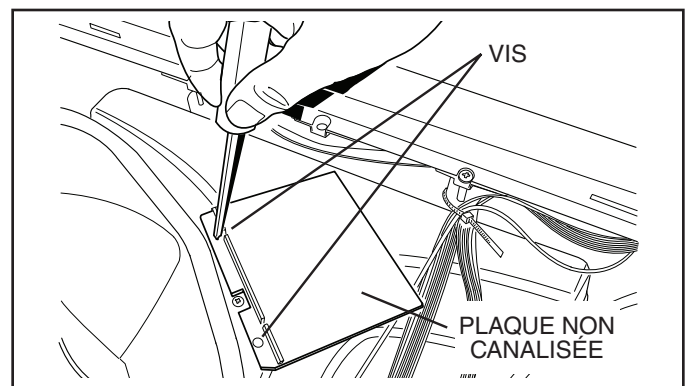
POUR LES INSTALLATIONS AVEC CONDUIT – Passez à l'étape 12.



8 **INSTALLATION SANS CONDUIT SEULEMENT :** Du sac de pièces : Fixez le **défecteur non canalisé** à la **boîte à air** à l'aide de 2 **vis** et 2 **rondelles**.



9 **INSTALLATION SANS CONDUIT SEULEMENT :** Enlevez les 2 **vis** retenant la **plaque non canalisée** au **caisson non canalisé** et retirez la plaque.



10 **INSTALLATION SANS CONDUIT SEULEMENT :** Insérez la petite extrémité de la **plaque non canalisée** dans la **fente** du caisson non canalisé. Fixez-la avec les 2 **vis** enlevées à l'étape 9.

11 **INSTALLATION SANS CONDUIT SEULEMENT :** Veuillez vous procurer un ensemble de (2) filtres pour hottes sans conduit de 76 cm (30 po) de largeur (Modèle BPPF30) ou 91,4 cm (36 po) de largeur (Modèle BPPF36) ou un ensemble de (3) filtres pour hottes sans conduit de 107 cm (42 po) de largeur (Modèle BPPF42) chez votre distributeur local ou votre détaillant. Fixez les filtres pour hotte sans conduit aux filtres d'aluminium selon les instructions accompagnant les filtres pour hotte sans conduit.

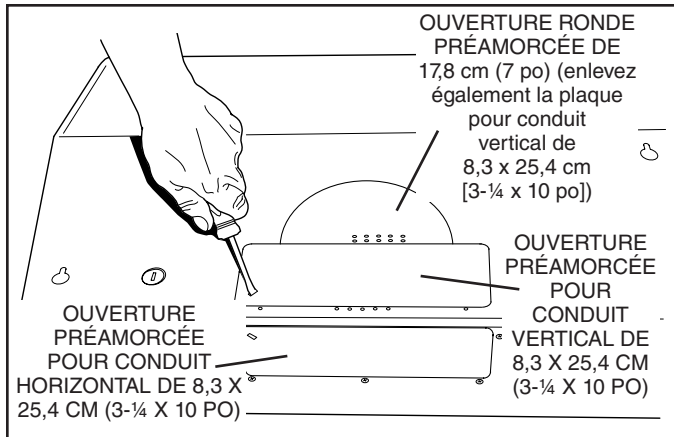
INSTALLATIONS SANS CONDUIT - Passez à « INSTALLATION DE LA HOTTE ».

INSTALLATION DE LA HOTTE



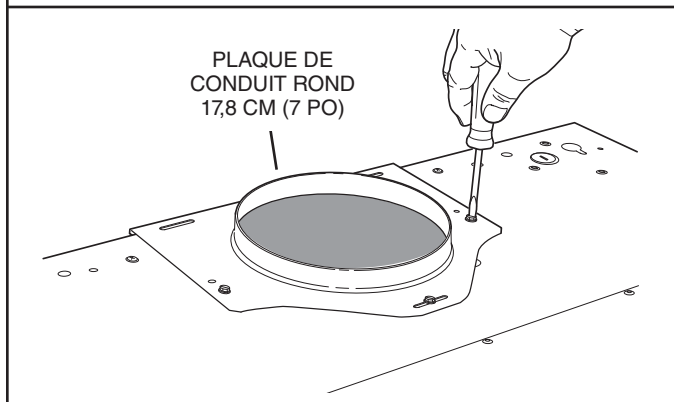
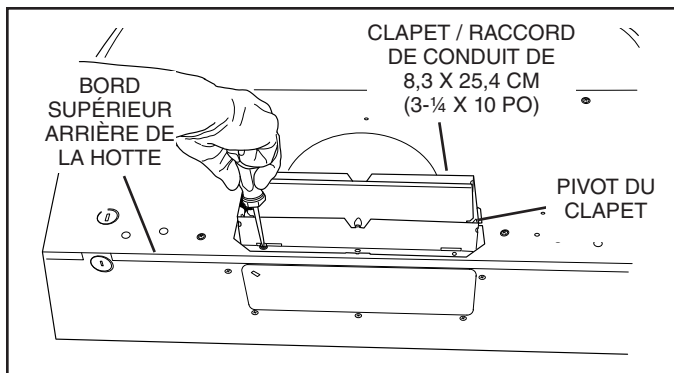
AVERTISSEMENT

Pour réduire les risques de choc électrique, coupez le courant du panneau électrique. Verrouillez ou posez un sceau sur le panneau afin d'éviter que le courant ne soit rétabli accidentellement.



12 INSTALLATION AVEC CONDUITS SEULEMENT :

Enlevez la ou les **plaques d'ouverture préamorcée** pour conduit vertical de 8,3 x 25,4 cm (3-1/4 x 10 po), conduit horizontal de 8,3 x 25,4 cm (3-1/4 x 10 po) ou conduit rond de 17,8 cm (7 po) selon la méthode choisie pour les conduits.



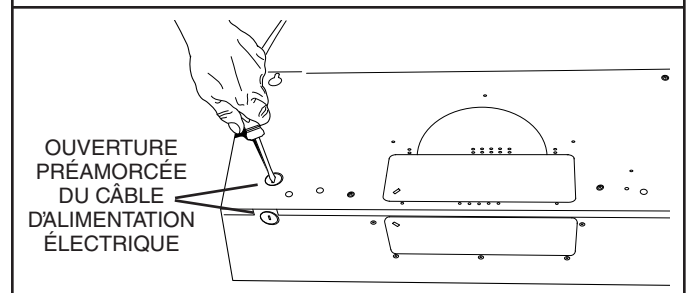
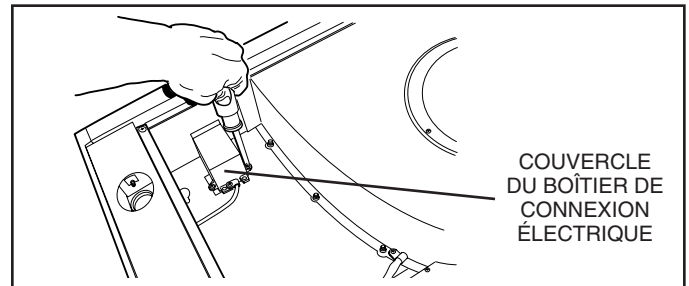
13 INSTALLATION AVEC CONDUITS SEULEMENT :

Fixez le **clapet / raccord de conduit de 8,3 x 25,4 cm (3-1/4 x 10 po)** (si vous utilisez un conduit de 8,3 x 25,4 cm [3-1/4 x 10 po]) ou la **plaque de conduit rond de 17,8 cm (7 po)** (si vous utilisez un conduit rond de 17,8 cm [7 po]) sur l'ouverture préamorcée.

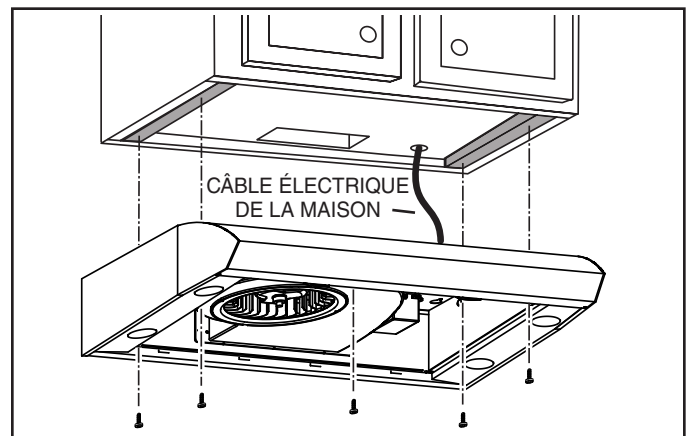
Remarques :

Pour accommoder les conduits décentrés, le clapet / raccord de conduit de 8,3 x 25,4 cm (3-1/4 x 10 po) peut être installé jusqu'à 1,3 cm (1/2 po) d'un côté ou de l'autre du centre de la hotte et la plaque de conduit rond de 17,8 cm (7 po) peut être installée jusqu'à 1,3 cm (1/2 po) d'un côté ou de l'autre du centre de la hotte.

Installez le clapet / raccord de conduit de 8,3 x 25,4 cm (3-1/4 x 10 po) en plaçant le **pivot du clapet** le plus près du **bord supérieur arrière de la hotte**.



14 Enlevez le **covercle du boîtier de connexion électrique** à l'intérieur de la hotte et l'**ouverture préamorcée de câble d'alimentation électrique appropriée** sur le dessus ou à l'arrière de la hotte.



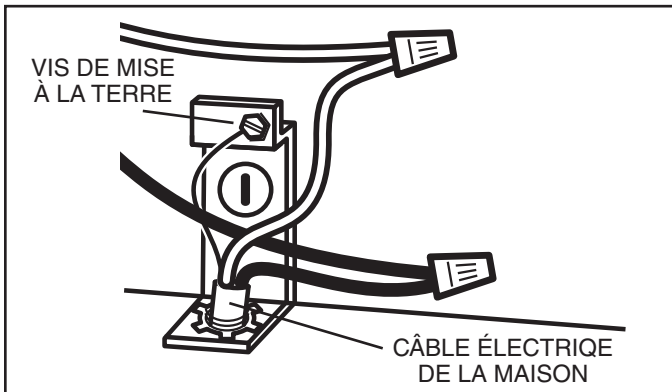
15 Acheminez le **fil d'alimentation** électrique du panneau électrique jusqu'à l'emplacement de la hotte. Fixez le câble à la hotte avec le connecteur approprié.

16 Suspendez la hotte à l'aide de (4) vis à moitié vissées aux endroits marqués sous l'armoire (illustré sous « PRÉPARATION DE L'EMPLACEMENT DE LA HOTTE »). Ces vis sont incluses dans le sac de pièces. Glissez la hotte vers le mur de manière à engager la tête des vis dans la fente des trous de serrure du dessus de la hotte. Serrez les vis fermement. Ajoutez la cinquième vis de montage dans le trou central de la hotte et serrez-la fermement.

17 INSTALLATION AVEC CONDUITS SEULEMENT :

Raccordez le conduit à la hotte et assurez-vous que les joints sont bien fixés et étanches à l'aide de ruban pour conduit. Assurez-vous que le clapet / raccord de conduit s'insère à l'intérieur du conduit et que le clapet s'ouvre et se ferme librement.

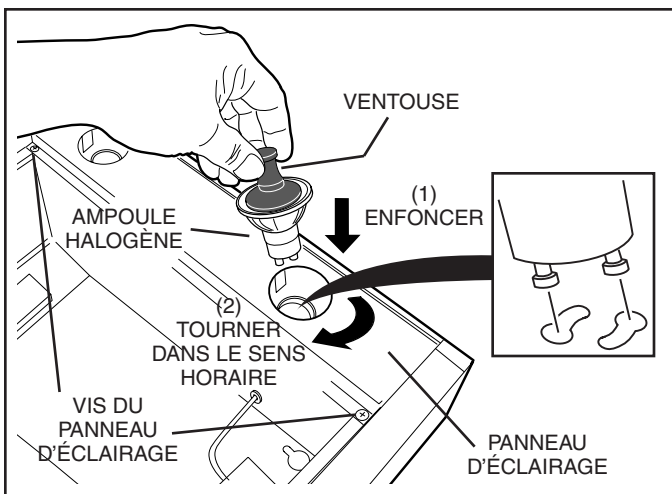
RACCORD DU CÂBLAGE



18 Connectez le **câble électrique de la maison** avec les fils de la hotte - le NOIR avec le NOIR, le BLANC avec le BLANC, et le VERT ou FIL NU avec la **vis de mise à la terre**. Remplacez le couvercle du boîtier de connexion électrique.

19 Reposez le **panneau inférieur** avec les 6 **vis** enlevées à l'étape 6.

INSTALLATION DES AMPOULES



ATTENTION : Les ampoules peuvent être très chaudes. Pour plus d'informations, voir l'emballage de l'ampoule.

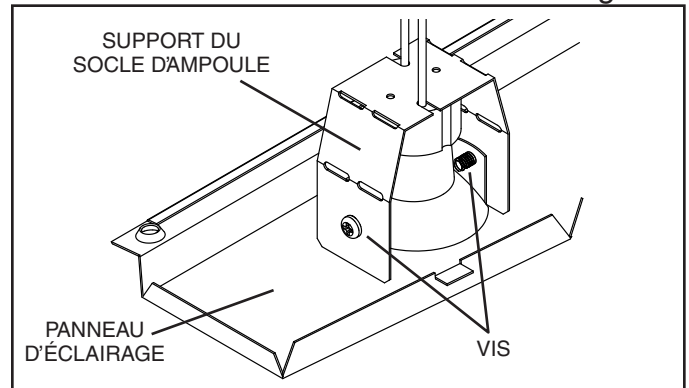
20 Installez (4) **ampoules halogènes** (incluses avec la hotte). Utilisez des ampoules halogènes avec écran de 120 V, 50 W - MR16 à culot GU10.

REMARQUE : Vous pouvez utiliser la **ventouse** (incluse avec la hotte) pour installer ou enlever les ampoules.

Alignez les bornes de l'ampoule sur la grande ouverture du socle, puis poussez l'ampoule vers la hotte et tournez-la dans le sens horaire jusqu'à ce qu'elle soit bien appuyée.

La position du socle de l'ampoule (sa profondeur) est réglable et peut exiger un ajustement lorsque :

- a) certaines marques d'ampoule sont difficiles à installer.
- b) l'ampoule dépasse trop sous le panneau d'éclairage.



Pour changer la profondeur des socles d'ampoule :

- Enlevez le panneau inférieur (voir étape 6).
- Enlevez les 2 **vis du panneau d'éclairage** et le **panneau d'éclairage**. Gardez les vis de côté.
- Desserrez les 2 **vis** retenant le **support du socle d'ampoule** au **panneau d'éclairage**.
- Réglez le support / socle à la profondeur voulue.
- Resserrez les vis fermement.
- Reposez le panneau d'éclairage et le panneau inférieur.

21 **INSTALLATION AVEC CONDUITS SEULEMENT :**
 Remplacez les filtres d'aluminium enlevés à l'étape 5.

INSTALLATION SANS CONDUIT SEULEMENT :
 Installez les filtres d'aluminium et les filtres pour hotte sans conduit - achetés et assemblés à l'étape 11.

GARANTIE

Garantie limitée d'un an

Broan-NuTone garantit au consommateur et acheteur initial de ses produits que ceux-ci sont exempts de tout vice de matériau ou de fabrication pour une période d'un (1) an à compter de la date d'achat originale. CETTE GARANTIE NE COMPORTE AUCUNE AUTRE GARANTIE, EXPRESSE OU TACITE, Y COMPRIS, MAIS SANS S'Y LIMITER, LES GARANTIES TACITES DE VALEUR MARCHANDE OU D'ADAPTATION À UN USAGE PARTICULIER.

Durant cette période d'un an, Broan-NuTone réparera ou remplacera gratuitement, à sa discrétion, tout produit ou toute pièce jugés défectueux dans des conditions normales d'utilisation. CETTE GARANTIE NE S'APPLIQUE PAS AUX TUBES FLUORESCENTS ET AUX DÉMARREURS, NI AUX AMPOULES HALOGÈNES OU INCANDESCENTES, FUSIBLES, FILTRES, CONDUITS, CAPUCHONS DE TOIT, CAPUCHONS MURAUX ET AUTRES ACCESSOIRES POUR CONDUITS. Cette garantie ne couvre pas (a) les frais d'entretien ou de service normaux ni (b) tout produit ou toute pièce soumis à un abus, une négligence, un accident, un entretien ou une réparation inadéquats (autres que ceux effectués par Broan-NuTone), une mauvaise installation ou une installation contraire aux instructions recommandées.

La durée de toute garantie tacite est limitée à cette période d'un an, tel que stipulé pour la garantie expresse. Certains territoires ou provinces interdisant de limiter la durée d'une garantie tacite, la limitation ci-dessus peut ne pas s'appliquer à votre situation.

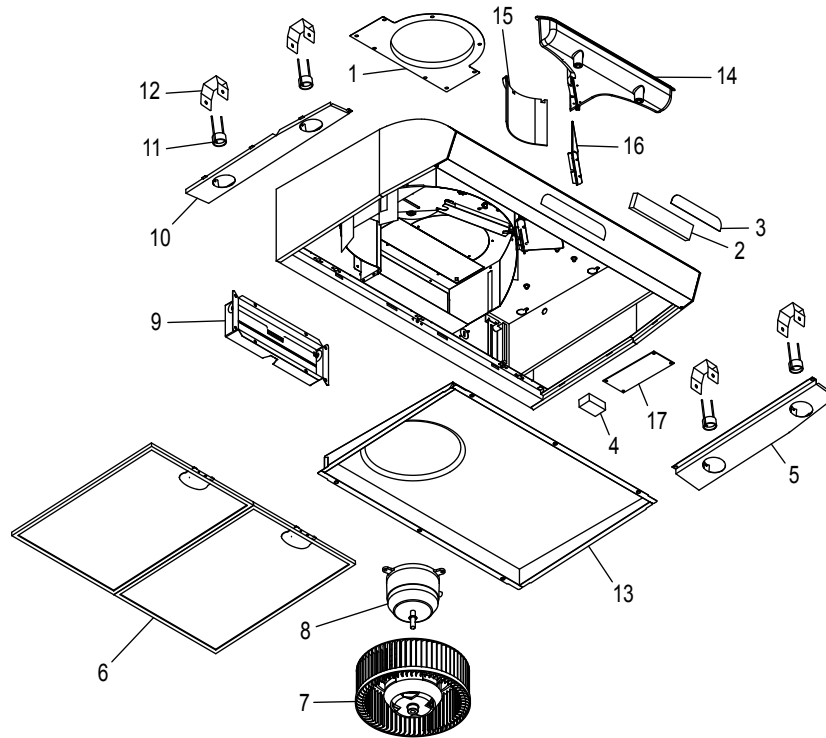
L'OBLIGATION POUR BROAN-NUTONE DE RÉPARER OU DE REMPLACER LE PRODUIT, À SA DISCRÉTION, CONSTITUE LE SEUL RECOURS DE L'ACHETEUR EN VERTU DE LA PRÉSENTE GARANTIE. BROAN-NUTONE NE PEUT ÊTRE TENUE RESPONSABLE DES DOMMAGES INDIRECTS OU CONSÉCUTIFS NI DES DOMMAGES-INTÉRÊTS PARTICULIERS DÉCOULANT DE L'UTILISATION OU DU RENDEMENT DU PRODUIT. Certains territoires ou provinces ne permettant pas la limitation ou l'exclusion des dommages indirects ou consécutifs, la limitation ci-dessus peut ne pas s'appliquer à votre situation. La présente garantie vous confère des droits spécifiques reconnus par la loi. D'autres droits pourraient également vous être accordés selon la législation locale en vigueur. La présente garantie remplace toutes les autres garanties précédentes.

Pour vous prévaloir de cette garantie, vous devez (a) aviser Broan-NuTone à l'adresse ou au numéro de téléphone indiqués ci-dessous, (b) donner le numéro de modèle du produit et le numéro d'identification de la pièce et (c) décrire la nature de la défectuosité du produit ou de la pièce. Lors de votre demande de garantie, vous devez présenter une preuve de la date d'achat originale.

Broan-NuTone LLC, 926 W. State Street, Hartford, Wisconsin 53027
 www.broan.com 800-558-1711

Broan-NuTone Canada, Inc., 1140 Tristar Drive, Mississauga, Ontario Canada L5T 1H9
 www.broan.ca 877-896-1119 Rév. 08/2007

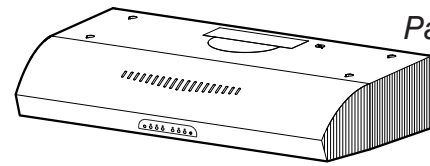
PIÈCES DE RECHANGE



REPÈRE	N° DE PIÈCE	DESCRIPTION
1	97017727	Plaque pour conduit rond de 17,8 cm (7 po) (comprend la quincaillerie de montage)
2	97018245	Ensemble d'interface utilisateur blanche (comprend interface, plaque indicatrice, quincaillerie de montage)
	97018246	Ensemble d'interface utilisateur noire (comprend interface, plaque indicatrice, quincaillerie de montage)
	97018247	Ensemble d'interface utilisateur biscuit (comprend interface, plaque indicatrice, quincaillerie de montage)
3	99528248	Plaque indicatrice, blanche
	99528249	Plaque indicatrice, noire
	99528250	Plaque indicatrice, biscuit
4	97018251	Ensemble de condensateur (comprend écrous à fil, vis de montage)
5	97018225	Panneau d'éclairage blanc DROIT (comprend la quincaillerie de montage)
	97018226	Panneau d'éclairage noir DROIT (comprend la quincaillerie de montage)
	97018227	Panneau d'éclairage inox DROIT (comprend la quincaillerie de montage)
	97018228	Panneau d'éclairage bisque DROIT (comprend la quincaillerie de montage)
6	97018202	Ensemble de filtres pour hotte de 76 cm (30 po) (2 par sac)
	97018203	Ensemble de filtres pour hotte de 91,4 cm (36 po) (2 par sac)
	97018204	Ensemble de filtres pour hotte de 107 cm (42 po) (2 par sac)
7	97018220	Roue à ailettes (incluant l'écrou de montage)
8	97018222	Ensemble de moteur (comprend moteur, isolateurs, quincaillerie de montage)
9	97017728	Clapet / raccord de conduit (incluant la quincaillerie de montage)
10	97018229	Panneau d'éclairage blanc GAUCHE (comprend la quincaillerie de montage)
	97018230	Panneau d'éclairage noir GAUCHE (comprend la quincaillerie de montage)
	97018231	Panneau d'éclairage inox GAUCHE (comprend la quincaillerie de montage)
	97018232	Panneau d'éclairage biscuit GAUCHE (comprend la quincaillerie de montage)
11	97017731	Socle d'ampoule (comprend socle d'ampoule, écrous à fil, vis de montage)
12	97018233	Support de socle d'ampoule
13	97018236	Panneau inférieur de 76 cm (30 po) (comprend la quincaillerie de montage)
	97018237	Panneau inférieur de 91,4 cm (36 po) (comprend la quincaillerie de montage)
	97018238	Panneau inférieur de 107 cm (42 po) (comprend la quincaillerie de montage)
14	97018242	Caisson non canalisé (comprend le joint et la quincaillerie de montage)
15	97018243	Défecteur non canalisé (comprend la quincaillerie de montage)
16	97018244	Plaque non canalisée (comprend la quincaillerie de montage)
17	97018254	Circuit imprimé (non illustré)
Non illustré	97018224	Sachet de pièces (non illustré)
Non illustré	99010353	Ensemble de filtres pour hotte de 76 cm (30 po) (2 filtres au charbon et 8 attaches de filtre)
	99010354	Ensemble de filtres pour hotte de 91,4 cm (36 po) (2 filtres au charbon et 8 attaches de filtre)
	99010360	Ensemble de filtres pour hotte de 107 cm (42 po) (2 filtres au charbon et 12 attaches de filtre)
Non illustré	99526707	Ventouse
Non illustré	97018252	Détecteur de chaleur
Non illustré	97018253	Fusible
Non illustré	97018255	Câble-ruban
Non illustré	V05921	Ampoule halogène 50 W GU10

Veillez commander les pièces par N° PIÈCE - et non par N° REPÈRE.

EVOLUTION™ 2 Campanas Serie QP2



Página 15

LEA Y CONSERVE ESTAS INSTRUCCIONES



SOLAMENTE PARA COCINAR EN CASA



ADVERTENCIA



PARA REDUCIR EL RIESGO DE INCENDIO, DESCARGA ELÉCTRICA O LESIONES PERSONALES, OBSERVE LO SIGUIENTE:

1. Use la unidad sólo de la manera indicada por el fabricante. Si tiene preguntas, comuníquese con el fabricante a la dirección o al número telefónico que se incluye en la garantía.
2. Antes de dar servicio a la unidad o de limpiarla, interrumpa el suministro eléctrico en el panel de servicio y bloquee los medios de desconexión del servicio para evitar que la electricidad se reanude accidentalmente. Cuando no sea posible bloquear los medios de desconexión del servicio, fije firmemente una señal de advertencia (como una etiqueta) en un lugar visible del panel de servicio.
3. El trabajo de instalación y cableado eléctrico debe ser realizado por personal calificado y de conformidad con todos los códigos y normas correspondientes, incluidos los de construcción específicos contra incendios.
4. Aire suficiente es necesario para la combustión adecuada y extracción adecuadas de los gases a través del tubo de humos (chimenea) del equipo quemador de combustible, a fin de evitar el contratiempo. Siga las normas de los equipos de combustión, como las establecidas en los códigos locales y las publicadas por la Asociación Nacional de Protección contra Incendios (National Fire Protection Association, NFPA) y la Sociedad Americana de Ingenieros de Calefacción, Refrigeración y Aire Acondicionado (American Society for Heating, Refrigeration and Air Conditioning Engineers, ASHRAE) y el código de las autoridades locales.
5. Este producto podría tener bordes afilados. Trabaje con cuidado para evitar cortadas y abrasiones durante la instalación y la limpieza.
6. Al cortar o perforar a través de la pared o del techo, tenga cuidado de no dañar el cableado eléctrico ni otros servicios ocultos.
7. Los ventiladores en conductos siempre deben ventearse hacia el exterior.
8. Utilice únicamente conductos metálicos.
9. No use este ventilador junto con ningún dispositivo de control de velocidad de estado sólido.
10. Como alternativa, se puede instalar este producto con el juego de cable de alimentación aprobado por UL y diseñado para el producto, siguiendo las instrucciones incluidas con el cable.
11. Esta unidad debe estar conectada a tierra.

PARA REDUCIR EL RIESGO DE INCENDIO PROVOCADO POR GRASA PRESENTE EN LA ESTUFA:

1. Nunca deje desatendidas las unidades de la superficie cuando estén en ajustes altos de calor. Los alimentos en ebullición provocan derrames grasosos y con humo que se pueden incendiar. Caliente el aceite lentamente en ajustes de calor bajo o medio.
2. Siempre ENCIENDA la campana cuando esté cocinando a altas temperaturas o flameando alimentos (por ejemplo, crepas Suzette, cerezas Jubilee, bistec con pimienta flameado).
3. Limpie frecuentemente los ventiladores. No permita la acumulación de grasa en el ventilador ni en el filtro.
4. Use una cacerola del tamaño adecuado. Siempre use utensilios de cocina que sean apropiados para el tamaño del elemento de la superficie.

PARA REDUCIR EL RIESGO DE LESIONES A LAS PERSONAS EN CASO DE UN INCENDIO PRODUCIDO POR GRASA EN UNA ESTUFA, OBSERVE LO SIGUIENTE*:

1. APAGUE LAS LLAMAS con una tapa de ajuste exacto, una charola para galletas o una bandeja de metal, y después apague el quemador. PROCEDA CON CUIDADO PARA EVITAR QUEMADURAS. Si las llamas no se apagan inmediatamente, EVACUE EL ÁREA Y LLAME A LOS BOMBEROS.

ADVERTENCIA



2. NUNCA LEVANTE UNA CACEROLA INCENDIADA porque podría sufrir quemaduras o propagar el incendio.
3. NO TRATE DE APAGAR EL FUEGO CON AGUA ni con trapos o toallas de cocina mojados, pues ocasionará una explosión violenta de vapor.
4. Use un extintor SÓLO si:
 - A. Tiene un extintor de la Clase ABC, y ya sabe cómo funciona.
 - B. El incendio es pequeño y está confinado en el área en la que se inició.
 - C. Va a llamar al Departamento de Bomberos.
 - D. Puede combatir el incendio teniendo la espalda orientada hacia una salida.

* Basado en "Kitchen Firesafety Tips" (Sugerencias para la seguridad contra incendios en la cocina) publicado por NFPA.

PRECAUCIÓN



1. Sólo debe usarse bajo techo.
2. Sólo para usarse como medio de ventilación general. No debe usarse para la extracción de materiales ni vapores peligrosos o explosivos.
3. Para evitar daños a los cojinetes del motor y rotores ruidosos o desbalanceados, mantenga la unidad eléctrica al resguardo de rocios de yeso, polvo de construcción, etc.
4. No use equipo para cocinar mayor de 60,000 BTU/hr, pues el motor ventilador se apagará de manera intermitente.
5. Este motor de campana tiene una protección contra sobrecargas térmicas que automáticamente apagará el motor en caso de sobrecalentamiento. El motor reanudará su funcionamiento cuando se enfríe. Si el motor continúa apagándose y encendiéndose, solicite servicio para la campana.
6. La parte superior de la campana NO DEBE ESTAR A MENOS de 24 pulg. (61 cm) y a un máximo de 30 pulg. (76 cm) por arriba de la estufa, para captar mejor las impurezas que surgen al cocinar.
7. Está campana no está diseñada para usarse como repisa.
8. Lea la etiqueta de especificaciones que tiene el producto para ver información y requisitos adicionales.

NOTA

Si la campana se va a instalar en un sistema sin conductos: Compre un juego de dos (2) filtros para sistemas sin conductos para las campanas de 30 pulg. (76 cm) (Modelo BPPF30) y para las campanas de 36 pulg. (91.4 cm) (Modelo BPPF36) o un juego de tres (3) filtros para sistemas sin conductos para las campanas de 42 pulg. (107 cm) (Modelo BPPF42) con su distribuidor o minorista local, y acóplelos a los filtros de malla de aluminio.

Registre su producto en Internet en: www.broan.com

Aviso al instalador: Deje este manual con el dueño de la casa.
Aviso al dueño de la casa: En la página 16 encontrará las instrucciones de limpieza, mantenimiento y funcionamiento.

CONTENIDO

SE INCLUYE CON LA CAMPANA:



LIMPIEZA Y MANTENIMIENTO

Por motivos de desempeño, apariencia y salud, limpie el filtro, el ventilador y las superficies que tengan grasa. Utilice **únicamente** un trapo limpio y una solución de detergente suave en superficies de acero inoxidable y pintadas.

Limpie los filtros completamente metálicos en el lavaplatos con un detergente sin fosfatos. La decoloración del filtro puede ocurrir si se utilizan detergentes con fosfato o como resultado de la condición del agua local, pero esto no afectará el rendimiento del filtro. Esta decoloración no está cubierta por la garantía.

Limpie frecuentemente las superficies del filtro de recirculación sin conducto con un paño húmedo y un detergente suave. NO sumerja los filtros en agua ni los coloque en el lavaplatos. La característica especial "Clean Sense" indica cuando es necesario reemplazar un filtro. Cuando sea el momento de cambiar el filtro, las bandas azules y amarillas se combinarán y adquirirán un color verde. La característica "Clean Sense" funciona mejor cuando se coloca orientada hacia la superficie para cocinar. Cambie los filtros de recirculación cada 6 meses. Para reemplazar los filtros de circulación de sistemas sin conducto, compre el S99010353 o el Modelo BPPF30 para campanas de 30 pulg. (76 cm), el S99010354 o Modelo BPPF36 para campanas de 36 pulg. (91.4 cm), o el S99010360 o el Modelo BPPF42 para campanas de 42 pulg. (107 cm).

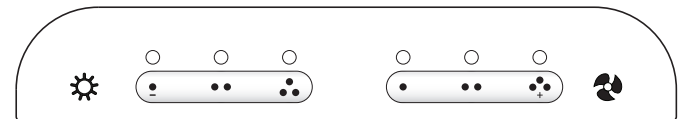
El motor está permanentemente lubricado y no necesitará nunca ponerle aceite. Si los cojinetes del motor están haciendo ruido excesivo o inusual, reemplace el motor con el motor de servicio exacto. También debe reemplazar el impulsor.

Utilice bombillas de halógeno con escudo protector de 120 V, 50 W (MR16 con base GU10).

FUNCIONAMIENTO

ENCIENDA siempre la campana antes de comenzar a cocinar, a fin de establecer un flujo de aire en la cocina. Después de apagar la estufa, deje que la campana funcione durante unos cuantos minutos para despejar el aire.

Para hacer funcionar la campana, haga lo siguiente:



LUZ (interruptores de 3 botones)

- Enciende la luz en ajuste BAJO.
- Enciende la luz en ajuste MEDIO.
- Enciende la luz en ajuste ALTO.

Al presionar el mismo botón se apagará la luz. Una luz arriba de cada botón indica el ajuste de la luz.

VENTILADOR (interruptores de 3 botones)

- Enciende el ventilador en velocidad BAJA.
- Enciende el ventilador en velocidad MEDIA.
- Enciende el ventilador en velocidad ALTA.

Al presionar el mismo botón se APAGARÁ el ventilador. Una luz arriba de cada botón indica la velocidad del ventilador.

NOTA

Esta campana utiliza un ventilador de compensación, diseñado para obtener un mejor desempeño y menores niveles de ruido. Como resultado, tal vez se dé cuenta de que las impurezas al cocinar se atraen más a un lado, o aparentan atraerse con más rapidez de lo que parece en el lado opuesto. Esto es totalmente normal. La campana ha sido diseñada y probada para captar bien las impurezas y los olores al cocinar en condiciones normales, sin importar la ubicación donde se cocine en la estufa. Tome en cuenta que al cocinar en los quemadores traseros siempre tendrá como resultado una mejor captación de las impurezas, sin importar el diseño de la campana.

SISTEMA HEAT SENTRY

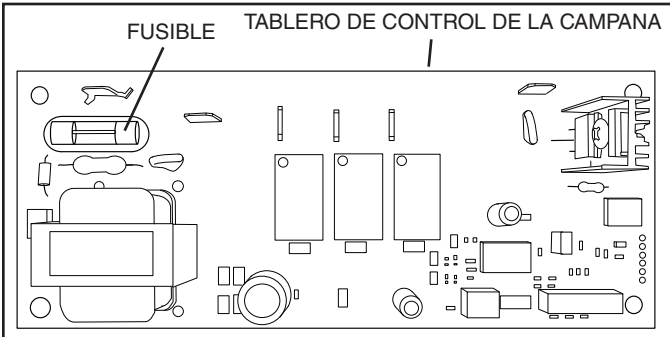
Esta campana está equipada con un sistema Heat Sentry de avanzada que vigila el exceso de temperatura y ajusta automáticamente al ventilador en la velocidad adecuada.

1) **Si el ventilador está encendido**, el sistema Heat Sentry aumentará la velocidad del ventilador cuando la temperatura está elevada. Si la temperatura sigue subiendo, el sistema Heat Sentry seguirá aumentando la velocidad del ventilador hasta que la temperatura se estabilice o se reduzca. La luz destellante arriba del botón del ventilador muestra la velocidad del ventilador del sistema Heat Sentry. Una vez que se ha reducido la temperatura, el sistema regresará al ventilador a su velocidad original.

2) **Si el ventilador está apagado**, el sistema encenderá automáticamente el ventilador a su velocidad máxima cuando la temperatura esté por arriba de lo normal. Cuando el sistema está encendido, la luz arriba del botón de alta velocidad del ventilador se encenderá y apagará. Después de que la temperatura baje a valores normales, la velocidad del ventilador se reducirá hasta que se estabilice la temperatura y luego el ventilador se apagará.

Nota: la versión canadiense no tiene esta función.

FUSIBLE



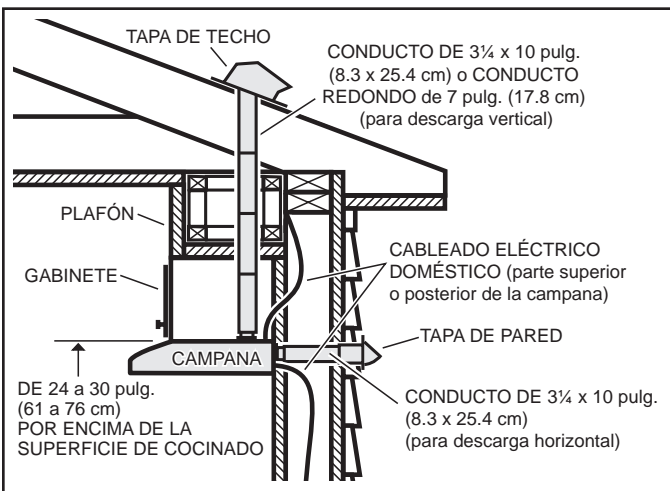
El **Tablero de control de la campana** contiene un **fusible** para proteger los controles de las sobrecargas de energía. Si el fusible está abierto (se fundió), el indicador verde del ventilador o de la luz no funcionará adecuadamente cuando se presionen los botones del ventilador o de la luz, y ni el ventilador ni las luces se encenderán.

Puede comprar un fusible nuevo en una tienda de suministros electrónicos de su localidad. Utilice un fusible tipo cartucho de acción rápida de 8 A, 120 V, de 5 mm de diámetro y 20 mm de largo.

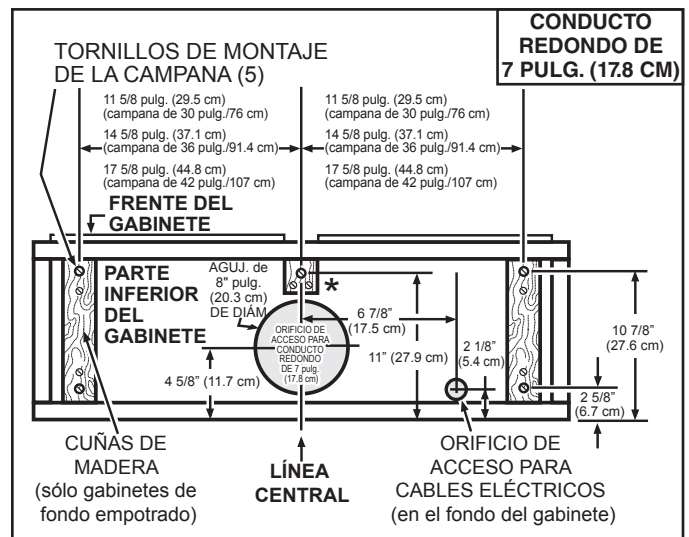
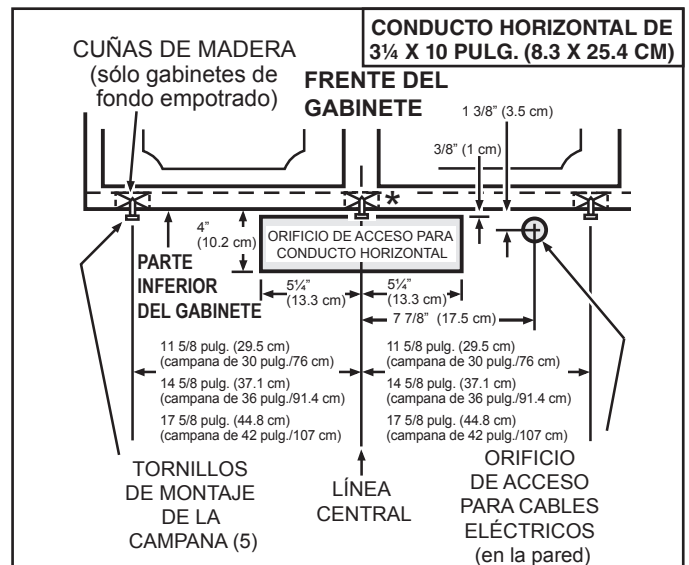
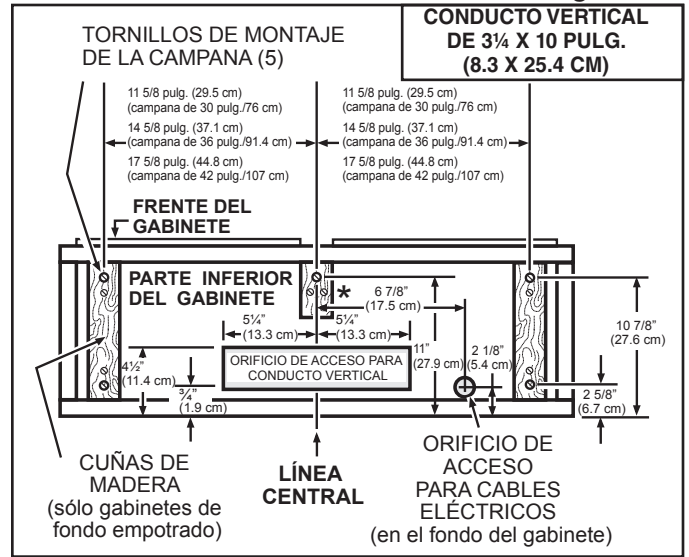
Para reemplazar el fusible (por persona cualificada):

1. Desconecte la energía en la entrada de servicio.
2. Retire los filtros y el recipiente inferior.
3. Quite y revise el fusible. Si **no** está abierto (fundido), necesitará realizar diagnósticos adicionales.

PREPARE EL LUGAR DONDE SE VA A INSTALAR LA CAMPANA



1. Determine si la descarga de la campana va a ser vertical (conducto de 3/4 x 10 pulg. [8.3 x 25.4 cm] o redondo de 7 pulg. [17.8 cm]) u horizontal (sólo conducto de 3/4 x 10 pulg. [8.3 x 25.4 cm]). Para descarga vertical u horizontal, coloque la red de conductos entre el lugar donde va a instalar la campana y el tapón de techo o tapón de pared. Para obtener los mejores resultados, utilice una cantidad mínima de transiciones y codos.
2. Guíese por el diagrama correspondiente (a continuación) para colocar los conductos y hacer el corte exacto para la conexión eléctrica en el gabinete o en la pared. Para instalaciones en sistemas sin conductos, **NO** haga ningún orificio de acceso para conducto.



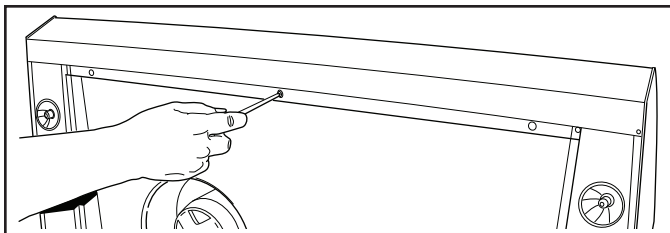
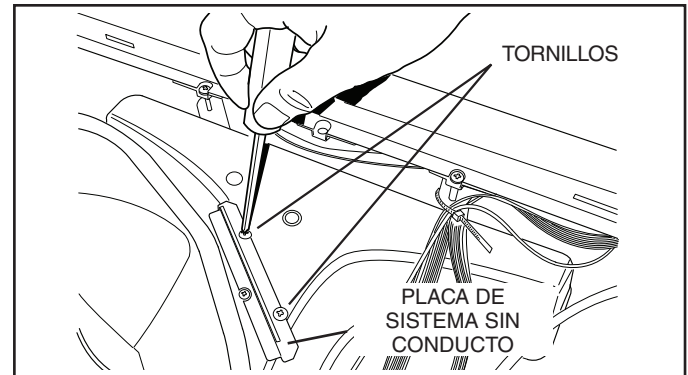
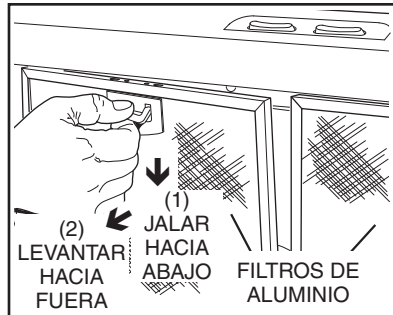
* Observe la cuña de madera adicional y el tornillo de montaje cerca del frente del gabinete, sobre la línea central del gabinete.

PREPARE LA CAMPANA

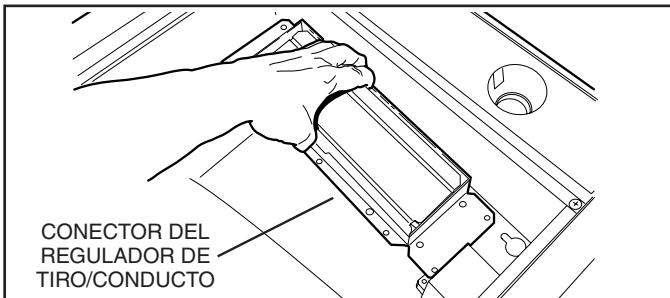
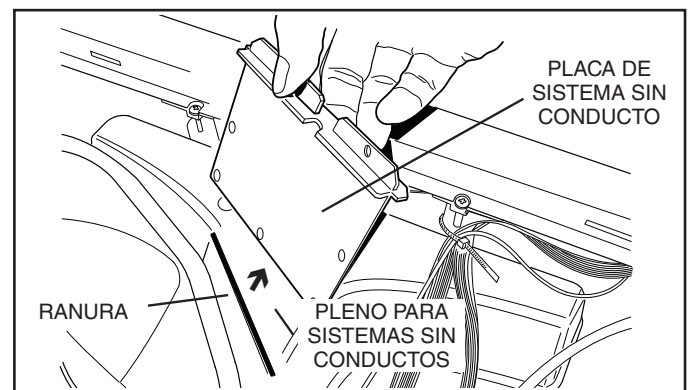
3 Quite la bolsa de piezas del interior del cuadro de hardware incluido con la campana.

4 Quite todo el forro de plástico protector de la campana (únicamente campanas de acero inoxidable).

5 Quite los **filtros de aluminio** de la campana.

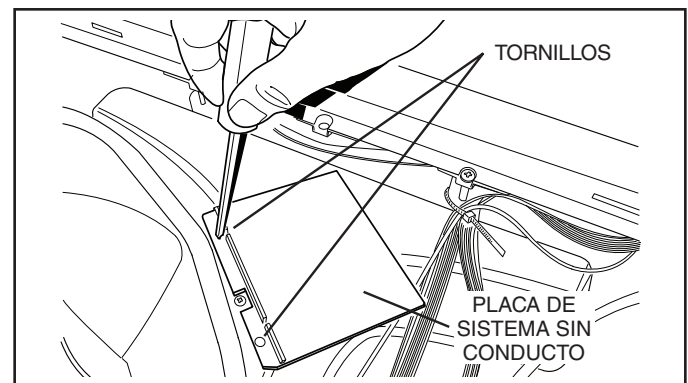


6 Quite los **6 tornillos** que sostienen el **recipiente inferior** a la campana. Deje a un lado el recipiente inferior y los tornillos.



7 Quite los **2 tornillos** que sujetan el conector del regulador de tiro/conducto a la campana. Quite el **conector del regulador de tiro/conducto** del interior de la campana.

9 **ÚNICAMENTE EN INSTALACIONES SIN CONDUCTOS:** Quite **2 tornillos** que sostienen la **placa sin conducto** al **pleno sin conducto** y quite la placa.



PARA INSTALACIONES CON CONDUCTOS: pase directamente al **paso 12.**



8 **ÚNICAMENTE EN INSTALACIONES SIN CONDUCTOS:** De la lista de piezas: Fije el **desviador para sistemas sin conductos** a la **caja de aire** con **2 tornillos** y **2 arandelas**.

10 **ÚNICAMENTE EN INSTALACIONES SIN CONDUCTOS:** Inserte el extremo corto de la **placa sin conducto** en la **ranura** del pleno sin conducto. Fije con los **2 tornillos** que quitó en el paso 9.

11 **ÚNICAMENTE EN INSTALACIONES SIN CONDUCTOS:** Compre un juego de dos (2) filtros para sistemas sin conductos para las campanas de 30 pulg. (76 cm) (Modelo BPPF30) y para las campanas de 36 pulg. (91.4 cm) (Modelo BPPF36) o un juego de tres (3) filtros para sistemas sin conductos para las campanas de 42 pulg. (107 cm) (Modelo BPPF42) con su distribuidor o minorista local. Siguiendo las instrucciones que acompañan a los filtros para sistemas sin conductos, acople éstos a los filtros de malla de aluminio.

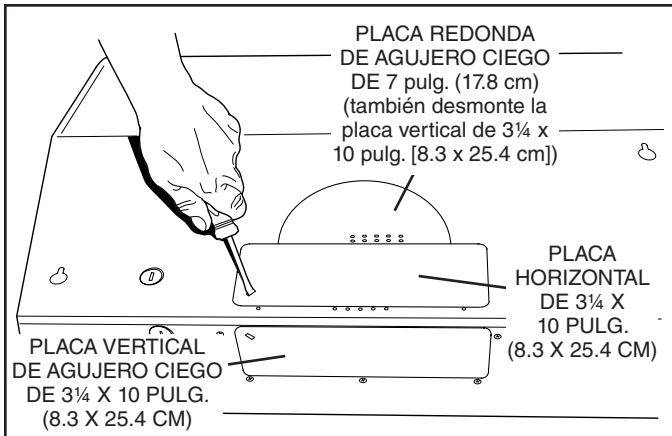
PARA INSTALACIONES SIN CONDUCTOS: pase directamente al paso "INSTALE LA CAMPANA".

INSTALE LA CAMPANA

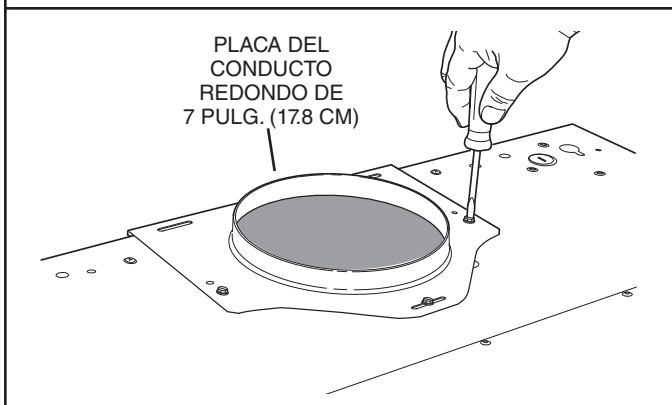
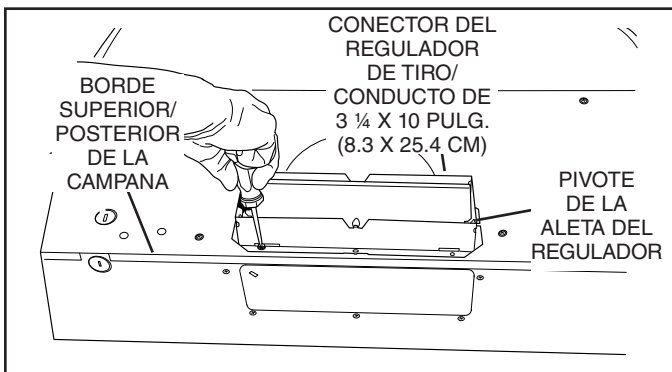


ADVERTENCIA

Para reducir el riesgo de una descarga eléctrica, desconecte el suministro eléctrico al panel de servicio. Bloquee el panel de servicio o póngale una etiqueta de seguridad para evitar que alguien conecte accidentalmente la energía eléctrica.



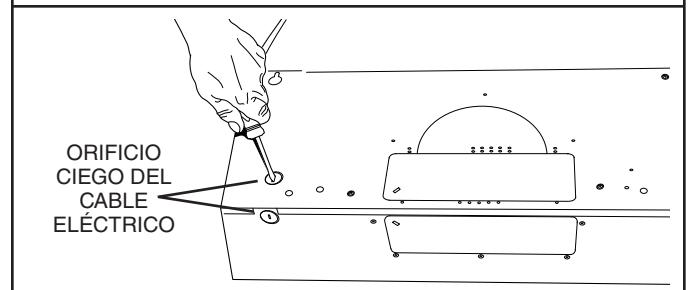
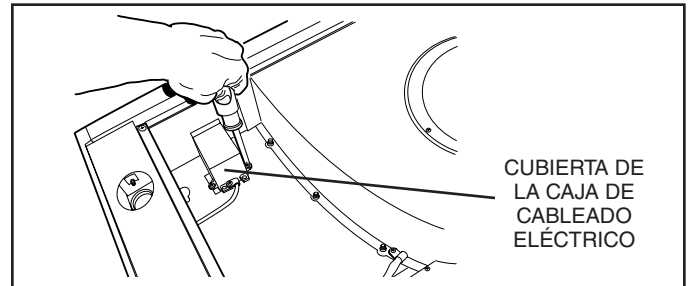
- 12 ÚNICAMENTE EN INSTALACIONES CON CONDUCTOS:**
 Retire las **placas de agujero ciego** vertical de 3 1/4 x 10 pulg. (8.3 x 25.4 cm), horizontal de 3 1/4 x 10 pulg. (8.3 x 25.4 cm), o redonda de 7 pulg. (17.8 cm), según corresponda a su método de conductos.



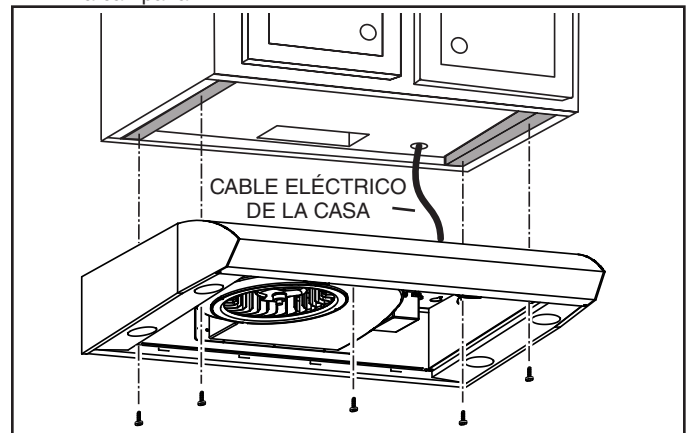
- 13 ÚNICAMENTE EN INSTALACIONES CON CONDUCTOS:**
 Acople el **conector del regulador de tiro/conducto de 3 1/4 pulg. x 10 pulg. (8.3 x 25.4 cm)** (si está usando el conducto de 3 1/4 pulg. x 10 pulg. [8.3 x 25.4 cm]) o la **placa redonda de 7 pulg. (17.8 cm)** (si está usando el conducto redondo de 7 pulg. [17.8 cm]) por la abertura del agujero ciego.

Notas:

Para acomodar los conductos descentrados: el conector del regulador de tiro/conducto de 3 1/4 x 10 pulg. (8.3 x 25.4 cm) puede instalarse a una distancia hasta de 1/2 pulg. (1.3 cm) desde el centro de la campana hacia cualquier lado, y la placa del conducto redondo de 7 pulg. (17.8 cm) puede instalarse a 1/2 pulg. (1.3 cm) desde el centro de la campana hacia cualquier lado.
 Instale el conector del regulador de tiro/conducto de 3 1/4 x 10 pulg. (8.3 x 25.4 cm) con el **pivote de aleta del regulador** más cercano al **borde superior/trasero de la campana** .

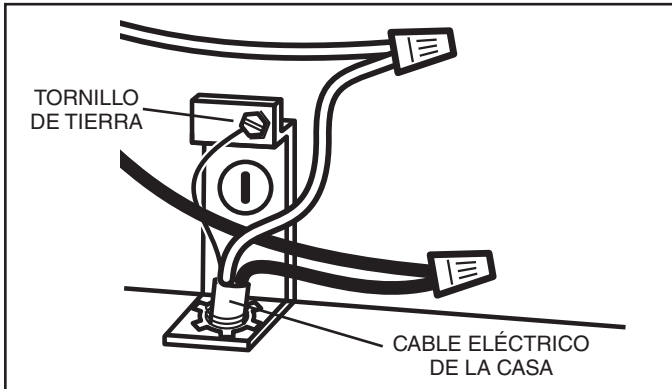


- 14** Quite la **cubierta de la caja de cableado** eléctrico del interior de la campana y el correspondiente **agujero ciego del cableado eléctrico** desde la parte superior o trasera de la campana.



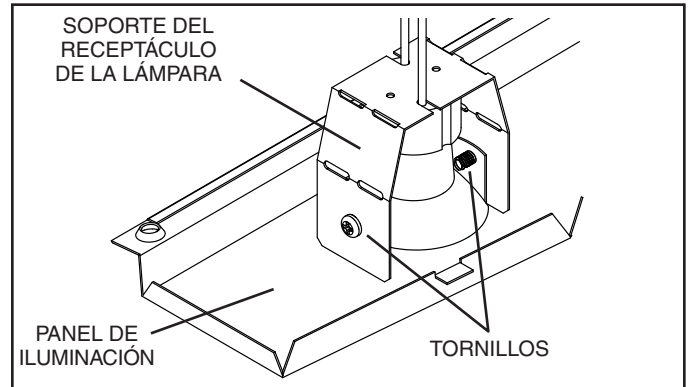
- 15** Tienda el **cable eléctrico de la casa** entre el panel de servicio y la campana. Conecte el cable eléctrico a la campana con la abrazadera apropiada.
- 16** Cuelgue la campana de los (4) orificios de montaje insertados parcialmente en las posiciones del gabinete (mostrado en las ilustraciones del apartado "PREPARE EL LUGAR DONDE SE VA A INSTALAR LA CAMPANA"). La bolsa de piezas contiene los tornillos de montaje. Deslice la campana hacia la pared hasta que las cabezas de los tornillos de montaje queden conectadas en el extremo angosto de los orificios tipo bocallave que están en la parte superior de la campana. Apriete bien los tornillos. Agregue el quinto tornillo de montaje en el agujero central de la campana y apriete con firmeza.
- 17** **ÚNICAMENTE EN INSTALACIONES CON CONDUCTOS:**
 Conecte el sistema de conductos a la campana y ponga cinta para conductos en las uniones para fijarlas y sellarlas. Asegúrese de que el conector del regulador de tiro/conducto entre a los conductos y que el regulador de tiro pueda abrirse y cerrarse libremente.

CONECTE EL CABLEADO



18 Conecte el **cable eléctrico de la casa** al cableado de la campana: cable NEGRO con NEGRO, BLANCO con BLANCO y VERDE o SIN FORRO al **tornillo de tierra**. Vuelva a colocar la cubierta de la caja de cableado eléctrico.

19 Vuelva a fijar el **recipiente inferior** con los 6 **tornillos** que quitó en el paso 6.



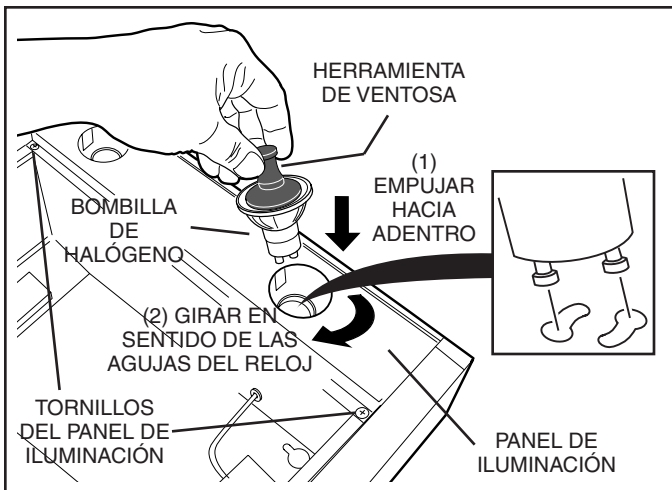
Para cambiar la profundidad de los receptáculos de las bombillas:

- Quite el recipiente inferior (vea el paso 6).
- Quite los 2 **tornillos del panel de iluminación** y el **panel de iluminación**. Deje los tornillos a un lado.
- Afloje 2 **tornillos** que **sostienen el soporte del receptáculo de la lámpara al panel de iluminación**.
- Ajuste el receptáculo/soporte a la profundidad deseada.
- Vuelva a apretar los tornillos con firmeza.
- Vuelva a colocar el panel de iluminación y el recipiente inferior.

21 **ÚNICAMENTE EN INSTALACIONES CON CONDUCTOS:**
 Instale de nuevo los filtros de aluminio que quitó en el Paso 5.

ÚNICAMENTE EN INSTALACIONES SIN CONDUCTOS:
 Instale los filtros de aluminio y los filtros sin conducto (comprados, e instalados en el paso 11).

INSTALE LAS BOMBILLAS



PRECAUCIÓN: Las bombillas podrían estar calientes. Consulte la información adicional en los paquetes de bombillas.

20 Instale las (4) **bombillas de halógeno** (incluidas con la campana). Utilice bombillas de halógeno con escudo protector de 120 V, 50 W (MR16 con base GU10).

NOTA: La **herramienta de ventosa** (incluida con la campana) sirve para instalar y quitar bombillas de luz.

Alinee las clavijas de la bombilla con la abertura de diámetro grande en el receptáculo, empuje la bombilla hacia la campana y luego gire hacia la derecha hasta que esté firmemente asentada.

La posición del receptáculo de la bombilla (profundidad) es ajustable, y podría necesitar ajuste cuando:

- a) Ciertas marcas de bombillas sean difíciles de instalar.
- b) La bombilla sobresalga demasiado por debajo del panel de la bombilla.

GARANTÍA

Garantía limitada por un año

Broan-NuTone garantiza al consumidor comprador original de sus productos que tales productos estarán libres de defectos en materiales o mano de obra durante un período de un (1) año a partir de la fecha de la compra original. NO EXISTEN OTRAS GARANTÍAS, EXPLÍCITAS O IMPLÍCITAS, INCLUYENDO, ENTRE OTRAS, GARANTÍAS IMPLÍCITAS DE COMERCIALIZACIÓN O APTITUD PARA UN PROPÓSITO PARTICULAR.

Durante este período de un año, Broan-NuTone, a su criterio, reparará o reemplazará sin cargo alguno cualquier pieza o producto que se encuentre defectuoso bajo condiciones normales de uso y servicio. LA PRESENTE GARANTÍA NO CUBRE LOS TUBOS FLUORESCENTES NI SUS ARRANCADORES, FILTROS, CONDUCTO, TAPONES DE TECHO O PAREDES Y DEMÁS ACCESORIOS DE CANALIZACIÓN. Esta garantía no cubre (a) mantenimiento y servicio normales, ni (b) ningún producto o piezas que se hayan sometido a uso inadecuado, negligencia, accidente, mantenimiento o reparación inadecuada (no hecha por Broan-NuTone), instalación incorrecta o instalación en contra de las instrucciones de instalación recomendadas.

La duración de cualquier garantía implícita se limita al período de un año, como se especifica para la garantía expresa. Algunos estados no permiten limitaciones en cuanto al tiempo de vencimiento de una garantía implícita, por lo que la limitación antes mencionada podría no aplicarse a usted.

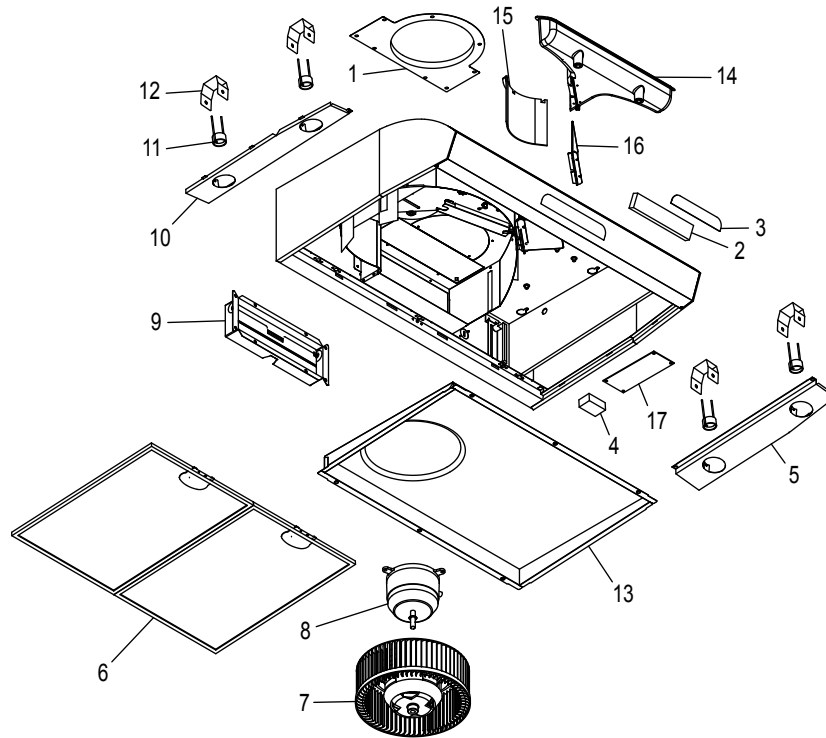
LA OBLIGACIÓN DE BROAN-NUTONE DE REPARAR O REEMPLAZAR, A CRITERIO DE BROAN-NUTONE, SERÁ EL ÚNICO Y EXCLUSIVO RECURSO DEL COMPRADOR BAJO ESTA GARANTÍA. BROAN-NUTONE NO SERÁ RESPONSABLE POR DAÑOS INCIDENTALES, RESULTANTES O ESPECIALES QUE SURJAN DEL USO O DESEMPEÑO DEL PRODUCTO O EN RELACIÓN CON EL MISMO. Algunos estados no permiten la exclusión o limitación de daños incidentales o consecuentes, por lo que la limitación antes mencionada podría no aplicarse a usted. Esta garantía le otorga derechos legales específicos, y usted podría tener otros derechos que varían entre estados. Esta garantía sustituye todas las garantías anteriores.

Para tener derecho al servicio de la garantía, usted debe (a) notificar a Broan NuTone a la dirección y número de teléfono que aparecen abajo, (b) proporcionar el número de modelo y la identificación de la pieza y (c) describir la naturaleza de cualquier defecto en el producto o pieza. En el momento de solicitar servicio cubierto por la garantía, debe de presentar un comprobante de la fecha original de compra.

Broan-NuTone LLC, 926 W. State Street, Hartford, Wisconsin 53027
 www.broan.com 800-558-1711

Broan-NuTone Canada, Inc., 1140 Tristar Drive, Mississauga, Ontario Canada L5T 1H9
 www.broan.ca 877-896-1119 Rev. 08/2007

PIEZAS DE SERVICIO



CLAVE N.º	PIEZA N.º	DESCRIPCIÓN
1	97017727	Placa redonda de 7 pulg. (17.8 cm) (incluye piezas de montaje)
2	97018245	Montaje de interfaz del usuario, color blanco (incluye interfaz, placa de identificación, piezas de montaje)
	97018246	Montaje de interfaz del usuario, color negro (incluye interfaz, placa de identificación, piezas de montaje)
	97018247	Montaje de interfaz del usuario, color crema (incluye interfaz, placa de identificación, piezas de montaje)
3	99528248	Placa de identificación, blanca
	99528249	Placa de identificación, negra
	99528250	Placa de identificación, crema
4	97018251	Juego de capacitor (incluye tuercas de alambre, tornillo de montaje)
5	97018225	Panel de luces DERECHO color blanco (incluye piezas de montaje)
	97018226	Panel de luces DERECHO color negro (incluye piezas de montaje)
	97018227	Panel de luces DERECHO de acero inoxidable (incluye piezas de montaje)
	97018228	Panel de luces DERECHO color crema (incluye piezas de montaje)
6	97018202	Juego de filtros de 30 pulg. (76 cm) (2 por bolsa)
	97018203	Juego de filtros de 36 pulg. (91.4 cm) (2 por bolsa)
	97018204	Juego de filtros de 42 pulg. (107 cm) (3 por bolsa)
7	97018220	Rueda de ventilador (incluye tuerca de montaje)
8	97018222	Juego de motor (incluye motor, aislantes, piezas de montaje)
9	97017728	Conector del regulador de tiro/conducto (incluye las piezas de montaje)
10	97018229	Panel de luces IZQUIERDO color blanco (incluye piezas de montaje)
	97018230	Panel de luces IZQUIERDO color negro (incluye piezas de montaje)
	97018231	Panel de luces IZQUIERDO de acero inoxidable (incluye piezas de montaje)
	97018232	Panel de luces IZQUIERDO color crema (incluye piezas de montaje)
11	97017731	Portalámpara (incluye portalámpara, tuercas para alambre, tornillos de montaje)
12	97018233	Soporte para portalámpara
13	97018236	Recipiente inferior de 30 pulg. (76 cm) (incluye piezas de montaje)
	97018237	Recipiente inferior de 36 pulg. (91.4 cm) (incluye piezas de montaje)
	97018238	Recipiente inferior de 42 pulg. (107 cm) (incluye piezas de montaje)
14	97018242	Placa de deslizamiento sin conductos (incluye empaque y piezas de montaje)
15	97018243	Desviador sin conductos (incluye las piezas de montaje)
16	97018244	Placa sin conductos (incluye las piezas de montaje)
17	97018254	Tablero de circuitos, no se muestra
No se muestra.	97018224	Bolsa de piezas (no se muestra)
No se muestra.	99010353	Juego de filtros sin conducto para 30 pulg. (76 cm) (2 filtros de carbón y 8 clips de filtro)
	99010354	Juego de filtros sin conducto para 36 pulg. (91.4 cm) (2 filtros de carbón y 8 clips de filtro)
	99010360	Juego de filtros sin conducto para 42 pulg. (107 cm) (3 filtros de carbón y 12 clips de filtro)
No se muestra.	99526707	Herramienta de ventosa
No se muestra.	97018252	Sensor de calor
No se muestra.	97018253	Fusible
No se muestra.	97018255	Cable de listón
No se muestra.	V05921	Bombilla de 50 W de halógeno GU10

Al pedir piezas de repuesto, indique el No. DE PIEZA, no el No. DE CLAVE.