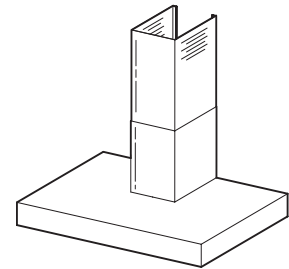


RM53000 SERIES RANGE HOOD



Clean lines and contemporary style make this wall-mounted, stainless steel hood a popular choice.

FEATURES

- Professional style design
- 430 Stainless Steel #4 Brushed construction
- Wall mount installation
- Ducted/non-ducted telescopic flue - fits 8 ft. to 9 ft. ceilings
- 6" round duct connector/backdraft damper
- 370 cfm centrifugal blower
- Three-speed slide control
- Dual halogen lighting (2 x 25 Watt, Type G9, 120V, 25 Watt Max., G-9 Base - bulbs included)
- Dishwasher-safe aluminum filter features a quick-release latch and professional style appearance
- Available size: 30", 36", 42"
- Heat Sentry™ - automatically turns blower to high speed when excess cooking heat is detected
- For indoor use only

OPTIONS

- Replacement grease filters available
- Non-ducted recirculation kit (Model RRK51)
- Replacement charcoal filter (Model FILTERSQUARE)
- Flue Extension for 10 ft. ceiling Model RFX5304 (ducted applications), Model RFXN5304 (non-ducted applications) (39-3/8" Long)

SPECIFICATIONS

| VOLTS | AMPS | CFM | SONES | DUCT |
|-------|------|-----|-------|----------|
| 120 | 2.63 | 370 | 7.0 | 6" round |



TYPICAL SPECIFICATION

Range hood shall be Broan RM53000 Series.

Unit shall be for indoor use only.

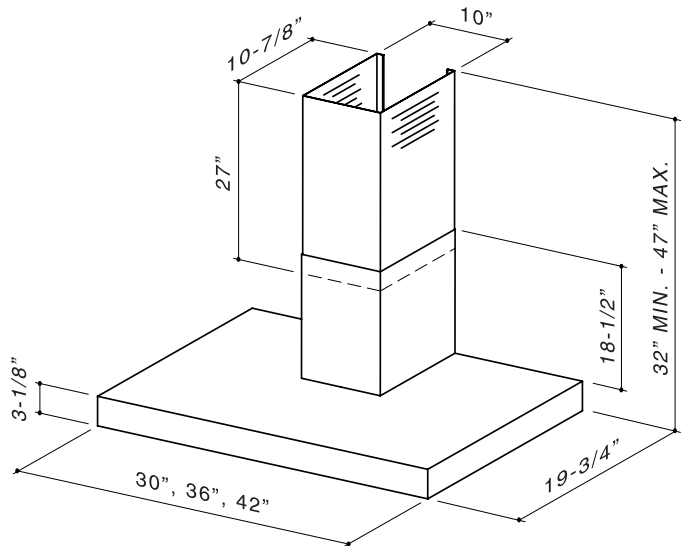
Unit shall be convertible between ducted (using a washable aluminum filter) and non-ducted (using a recirculation kit).

Motor to be permanently lubricated.

Unit shall have three-speed fan switch and separate light switch.

Air delivery shall be no less than 370 CFM.

Unit shall be U.L. and cUL listed.

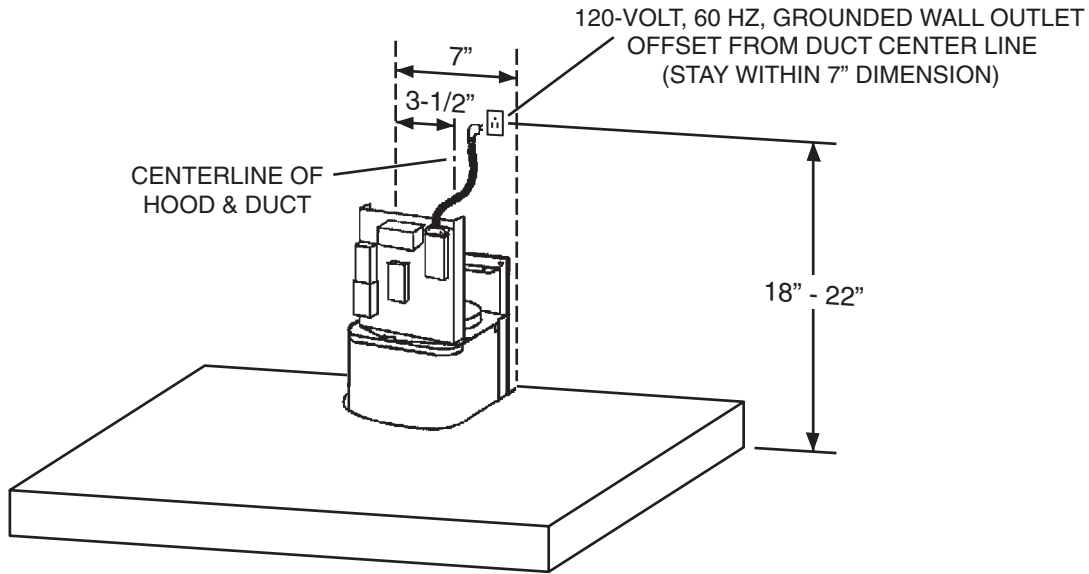


HVI-2100 CERTIFIED RATINGS comply with new testing technologies and procedures prescribed by the Home Ventilating Institute, for off-the-shelf products, as they are available to consumers. Product performance is rated at 0.1 in. static pressure, based on tests conducted in a state-of-the-art test laboratory. Sones are a measure of humanly-perceived loudness, based on laboratory measurements.

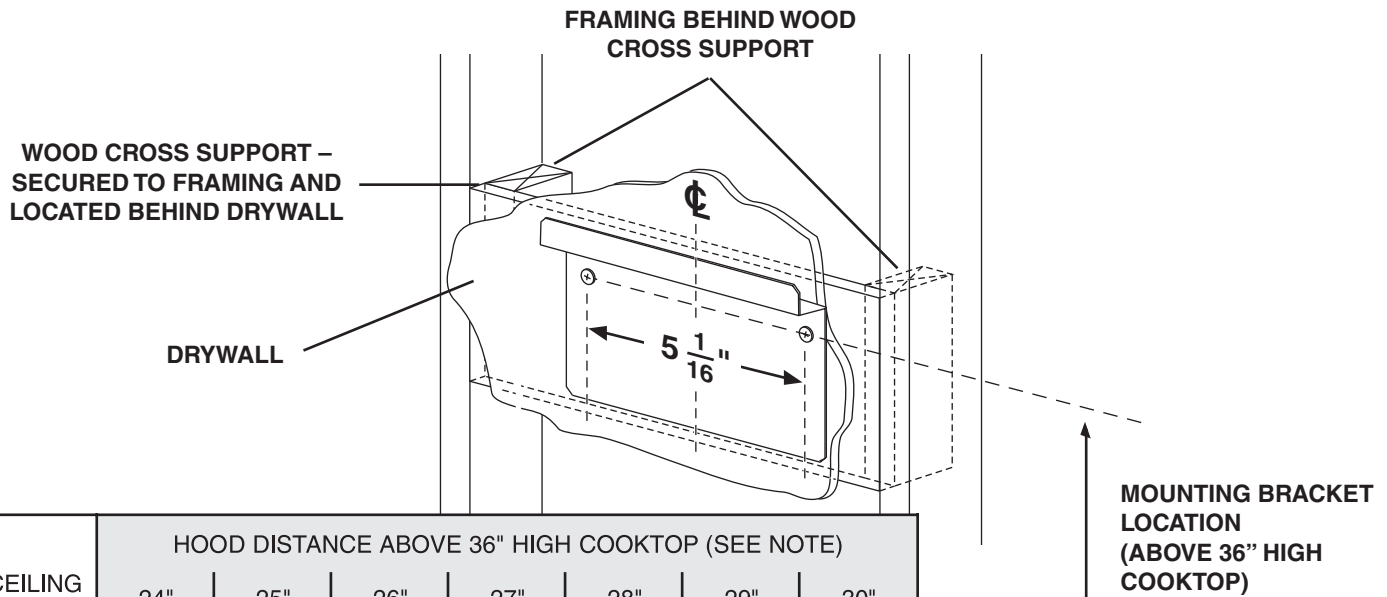
Broan-NuTone LLC Hartford, Wisconsin www.broan.com 800-558-1711
Broan-NuTone Canada, Inc. Mississauga, Ontario www.broan.ca 877-896-1119

| REFERENCE | QTY. | REMARKS | Project |
|-----------|------|---------|--------------|
| | | | Location |
| | | | Architect |
| | | | Engineer |
| | | | Contractor |
| | | | Submitted by |
| | | | Date |

RM53000 SERIES WIRING



RM53000 SERIES MOUNTING



| CEILING HEIGHT | HOOD DISTANCE ABOVE 36" HIGH COOKTOP (SEE NOTE) | | | | | | |
|------------------|--|-----|-----|-----|-----|-----|-----|
| | 24" | 25" | 26" | 27" | 28" | 29" | 30" |
| | MOUNTING BRACKET LOCATION ABOVE 36" HIGH COOKTOP | | | | | | |
| 8 FEET | 37" | 38" | 39" | 40" | 41" | | |
| 9 FEET | | 38" | 39" | 40" | 41" | 42" | 43" |
| 10 FEET (Note 2) | | 38" | 39" | 41" | 42" | 43" | 44" |

NOTES:

- Minimum hood distance above cooktop must not be less than 24".
A maximum of 30" above the cooktop is highly recommended for best capture of cooking impurities.
Distances over 30" above the cooktop are at the installer's and user's discretion - providing that ceiling height and flue length permit.
- Requires optional 10-foot flue extension model RFX5304 (ducted) or RFXN5304 (non-ducted).

