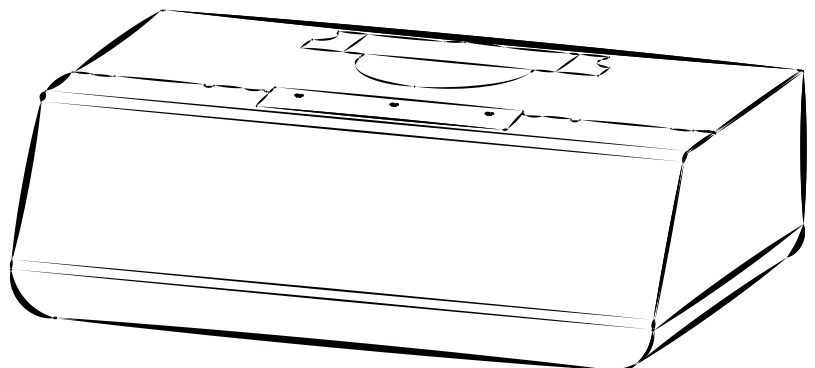


RANGE HOOD

Series: BPDC1, BPDP1 and NPDP1

INSTALLATION, USE AND CARE MANUAL



Serial number:

Safety 3-4

Operation 5

Cleaning and Maintenance 6

 Motors

 Grease Filters

 Non-Ducted Recirculation Filters

 Fan Wheels

 Stainless Steel Cleaning

Installation 7-21

 Recommended Tools
 and Accessories for Installation 7

 Install Ductwork (Ducted Installations Only) ... 7

 Contents 8

 Prepare the Hood 9-12

 Prepare the Hood Location 13

 EZ1 Person Installation 13-15

 Install the Hood (EZ1 Bracket) 16-17

 Standard Installation 18

 Install the Hood (Standard Installation) 19

 Connect the Wiring 20

 Halogen Light Bulbs (BPDC1 Series only) 21

 Install the Filters 21

Wiring Diagram 22-23

Service Parts 24-25

Warranty 26

READ AND SAVE THESE INSTRUCTIONS

⚠ Intended for domestic cooking only ⚠

INSTALLER: LEAVE THIS MANUAL WITH HOMEOWNER.

For Broan products in U.S.A., register your range hood online at www.broan.com
For NuTone products in U.S.A., register your range hood online at www.nutone.com
For Broan products in Canada, register your range hood online at www.broan.ca
For NuTone products in Canada, register your range hood online at www.nutone.ca

WARNING



TO REDUCE THE RISK OF FIRE, ELECTRIC SHOCK, OR INJURY TO PERSONS, OBSERVE THE FOLLOWING:

- Use this unit only in the manner intended by the manufacturer. If you have questions, contact the manufacturer at the address or telephone number listed in the warranty.
- Before servicing or cleaning unit, switch power off at service panel and lock the service disconnecting means to prevent power from being switched on accidentally. When the service disconnecting means cannot be locked, securely fasten a prominent warning device, such as a tag, to the service panel.
- Installation work and electrical wiring must be done by a qualified person(s) in accordance with all applicable codes and standards, including fire-rated construction.
- Sufficient air is needed for proper combustion and exhausting of gases through the flue (chimney) of fuel burning equipment to prevent backdrafting. Follow the heating equipment manufacturer's guidelines and safety standards such as those published by the National Fire Protection Association (NFPA) and the American Society for Heating, Refrigeration and Air Conditioning Engineers (ASHRAE) and the local code authorities.
- When cutting or drilling into wall or ceiling, do not damage electrical wiring and other hidden utilities.
- Ducted fans must always be vented to the outdoors.
- Do not use this unit with any additional solid-state speed control device.
- To reduce the risk of fire, use only metal ductwork.
- This unit must be grounded.
- As an alternative, this product may be installed with the UL-approved cord kit designated for the product, following instructions packed with the cord kit.
- When applicable local regulations comprise more restrictive installation and/or certification requirements, the aforementioned requirements prevail on those of this document and the installer agrees to conform to these at his own expense.

WARNING



TO REDUCE THE RISK OF A RANGE TOP GREASE FIRE:

- a) Never leave surface units unattended at high settings. Boilovers cause smoking and greasy spillovers that may ignite. Heat oils slowly on low or medium settings.
- b) Always turn hood ON when cooking at high heat or when flambing food (i.e.: Crêpes Suzette, Cherries Jubilee, Peppercorn Beef Flambé).
- c) Clean ventilating fan frequently. Grease should not be allowed to accumulate on fan, filters or in exhaust ducts.
- d) Use proper pan size. Always use cookware appropriate for the size of the surface element.

TO REDUCE THE RISK OF INJURY TO PERSONS IN THE EVENT OF A RANGE TOP GREASE FIRE, OBSERVE THE FOLLOWING*:

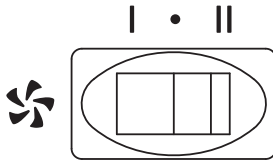
1. SMOTHER FLAMES with a close-fitting lid, cookie sheet or metal tray, then turn off the burner. BE CAREFUL TO PREVENT BURNS. IF THE FLAMES DO NOT GO OUT IMMEDIATELY, EVACUATE AND CALL THE FIRE DEPARTMENT.
2. NEVER PICK UP A FLAMING PAN — You may be burned.
3. DO NOT USE WATER, including wet dishcloths or towels — This could cause a violent steam explosion.
4. Use an extinguisher ONLY if:
 - A. You own a Class ABC extinguisher and you know how to operate it.
 - B. The fire is small and contained in the area where it started.
 - C. The fire department has been called.
 - D. You can fight the fire with your back to an exit.

* Based on "Kitchen Fire Safety Tips" published by NFPA.

CAUTION

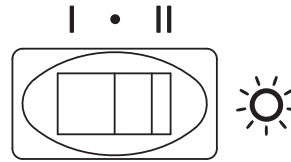
- For indoor use only.
- For general ventilating use only. Do not use to exhaust hazardous or explosive materials and vapors.
- To avoid motor bearing damage and noisy and/or unbalanced wheel, keep drywall spray, construction dust, etc. off range hood.
- Your hood motor has a thermal overload which will automatically shut off the motor if it becomes overheated. The motor will restart when it cools down. If the motor continues to shut off and restart, have the hood serviced.
- For best capture of cooking fumes, the bottom of the hood MUST NOT BE LESS than 18" and at a maximum of 30" above the cooking surface.
- Always follow the cooking equipment manufacturer's requirements regarding the ventilation needs.
- To reduce the risk of fire and to properly exhaust air, be sure to duct air outside — Do not exhaust air into spaces within walls or ceiling or into attics, crawl space or garage.
- When installing, servicing or cleaning the unit, it is recommended to wear safety glasses and gloves.
- Please read specification label on product for further information and requirements.

BPDC1 SERIES



BLOWER SWITCH

- | Turns blower on to LOW speed.
- Turns blower OFF.
- || Turns blower on to HIGH speed.



LIGHT SWITCH

- | Turns light on in LOW intensity.
- Turns light OFF.
- || Turns light on to HIGH intensity.

BPDP1 AND NPDP1 SERIES



BLOWER SWITCH

- Turns blower OFF.
- | Turns blower on to LOW speed.
- || Turns blower on to HIGH speed.



LIGHT SWITCH

- Turns light OFF.
- | Turns light on

Cleaning and Maintenance

Proper maintenance of the Range Hood will assure proper performance of the unit.

MOTORS

The motors are permanently lubricated and never need oiling. If the motor bearings make excessive or unusual noise, replace the motor with the exact service motor. The fan wheel should also be replaced.

GREASE FILTERS

The grease filters should be cleaned frequently. Use a warm dishwashing detergent solution. Grease filters are dishwasher safe.

Clean all-metal filters in the dishwasher using a non-phosphate detergent. Discoloration of the filters may occur if using phosphate detergents, or as a result of local water conditions - but this will not affect filter performance. This discoloration is not covered by the warranty. To minimize or prevent discoloration, hand wash filters using a mild detergent.

NON-DUCTED RECIRCULATION FILTERS

The non-ducted recirculation filters should be changed every 3 to 6 months. Replace more often if your cooking style generates extra grease, such as frying and wok cooking. Refer to installation instructions included with non-ducted recirculation filters.

FAN WHEELS

The center of the fan wheels should be cleaned frequently. Use a clean cloth soaked with warm detergent solution.

STAINLESS STEEL CLEANING

Do:

- Regularly wash with clean cloth or rag soaked with warm water and mild soap or liquid dish detergent.
- Always clean in the direction of original polish lines.
- Always rinse well with clear water (2 or 3 times) after cleaning. Wipe dry completely.
- You may also use a specialized household stainless steel cleaner.

Don't:

- Use any steel or stainless steel wool or any other scrapers to remove stubborn dirt.
- Use any harsh or abrasive cleansers.
- Allow dirt to accumulate.
- Let plaster dust or any other construction residues reach the hood. During construction/renovation, cover the range hood to make sure no dust sticks to the stainless steel surface.

Avoid when choosing a detergent:

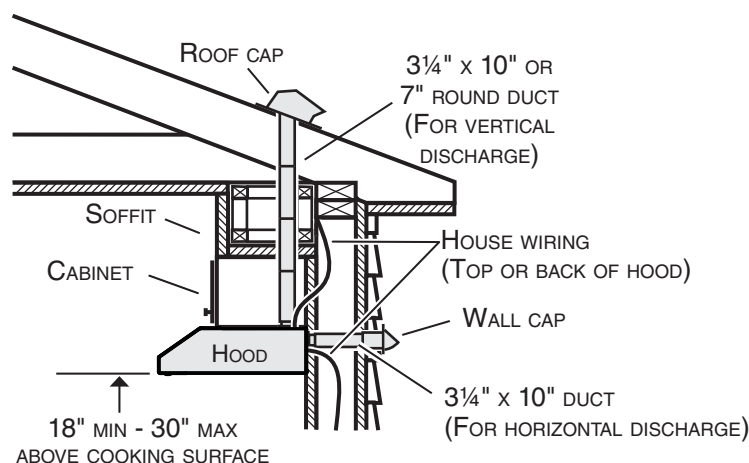
- Any cleaners that contain **bleach** will attack stainless steel.
- Any products containing: **chloride, fluoride, iodide, bromide** will deteriorate surfaces rapidly.
- Any combustible products used for cleaning such as **acetone, alcohol, ether, benzol**, etc., are highly explosive and should never be used close to a range.

For ADA compliance installation guidelines, please visit www.broan-nutone.com

Recommended Tools and Accessories for Installation

- Measuring tape
- Phillips screwdriver no. 2
- Nut driver or socket 11/32"
- Flat blade screwdriver (to open knockout holes)
- Drill, 1/8" drill bit and 1 1/2" hole saw (to mark holes for ducting and cut electrical access hole)
- 7/64" drill bit (to drill holes for EZ1 brackets mounting screws)
- 7" round duct plate, not included with BPDC Series (for 7" round vertical ducting installation, part no.: SR680508)
- Wood shims (2) and wood screws (4) (required for standard installation to framed cabinet)
- Saw (to cut holes for ducted application)
- Sheet metal shears (ducted installation only, for duct adjustment)
- Pliers (ducted installation only, for duct adjustment)
- Metal foil duct tape (for ducted applications)
- Scissors (to cut metal foil duct tape)
- Pencil
- Wire stripper
- Strain relief, 1/2" diameter (to secure house wiring cable to the hood)

Install Ductwork (Ducted Installations Only)



NOTE: Distances over 30" are at the installer and user discretion.

- 1] Determine whether hood will discharge vertically (3 1/4" x 10" or 7" round), or horizontally (3 1/4" x 10" only).
- 2] Decide where the ductwork will run between the hood and the outdoors.
- 3] Choose a straight, short duct run to allow the hood to perform most efficiently. Long duct runs, elbows and transitions will reduce the performance of the hood. Use as few of them as possible. When possible, use at least 2-foot straight runs before any turns. Larger ductwork may be required for best performance with longer duct runs.

NOTE: To use 6" round ducting, install a 3 1/4" x 10" to 6" round transition (not included). The performances may be affected.

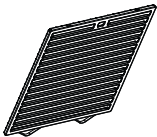


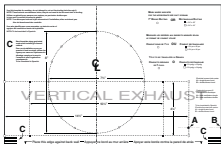






- 4] Install wall cap or roof cap (sold separately); ensure there is no leak in house insulation. Connect metal ductwork to cap and work back towards the hood location. Use 2" metal foil duct tape to seal the joints between ductwork sections.

Contents

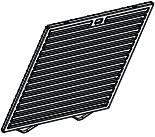
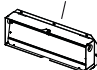

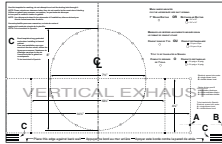

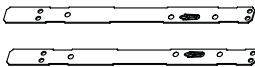



Before proceeding to the installation, check the contents of the box. If items are missing or damaged, contact the manufacturer.

Make sure that the following items are included:

BPDC1 Series

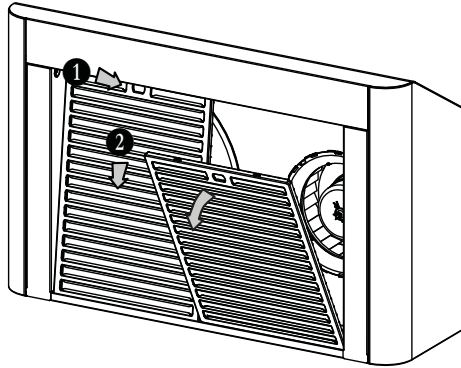
	
(2) GREASE FILTERS	(2) SHIELDED HALOGEN BULBS (50W, GU10)
	
(1) 3 1/4" x 10" DAMPER ASSEMBLY (FIND INSIDE OF HOOD)	
EZ1 COMPONENTS	
	(1) TEMPLATE FOR DUCTING (PRINTED BOTH SIDES)
	(2) INSTALLATION BRACKETS* FOR FRAMED CABINET
	(2) INSTALLATION BRACKETS* FOR FRAMELESS CABINET
* FIND EZ1 BRACKET ATTACHED INSIDE OF HOOD	
(1) PARTS BAG** CONTAINING:	
	(4) No. 8-18 x 1/2" METAL SCREWS
	(6) No. 8 x 1/2" COUNTERSUNK WOOD SCREWS
	(6) No. 8 x 5/8" RD. HD. WOOD SCREWS
	(1) BULB SUCTION CUP TOOL
** FIND PARTS BAG INSIDE OF HOOD	

BPDP1 and NPDP1 Series

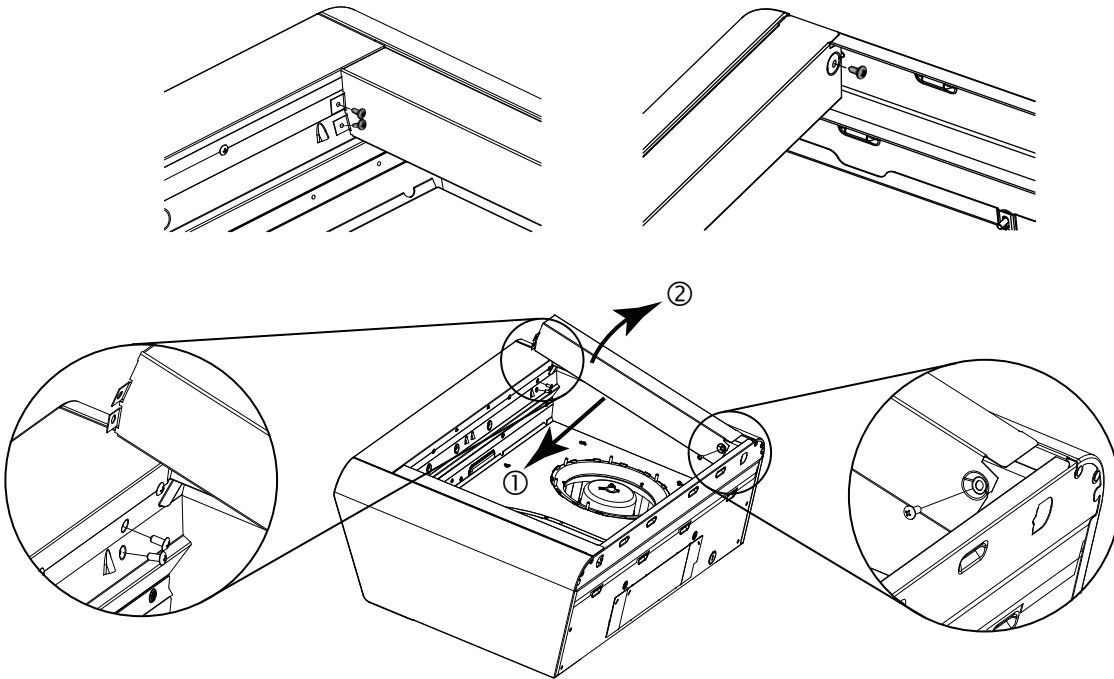
	* FIND INSIDE ONE PACKAGING STYROFOAM OF HOOD		
(2) GREASE FILTERS	(1) 3 1/4" x 10" DAMPER ASSEMBLY*	(1) 7" ROUND DUCT CONNECTOR	
EZ1 COMPONENTS			
		(1) TEMPLATE FOR DUCTING (PRINTED BOTH SIDES)	
		(2) INSTALLATION BRACKETS** FOR FRAMED CABINET	
		(2) INSTALLATION BRACKETS** FOR FRAMELESS CABINET	
** FIND EZ1 BRACKETS ATTACHED INSIDE OF HOOD			
(1) PARTS BAG*** CONTAINING:			
		(4) No. 8-18 x 1/2" METAL SCREWS	
	(6) No. 8 x 5/8" RD. HD. WOOD SCREWS		(6) No. 8 x 1/2" COUNTERSUNK WOOD SCREWS
*** FIND PARTS BAG INSIDE OF HOOD			

Prepare the Hood

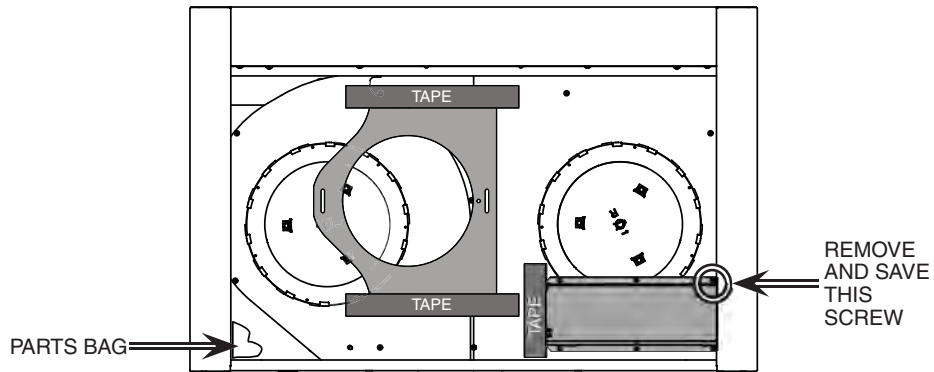
- 1] If present, remove all protective polyfilm from the hood and/or parts.
- 2] Using the finger cup, remove the grease filters from the hood by pushing down ❶ and tilting filters out ❷.



- 3] Remove both fillers by removing the 3 screws holding each one of them. Slide each one towards the center of the hood and tilt it up to remove it completely. Set the fillers and screws aside.

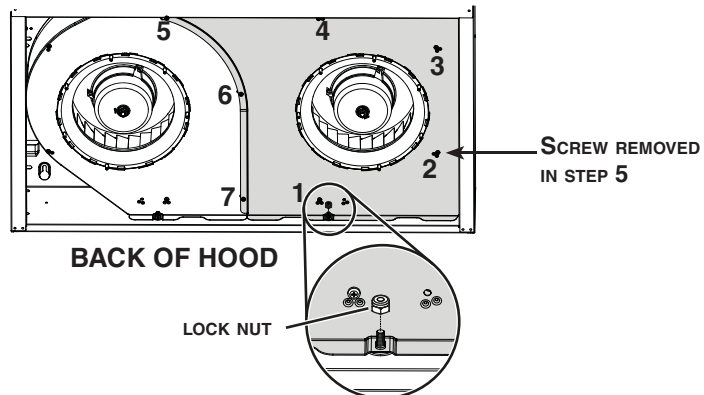


- 4] Remove both tape strips holding the 7" round adapter (not included with BPDC Series), and put the adapter aside.
- 5] Remove the screw holding the 3¼" x 10" adapter/damper and put the adapter/damper aside. **Save this screw, it will be used later to hold the cover plate.**
- 6] Remove the parts bag taped in the lower left corner of the hood.

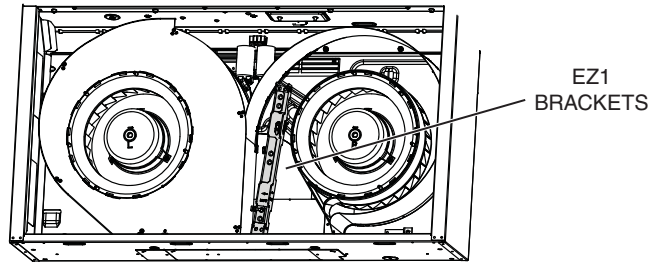


- 7] Using a 11/32" nut driver or socket, remove the lock nut retaining the flange of the right cover plate (shaded part on illustration below) to the inner back of hood (see inset). Remove the right cover plate retaining screws (7 screws), then set the blower cover along with its screws and nut aside.

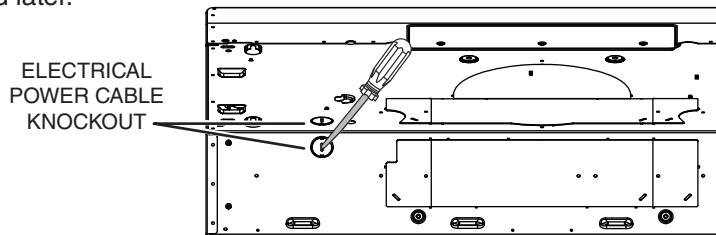
NOTE: For 30 in.-wide hoods, slightly lift up the cover plate before sliding it towards the left to remove it.



- 8] Remove the EZ1 brackets from inside the hood by cutting off the tie wrap. Discard the tie wrap.

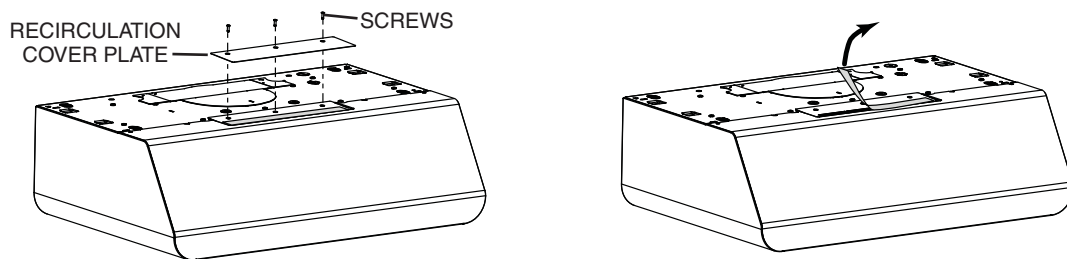


- 9] Remove Electrical Power Cable Knockout from top (vertical wiring) or back (horizontal wiring) of hood. For knockout removed from back of hood, install an appropriate strain relief, 1/2" diameter (not included). For knockout removed from top of hood, the strain relief will be installed later.



NON-DUCTED INSTALLATION ONLY

- 10] Remove the 3 screws retaining the recirculation cover plate to the hood. Discard this plate with its screws.
- 11] Peel off and discard the membrane covering the recirculation grille, ensuring the openings are totally cleared.



DUCTED INSTALLATION ONLY

- 10] Remove 3¼" x 10" vertical, 3¼" x 10" horizontal (both are the rectangular **central** knockout plates, see hatched areas) or 7-inch round knockout plate as appropriate for your ducting method (see **FIGURES 1 A** and **1 B**).

FIGURE 1 A

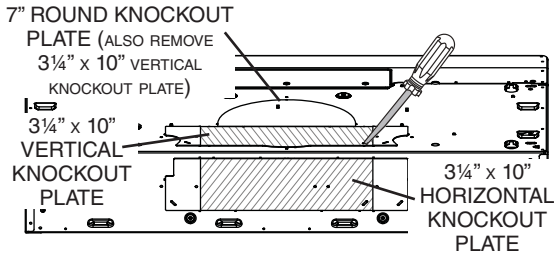
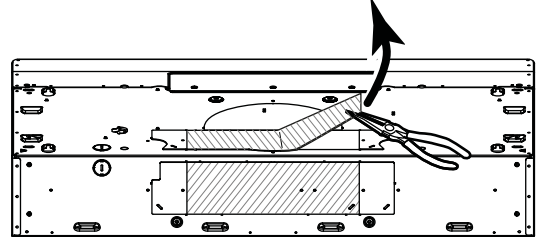


FIGURE 1 B



- 11] Using the screws located on top of the hood (**FIGURE 2**), attach the 3¼" x 10" Damper Assembly on top OR back of hood (if using 3¼" x 10" duct; shaded part in **FIGURE 3 A** below) or 7" Round Duct Plate (if using 7-inch round duct, **FIGURE 4**) over the knockout opening. When installed, the 3¼" x 10" damper assembly must open as shown in **FIGURE 3 B**.

FIGURE 2

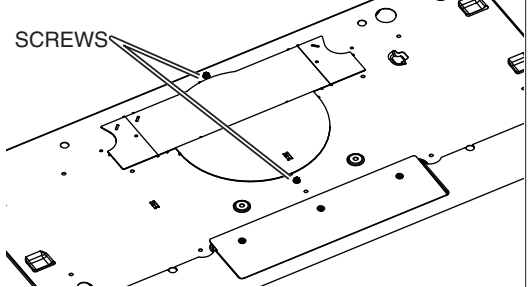


FIGURE 3 A

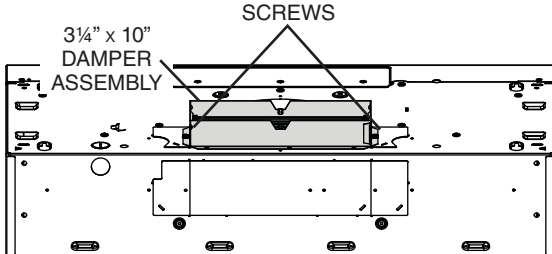


FIGURE 3 B

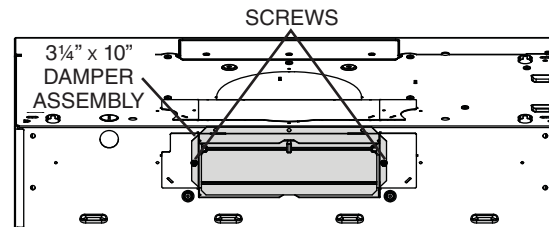
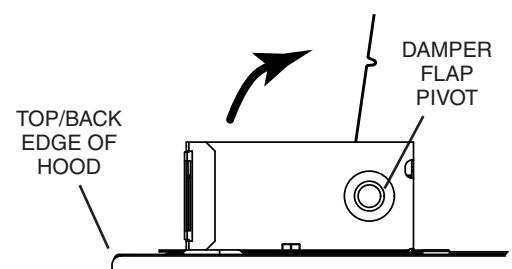
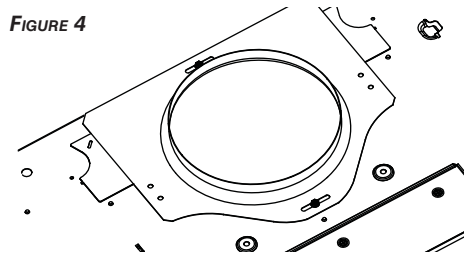


FIGURE 4



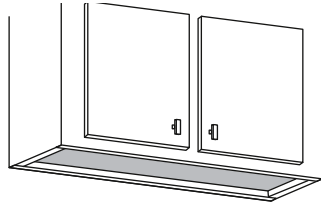
NOTE: To accommodate off-center ductwork, the 7" round duct plate can be installed up to 1/2" on either side of the hood center.

TIP: Insert a small length of duct over the 3¼" x 10" damper assembly (for rectangular ducting) or 7" round (for round ducting) and seal the joint using aluminum foil duct tape to ease connection with the house ductwork.

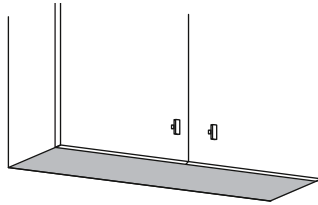
Prepare the Hood Location

NOTE: Before starting installation, read all the steps of these instructions. Use the illustration below to identify your kitchen cabinet type.

FRAMED CABINET



FRAMELESS CABINET



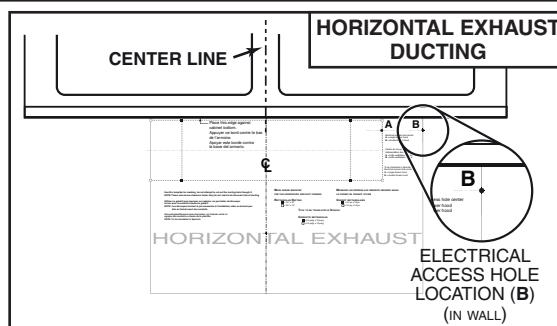
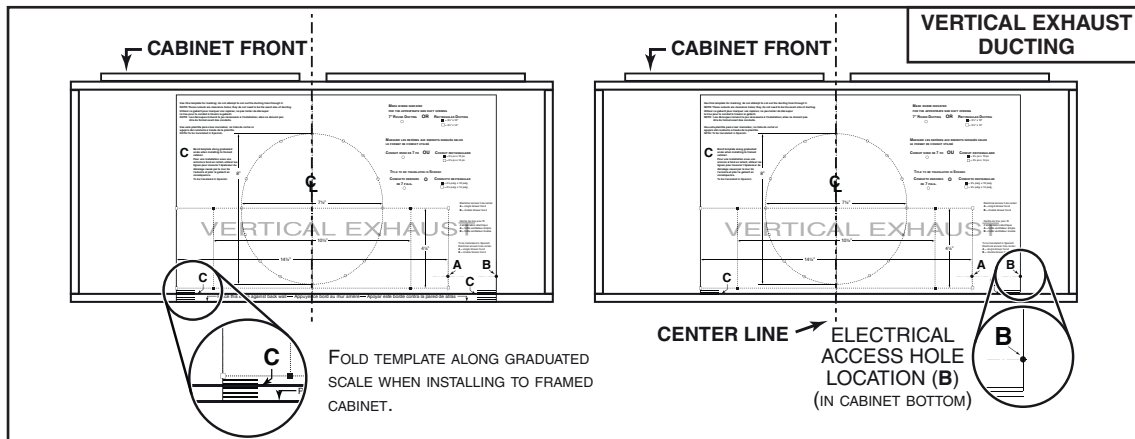
This manual covers 2 kinds of installation: the standard (without EZ1 brackets) and the EZ1 one-person installation system (using included template and brackets). For the standard installation, go to page 18.

EZ1 one-person installation system

EZ1 installation is designed for use with kitchen cabinets that have the same width designation as the range hood width. If the cabinet is greater than 1/2" wider than the range hood width, please use the standard installation method.

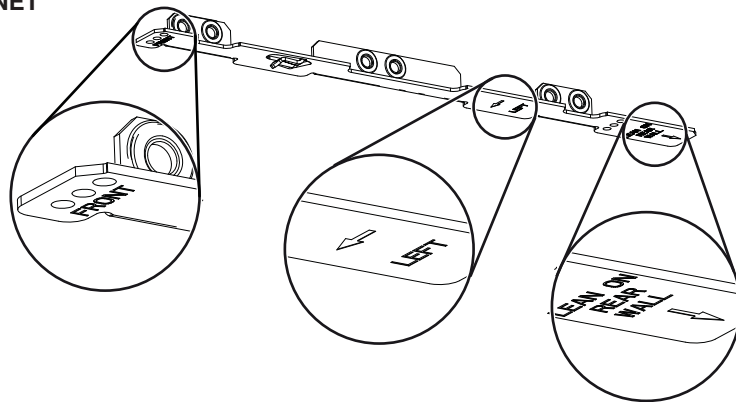
- 1] Use the proper template for vertical OR horizontal discharge (included) for placement of ductwork and electrical cutout in cabinet or wall. For a non-ducted installation, DO NOT cut a duct access hole, only cut the hole for electrical wiring. **If replacing a hood and plan to use the existing duct and electrical, steps 2 to 5 may not be necessary. If so, skip to step 6.**
- 2] Measure and mark the hood center line on cabinet bottom.
- 3] Align the center line on template with the hood center line marked on the bottom of the cabinet, placing the edge (where indicated) of the template against back wall. When using with framed cabinet for vertical exhaust installation, fold over rear edge of template equal to the depth of the cabinet frame at the wall (use graduations on template, **C** locations on template). Tape the template in place.

NOTE: When facing the installation, **A** and **B** (on template) must be at right.

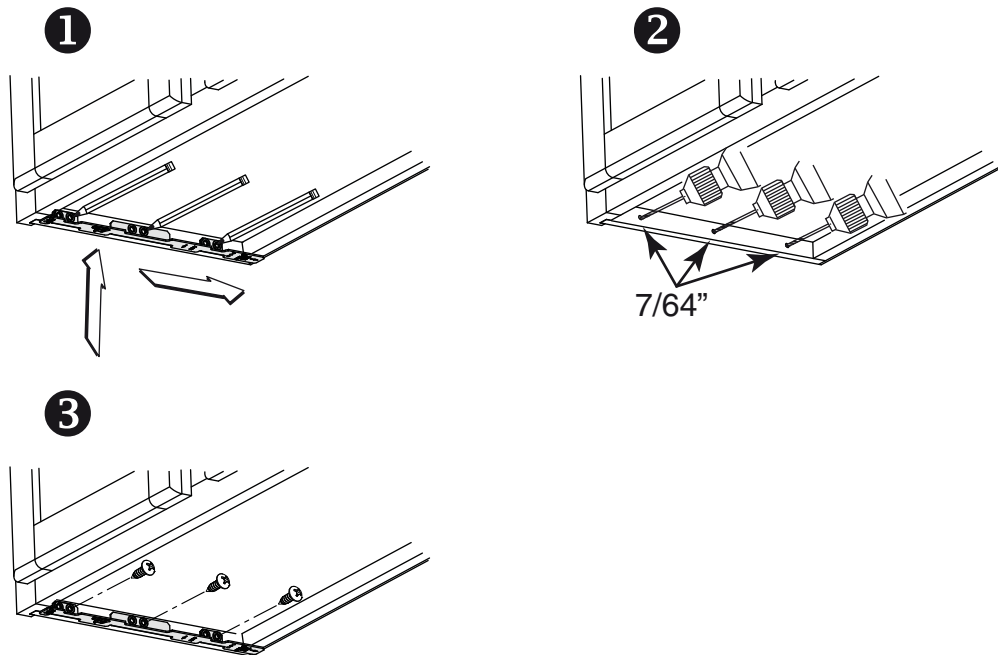


- 4] Drill a 1/8" dia. pilot hole for house wiring, at **B** location on template.
- 5] Use a sharp pencil or 1/8" drill bit to mark the locations for the appropriate duct access holes (16 locations for 7" round duct, or 4 corner locations for rectangular duct). Remove the template.
- 6] Draw the border for the exhaust ducting by linking its marks (16 for round duct and 4 for rectangular duct), then cut the opening in the cabinet bottom (vertical exhaust) or in the wall (horizontal exhaust). Drill the house wiring hole by using a 1 1/2" hole saw centered with the pilot hole previously made in 4.
- 7] Install the proper installation brackets according to the type of cabinet (framed or frameless). See below.

FRAMED CABINET

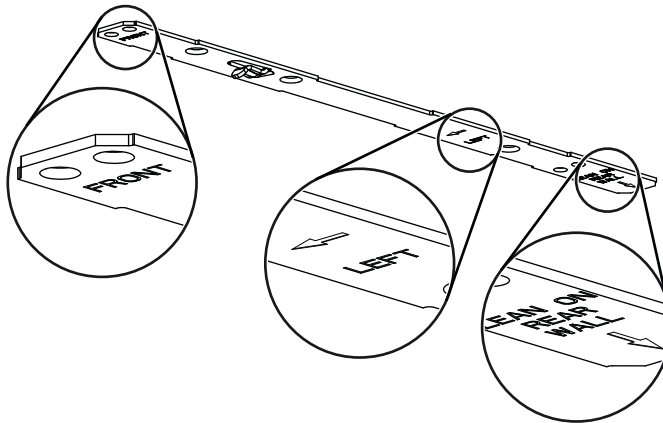


Refer to the marking on brackets to determine the correct installation side and orientation.

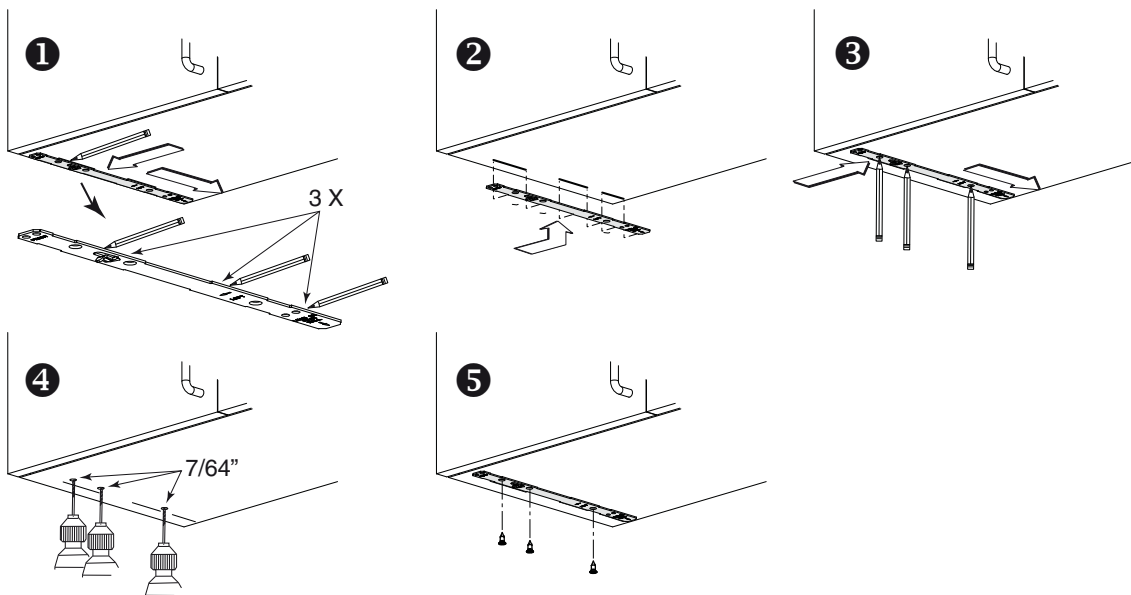


- 1] Mate the corresponding bracket to the cabinet side frame, while placing rear end of bracket against the wall. Use a pencil to mark 3 holes (there are 6 holes but only 3 are necessary).
- 2] Remove the bracket. Using a 7/64" drill bit, drill 3 holes where marked.
- 3] Assemble the bracket to the side frame using a Phillips screwdriver and 3 provided no. 8 x 5/8" wood screws. Repeat for the other side frame.

FRAMELESS CABINET



Refer to the marking on brackets to determine the correct installation side and orientation.

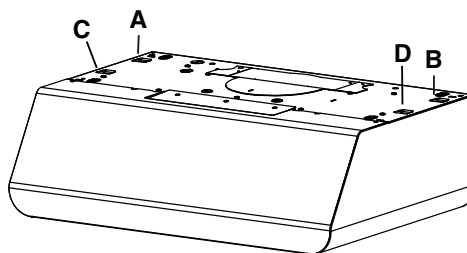


- 1 Align the corresponding bracket to the cabinet side, while placing rear end of bracket against the wall. Draw a line on the outer edge of the bracket (as shown).
- 2 Slide the bracket towards the center of cabinet and align outside edge of the bracket to marked line, keeping the rear end edge leaning on the wall.
- 3 Use a pencil to mark 3 holes.
- 4 Remove the bracket. Using a 7/64" drill bit, drill 3 holes where marked.
- 5 Assemble the bracket to the cabinet bottom using a Phillips screwdriver and 3 provided countersunk wood screws. Repeat for the other cabinet side.

Install the Hood (EZ1 Bracket)

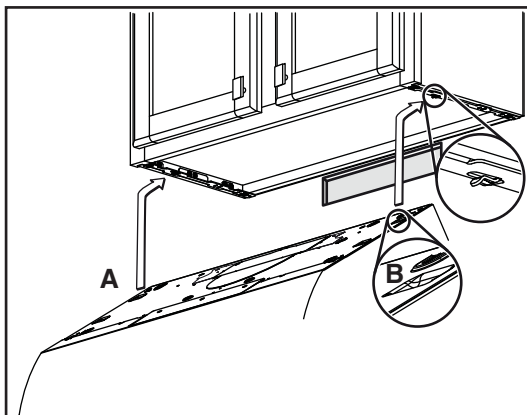
NOTE: The following procedure applies to both frame or frameless cabinet installations.

- 1] Run house power cable between service panel and hood location.
- 2] There are 2 pairs of recessed holes on each side of the top of the hood (on rear: **A** and **B**, on front **C** and **D** on illustration below); these holes allow the range hood to hang on the brackets (previously installed).



HORIZONTAL EXHAUST INSTALLATION ONLY

- 3] Temporarily hang the hood on the brackets using its 2 recessed REAR HOLES (**A** and **B**). **While holding the hood**, run the house power cable into the hood through the strain relief previously installed in step 9 on page 11.



- 4] Unhook the rear holes from the brackets and hang the hood using its 2 recessed FRONT HOLES (**C** and **D**). **While holding the hood**, go to step 6.

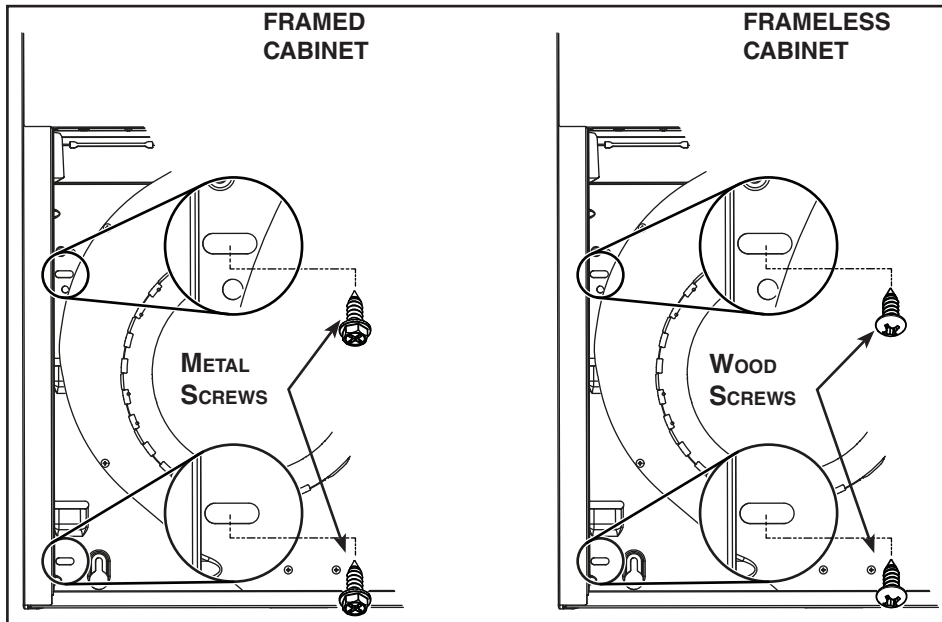
VERTICAL EXHAUST INSTALLATION ONLY

- 5] Hang the hood on the brackets using the 2 recessed FRONT HOLES (**C** and **D**). **While holding the hood**, tighten an appropriate strain relief, 1/2" diameter (not included) to the power cable, then insert the strain relief in the knockout hole.

DUCTED INSTALLATION ONLY

- 6] Connect ductwork to hood and use metal foil duct tape to make joints secure and air-tight. Make sure the damper assembly (or round duct plate) enters the ductwork and that the damper opens and closes freely.

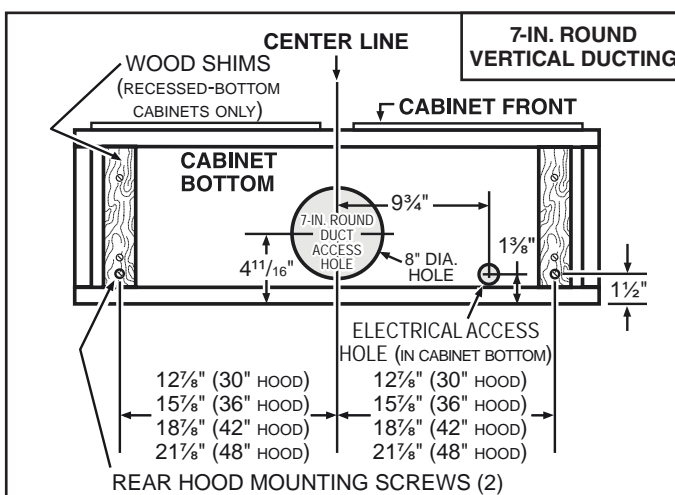
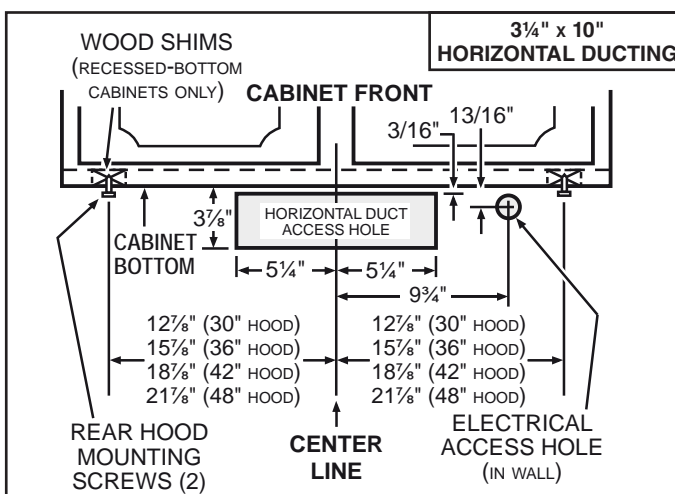
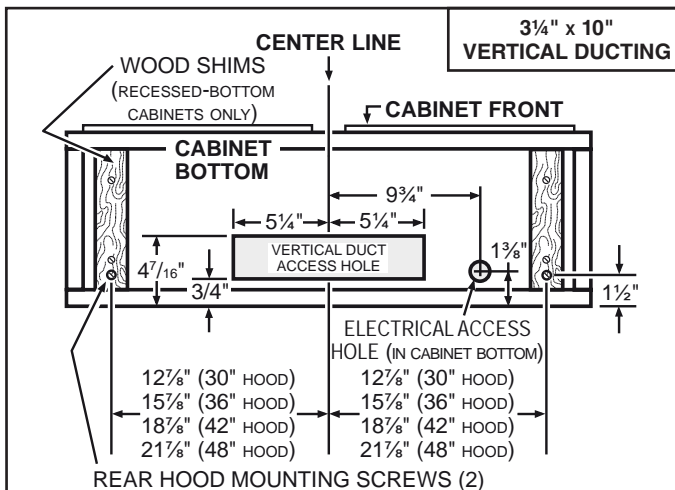
- 7] **For framed cabinet**, secure the hood to the EZ1 brackets using a 10" drill bit and 4 no. 8-18 x 1/2" metal screws (included in parts bag). Insert 2 screws per side, in the slots (as shown in inset on illustration below).
- 8] **For frameless cabinet**, secure the hood to the cabinet using a 10" drill bit and 4 no. 8 x 5/8" round head wood screws (included in parts bag). Insert 2 screws per side, in the slots (as shown in inset on illustration below).



- 9] Attach power cable to the hood using the strain relief.

Standard Installation (without EZ1 brackets)

- 1] Use the proper diagram below for placement of ductwork and electrical cutout in cabinet or wall. For a non-ducted installation, DO NOT cut a duct access hole, only cut the hole for electrical wiring.

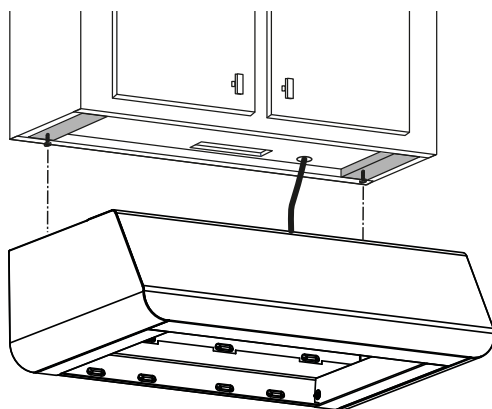


- 2] Install part-way 2 ROUND HEAD no. 8 x 5/8" mounting screws into shims/cabinet, according to the proper diagram above, the other 2 ROUND HEAD no. 8 x 5/8" mounting screws will be used later. Mounting screws are included in parts bag, but wood shims and shim mounting screws are not.

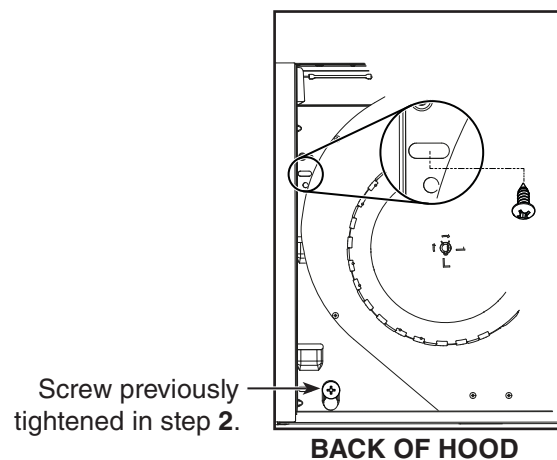
Install the Hood (Standard Installation)

NOTE: Two installers are recommended because of the weight of this hood.

- 1] Run house power cable between service panel and hood location. For hood with power cable access located on back of hood, run the house power cable into the hood through the strain relief previously installed in step 9 on page 11. For hood with power cable access located on top, tighten the strain relief to the power cable before inserting the strain relief in the knockout hole.
- 2] Hang hood from 2 rear mounting screws previously installed. Slide hood back towards wall until mounting screw heads are engaged in narrow end of keyhole slots in top of hood. Tighten screws securely and maintain a hold on the hood until completing step 3.



- 3] Secure the hood to the cabinet using 2 no. 8 x 5/8" round head wood screws (included in parts bag). Insert 1 screw per side, in the slots (as shown below). Attach power cable to the hood using the strain relief.



DUCTED INSTALLATION ONLY

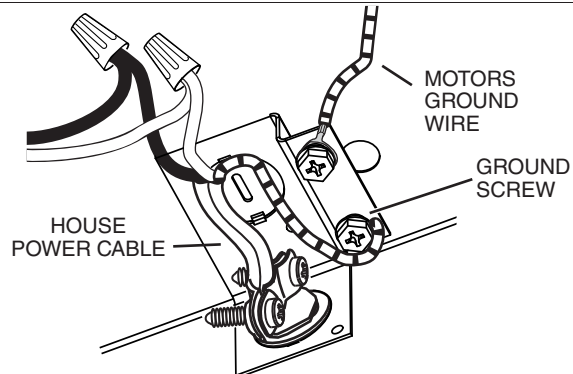
- 4] Connect ductwork to hood and use metal foil duct tape to make joints secure and airtight. Make sure that the damper assembly (or round duct plate) enters the ductwork and that the damper opens and closes freely.

Connect the Wiring

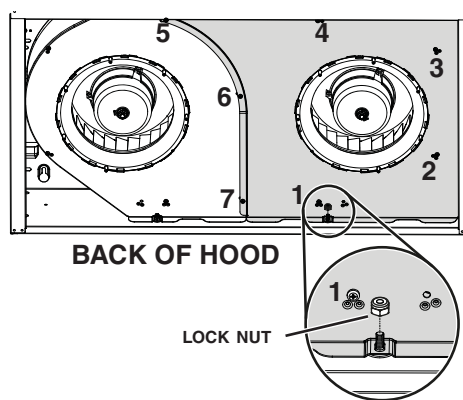
WARNING



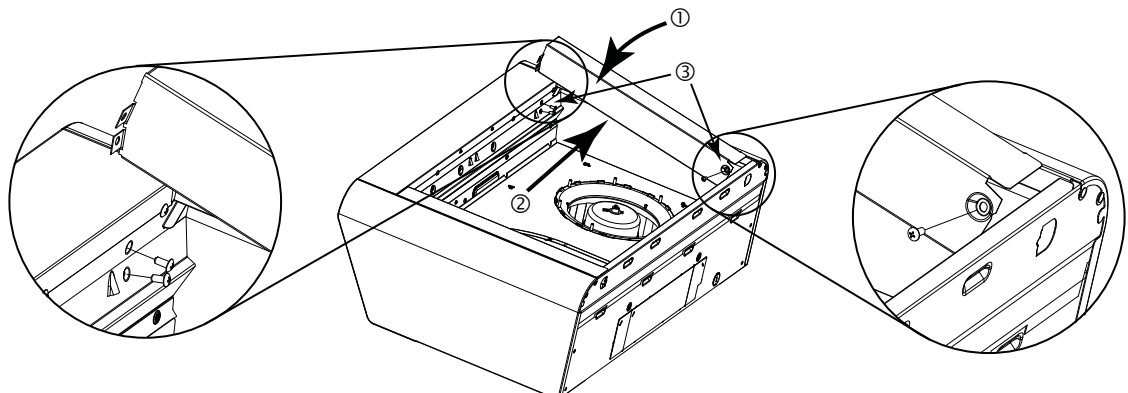
Risk of electric shock. Electrical wiring must be done by qualified personnel in accordance with all applicable codes and standards. Before connecting wires, switch power off at service panel and lock service disconnecting means to prevent power from being switched on accidentally.



- 1] Connect House Power Cable to range hood wiring: BLACK to BLACK, WHITE to WHITE and GREEN or bare wire under GREEN ground screw.
- 2] Reinstall the blower cover plate (shaded part on illustration below) using the lock nut and 7 screws previously removed in step 7 on page 10. Pay attention to screw 1 location; from back of hood point of view, it must be located on left side of the lock nut (see inset).



- 3] Reinstall the fillers by following steps as illustrated below.

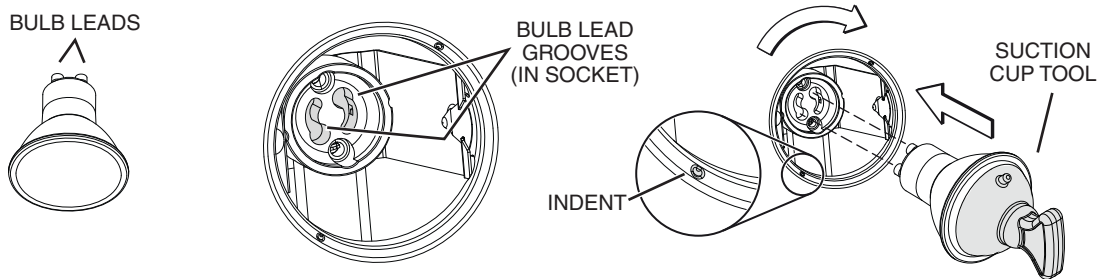


Halogen Light Bulbs (BPDC1 Series only)

The BPDC1 Series range hoods require two shielded Halogen Bulbs (120 V, 50 W max., MR16 or PAR16 with GU10 base), included.

WARNING

Do not touch lamps during or soon after operation. Burns may occur. In order to prevent the risk of personal injury, only install shielded halogen lamps. Also, never install a cool beam, a dichroic lamp, a lamp not suitable for use in recessed luminaires or identified for use in enclosed fixtures.



- 1] Align the bulb leads with the small indentations located on the border of the lamp location on hood (see inset above), then install the bulbs by placing the bulb leads into their grooves in the socket.
- 2] Gently push upwards and turn clockwise until secure.

NOTE: The Suction Cup Tool (included with hoods) can be used to install and remove light bulbs. Press suction cup tool on bulb and rotate counterclockwise to remove bulb or clockwise to install bulb.

CAUTION

Most GU10 LED replacement bulbs commonly found in the market are not designed for use in a cooking environment and might not perform as advertised. Their usage with this product is not recommended.

Install the Filters

Ducted Installation Only:

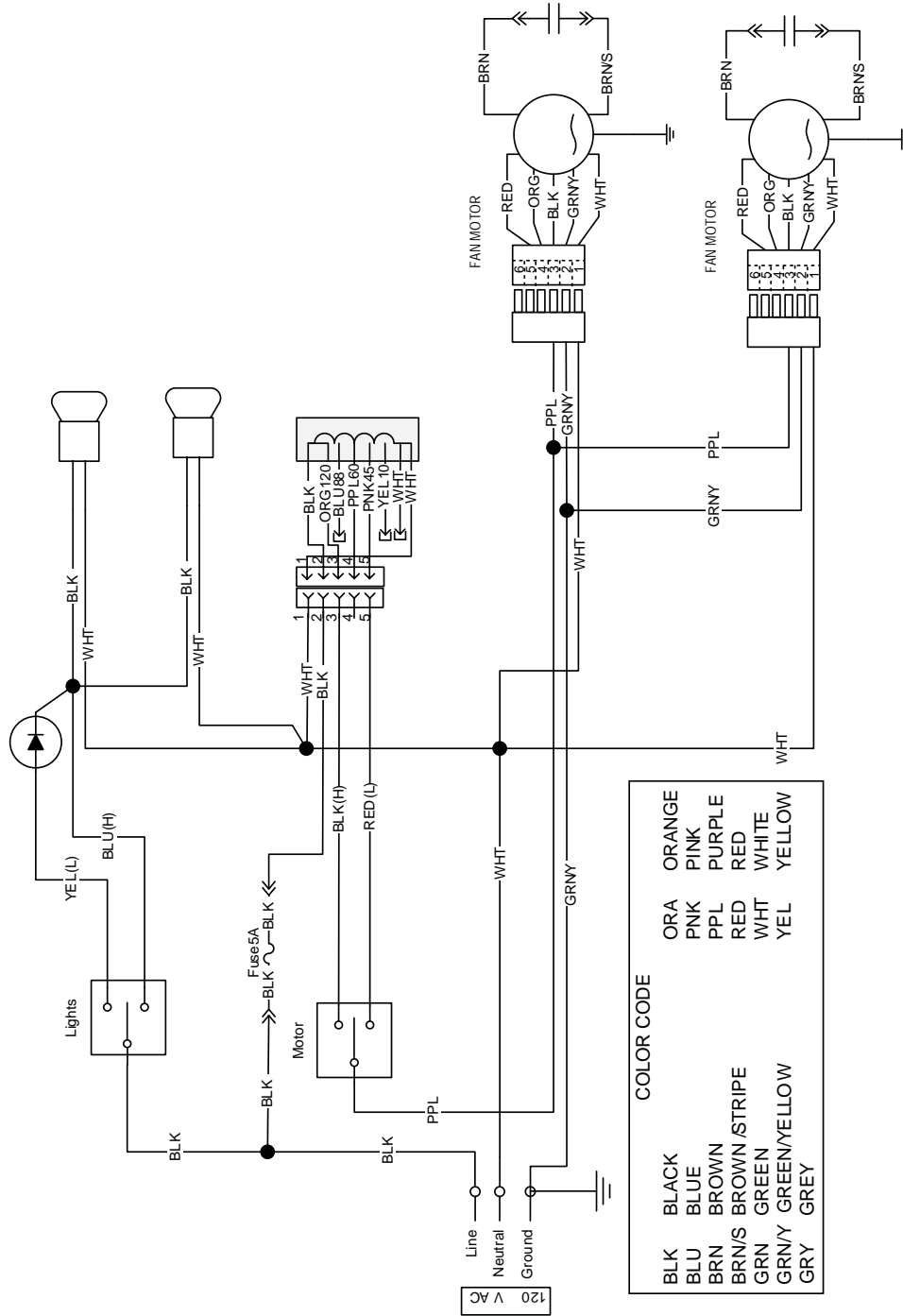
Re-install grease filters removed in step 2 , page 9, under “Prepare the Hood”

Non-ducted Installation Only:

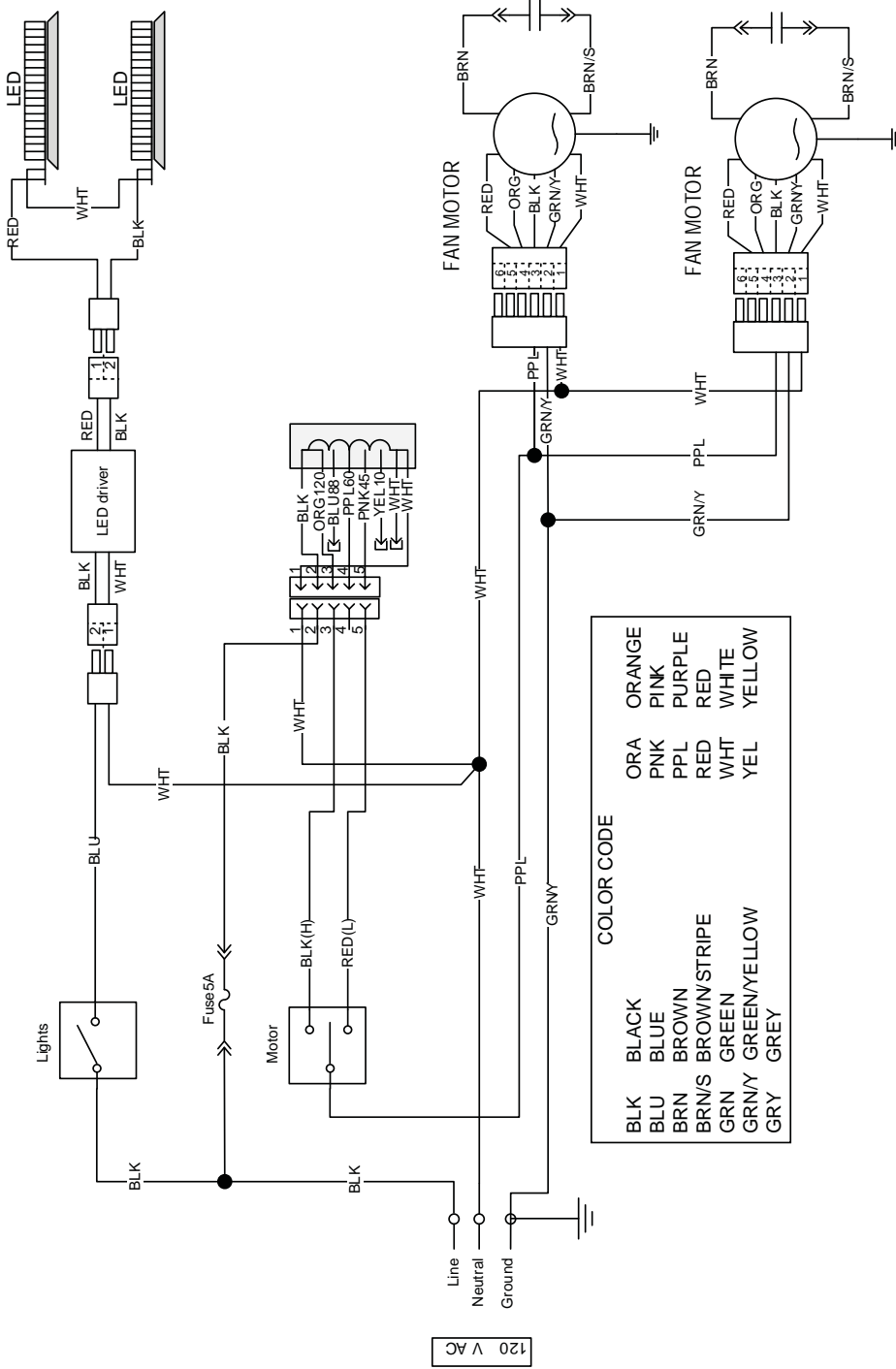
Purchase two non-ducted filters from your local distributor or retailer (see product specification label for filter type). Attach the non-ducted filters following instructions packed with the non-ducted filters.

WIRING DIAGRAM

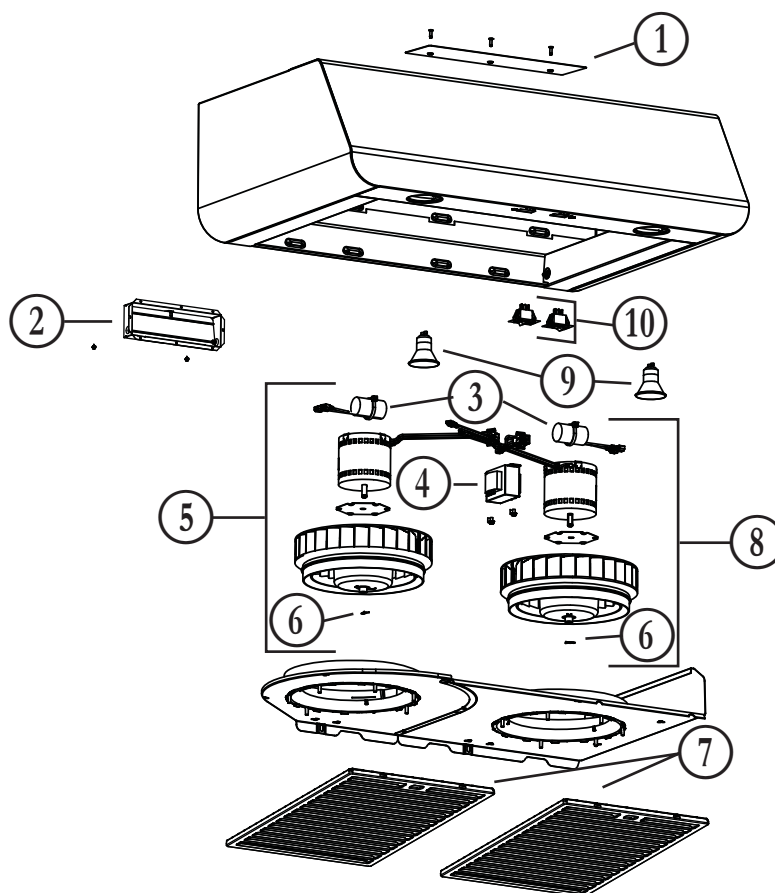
BPDC1 SERIES



BPDP1 AND NPDP1 SERIES



BPDC1 SERIES



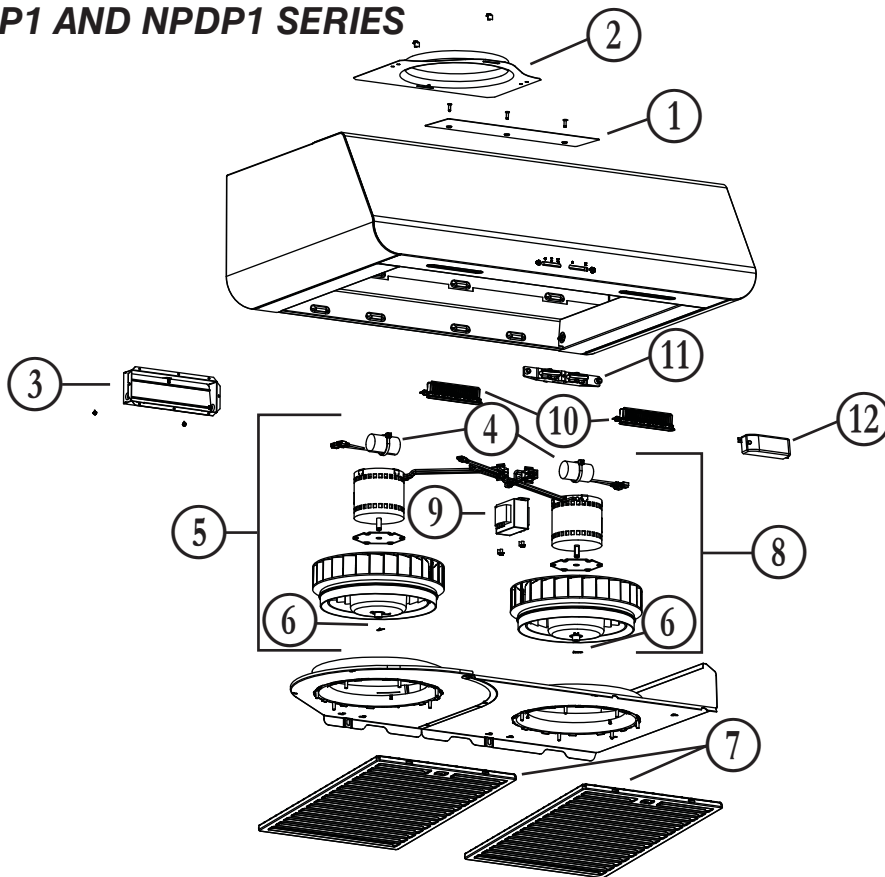
KEY NO.	PART NO.	DESCRIPTION	QUANTITY	
			30"	36"
1	S97020031	RECIRCULATION COVER PLATE, STAINLESS STEEL (INCLUDING SCREWS)	1	1
2	S97020534	3 1/4" x 10" DAMPER ASSEMBLY (INCLUDING SCREWS)	1	1
3	S97020412	CAPACITOR (INCLUDING TIE WRAP)	2	2
4	S97020797	AUTOTRANSFORMER (WITH SCREWS)	1	1
5	S97020842	BLOWER ASS'Y CW (INCLUDING ITEMS 3 AND 6 AND HARDWARE)	1	1
6	SR99420635	CLIP FOR FANPELLER	2	2
7	S97020204-001	GREASE FILTER - HYBRID -TYPE B5 (SET OF 2)	1	
	S97020204-002	GREASE FILTER - HYBRID -TYPE C5 (SET OF 2)		1
8	S97020843	BLOWER ASS'Y CCW (INCLUDING ITEMS 3 AND 6 AND HARDWARE)	1	1
9	SV05921	SHIELDED HALOGEN BULB 50 W, GU10	2	2
10	S99030367	ROCKER SWITCH, GREY (SET OF 2)	1	1
*	S97020771	WIRE HARNESS WITH AUTOTRANSFORMER AND FUSE	1	1
*	S97020292	PARTS BAG INCLUDING: 4 METAL SCREWS NO. 8-18 x 1/2"; 6 ROUND HEAD NO. 8 x 5/8" WOOD SCREWS, 6 NO. 8 x 1/2" COUNTERSUNK SCREWS, 1 SUCTION CUP TOOL	1	1
*	S97020465	NON-DUCTED FILTER - TYPE Xb (SET OF 2) (NON-DUCTED INSTALLATION ONLY)	1	
	S97020466	NON-DUCTED FILTER - TYPE Xc (SET OF 2) (NON-DUCTED INSTALLATION ONLY)		1
*	S99527587	NON-DUCTED FILTER CLIP KIT (INCLUDES 4 CLIPS)	1	1
*	S97020470	EASY INSTALL KIT (INCLUDING HARDWARE)	1	1

* ITEM NOT SHOWN.

REPLACEMENT PARTS AND REPAIRS

In order to ensure your unit remains in good working condition, you must use Broan-NuTone Canada ULC genuine replacement parts only. Broan-NuTone Canada ULC genuine replacement parts are specially designed for each unit and are manufactured to comply with all the applicable certification standards and maintain a high standard of safety. Any third party replacement part used may cause serious damage and drastically reduce the performance level of your unit, which will result in premature failing. Broan-NuTone Canada ULC recommends to contact a certified service depot for all replacement parts and repairs.

BPDP1 AND NPDP1 SERIES



KEY NO.	PART NO.	DESCRIPTION	QUANTITY			
			30"	36"	42"	48"
1	S97020031	RECIRCULATION COVER PLATE, STAINLESS STEEL (INCLUDING SCREWS)	1	1	1	1
2	SR680508	7" ROUND DUCT PLATE (INCLUDING SCREWS)	1	1	1	1
3	S97020534	3¼" x 10" DAMPER ASSEMBLY (INCLUDING SCREWS)	1	1	1	1
4	S97020412	CAPACITOR (INCLUDING TIE WRAP)	2	2	2	2
5	S97020842	BLOWER ASS'Y CW (INCLUDING ITEMS 4 AND 6 AND HARDWARE)	1	1	1	1
6	SR99420635	CLIP FOR FANPELLER	2	2	2	2
7	S97020204-001	GREASE FILTER - HYBRID -TYPE B5 (SET OF 2)	1			
	S97020204-002	GREASE FILTER - HYBRID -TYPE C5 (SET OF 2)		1		
	S97020204-003	GREASE FILTER - HYBRID -TYPE D5 (SET OF 2)			1	
	S97020204-004	GREASE FILTER - HYBRID -TYPE E5 (SET OF 2)				1
8	S97020843	BLOWER ASS'Y CCW (INCLUDING ITEMS 4 AND 6 AND HARDWARE)	1	1	1	1
9	S97020797	AUTOTRANSFORMER (WITH SCREWS)	1	1	1	1
10	S97020444	LED MODULES (PAIR)	1	1	1	1
11	S97020425	ELONGATED ROCKER SWITCH (GREY)	1	1	1	1
12	S97020447	LED DRIVER	1	1	1	1
*	S97020772	WIRE HARNESS WITH AUTOTRANSFORMER AND FUSE	1	1	1	1
*	S97020360	PARTS BAG INCLUDING: 4 METAL SCREWS NO. 8-18 x 1/2", 6 ROUND HEAD NO. 8 x 5/8" WOOD SCREWS, 6 NO. 8 x 1/2" COUNTERSUNK WOOD SCREWS	1	1	1	1
*	S97020465	NON-DUCTED FILTER - TYPE Xb (SET OF 2) (NON-DUCTED INSTALLATION ONLY)	1			
	S97020466	NON-DUCTED FILTER - TYPE Xc (SET OF 2) (NON-DUCTED INSTALLATION ONLY)		1		
	S97020467	NON-DUCTED FILTER - TYPE Xd (SET OF 2) (NON-DUCTED INSTALLATION ONLY)			1	
	S97020468	NON-DUCTED FILTER - TYPE Xe (SET OF 2) (NON-DUCTED INSTALLATION ONLY)				1
*	S99527587	NON-DUCTED FILTER CLIP KIT (INCLUDES 4 CLIPS)	1	1	1	1
*	S97020470	EASY INSTALL KIT (INCLUDING HARDWARE)	1	1	1	1

* ITEM NOT SHOWN.

REPLACEMENT PARTS AND REPAIRS

In order to ensure your unit remains in good working condition, you must use Broan-NuTone LLC or Broan-NuTone Canada ULC genuine replacement parts only. Broan-NuTone LLC or Broan-NuTone Canada ULC genuine replacement parts are specially designed for each unit and are manufactured to comply with all the applicable certification standards and maintain a high standard of safety. Any third party replacement part used may cause serious damage and drastically reduce the performance level of your unit, which will result in premature failing. Broan-NuTone LLC and Broan-NuTone Canada ULC recommend to contact a certified service depot for all replacement parts and repairs.

Limited Warranty

Warranty Period and Exclusions: Broan-NuTone LLC and Broan-NuTone Canada ULC (either being the “Company”) warrant to the original consumer purchaser of its product (“you”) that the product (the “Product”) will be free from material defects in the Product or its workmanship for a period of one (1) year from the date of original purchase (or such longer period as may be required by applicable law). For Range Hood Product that includes built-in LED modules, the Company warrants the LED modules and driver to be free from material defects for a period of three (3) years from the date of purchase. The limited warranty period for any replacement parts provided by the Company and for any Products repaired or replaced under this limited warranty shall be the remainder of the original warranty period (or such longer period as may be required by applicable law).

This warranty does not cover fluorescent lamp starters, tubes, halogen and incandescent bulbs, fuses, filters, ducts, roof caps, wall caps and other accessories for ducting that may be purchased separately and installed with the Product. This warranty also does not cover (a) normal maintenance and service, (b) normal wear and tear, (c) any Products or parts which have been subject to misuse, abuse, abnormal usage, negligence, accident, improper or insufficient maintenance, storage or repair (other than repair by the Company), (d) damage caused by faulty installation, or installation or use contrary to recommendations or instructions, (e) any Product that has been moved from its original point of installation, (f) damage caused by environmental or natural elements, (g) damage in transit, (h) natural wear of finish, (i) Products in commercial or nonresidential use, or (j) damage caused by fire, flood or other act of God or (k) Products with altered, defaced or removed serial numbers. This warranty covers only Products sold to original consumers in the United States and Canada by the Company or its U.S. and Canadian distributors authorized by the Company.

This warranty supersedes all prior warranties and, subject to applicable law, is not transferable from the original consumer purchaser.

No Other Warranties: This Limited Warranty contains the Company’s sole obligation and your sole remedy for defective products. The foregoing warranties are exclusive and in lieu of any other warranties and conditions, express or implied. **THE COMPANY DISCLAIMS AND EXCLUDES ALL OTHER EXPRESS WARRANTIES AND CONDITIONS, AND DISCLAIMS AND EXCLUDES ALL WARRANTIES AND CONDITIONS IMPLIED BY LAW, INCLUDING WITHOUT LIMITATION THOSE OF MERCHANTABILITY AND FITNESS FOR A PARTICULAR PURPOSE.** To the extent that applicable law prohibits the exclusion of implied warranties or conditions, the duration of any applicable implied warranty or condition is limited to the period specified for the express warranty above. Some jurisdictions do not allow limitations on how long an implied warranty lasts, so the above limitation may not apply to you. Any oral or written description of the Product is for the sole purpose of identifying it and shall not be construed as an express warranty.

Whenever possible, each provision of this Limited Warranty shall be interpreted in such manner as to be effective and valid under applicable law, but if any provision is held to be prohibited or invalid, such provision shall be ineffective only to the extent of such prohibition or invalidity, without invalidating the remainder of such provision or the other remaining provisions of the Limited Warranty.

Remedy: During the applicable limited warranty period, the Company will, at its option, provide replacement parts for, or repair or replace, without charge, any Product or part thereof, to the extent the Company finds it to be covered by and in breach of this limited warranty under normal use and service. The Company will ship the repaired or replaced Product or replacement parts to you at no charge. You are responsible for all costs for removal, reinstallation and shipping, insurance or other freight charges incurred in the shipment of the Product or part to the Company. If you must send the Product or part to the Company, as instructed by the Company, you must properly pack the Product or part—the Company is not responsible for damage in transit. The Company reserves the right to utilize reconditioned, refurbished, repaired or remanufactured Products or parts in the warranty repair or replacement process. Such Products and parts will be comparable in function and performance to an original Product or part and warranted for the remainder of the original warranty period (or such longer period as may be required by applicable law).

Company reserves the right, in its sole discretion, to refund the money actually paid by you for the Product in lieu of repair or replacement. If the Product or component is no longer available, replacement may be made with a similar product of equal or greater value, at Company’s sole discretion. This is your sole and exclusive remedy for breach of this limited warranty.

Exclusion of Damages: **THE COMPANY’S OBLIGATION TO PROVIDE REPLACEMENT PARTS, OR REPAIR, REPLACE OR REFUND, AT THE COMPANY’S OPTION, SHALL BE YOUR SOLE AND EXCLUSIVE REMEDY UNDER THIS LIMITED WARRANTY AND THE COMPANY’S SOLE AND EXCLUSIVE OBLIGATION. THE COMPANY SHALL NOT BE LIABLE FOR INCIDENTAL, INDIRECT, CONSEQUENTIAL OR SPECIAL DAMAGES ARISING OUT OF OR IN CONNECTION WITH THE PRODUCT, ITS USE OR PERFORMANCE.** Incidental damages include but are not limited to such damages as loss of time and loss of use. Consequential damages include but are not limited to the cost of repairing or replacing other property which was damaged if the Product does not work properly.

THE COMPANY SHALL NOT BE LIABLE TO YOU, OR TO ANYONE CLAIMING UNDER YOU, FOR ANY OTHER OBLIGATIONS OR LIABILITIES, INCLUDING, BUT NOT LIMITED TO, OBLIGATIONS OR LIABILITIES ARISING OUT OF BREACH OF CONTRACT OR WARRANTY, NEGLIGENCE OR OTHER TORT OR ANY THEORY OF STRICT LIABILITY, WITH RESPECT TO THE PRODUCT OR THE COMPANY’S ACTS OR OMISSIONS OR OTHERWISE.

Some jurisdictions do not allow the exclusion or limitation of incidental or consequential damages, so the above limitation or exclusion may not apply to you. This warranty gives you specific legal rights, and you may also have other rights, which vary from jurisdiction to jurisdiction. The disclaimers, exclusions, and limitations of liability under this warranty will not apply to the extent prohibited by applicable law.

This warranty covers only replacement or repair of defective Products or parts thereof at the Company’s main facility and does not include the cost of field service travel and living expenses.

Any assistance the Company provides to or procures for you outside the terms, limitations or exclusions of this limited warranty will not constitute a waiver of such terms, limitations or exclusions, nor will such assistance extend or revive the warranty. The Company will not reimburse you for any expenses incurred by you in repairing or replacing any defective Product, except for those incurred with the Company’s prior written permission.

How to Obtain Warranty Service: To qualify for warranty service, you must (a) notify the Company at the address or telephone number stated below within seven (7) days of discovering the covered defect, (b) give the model number and part identification and (c) describe the nature of any defect in the Product or part. At the time of requesting warranty service, you must present evidence of the original purchase date. If you cannot provide a copy of the original written limited warranty, then the terms of the Company’s most current written limited warranty for your particular product will control. The most current limited written warranties for the Company’s products can be found at www.broan.com and www.broan.ca.

Broan-NuTone LLC, 926 West State Street, Hartford, WI 53027 www.broan.com 800-558-1711 nutone.com 800-637-1453
 Broan-NuTone Canada ULC, 1140 Tristar Drive, Mississauga, Ontario, Canada L5T 1H9 www.broan.ca 1-877-896-1119