

OWNER'S MANUAL

IMPORTANT INFORMATION FOR THE INSTALLER
AND THE OWNER

INCLUDED: THERMOMASSEUR® INSTALLATION
USING THE MIA® SERIES CONTROLS



Register your warranty online www.bainultra.com/warranty

 **BainUltra®**
The quest for your wellness®

IMPORTANT: TO BE KEPT FOR THE OWNER

TABLE OF CONTENTS

SAFETY INSTRUCTIONS	4
THERMOMASSEUR®	
PARTS AND TOOLS	5
SITE PREPARATION	6
THERMOMASSEUR® INSTALLATION	7 - 9
PLUMBING INSTALLATION	10 - 12
BALNEO®, AMMA® AND ORIGAMI FREESTANDING	
PARTS AND TOOLS	13
SITE PREPARATION	14 - 15
INSTALLATION	16 - 19
TURBINE	
TECHNICAL SPECIFICATIONS	20
ELECTRICAL INSTALLATION	21 - 23
REMOTE MOUNTING	24 - 25
SKIRTS	
GENERAL INSTRUCTIONS	26
PARTS AND TOOLS	27
INSTALLATION	28 - 40
THE MIA® SERIES CONTROLS	
INSTALLATION	41
USER GUIDE	42 - 52
MAINTENANCE	53 - 54
TROUBLESHOOTING	55 - 56
WARRANTY	57
DRILLING TEMPLATES	59 - 61

956, chemin Olivier
Lévis (Québec)
G7A 2N1

T 418.831.7701

1.800.463.2187

F 418.831.6623

1.800.382.8587

info@bainultra.com

IMPORTANT SAFETY INSTRUCTIONS PERTAINING TO RISKS OF FIRE, ELECTROCUTION OR PERSONAL INJURY

READ AND FOLLOW ALL INSTRUCTIONS ▪ SAVE THESE INSTRUCTIONS


WARNINGS

- Risk of hyperthermia; people using medication and/or having an adverse medical history should consult a physician before using a Hydro-thermo massage® bathtub equipped with a heater.
- Risk of hyperthermia and possible drowning: do not use a Hydro-thermo massage® bathtub equipped with heater immediately following strenuous exercise.
- Risk of fetal injury; pregnant or possibly pregnant women should consult a physician before using a Hydro-thermo massage® bathtub equipped with a heater.
- Risk of accidental injury or drowning; do not use drugs or alcohol before or during the use of a Hydro-thermo massage® bathtub equipped with a heater.
- Use this unit only for its intended purposes or as described in this manual. Use only accessories or devices recommended by the manufacturer.
- Risk of hyperthermia and possible drowning. Check and adjust water temperature before use. Water temperature exceeding 100°F (38°C) may be injurious to your health.
- To reduce the risk of injury, as with any other conventional bath, do not allow children or physically impaired people to use this unit unless they are closely supervised at all times.
- To avoid injury, exercise care when entering or exiting the Thermomasseur®.
- The Geysair should always be connected to the hot water intake. If it is not the case, then, the Geysair should be deactivated via the bath control.

RISK OF ELECTRICAL SHOCK

- Disconnect electric power before servicing.
- Do not permit electrical appliances (hair dryer, lamp, telephone, radio, television, etc.) within 5' (1,5 m) of the Thermomasseur®.
- Before using the Thermomasseur®, its exterior construction (podium or skirting) should be finished so that a bather cannot accidentally come in contact with electrical components (turbine and power module).
- For indoor use only.

ELECTRICAL CONNECTIONS:

- Never drop or insert objects into any openings.
- The Thermomasseur® must be connected only to a supply circuit that is protected by a 20 amp class A ground fault circuit interrupter (GFCI). Optional therapies such as Chromotherapy and/or 2nd heated backrest and/or WarmTouchShell® must be connected to a supply circuit that is protected by a 15 amp class A ground fault circuit interrupter (GFCI). This interrupter is supplied by a certified electrician and must be tested on a regular basis in accordance with manufacturer's instructions. The GFCI ground must be connected. If defective, do not use the Thermomasseur. Disconnect immediately and call a certified electrician.
- Use 12 AWG (or greater) copper conductors that resist temperatures of at least 194°F (90°C).
- Canada only: for permanently connected units. A green-colored terminal (or a wire connector marked g., gr., ground or grounding) is provided within the terminal compartment (not applicable if unit supplied with an electric plug). To reduce the risk of electrocution, connect this terminal or connector to the grounding terminal of your electric service or supply panel with conductor equivalent in size to the circuit conductors supplying the equipment and be 12 AWG or more.
- All electrical connections must be carried out by a certified electrician and must respect federal, provincial/state, and local building codes and regulations.
- Install in accordance with manufacturer's installation instructions.
- For ThermoMasseur baths using remote turbine installation (not mounted on the bath), grounding continuity must be tested between the bath grounding terminal  and the bath power supply. Failure to perform the grounding continuity test could result in serious personal injury.

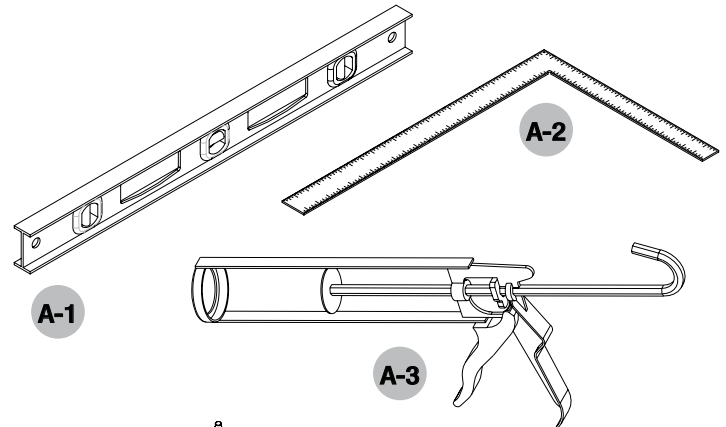
WATER LEAK TEST

- Once plumbing is fully installed and before beginning any other work, fill the ThermoMasseur® with water to overflow level and wait 30 minutes. Check all plumbing hook-ups and bath for leaks. BainUltra® is not responsible for any water damage caused by improper installation (see Warranty section).

THERMOMASSEUR®
PARTS AND TOOL

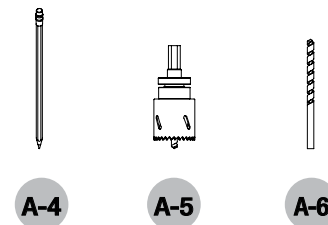
A. PARTS AND TOOLS

A-1	24" Level
A-2	24" Square
A-3	Caulking gun
A-4	Pencil
A-5	Hole saw
A-6	1/16" drill bit



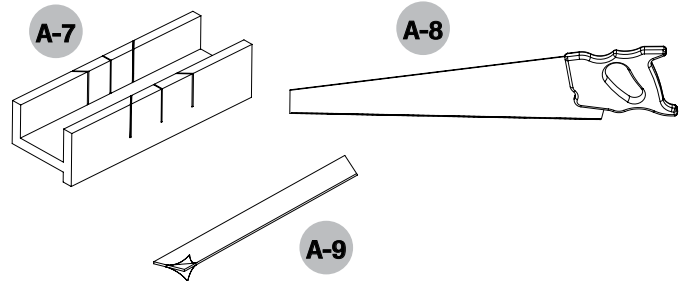
TILE FLANGE INSTALLATION

A-7	Miter box (angle cutter)
A-8	Fine tooth saw
A-9	Double-face tape



MOLDED TILE FLANGE INSTALLATION

A-10	Drill
A-11	1 1/64" drill bit
A-12	82° routing bit
A-13	Screws
A-14	Appropriate screwdriver

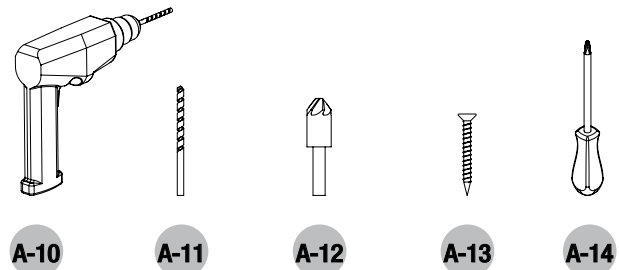


SKIRT INSTALLATION

See skirt section.

OTHER NECESSARY ITEMS

- Wood shims
- Silicone



IMPORTANT

- Before starting installation, ensure that parts received match your order. For all questions, call BainUltra® at 1 800 463-2187.

THERMOMASSEUR®

SITE PREPARATION

FAUCET INSTALLATION

- See faucet manufacturer's technical specifications for zoning and plan water supply accordingly.
- Position drain according to manufacturer's specifications.

BEDDING

Before installing, ensure that the floor underneath the bath can support **1,500 lbs (680 kg)**. The bath may sit directly on the floor. However, the bath may also be installed on a bed of concrete. For this type of installation, it is recommended that you insulate the concrete between two sheets of plastic, one on floor and the other underneath bath.

SERVICE ACCESS AND VENTILATION

- A service access is necessary. Minimum dimensions are: 22" x 18" (55 cm x 46 cm) to properly reach all electrical components of the system.
- An air vent is also necessary. Minimum dimensions are: 2" x 4" (5 cm x 10 cm) to ensure proper functioning of the turbine. The service access panel is often the best place to install the air vent.

REMOTE MOUNTING

All ThermoMasseur® components are factory-installed. If for practical or accessibility reasons, the turbine and the InMix (Chromatherapy) module must be moved, follow recommendations outlined in **TURBINE - REMOTE MOUNTING** section of this manual.

There is a technical specification sheet for each BainUltra® ThermoMasseur® which includes information such as necessary dimensions of site before installation. If you do not already have the technical specifications, download from the BainUltra® site at: www.bainultra.com or call us at: 1 800 463-2187.

WARNING

- The space surrounding the turbine air intake must be large enough and free of debris for proper airflow and be at a temperature between **72°F (20°C)** and **86°F (30°C)** for optimal performance.

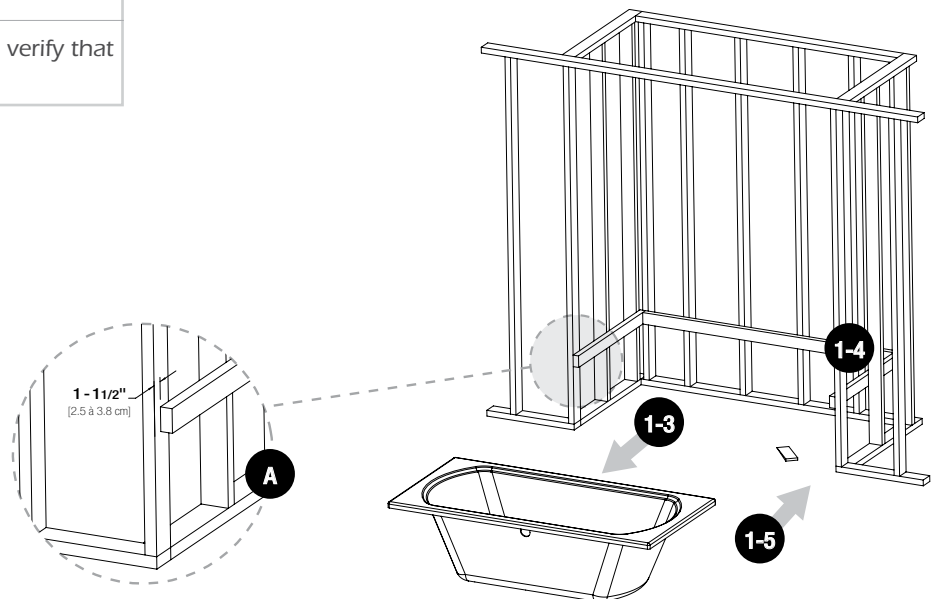
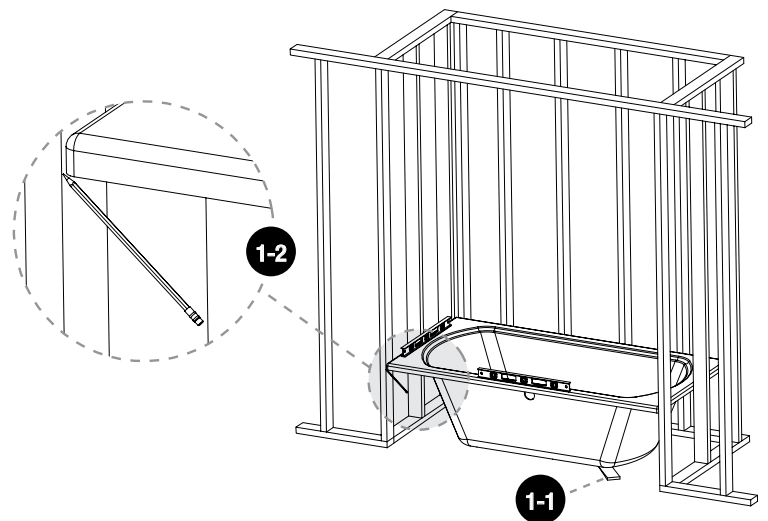
THERMOMASSEUR®
INSTALLATION

Install to permit access for servicing.
The following instructions apply to both rectangular and corner baths.

The BainUltra® ThermoMasseur® is almost as easy to install as a conventional bath. The following instructions outline steps to follow for the main types of installation.

1. ALCOVE INSTALLATION (BETWEEN 2 OR 3 WALLS)

1-1	Place level lengthwise on decking of the ThermoMasseur® and adjust by placing shims under ThermoMasseur® where necessary. Repeat exercise width wise on the bath. Glue shims in place with a drop of silicone.
1-2	Mark position of wooden supports to be attached to the wall by tracing a line underneath the deck of the ThermoMasseur®.
1-3	Pull the ThermoMasseur® out.
1-4	Align the wooden supports [at least 1 1/2" (3.8 cm) thick] with markings and nail into place on the wall studs. Plan for notch on wooden supports for installation of a skirt if necessary
1-5	Reposition ThermoMasseur® and verify that it is level.



IMPORTANT

- The ThermoMasseur® must sit entirely on its base with the lip supported by a wooden structure.
- The ThermoMasseur® must be level.
- The ThermoMasseur® is molded with an integrated slope towards the drain. If decking around the ThermoMasseur® is level, the bath will drain accordingly.

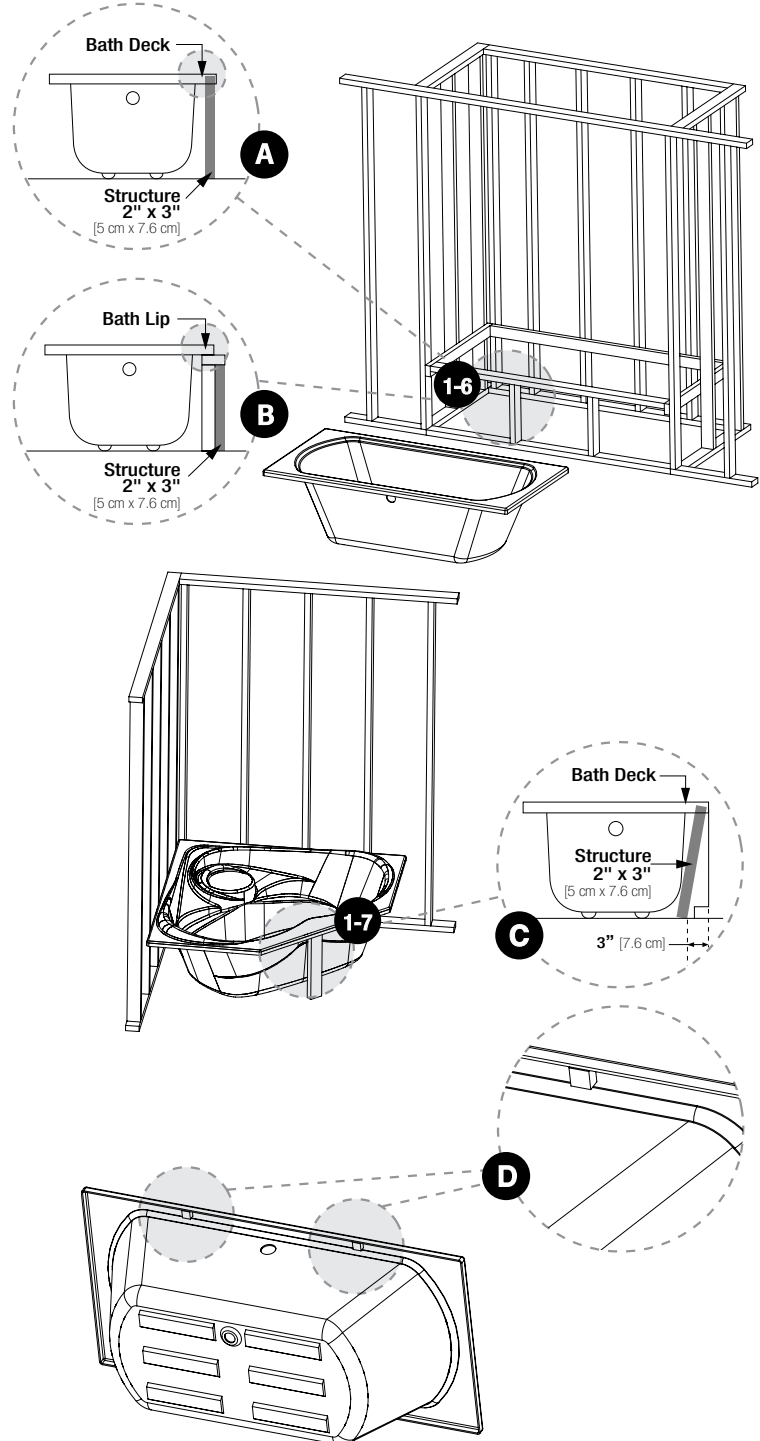
THERMOMASSEUR®

SITE PREPARATION

1. ALCOVE INSTALLATION (BETWEEN 2 OR 3 WALLS)(NEXT)

- | | |
|-----|---|
| 1-6 | To finish the front of the bath (with ceramic tile or other materials), a 2" x 3" (5 cm x 7.6 cm) structure is necessary to support the ThermoMasseur®. Place underneath the deck (A) or the edge of the bath (B) depending on the desired finish. |
| 1-7 | BainUltra® skirt installation requires a single 2" x 3" (5 cm x 7.6 cm) support in the front of the ThermoMasseur®. Tilt the base of the support 3" (7.6 cm) inwards and upwards. Place the top of the support behind the two retainer blocks (D) of the skirt placed underneath the lip of the ThermoMasseur® (C). |

Instructions for installing skirts and retainer blocks not factory-installed may be found in this manual in the **SKIRT** section.



IMPORTANT

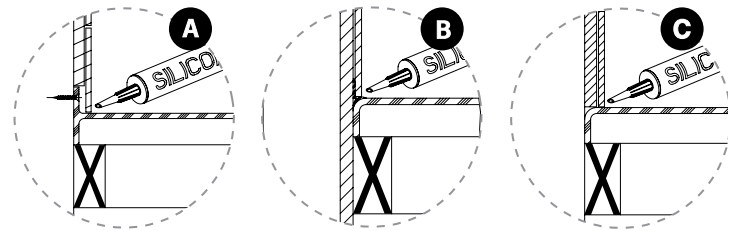
- If the ThermoMasseur® and the skirt were not ordered together, the retainer blocks will not be on the bath. As such, leave a 1/4" (0.6 cm) between the 2" x 3" (5 cm x 7.6 cm) support structure and the lip of the bath so that the top of the skirt may be inserted under the deck.

THERMOMASSEUR®
INSTALLATION

TILE FLANGE

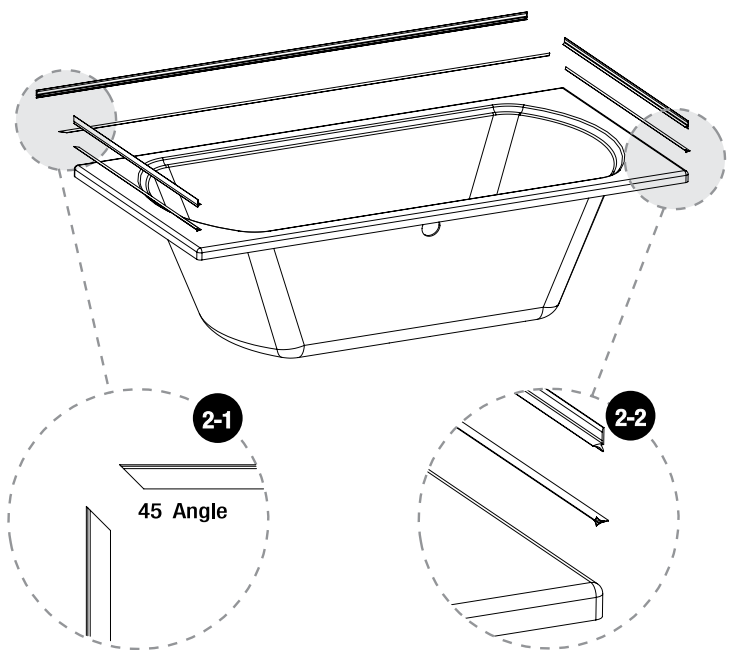
A tile flange is recommended for alcove installations (between 2 or 3 walls). Some bath models may include a molded tile flange. Tile flanges for other models are not installed or may be factory-installed.

- A** Molded tile flange (secure the flange to the wall while supporting from beneath).
- B** Factory or customer-installed tile flange.
- C** No tile flange.



2. TILE FLANGE INSTALLATION

2-1	Using a miter box (angle cutter) and a fine-tooth saw, cut 3 pieces of tile flange to desired lengths. Cut 45° angles where necessary.
2-2	Apply double-sided tape along the entire length of the flange. Stick the tile flange to the deck.
2-3	Apply silicone.



IMPORTANT

- A factory-installed tile flange does not replace a silicone joint between tiling and the Thermomasseur®.
- The surfaces that come into contact with double-sided tape must be clean.

THERMOMASSEUR®
PLUMBING INSTALLATION

DRILLING ACRYLIC FOR FAUCETS

The drain and overflow openings are factory-drilled. However, drilling may be necessary to install faucets. This drilling of acrylic is a very delicate operation.

All plumbing installations must be carried out by a certified plumber. Installation of a ThermoMasseur® is the same as for regular acrylic baths. Pay close attention to the following when installing the ThermoMasseur®:

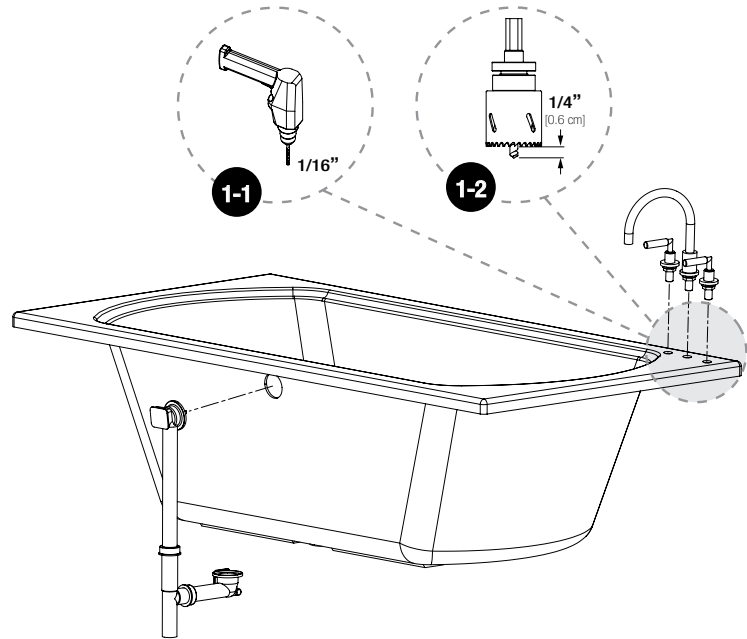
LEAK TEST

Once the plumbing installation is complete and before tile or any other related work begins, fill the bath to the overflow and wait thirty minutes. Check all plumbing hook-ups and bath for leaks.

BainUltra® is not responsible for any water damage caused by leaks due to improper installation (see WARRANTY section).

1. DRILLING

1-1	Drill a 1/16" guide hole before using the hole saw.
1-2	Use a hole saw in good condition to avoid accidental scratches. The center guide bit should extend 1/4" (0.6 cm) for correct drill positioning.



IMPORTANT

- Do not remove the protective plastic film (peel coat) on the bath and place a drop-cloth in the ThermoMasseur® during installation to protect acrylic.
- To avoid drilling in an air intake zone or, an electric component, always check under deck before drilling.
- Drill openings slightly larger than actual faucet size. This is to avoid any possible cracking or other damage to the acrylic.
- When installing faucets, do not over-tighten fittings, as this may damage the acrylic.
- This type of damage is not covered by the warranty.
- Drill at medium speed and do not apply pressure to drill; let the drill do the work.
- The temperature of the water heater should not exceed preset and/or recommended levels by the manufacturer. This may cause a thermal shock to the acrylic and will not be covered by the warranty.

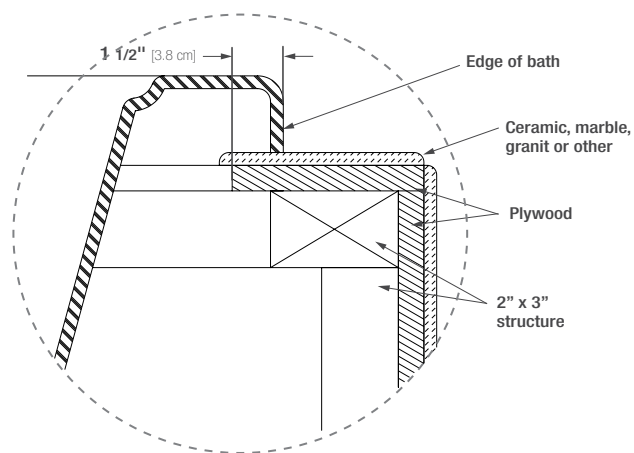
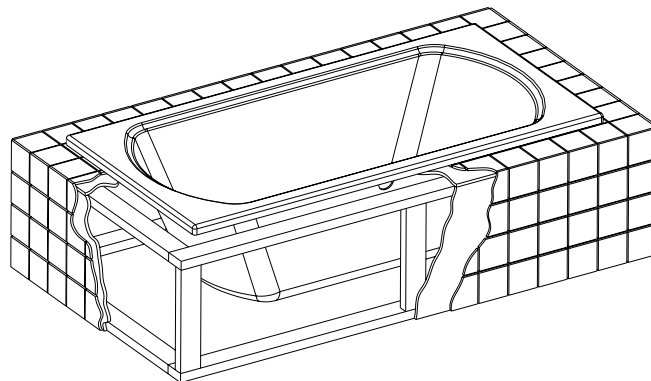
THERMOMASSEUR®

BATH ON DECK

PLUMBING INSTALLATION

1. INSTALLATION

1-1	Prepare the site to connect the plumbing and turbine.
1-2	Build the (2" x 3") wooden structure taking into account the thickness of the ceramic tiles and the plywood as well as the height of the bath. NOTE: Plan air intake for turbine.
1-3	Secure plywood into place with screws around and above structure.
1-4	Cut inside 1 1/2" of the outside dimensions of the tub.
1-5	Ensure bath is levelled and that it fits properly in cutout. NOTE: Protect turbine as you insert bath.
1-6	Install desired finishing materials (ceramic tiles, granit, marble or other) and top surface and siding of the deck.
1-7	Set bath back into place and conduct plumbing and turbine connection.



* See specification sheet of bath for exceptions.

IMPORTANT

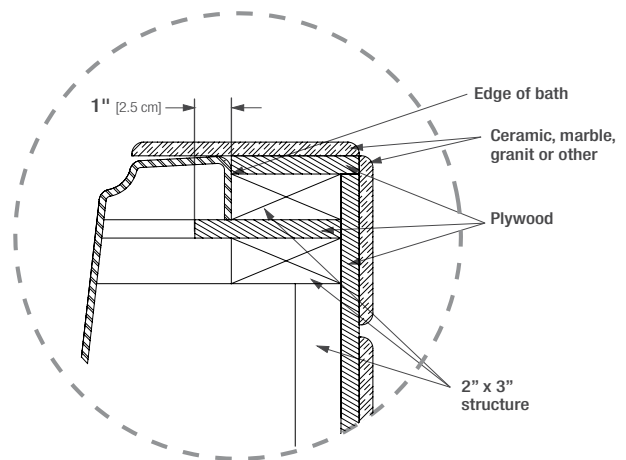
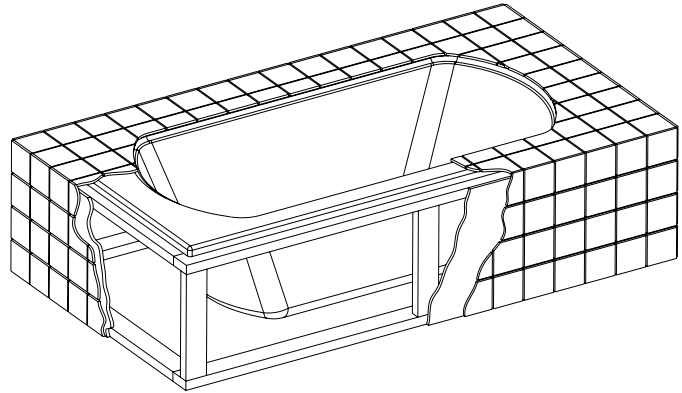
- Bath must be completely supported by the floor making sure the edge rests entirely on the structure.
- Bath must be levelled.
- Bath is molded with a slope toward drain. If bath is levelled in respect to the deck, the water will drain completely.

UNDERMOUNTED BATH

PLUMBING INSTALLATION

1. INSTALLATION

1-1	Prepare the site to connect the plumbing and turbine.
1-2	Build the (2" x 3") levelled wooden structure with plywood as in Detail A, taking into account the thickness of the ceramic tiles and the plywood as well as the height of the bath. NOTE: Plan air intake for turbine.
1-3	Ensure bath is levelled. NOTE: Protect turbine as you insert bath.
1-4	Conduct plumbing and turbine connection.
1-5	Enclose contour of podium using plywood. NOTE: Plan air intake for turbine.
1-6	Install desired finishing materials (ceramic tiles, granit, marble or other) and top surface and siding of podium.
1-7	Apply seal to junction of ceramic tiles with ceramic grout and/or silicone.



Detail A

IMPORTANT

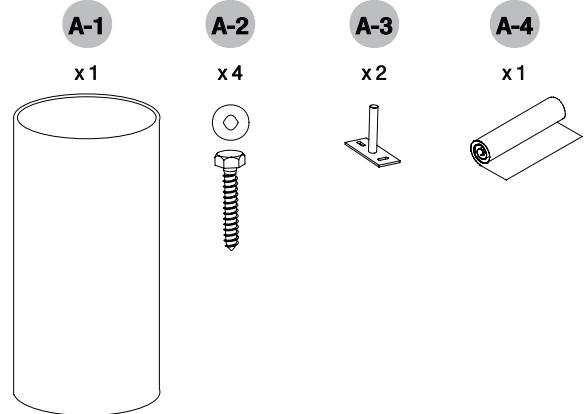
- Bath must be completely supported by podium making sure the edge rests entirely on the structure.
- Bath must be levelled.
- Bath is molded with a slope toward drain. If bath is levelled in respect to the deck, the water will drain completely.

BALNEO®, AMMA® & ORIGAMI FREESTANDING

PARTS AND TOOLS

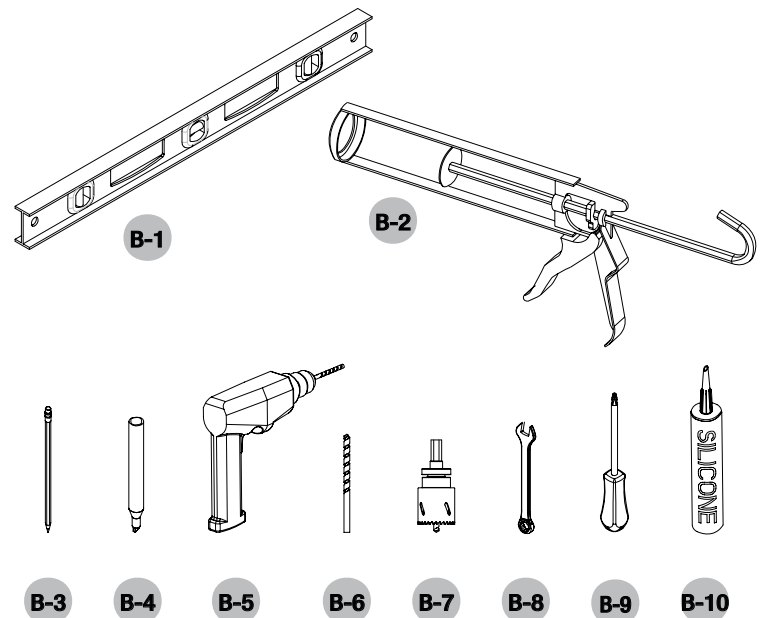
A. PARTS INCLUDED

A-1	Pipe concealer (Cella model)
A-2	Screws and washers (Cella and Amma® models)
A-3	Floor anchoring (Naos and Sanos)
A-4	Template (Amma® models)



B. TOOLS REQUIRED

B-1	24" level
B-2	Caulking gun
B-3	Pencil
B-4	Erasable marker
B-5	Drill
B-6	3/16" drill bit
B-7	2" hole saw
B-8	7/16" wrench (Cella and Amma® models)
B-9	Phillips #2 screwdriver
B-10	Silicone



IMPORTANT

- Before starting installation, ensure that parts received match your order. For all questions, call BainUltra® at **1 800 463-2187**.
- Instructions in this section apply Amma® freestanding models. Refer to Thermomasseur® instructions for the installation of Amma® drop-in models.

BALNEO®, AMMA® & ORIGAMI FREESTANDING

SITE PREPARATION

BEDDING

- Before finishing your bathroom floor (ceramic, wood or other) ensure that the floor is level. No subsequent adjustments may be made to these baths except for the Amma® model, where shims may be installed under the bath.
- Thermomasseurs® are molded with an integrated slope towards the drain. If floor is level, the bath will drain accordingly.
- The Amma® model requires a 12" x 9" (30.5 cm x 22.9 cm) recess for the drain. Refer to the bath template for the locations of water supply, electrical connection, and control cable and remote air supply, if applicable.

SERVICE ACCESS AND VENTILATION

For models in the Balneo® series, the turbine is not installed on the ThermoMasseur®. Determine a suitable place close to the bath (must be less than 15' [4.6 m] away), either under the floor, in a closet, or any other location that will conceal the power module and turbine. Chosen location must be easily accessible for servicing while allowing sufficient air circulation for the turbine (see **TURBINE - REMOTE MOUNTING** section).

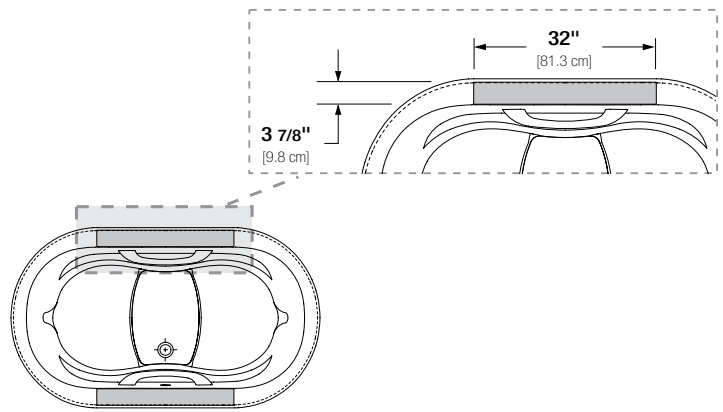
The turbine of the Amma® models is installed beneath the bath. To allow access to the turbine and other components, foresee an 11" (28 cm) space around the bath in order to be able to take out the removable base. Refer to the template. The turbine may also be installed remotely. If necessary, please contact BainUltra® at 1 800 463-2187 for additional information.

If you cannot install the turbine or provide an air passage under the floor for the Cella, Naos, or Sanos models, an optional surface installation kit is available and must be ordered through your retailer.

PLUMBING

- Use flexible pipes for Amma® water connections.
- On the Amma® model, the faucet may be installed on the bath ledge. In both cases, follow faucet location recommendations in drawings.

NOTE: Before drilling the wood or acrylic, read the instructions in the **THERMOMASSEUR® - PLUMBING INSTALLATION** section.



Faucet area Amma®

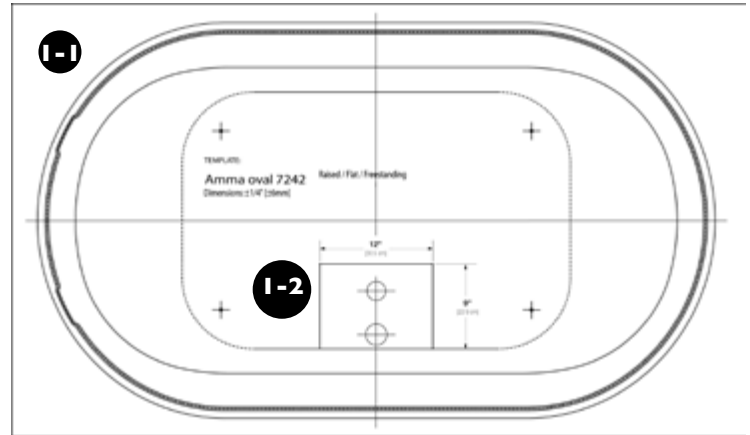
! WARNING

- Balneo® series baths cannot be drilled for faucet installation. Faucets must be freestanding or wall-mounted models.

AMMA® FREESTANDING INSTALLATION

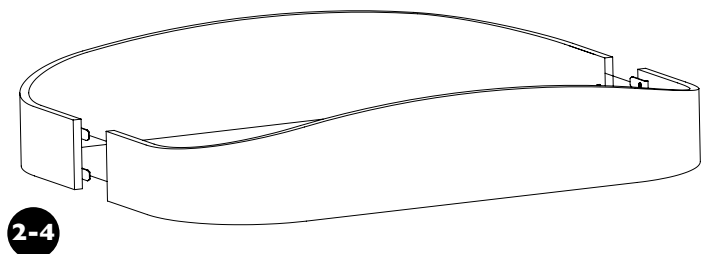
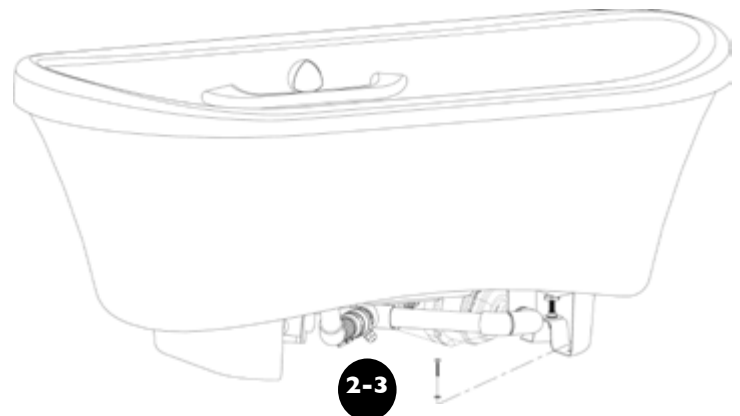
1. BATH SITE

1-1	Once floor is prepared and level and recess is cleared around the drain, place installation template on floor in the chosen location.
1-2	Align the template overflow with the floor drain and ensure that the recess around the drain is properly measured.
1-3	Use a 3/16" bit to drill anchor screw entry points.



2. INSTALLATION

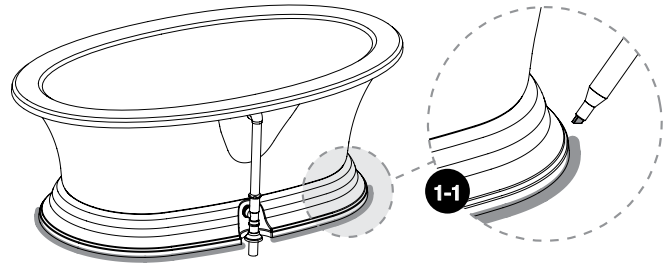
2-1	Mount drain on bath. Ensure watertightness.
2-2	Position the bath, aligning anchor holes with anchor screw entry points.
2-3	Connect bath drain and water supply, and complete electrical wiring.
2-4	Once the bath is in place and all connections completed, secure bath in place using washers and screws supplied.
2-5	Install base.



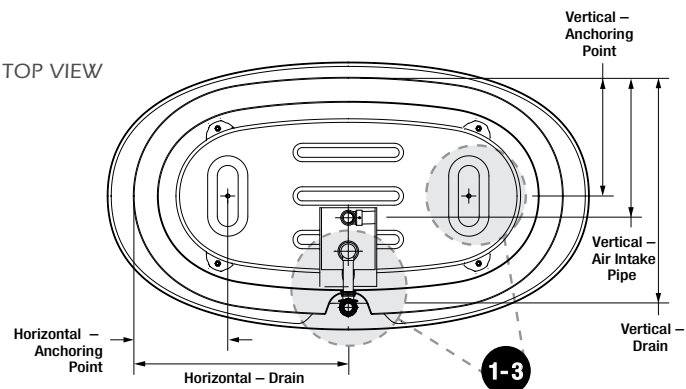
BALNEO® - NAOS & SANOS INSTALLATION

1. BATH SITE

- 1-1** Once the floor has been finished and is perfectly level, place ThermoMasseur® in the exact chosen location. Trace the outline of the bath with an erasable marker.
- 1-2** Remove the ThermoMasseur® and carefully place it upside down on a blanket or corrugated cardboard (ex. the box in which it was delivered).
- 1-3** On the floor, determine by referring to measurements taken underneath the bath, the exact location of the drain, the air pipe, and the two anchoring points at each end of the bath.

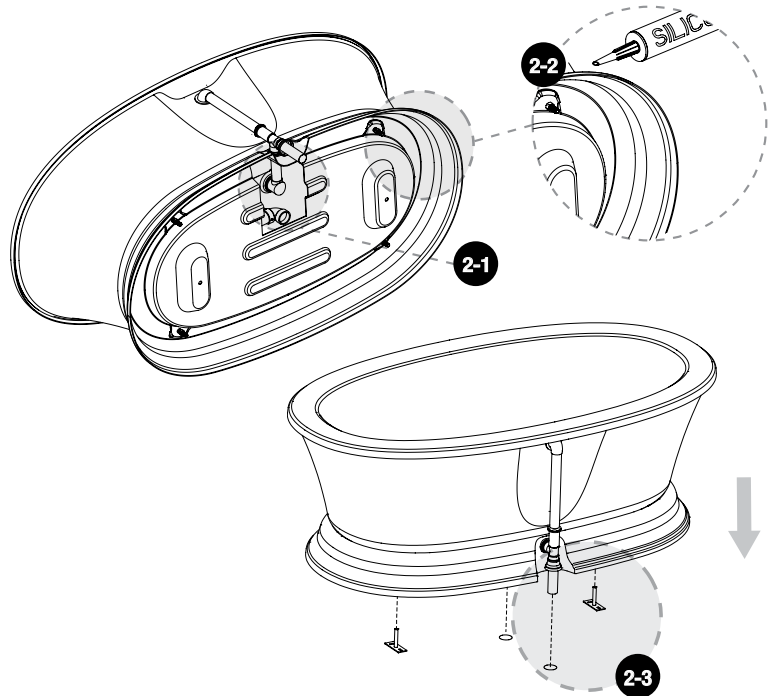


TOP VIEW



2. INSTALLATION

- 2-1** Install the drain and overflow set on the bath and the first section of the air intake pipe (1 1/2" ABS) under the floor.
- 2-2** Apply a silicone joint to the base rim.
- 2-3** Put the ThermoMasseur® in place and put pipes through the floor, ensuring bath is aligned with anchoring points.
- 2-4** Wipe off excess silicone immediately.



LEAK TEST

Once plumbing is fully installed and before beginning any other work, fill the ThermoMasseur® to overflow and wait 30 minutes. Check all plumbing hook-ups and bath for leaks. **BainUltra® is not responsible for any water damage caused by improper installation (see Warranty section).**

ELECTRICITY

Install turbine and InMix power module connections according to specifications outlined in the **MIAMULTI® ELECTRICAL INSTALLATION - TURBINE** section.

NOTES

- Since these models sit directly on the floor, the overflow drain pipe opening is factory-drilled.
- To installation of the Naos or Sanos on a concrete slab with no access below for air entry to the bath: a hole of 1 5/8 inch (4.1 cm) in diameter must be drilled into the bath skirt to allow air supply to the bath. Important: Do not drill above height of existing hole in the skirt intended to connect drain to overflow.

BALNEO® - CELLA
INSTALLATION

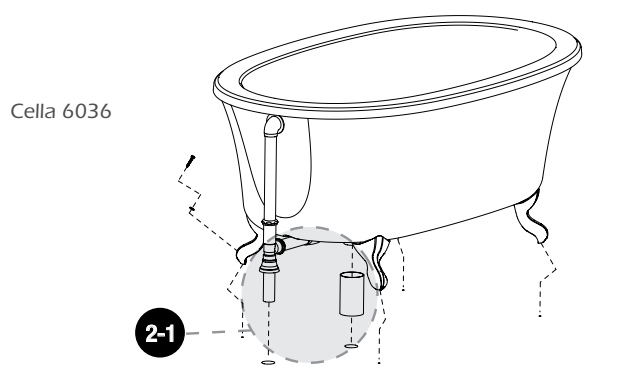
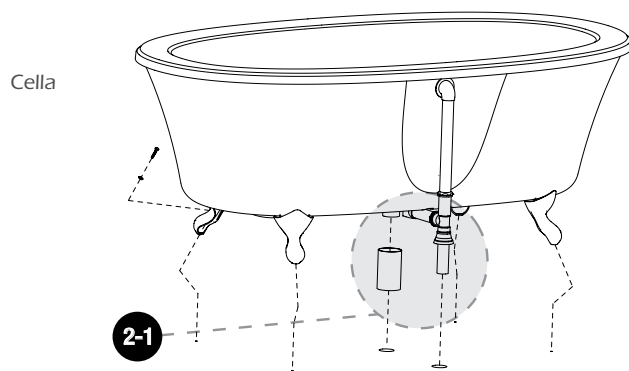
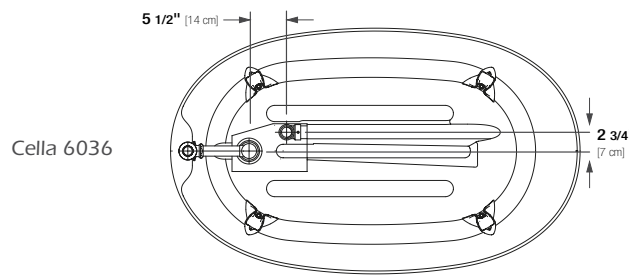
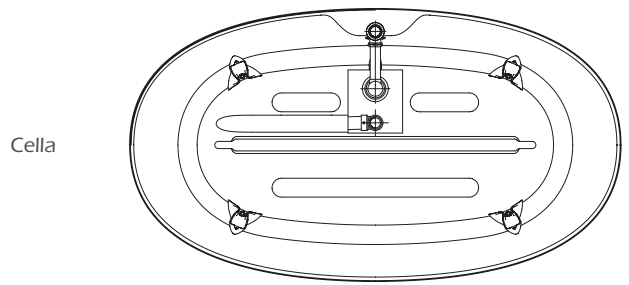
THERMOMASSEUR®

1. BATH SITE

1-1	Once the floor has been finished and is perfectly level, determine the exact location of the ThermoMasseur®. Mark the following on the floor: a) position of the four feet; b) holes to be drilled for the drain and air intake for the turbine.
1-2	Drill the four holes for the feet with a 3/16" drill bit and the drain and air intake openings with a 2" hole saw.

2. INSTALLATION

2-1	Install the drain and overflow set on the bath and the first section of the air intake pipe (1 1/2" ABS) under the floor. Cover the ABS pipe with pipe concealer (included).
2-2	Once the ThermoMasseur® is in place with piping installed in the floor, secure the four feet with screws and washers provided. (A-2)



IMPORTANT

WARNING

- Do not remove the protective plastic film from the bath and place a drop-cloth in the ThermoMasseur® during installation to protect the acrylic.
- The ThermoMasseur® must be secured to the floor.
- Balneo® series baths cannot be drilled for faucet installation. Faucets must be freestanding or wall-mounted models.

ORIGAMI FREESTANDING DESIGN SERIES

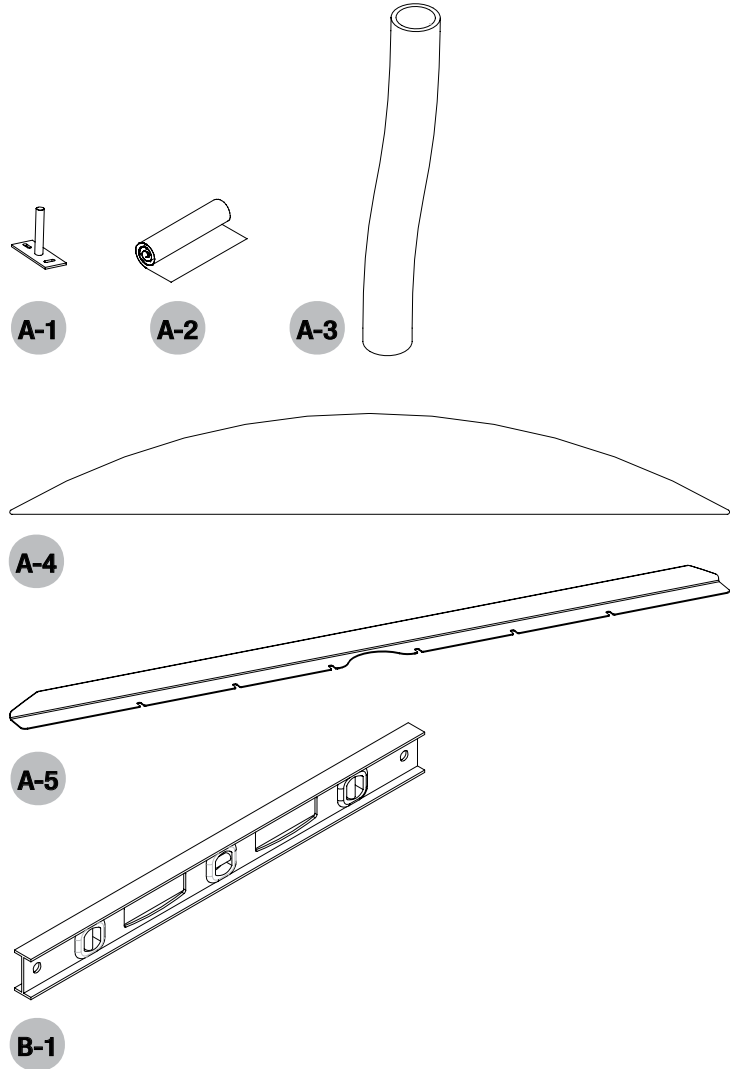
PARTS AND TOOLS

A. PARTS INCLUDED

A-1	Anchor points
A-2	Installation template
A-3	Flexible 1 1/2" pipe for overflow
A-4	Access panel
A-5	Access panel hinge

B. TOOLS REQUIRED

B-1	48-inch level
-----	---------------



ORIGAMI FREESTANDING DESIGN SERIES

SITE PREPARATION

The Origami Freestanding Design Series requires a 12" x 10" (30 cm X 25 cm) compartment for the drain, distance air inlet and, if applicable, space for control cables and options. Refer to the installation template.

ACCESS AND AIR INLET

For this model, the turbine is not installed on the bathtub. Determine a location near the bathtub at a maximum distance of 15 feet or (4.6 metres) under the floor, in a cabinet or any other location to conceal the turbine and optional accessory casings, if applicable. The location chosen must also be accessible and allow sufficient air intake for the turbine.
 (See **TURBINE – REMOTE MOUNTING INSTALLATION** section).

ORIGAMI FREESTANDING DESIGN SERIES

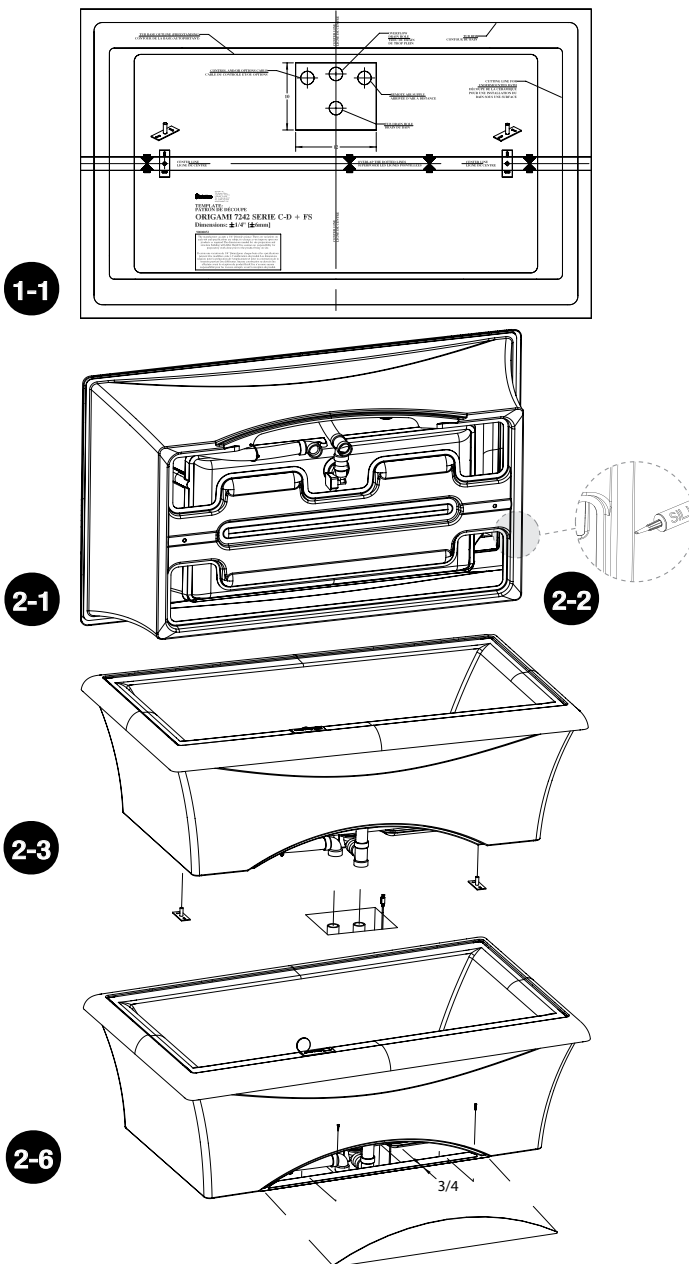
INSTALLATION

1. LOCATION

1-1	Once the compartment around the drain is completed in the floor, place the installation template on the ground at the chosen location.
1-2	Align the position of the overflow drain with the floor drain and ensure that the compartment size corresponds to requirements.
1-3	Mark the location of the anchor point screws.
1-4	Remove the installation template and screw in the anchor points in the marked locations.

2. INSTALLATION

2-1	Assemble the drain on the bathtub. Use the flexible 1 1/2" pipe provided for the junction between the overflow and the T-joint. Ensure watertightness. This operation is much easier to complete when the bathtub rests on its side. Place a cover or protective cardboard on the floor before positioning the bathtub on its side.
2-2	Apply a joint of silicone under the edge of the base of the bathtub.
2-3	Install the bathtub on the anchor points fastened to the floor and immediately wipe away any excess silicone. Connect the drain.
2-4	Install the turbine according to the instructions in the TURBINE – REMOTE MOUNTING INSTALLATION section of the manual. The air inlet is located to the left of the bathtub drain and, if applicable, control and option connection cables to the right. Connect control and option cables if applicable.
2-5	Use a level or ruler to draw a line on the floor between contact points between the access panel arch and the base of the bathtub.
2-6	Position the metal access panel hinge 3/4 of an inch behind the line drawn in Step 2-5.
2-7	Screw the hinge in place on the floor using the slots provided. Install panel.



NOTES

- To install the Origami Freestanding Design Series on a concrete slab with no place for the passage of the air inlet pipe to the bathtub: drill a hole 1 5/8 inches in diameter in the skirt. **IMPORTANT:** drill the hole 1 1/2 inches above floor level and protect the bathtub with a piece of wood placed behind the location to be drilled.
- If a control or options are installed on the bathtub, a second pipe may be required through which to feed the cables.

TURBINE

TECHNICAL SPECIFICATIONS

MOTOR

Weight
5,5 lbs

Motor power
Panasonic 0,8 HP
120 V
600 W
5 A

Air pressure
2,75 psi

Air flow
75 cfm at maximum speed

Motor rotation speed
27 000 rpm at maximum speed

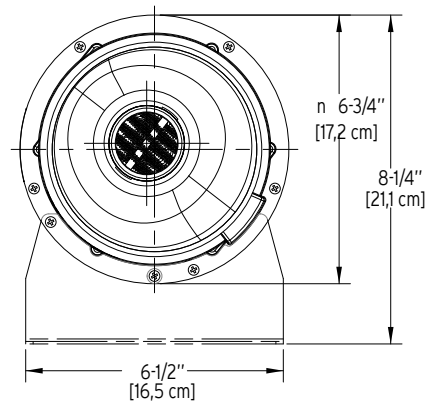
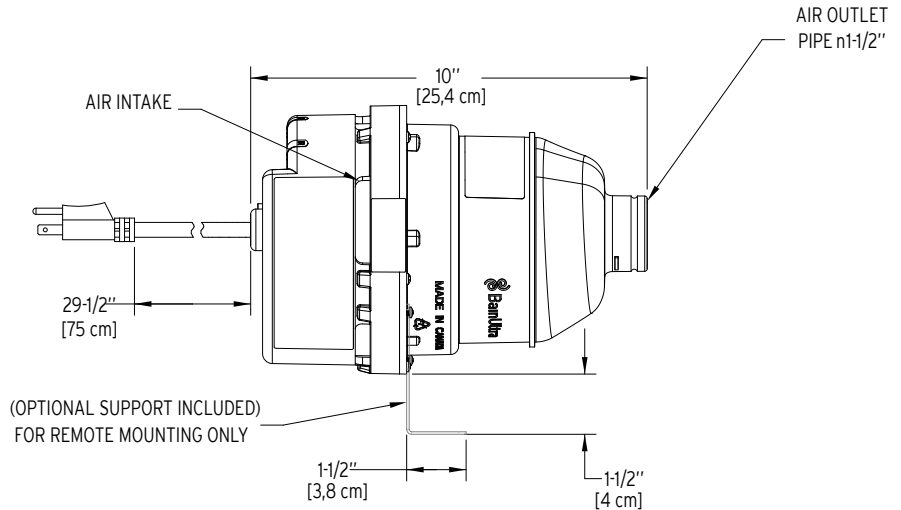
Noise level
56 to 60 db at maximum speed

Operating cost
\$0.027/HR for \$0.045/KWh

AIR HEATER

Power
700 W
5.8 A

Operating cost
\$0.027/HR for \$0.045/KWh



NOTES

- The specifications shown indicate the outer edge dimension.
- The manufacturer accepts a 1/4" [0.64 cm] variance. There are variations on each product and specifications are subject to change as we improve upon our product as required. The dimensions needed for site preparation and structure building will differ. BainUltra® assumes no responsibility for preparatory work done prior to the product being on site.

WARRANTY



Turbine* | *Some restrictions may apply. (www.bainultra.com/warranty)

TURBINE

TURBINE WITH GEYSAIR

ELECTRICAL INSTALLATION & PLUMBING

GROUNDING

The electrical system must be connected to an independent circuit protected by a **new 20 AMP Class A ground fault circuit interrupter (GFCI) and another one of 15 AMP for additional options.** This electrical circuit must **imperatively** be grounded. **CANADA ONLY:** for permanently connected units. A green-colored terminal (or a wire connector marked g, gr, ground or grounding) is provided within the terminal compartment (not applicable if unit supplied with an electric plug). To reduce the risk of electrocution, connect this terminal or connector to the grounding terminal of your electric service or supply panel with conductor equivalent in size to the circuit conductors supplying the equipment and be **12 AWG** or more. **INSTALL THIS UNIT IN ACCORDANCE WITH THE CANADIAN ELECTRICAL CODE, PART 1.**

ACCESS

A service access is necessary. Minimum dimensions are: 22" x 18" (55 cm x 46 cm) to properly reach all electrical components of the system.

PLUMBING

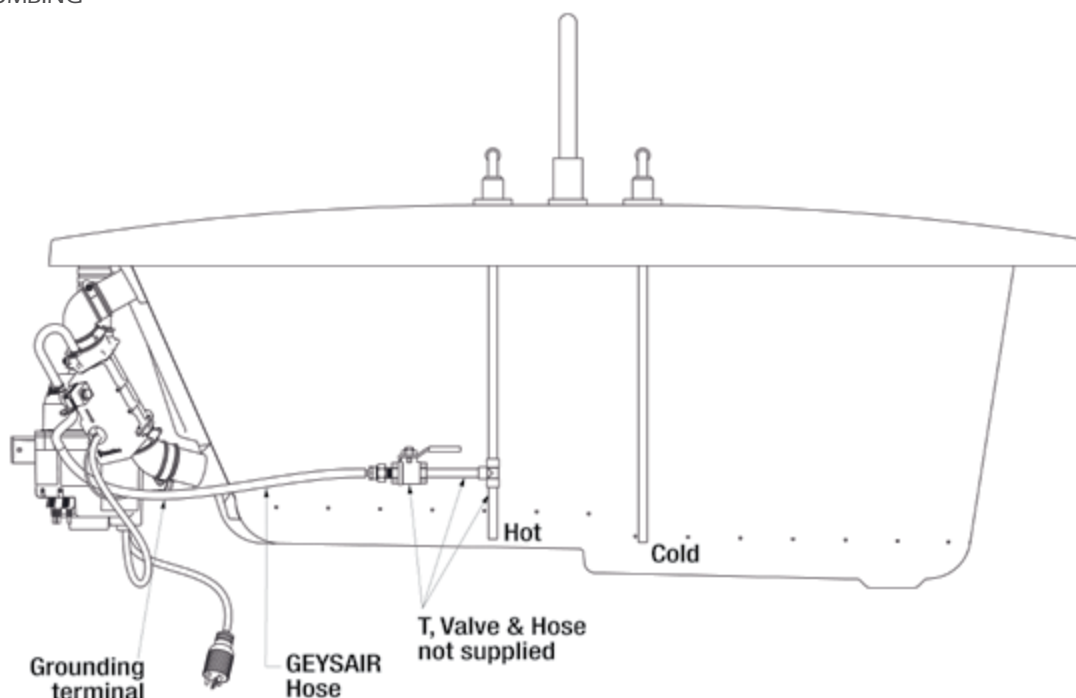
The turbine is connected to a 120V circuit.

All electrical connections must be carried out by a certified electrician in accordance with local electrical requirements and codes. Special attention must be given to installation of bath's power circuit, and more particularly to the following points:

CONNECTIONS

The modules of the electronic controls and the turbine must be easily accessible at all times. Make all connections as indicated on diagram below. Ensure that **power circuit is disabled before proceeding with any electrical connections.** Electrical cable feeding bath must be at least N° 12 AWG caliber. **Turbine must be connected to its own circuit, which, in turn must be connected directly in breaker panel without any interrupters or dimmer switches.** Canada only: the junction box must be attached to the wall at the height of at least 1 1/2" (3.8 cm) from the ground.

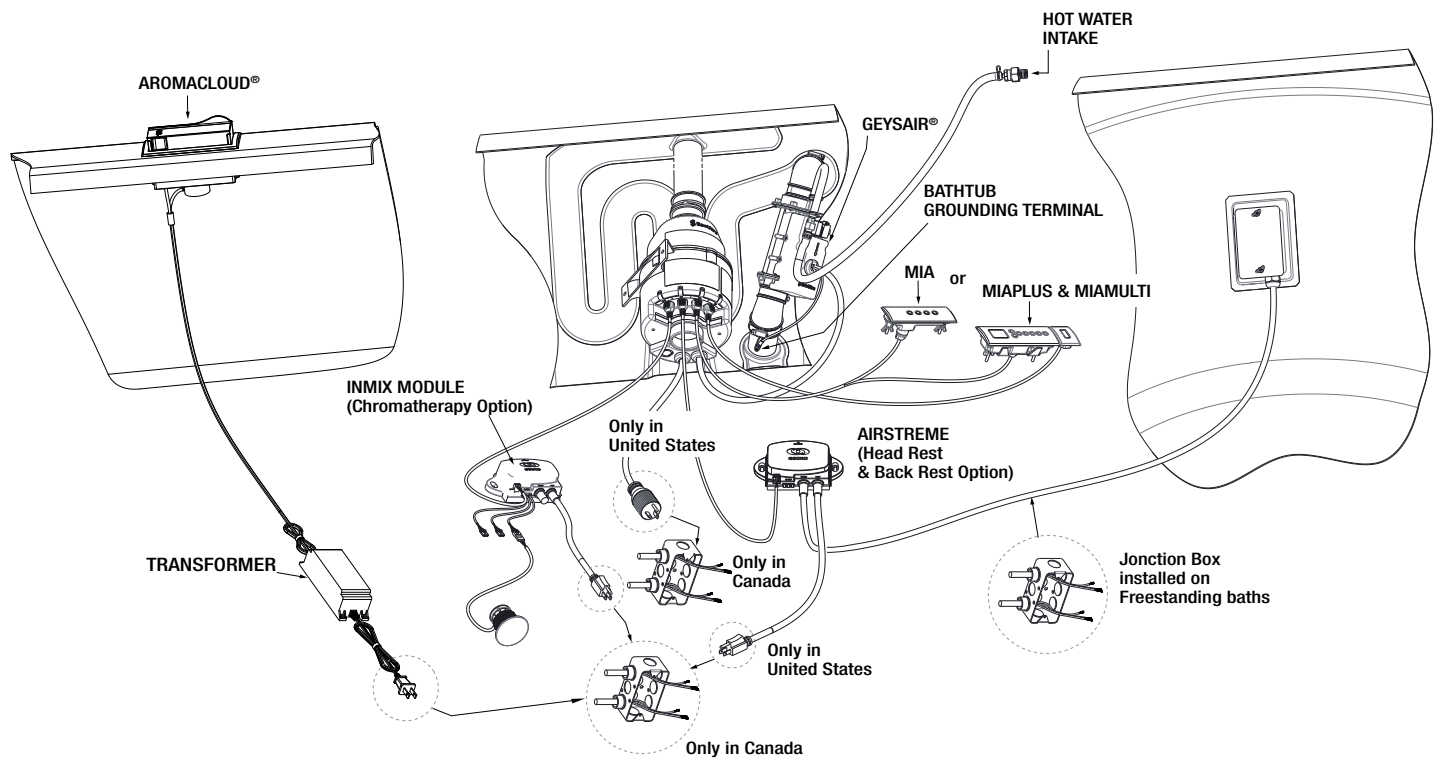
The Geysair hose must be connected to the hot water supply by a qualified plumber and according to the local plumbing code. A 3/8 inch compression male or 1/2 inch NPT hose bibb is supplied. For optimal performance, keep hose length to a minimum. Set temperature on hot water heater no higher than 140°F/60°C. **For all the houses having to deal with special water conditions (hard, rust, sulfur, etc) the homeowner should already be aware of the specific measures that should be taken for all his other appliances using water. The Geysair does not need other measures than that.**



TURBINE WITH GEYSAIR & AROMACLOUD

ELECTRICAL INSTALLATION

MIAPLUS®, MIAMULTI®
CONNECTIONS CONTROLS FOR THERMOMASSEURS®



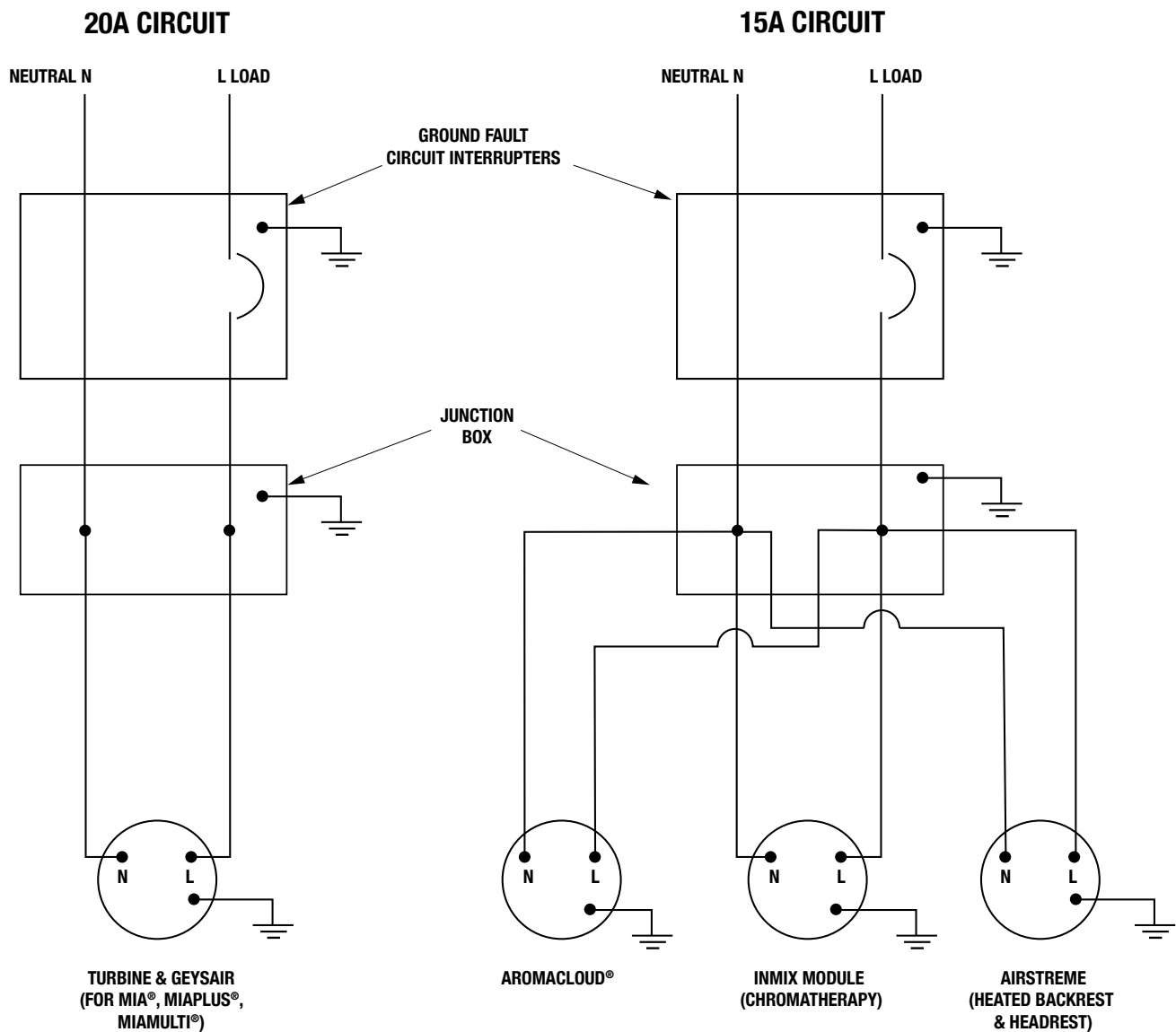
WARNING

- Electrical outlet must be installed by a certified electrician. Installation must be conducted in accordance with all local, provincial/state, and federal building/electrical codes and regulations. Connect electrical power supply only after all low voltage wiring is properly installed on turbine. If you did not follow this last step, shut off and then restart your home's circuit breaker. Turbine and air pipe should be clear of building materials and wiring.
- **Note:** Connections may differ depending on the bath model and options.

TURBINE

TURBINE WITH GEYSAIR® & AROMACLOUD®
ELECTRICAL INSTALLATION

ELECTRICAL DIAGRAM
TURBINE & GEYSAIR®, with AROMACLOUD®
Electrical connections for Canada only.



TURBINE

TURBINE

REMOTE MOUNTING INSTALLATION

LOCATION

Choose a location not requiring more than **six elbows (directional changes) and 15 ft. (4.6 m) of piping to the bath**. Choose the shortest possible distance between bath and turbine to insure the system's performance. Sufficient space and ventilation is necessary for proper air circulation. Ambient air temperature should be between 72°F (20°C) and 86°F (30°C). Easy access to system must remain possible at all times for servicing.

TURBINE INSTALLATION

Turbine may be relocated in either a vertical or a horizontal position. **Use only 1 1/2" (3.8 cm) ABS or PVC non-flexible pipes and adaptors to extend air line; the use of flexible pipes is not recommended (except when factory-installed).** Whenever possible, use two 45° elbows to change the direction of your piping. All air line pipe connections should be glued together **except for connections to the turbine, air-heater of the double heated backrest of the Amma® serie and air entry on the bath which are secured in place with screws.** **The turbine must be mounted at least 4" (10 cm) from the floor. To reduce heat loss, use insulating material along the entire air line.** Bath is delivered with a 15 ft. (5 m) cord to connect the electronic control to the turbine. If necessary, extensions are available through a retailer. To relocate turbine, refer to directions and illustrations on following pages.

All bath components are factory-installed. If you wish to relocate the turbine and InMix module (Chromatherapy) for practical or accessibility reasons, follow these instructions. Failure to follow these instructions could result in serious personal injury or and/or property damage. Failure to follow these instructions will void the warranty for the ThermoMasseur® and BainUltra® shall not be responsible for any damage, loss, cost, expense or liability relating to failure to follow these instructions.

IMPORTANT

- If the ThermoMasseur® comes with LED Chromatherapy system, InMix module must always be moved with the turbine.

WARNING

- A waiting period of 24 hours is necessary before using turbine if pipes have been glued together.

TURBINE

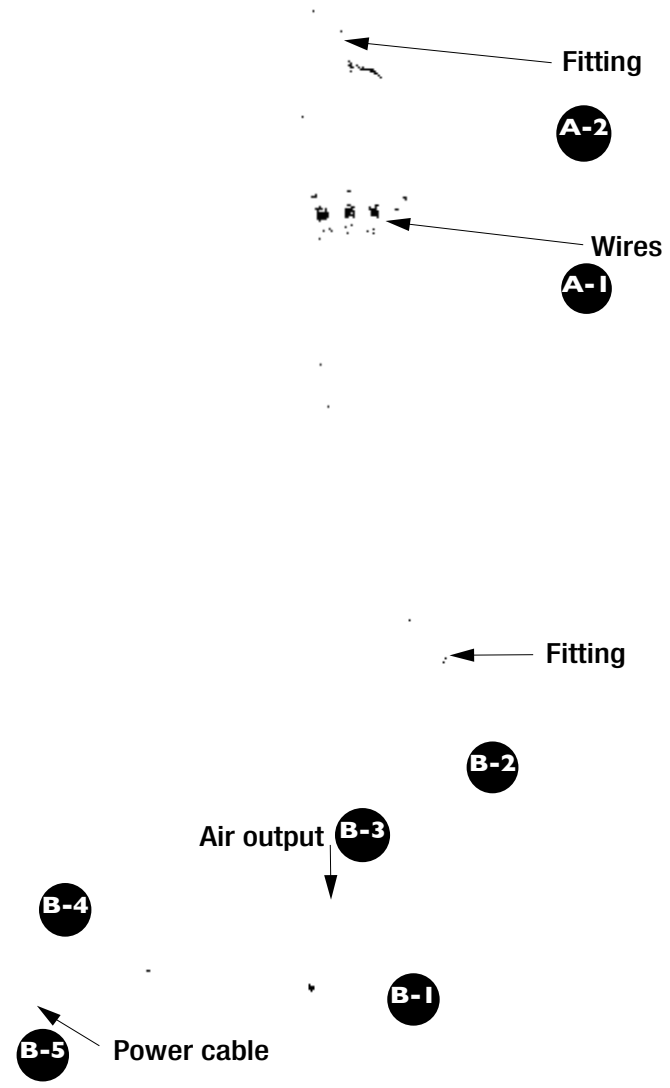
REMOTE MOUNTING INSTALLATION

A. TO REMOVE TURBINE FROM ITS PRESENT SUPPORTS

A-1	Disconnect wires going to turbine.
A-2	Using a flathead screwdriver, loosen fitting.

B. TO REINSTALL TURBINE

B-1	Mount turbine to wall or wall structure by inserting 1" (2.5 cm) screws in mounting holes.
B-2	Use as many 1 1/2" (4 cm) ABS or PVC pipes as necessary to connect turbine to bath. Follow all relocation instructions provided in installation manual. To reduce vibrations, avoid having air line pipes touch home structure.
B-3	Secure pipe at air output of turbine by drilling a 1/8" (0.3 cm) hole and by using 1/2" (1.3 cm) screw. (Do not glue).
B-4	Reconnect wires going to turbine.
B-5	Connect turbine's power supply.



SKIRTS

GENERAL INSTRUCTIONS

SIZING ACRYLIC PARTS

Depending on wall finish, you may need to size the panels and toe kicks. When installation instructions of specific skirt model mention sizing of acrylic parts, if such sizing is necessary, follow these steps.

PEEL COAT

A plastic film ("peel coat") protects the acrylic parts. It is best to leave this film in place while working. Only remove it just before installing the parts. If you remove the peel coat when work starts, you risk scratching the parts during installation. If you remove the peel coat only after all parts are installed, some plastic may stay trapped in certain areas.

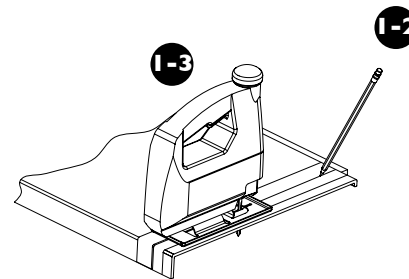
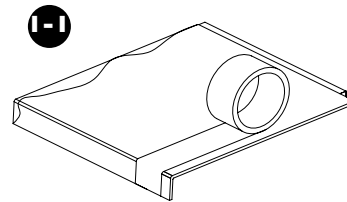
1. SIZING ACRYLIC

1-1	Protect the acrylic with tape.
1-2	Trace the cutting line.
1-3	Cut using a jigsaw with a melamine blade or a metal blade (minimum 14 teeth/inch).

Instructions specific to each skirt model are presented on the following pages. These general instructions apply to all models.

Before starting, make sure all parts match your order. Contact BainUltra® at 1-800-463-2187 if you have any questions.

Ensure that the ThermoMasseur® has been installed in accordance with BainUltra® installation instructions and the bath bottom is flush with the floor.



SKIRTS
PARTS AND TOOLS

A. NECESSARY TOOLS AND PARTS REQUIRED (NOT INCLUDED)

FOR ALL MODELS

- A-1** Measuring tape
- A-2** Screwdriver
 - Silicone

FOR TRIMMING (IF NEEDED)

- A-3** Adhesive tape
- A-4** Jigsaw and finishing blade

SJ-3 AMMA 6060

- A-5** Drill (depending on the installation)
- A-6** Eight #8 screws
- A-7** 7/16" wrench
- A-8** 7/16" ratchet

SJ-1 MODEL

- A-5** Drill (depending on the installation)
 - Two wooden blocks (2" x 3" x 4")

SJ-3 CN2K/CR2K MODELS

- A-6** Eight screws
- A-7** 7/16" wrench
- A-8** 7/16" ratchet
- A-9** 5/32" Allen key

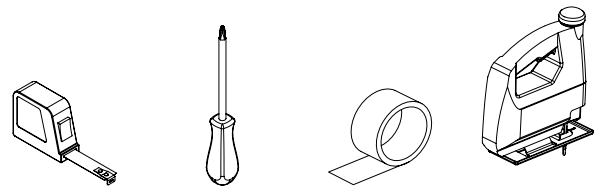
SJ-3 TM/SE MODELS

- A-6** Eight screws
- A-7** 7/16" wrench

SJ-3 TMU 5454/6060 MODELS

- A-6** Ten #8 screws
 - Scissors

You will require the pencil and level used for the installation of the ThermoMasseur® as well as the following items depending on the skirt you are installing.

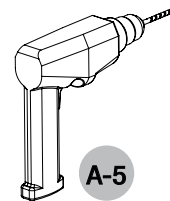


A-1

A-2

A-3

A-4



A-5



A-6



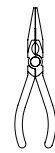
A-7



A-8



A-9



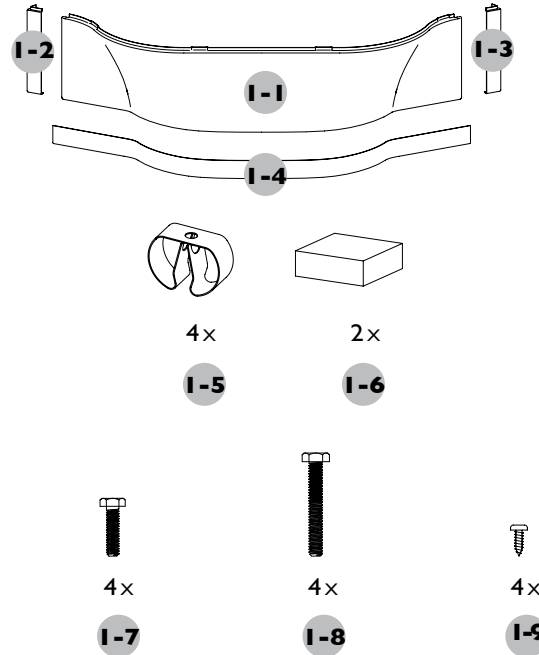
A-10

SJ-3 AMMA 6060

INSTALLATION

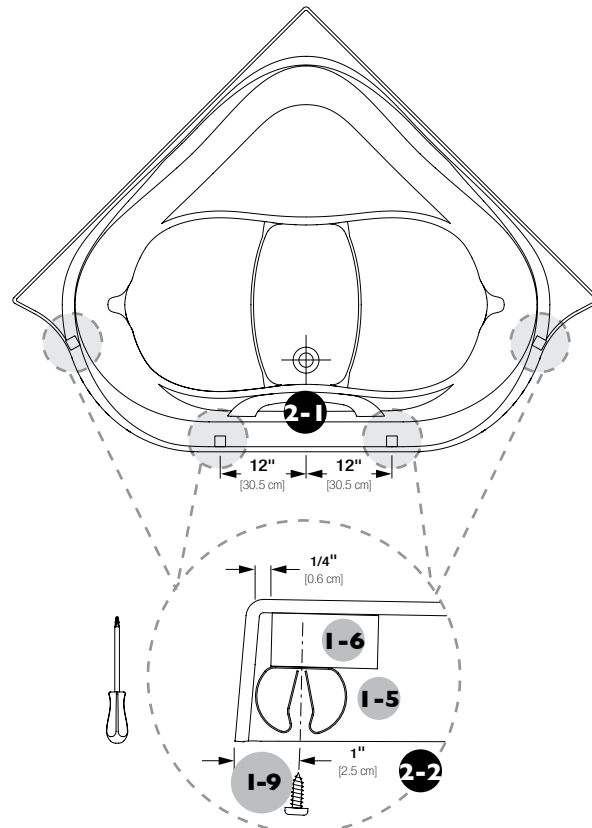
1. PARTS INCLUDED

1-1	Skirt
1-2	Left wall finishing strip
1-3	Right wall finishing strip
1-4	Toe kick
1-5	Retainer clips
1-6	1/2" (1.27 cm) wooden blocks
1-7	1/4-20 x 1" hex head bolts
1-8	1/4-20 x 1-3/4" hex head bolts
1-9	#8 x 1/2" screws



2. INSTALLATION

NOTE	If wooden blocks are already installed on bath, see step 2-3.
2-1	Using builder's glue or epoxy, glue the two wooden blocks (1-6) at 1/4" (0.6 cm) from the ledge of the bath and at 12" (30.5 cm) from each side of the center.
NOTE	The blocks at both ends are factory-installed.
2-2	Install the retainer clips (1-5) on the wooden blocks using the #8 x 1/2" screws (1-10). The center of the clip must be at 1" (2.5 cm) from the exterior ledge of the bath.



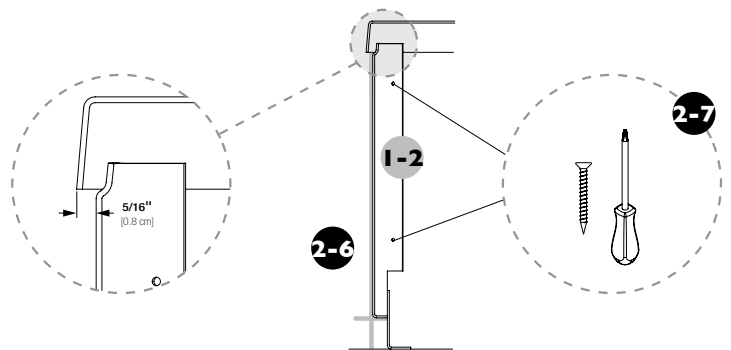
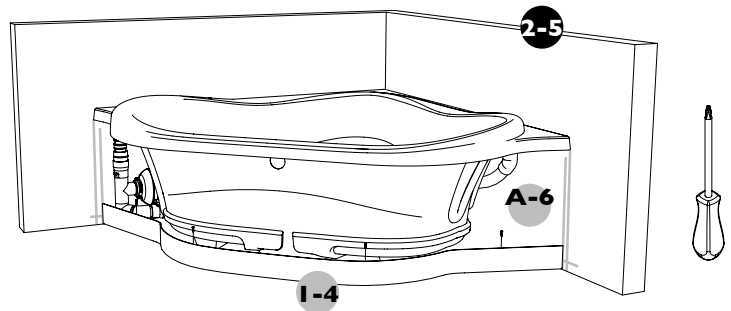
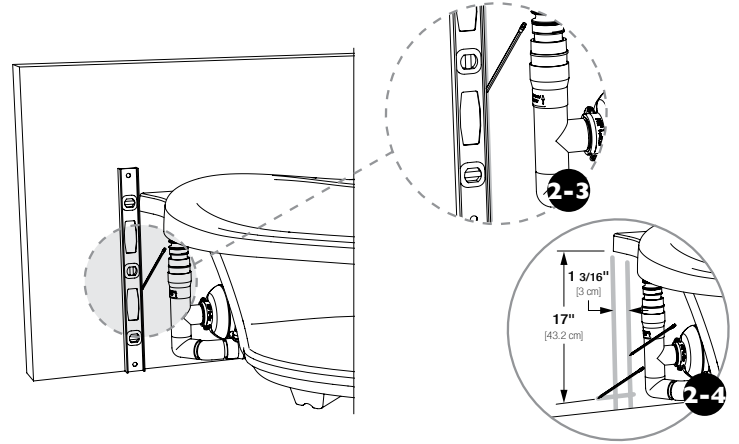
SKIRTS

SJ-3 AMMA 6060

INSTALLATION

2. INSTALLATION (NEXT)

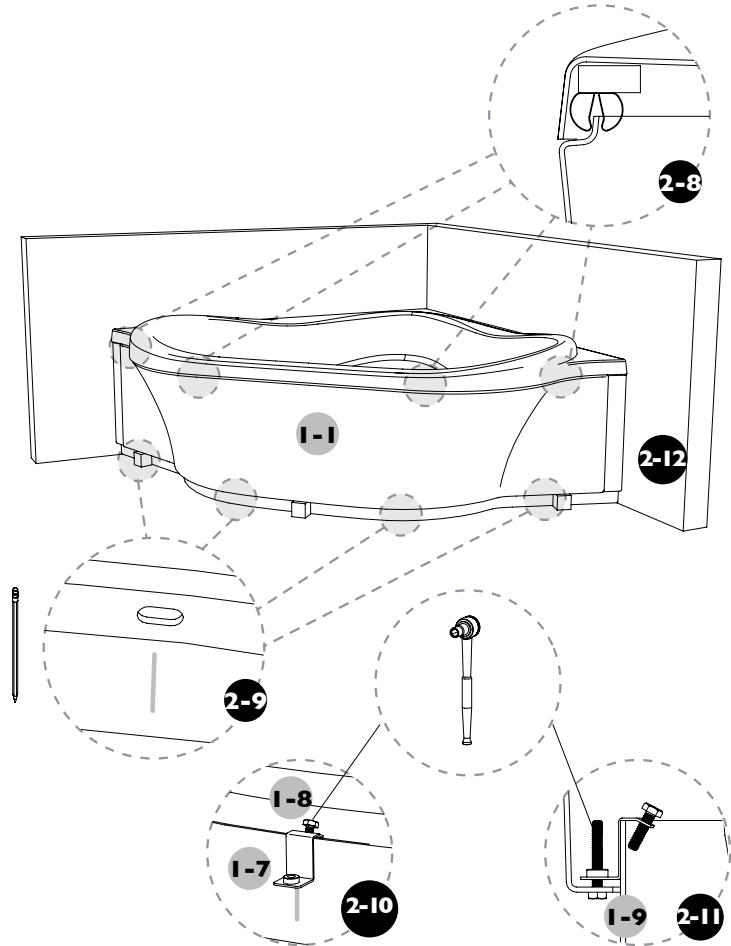
2-3	Resting the level on the outer ledge of the bath, trace a guide line on the left wall. Repeat step for other side.
2-4	At 1-3/16" (3 cm) from the line traced in the preceding step (see figure 2-3), trace a parallel line under the bath, and mark a horizontal line 17" (43.2 cm) from the upper ledge of the bath. Repeat step for other side.
2-5	Position toe kick (1-4) behind the parallel traced lines and secure into place using four screws. NOTE: Trim toe kick as needed.
2-6	Rest the base of the left wall finishing strip (1-2) in front of the toe kick and align to be parallel with the previously traced line and horizontally with the line traced at 17" (43.2 cm). NOTE: A horizontal space of approximately 5/16" (0.8 cm) should remain between the ledge of the bath and the front part of the wall finishing strip.
2-7	Secure into place in the two predrilled holes using two screws. Repeat step for other side.



SJ-3 AMMA 6060 INSTALLATION

2. INSTALLATION (NEXT)

2-8	Position skirt (1-1) on floor to rest against the toe kick and using shims, lift skirt until its upper lip is inserted at the center of the retainer clips.
2-9	Center skirt and with a pencil, mark the location of the center of the factory-drilled holes on the toe kick.
2-10	Remove skirt and position lower anchorage (1-7) on the toe kick at the center of the marks made in previous step and secure into place by tightening the hex head bolts (1-8). (Do not over tighten).
2-11	Reposition skirt by reusing the shims and secure into place by using the hex head bolts (1-9).
2-12	Tighten bolts until the bottom of the skirt forms a straight line with the bottom of the side panels. NOTE: A silicone seal at base of toe kick is recommended to ensure complete watertightness.



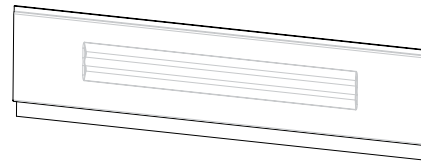
SKIRTS

SJ-1

INSTALLATION

1. PARTS INCLUDED

1-1	Center panel
1-2	Retainer clips
1-3	#8 x 1/2" screws
1-4	Wood blocks (if necessary) NOTE: Parts may vary depending on bath model.



1-1



2x

1-2



2x

1-3



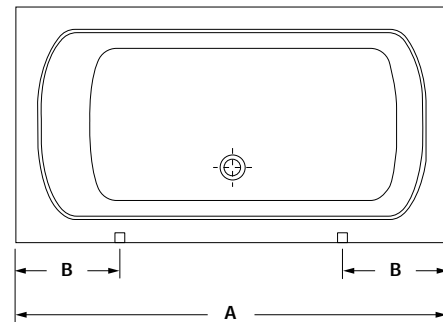
2x

1-4

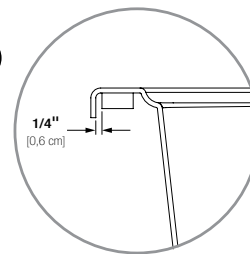
2. INSTALLATION

NOTE	If wood blocks are already installed on the bath, go to step 2-2.
2-1	Glue wood blocks 1/4" (0.6 cm) from bath rim with epoxy or construction glue. Position blocks according to bath model.

A	B
60" (152.4 cm)	16" (40.6 cm)
66" (167.6 cm)	16" (40.6 cm)
72" (182.9 cm)	20" (50.8 cm)



2-1

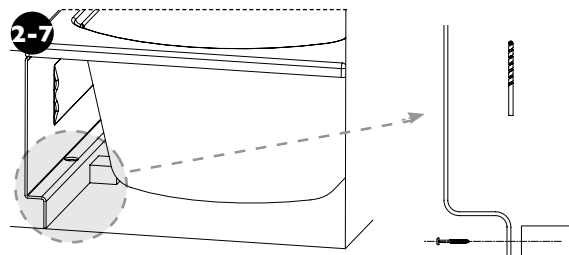
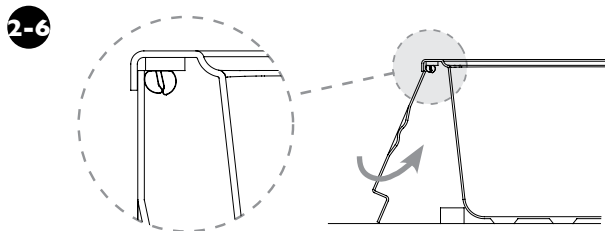
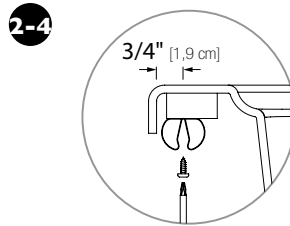
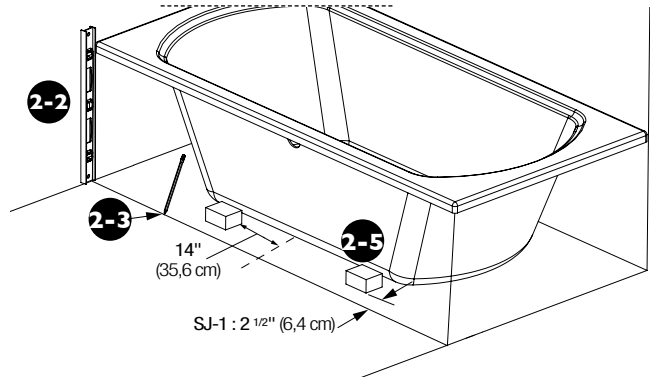


SJ-1

INSTALLATION

2. INSTALLATION (NEXT)

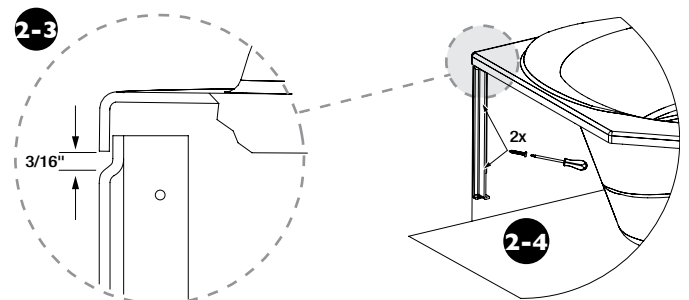
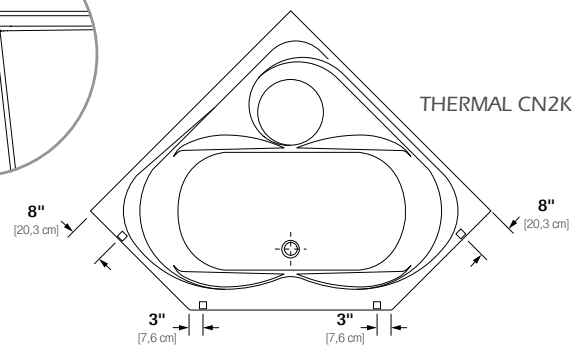
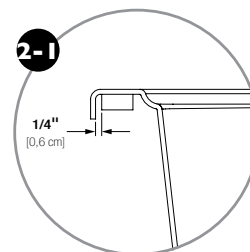
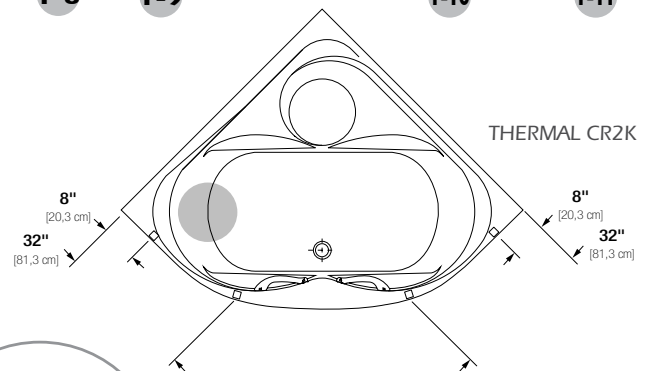
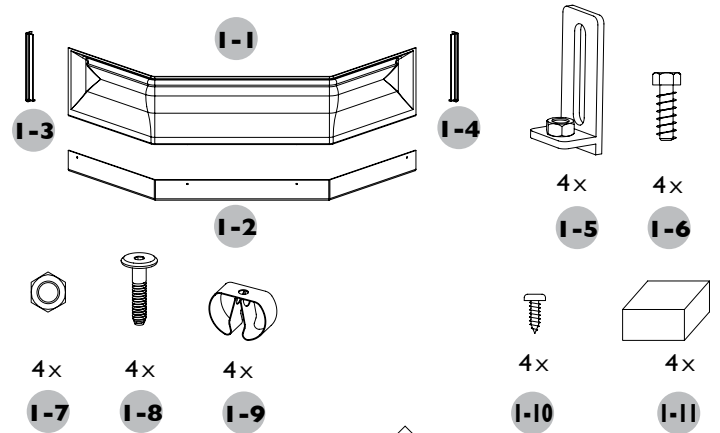
2-2	Holding a level against the side of the bath, mark a guideline on both walls.
2-3	Trace a line on the floor to connect both lines.
2-4	Install the retainer clips on the wood blocks and secure in place with #8 x 1/2" screws.
2-5	Fasten two wood blocks to the floor 14" (35.6 cm) from the center of the bath. Space them 2 1/2" (6.4 cm) from the floor guideline.
2-6	Insert top of panel between the bath rim and retainer clips under the bath ledge.
2-7	Fasten skirt to blocks with screws. NOTE: It is recommended that you apply a silicone joint to the bath base to ensure a tight seal.



SJ-3 CN2K & CR2K INSTALLATION

1. PARTS INCLUDED

1-1	Skirt
1-2	Toe kick
1-3	Left wall finishing strip
1-4	Right wall finishing strip
1-5	Skirt brackets
1-6	1/4"-20 x 1" bolts
1-7	1/4"-20 nuts
1-8	Allen screws
1-9	Retainer clips
1-10	#8 x 1/2" screws
1-11	Wood blocks (if necessary)



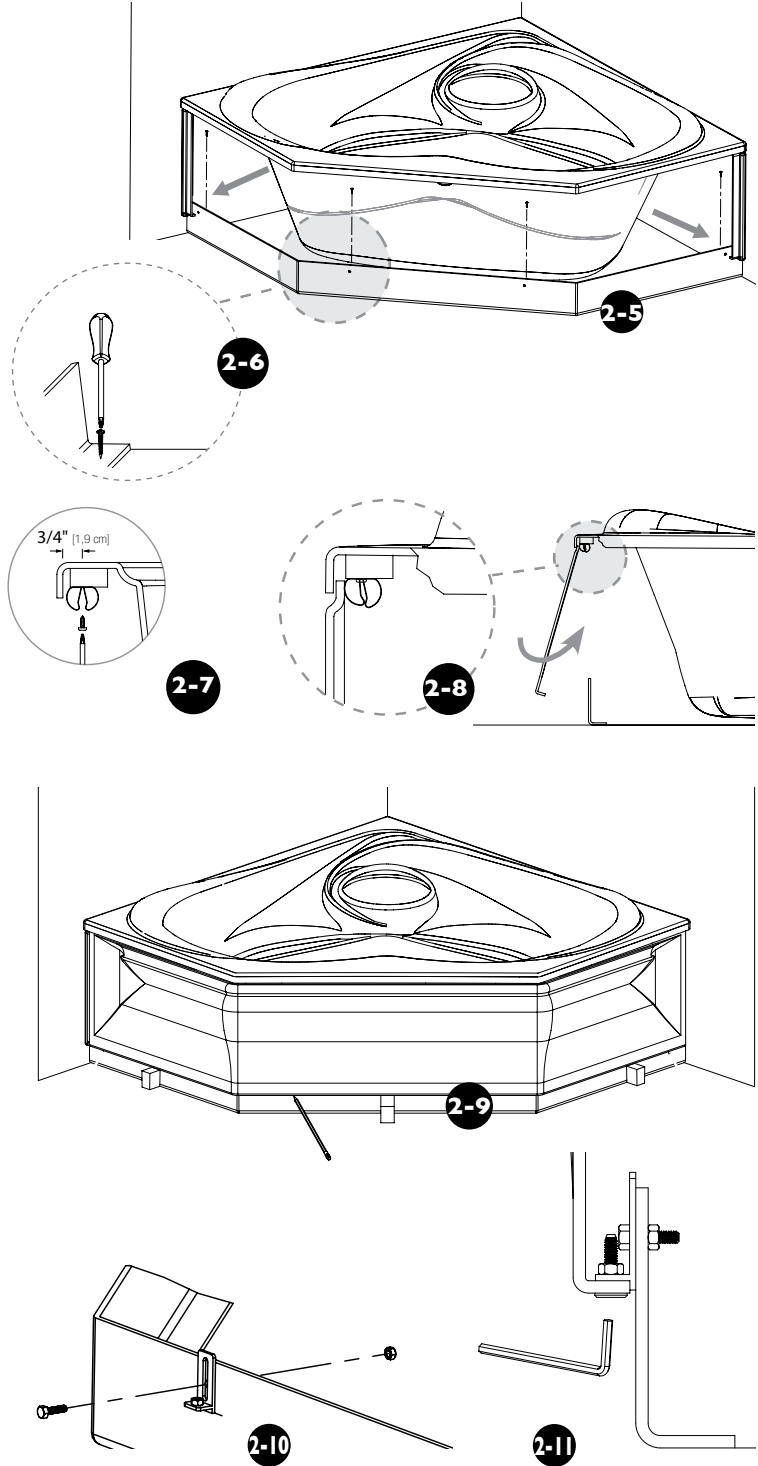
2. INSTALLATION

NOTE	If wood blocks are already installed on the bath, go to step 2-2.
2-1	Glue wood blocks 1/4" (0.6 cm) from bath rim with epoxy or construction glue. Position blocks according to bath model.
2-2	Follow step 2-2 in the SJ-1 skirt section.
2-3	Place finishing strip under the bath rim and align it with the level line on the wall. Leave around 3/16" (0.5 cm) of space between the bath and the curved end of the strip.
2-4	Fasten strip with two screws in the holes provided. Repeat for the other side.

SJ-3 CN2K & CR2K INSTALLATION

2. INSTALLATION (NEXT)

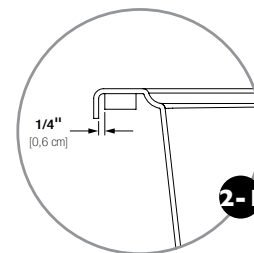
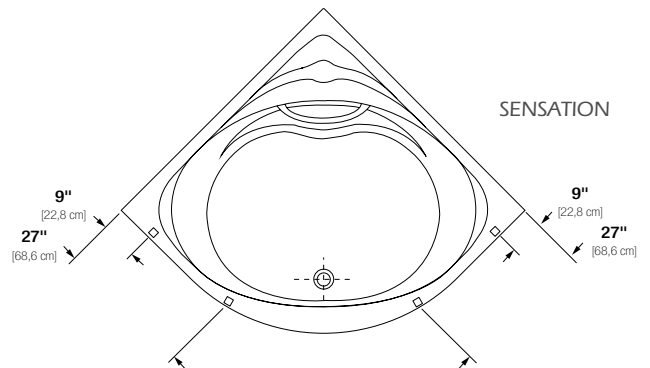
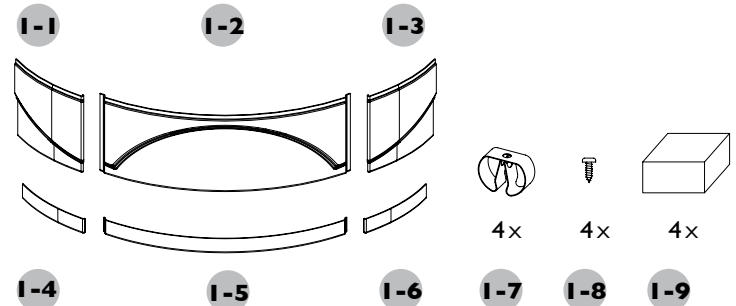
- | | |
|------|---|
| 2-5 | Install toe kick by leaning it against the inner edge of the finishing strips on each side. |
| 2-6 | Fasten toe kick to floor with four screws in the holes provided. |
| 2-7 | Install the four retainer clips on the wood blocks and secure in place with #8 x 1/2" screws. |
| 2-8 | Insert top of panel between the bath rim and retainer clips. Position base of panel against toe kick. |
| 2-9 | Raise panel and adjust height using wood blocks. Trace a line on the toe kick at the four screw holes to indicate panel height. Remove panel. |
| 2-10 | Position skirt brackets as horizontally as possible on toe kick, aligning the bottom of the bracket with the line traced in step 2-6. Fasten brackets with a bolt and nut. |
| 2-11 | Position panel by supporting it on the same pieces of wood used in step 2-6. Fasten panel to toe kick with the four Allen screws.
NOTE: Be sure there is a 1/8" (0.3 cm) space between the skirt base and toe kick to allow for turbine air intake. |



SJ-3 SE
INSTALLATION

1. PARTS INCLUDED

1-1	Left panel
1-2	Center panel
1-3	Right panel
1-4	Left toe kick
1-5	Center toe kick
1-6	Right toe kick
1-7	Retainer clips
1-8	#8 x 1/2" screws
1-9	Wood blocks (if necessary)



2. INSTALLATION

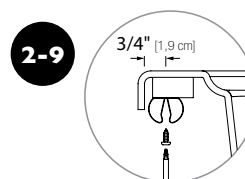
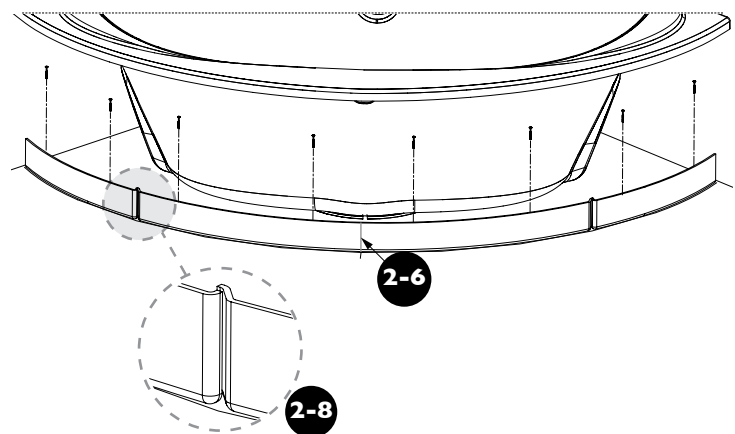
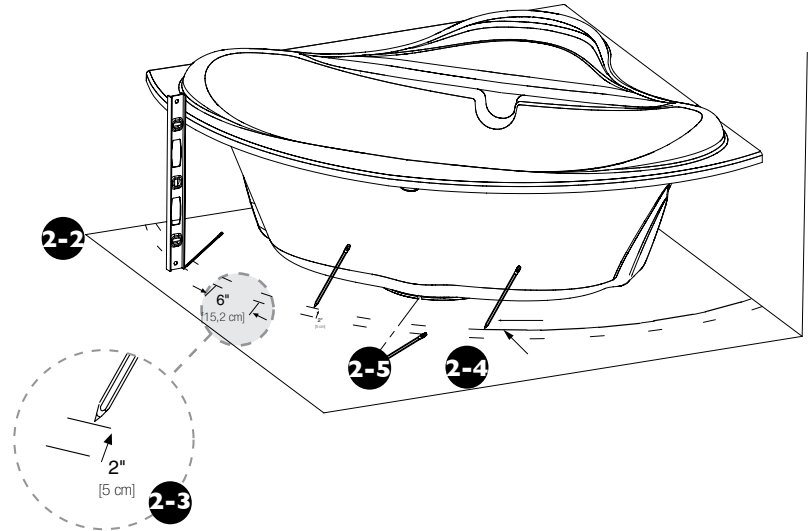
NOTE	If wood blocks are already installed on the bath, go to step 2-2.
2-1	Glue wood blocks 1/4" (0.6 cm) from bath rim with epoxy or construction glue. Position blocks according to bath model.

SJ-3 SE

INSTALLATION

2. INSTALLATION (NEXT)

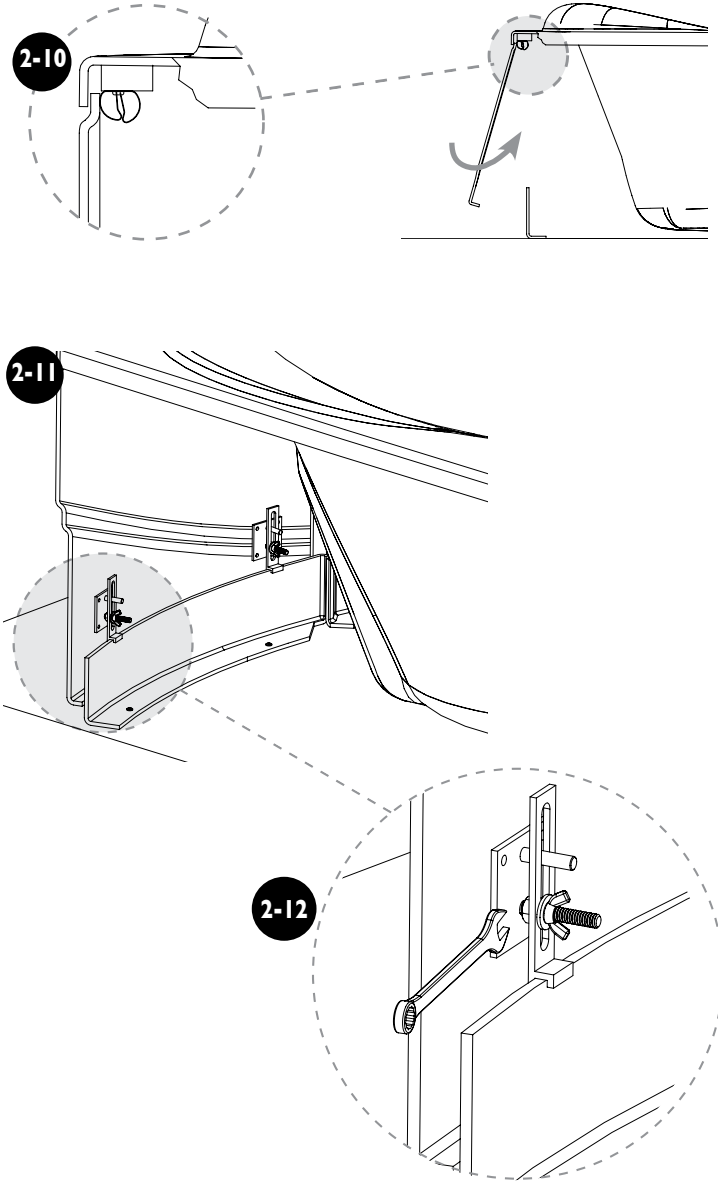
2-2	Hold level against bath rim and mark dashes around the bath every 6" (15.2 cm).
2-3	Mark a second set of dashes 2" closer to the bath. This is where the toe kick will be.
2-4	Join the second set of dashes together. This will reproduce the bath's curve.
2-5	Mark the center of this curve.
2-6	Position center toe kick just behind the curved line and center it by aligning the notch under it with the guideline on the floor.
2-7	Screw center toe kick to floor, starting with the two screws in the middle.
NOTE	You may have to bend the toe kick slightly to match the curve drawn on the floor.
2-8	Place left and right toe kicks on either side as shown and screw to floor. NOTE: Cut left and right toe kicks as needed.
2-9	Install the four retainer clips on the wood blocks and secure in place with #8 x 1/2" screws.



SJ-3 SE
INSTALLATION

2. INSTALLATION (NEXT)

2-10	Insert top of panel between the bath rim and retainer clips. Position base of panel against toe kick.
2-11	Seat brackets on toe kick and adjust screws so that brackets are vertical.
2-12	Adjust panel height, leaving 1/4" (0.6 cm) between the edge of the bath and the curved panel top.
2-13	Ensure brackets are well seated on toe kick and tighten wing nut as much as possible.
2-14	Remove panel and follow steps 2-10 to 2-13 for the left panel.
2-15	Remove left panel and repeat steps 2-10 to 2-13 with the center panel.
2-16	Leave center panel in place and reinstall the left and right panels, inserting top of panel first. NOTE: Cut left and right toe kicks and panels as needed.



SJ-3 TMU 5454 / 6060

INSTALLATION

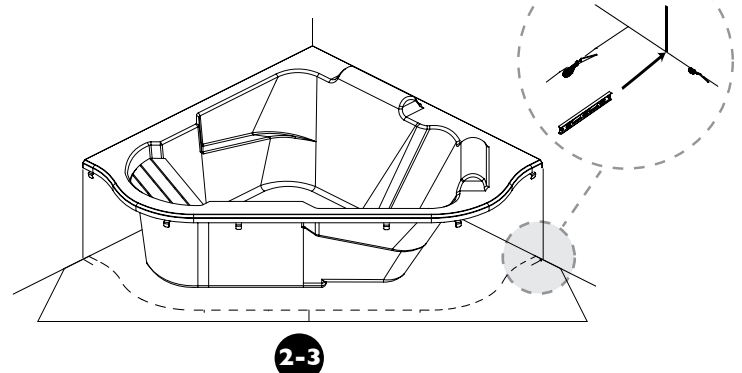
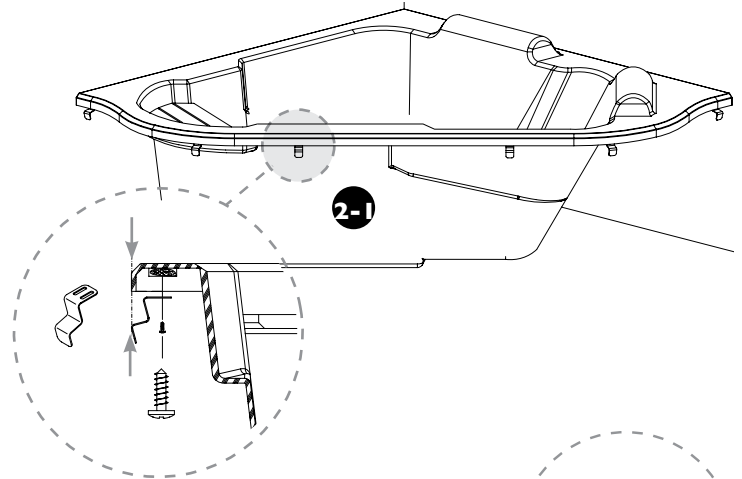
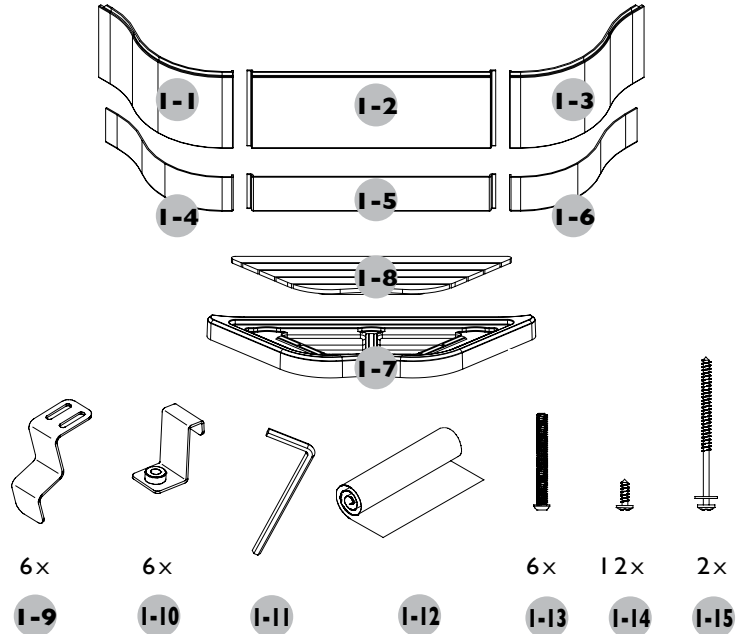
1. PARTS INCLUDED

1-1	Left panel
1-2	Center panel
1-3	Right panel
1-4	Left toe kick
1-5	Center toe kick
1-6	Right toe kick
1-7	Acrylic footing*
1-8	Wood insert*
1-9	Upper bracket
1-10	Lower bracket
1-11	5/32" Allen key
1-12	Cutting template
1-13	Round head Allen screw
1-14	No. 8 x 1/2" screws
1-15	No. 8 x 2 1/2" screws and washers*

* Parts 1.7, 1.8, and 1.15 are only included for skirts ordered with the step.

2. INSTALLATION

2-1	Screw upper brackets into factory-installed wood blocks. Brackets must be flush with the bath edge.
2-2	Follow step 2-1 in the SJ-1 skirt section.
2-3	Cut out cutting template and place it on floor, aligning the arrow marked "level" with the line traced on the wall.

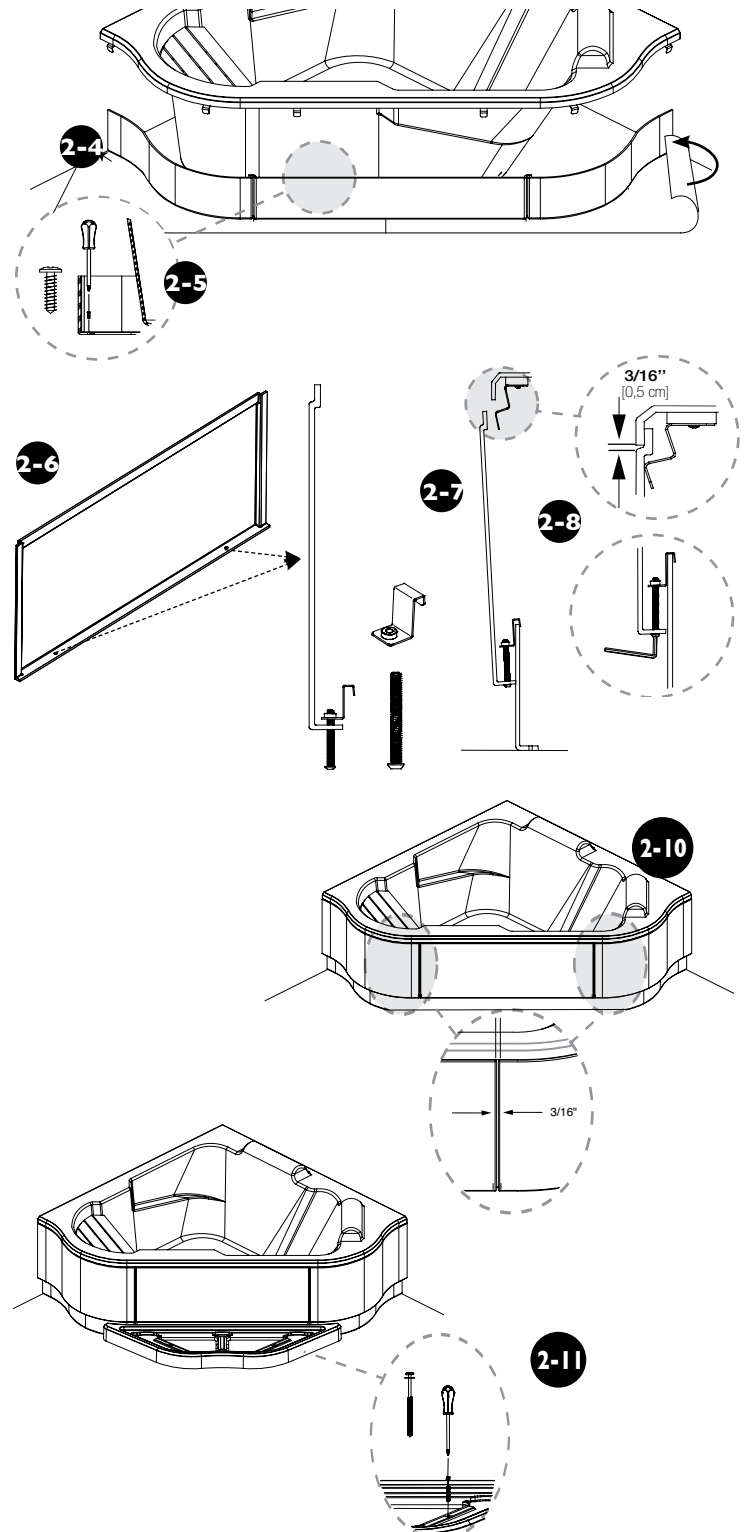


SJ-3 TMU 5454 / 6060

INSTALLATION

2. INSTALLATION (NEXT)

2-4	Align the center, left, and right toe kicks with the cutting template. Ensure center toe kick is exactly centered.
2-5	Screw toe kicks to floor and remove template.
2-6	Screw lower brackets into the predrilled holes on the center panel using Allen screws. NOTE: Do not tighten. Final tightening is done in the next step.
2-7	Hook the center panel lower bracket on the center toe kick. Push panel against the upper bracket and slide under bath rim.
2-8	Tighten Allen screw on each lower bracket to leave 3/16" (0,5 cm) of space, as shown in the illustration.
2-9	Repeat steps 2.6 to 2.8 for the left and right panels.
2-10	Leave 3/16" (0,5 cm) of space on each side of the center panel.
2-11	If you ordered the step, place acrylic footing along the toe kick, center and screw to the floor.
2-12	Place wood insert on footing.



MERIDIAN DUO

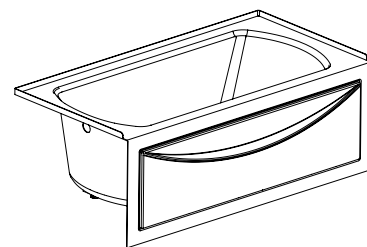
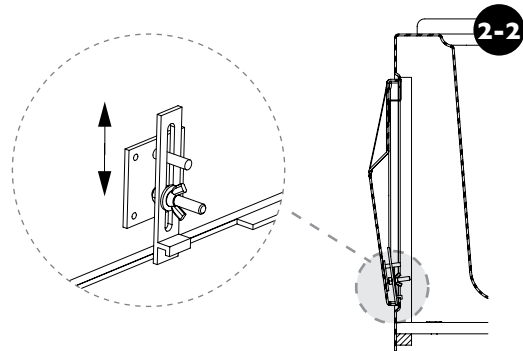
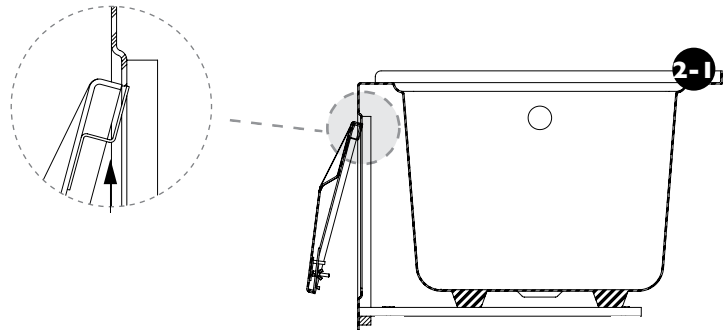
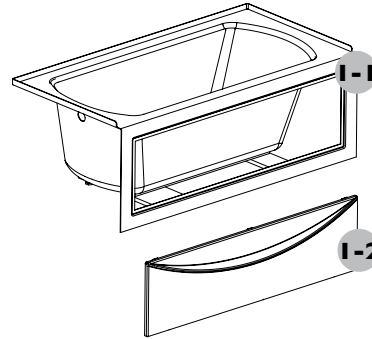
INSTALLATION

1. INCLUDED PARTS

1-1	Meridian Duo bath
1-2	Meridian Duo skirt

2. INSTALLATION

- 2-1** Insert upper part of skirt with top hooks holding the upper part of bath frame.
- 2-2** Lower skirt in order for hooks to rest against lower part of bath frame. Adjust the height of skirt by raising or lowering the lower hooks and securing them into place at the desired height by using the provided wing nuts.



MIA® & MIAPLUS® CONTROLS

INSTALLATION

REQUIRED TOOLS

1	Fine teeth jigsaw
2	Drill
3	1/4 in. drill bit

LOCATION

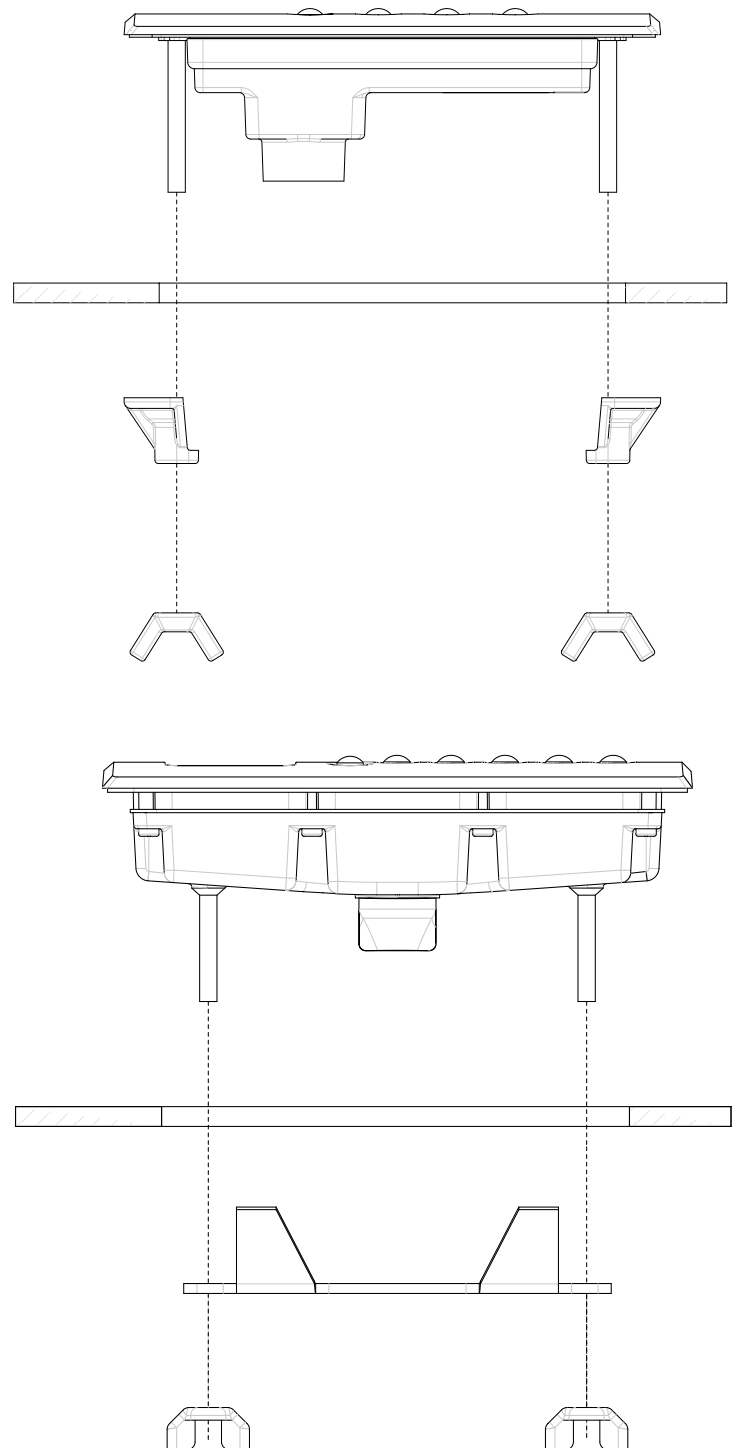
Determine the most convenient location, on either the wall or the deck, to install the control module or consult the specifications sheet for the suggested location. To avoid drilling in an air intake zone or an electric component, always check under the deck before drilling. If you have to install the control to the wall, remove the protective film of sticker behind the control. You can add a silicone bead to secure it.

DRILLING

Refer to the drilling template **on the last page** for the location and diameter of the holes.

INSTALLING THE TOUCHPAD

1	Push wiring through drilled holes.
2	Remove protective film from watertight seal.
3	Secure touchpad into place on either the podium or the wall by using 2, 8-32 x 1" studs and 2 wing nuts.
4	Tighten sufficiently to insure seal is airtight.




THE MIA® SERIES CONTROLS



▪ If control was not factory-installed, it will be attached to the turbine.



ON/OFF

On

Press the (on/off) key  to start or to stop the turbine and the Mia® control panel.

ADJUST AIR JET PRESSURE


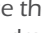
Air jet pressure can be adjusted for maximum comfort and a remarkably effective massage. Default pressure is set to 60%.

Increase or decrease the pressure of the air jets by repeatedly pressing the  or  keys until the desired intensity is reached.

TO ACTIVATE THE DRYING CYCLE

This function completely drains the conduits and dries them for 90 seconds, regardless of whether or not the system was activated. By eliminating any water left in the conduits, the **Drying cycle** ensures perfect hygiene.

- No stagnant water
- No water left over from the previous bath

To activate the **Drying cycle**, press . The operation will cease after 90 seconds. If you do not activate the function, the drying process will begin automatically after 15 minutes. If the bath is used for soaking only, activate the drying cycle manually by pressing . You can use the **Drying cycle** function immediately after a Hydro-thermo massage® session or whenever you wish.



MAIN FUNCTIONS

- Increase or decrease air jet pressure
- Activate **Drying cycle** function

NOTE

- The heat for the heated backrest is controlled simultaneously with the intensity of the jet pressure.


MIAPLUS®

USER GUIDE


KEYS AND FUNCTIONS



Press this key to start or to stop the turbine and the MiaPlus® control panel.



Press this key to return to function adjustment. The **Massage** function appears on the screen by default.




Press either of these keys to navigate the main menu of the MiaPlus® control panel.

Press the ► key to see the next function.

Functions are displayed in the following order:

- **Massage** (air jet pressure)
- **Duration**
- **Chroma** (Chromatherapy option)
- **Backrest** (heated backrest)
- **Care**
- **Save**
- **Drying cycle**
- **Lock**
- **Contrast** (screen contrast)
- **Language**
- **Contact us**



Press either of these keys to navigate the options of each function.

Press the ▲ key to go up.

Press the ▼ key to go down.

OK

Press this key to save the selected options and settings.



MAIN FUNCTIONS

MiaPlus® lets you personalize your Hydro-thermo massage® with the following functions and options:

- Adjust air jet pressure
- Select duration of session
- Select light color (Chromatherapy option)
- Adjust backrest temperature
- Personalize session settings for up to 4 different users
- Personalize drying cycle for water jet conduits
- Lock controls when bath is not in use
- Adjust screen contrast
- Select display language

Settings are automatically saved until they are modified.

MIAPLUS®

USER GUIDE

MASSAGE

This function allows the user to regulate air jet pressure for personalized comfort and a remarkably effective Hydro-thermo massage®. The default pressure is the same for the previous bath.

Increase or decrease the pressure of the air jets by repeatedly pressing the ▲ or ▼ key until the desired pressure is reached. Pressure increases in 10% increments.

Pressing **OK** is optional.

DURATION

This function lets you program the duration of your bath from 5 to 30 minutes. The selected duration will remain in the memory until it is modified.

To select the **Duration**, press the ► key on the menu until the **Duration** function is displayed.

Select the desired duration using the ▲ or ▼ keys.

Pressing **OK** is optional.

Use the arrows ◀ or ▶ or the ⬆ key to return to the basic **Message** screen.

CHROMA (OPTION)

This function uses color to provide increased comfort to body and soul.

To use the **Chroma** function, press the ► key on the menu until the **Chroma** function appears on the screen.

- **To turn off the Chroma function**, select **Off**. screen.
- **The Chroma function will turn off by itself after 4 hours.**



THE CHROMA FUNCTION FEATURES EIGHT OPTIONS

▪ Off	Deactivates the chromatherapy function.
▪ Violet	Immunizing and relaxing. Boosts the immune system, detoxifies the body, and reduces stress.
▪ Blue	Soothing and relaxing. Reduces arterial pressure and hyperactivity and soothes the soul.
▪ Green	Provides calm and balance. Relaxes entire body and stabilizes emotions.
▪ Yellow	Digestion and creativity. Helps digestion and regularity and calms brain activity.
▪ Orange	Healing and pain relief. Boosts respiratory system and soothes aching muscles.
▪ Red	Stimulating and exciting. Activates circulation and wakes up the senses.
▪ Scan	Goes through each color in turn.

NOTE

- Should you not see the colors on the screen, pressing ▼ the first time will start the color scan. Pressing a second time will freeze the lights on their color, and the third time will turn the lights off.

MIAPLUS®
 USER GUIDE

CHROMA (NEXT)

Choosing a color

Choose the desired color using the ▲ and ▼ keys.

Press **OK** to validate your choice of color.

Selecting Scan

Select the **Scan** option using the ▲ or ▼ keys.

Press **OK** to validate your choice.

Use the arrows ◀ or ▶ or the 🏠 key to return to the basic **Massage** screen.



BACKREST

For maximum relaxation and exceptional comfort, one or two heated backrests can be installed in your bath and heated individually.

Select the **Backrest** function by pressing the ▶ key until the **Backrest** function is displayed.

Four options are available:

- **Off**
- **Low**
- **Medium**
- **High**

NOTE: Models with 2 backrests will specify backrest 1 and backrest 2.

Choose the desired option using the ▲ or ▼ keys.

Press **OK** to validate your choice.

Use the arrows ◀ or ▶ or the 🏠 key to return to the basic **Massage** screen.

NOTE: Selecting the **Off** option will turn off the backrests.



MIAPLUS®

USER GUIDE

CARE

This function lets you vary air jet intensity for a deeper or gentler massage.

To select the **Care** function, press the ► key on the menu until the **Care** function appears.

Six options are available:

- **Message** – Even intensity throughout the session
- **Wave** – Jet intensity cycles from 10% to maximum desired intensity
- **Bather 1, 2, 3, 4** – Stores each bather's selection

Use the ▼ or ▲ keys to select an option.

Press **OK** to validate your choice.

Use the arrows ◀ or ▶ or the 🏠 key to return to the basic **Message** screen.



SAVE

The MiaPlus® control system lets you save up to four personalized presets. This save function lets you conveniently preselect settings adapted to various users or purposes. Simply set the functions and options according to your tastes and save them under Bather 1, Bather 2, etc. These personalized settings will stay saved until modified.

Select a bather and save personalized settings

Press the ► key on the menu until the **Save** function appears.

Use the ▲ or ▼ keys to select a user number.

Press **OK**.

Use the arrows ◀ or ▶ or the 🏠 key to return to the basic **Message** screen.

Repeat these steps for each user.



DRYING CYCLE

This function completely drains the conduits and dries them for 90 seconds. By eliminating any water left in the conduits, the **Drying cycle** ensures perfect hygiene.

- No stagnant water
- No water left over from the previous bath

Drying is mandatory after a Hydro-thermo massage® session.

Two options are available:

- **Daily**
- **After Bath**

Even when the daily drying cycle is programmed, the automatic drying cycle will activate after each use.

Select After Bath

The **After Bath** option lets you program the **Drying cycle** to start up to 60 minutes after a bath.

To select the **After Bath** option, press the ► key on the menu until the **Drying cycle** function appears.

Use the ▲ and ▼ keys to select the **After Bath** option.

Press **OK**.

Dry Delay is displayed.

Press the ▲ key to select a value from 5 to 60 minutes.

Press **OK** to validate.

Use the arrows ◀ or ▶ or the 🏠 key to return to the basic **Massage** screen.

If no value is selected, the **Drying cycle** will start up automatically 15 minutes after the bath.



MIAPLUS®

USER GUIDE

DRYING CYCLE (NEXT)

Select Daily

The **Daily** option lets you dry and clean the air jet system conduits at a specific time of day rather than within an hour of a Hydro-thermo massage® session.

To select the **Daily** option, press the ► key on the menu until the **Drying cycle** option appears.

Use the ▲ and ▼ keys to select the **Daily** option.

Press **OK**.

Start Time is displayed.

Use the ▲ or ▼ keys to select the time of day the **Drying cycle** function should start.

Press **OK**.

Current Time is displayed.

Press and hold the ▲ or ▼ keys or press them repeatedly to set the preprogrammed current time in 10 minute slots.

Press **OK**.

Once the **Daily** option is set, the **Drying cycle** will start every day at the same time until the setting is modified.

Use the arrows ◀ or ▶ or the 🏠 key to return to the basic **Massage** screen.

NOTE: The time format is preset as follows:

French: 24 hour

English: 12 hour (AM and PM)


Spanish: 24 hour




MIAPLUS®
 USER GUIDE


LOCK

This function lets you lock the control system in order to prevent the turbine from starting unexpectedly or accidentally.


It is also a child safety device, as it prevents children from starting the turbine by pressing the  key.

To **activate** the **Lock** function

Press the  key on the menu until the **Lock** function appears.

Use the  or  keys to select the **Activate** option.

Press **OK** to validate your choice.

When you stop the bath, the **Lock** function locks the  key, making it impossible to restart the turbine.


To restart the turbine when the Lock function is activated



Press the  key.

Lock is displayed. Press **OK**.

The turbine starts.

To **deactivate** the **Lock** function

Press the  key on the menu until the **Lock** function appears.

Use the  and  keys to select the **Off** option.

Press **OK**.

CONTRAST

This function controls the brightness of the MiaPlus® display screen. No matter which setting you select, the screen is always clear and easy to read from any angle, regardless of the lighting conditions of the room where your bath is installed.



MIAPLUS®

USER GUIDE

CONTRAST (NEXT)

NOTE: The screen automatically dims after 2 minutes.

To set display screen contrast, press the ▲ or ▼ key on the menu until the **Contrast** function appears.

NOTE: Use the ◀ key to access this function more quickly when you start the turbine.

Press ▲ or ▼ until the desired percentage (%) of contrast is displayed.

Press **OK** to validate your choice.

Use the arrows ◀ or ▶ or the 🏠 key to return to the basic **Massage** screen.

LANGUAGE

The MiaPlus® control system lets you select one of the following three display languages:

- **French**
- **English**
- **Spanish**

NOTE: The factory-selected language is English.

To choose the display language, press the ▶ or ◀ key on the menu until the **Language** function appears.

NOTE: Use the ◀ key to access this function more quickly when you start the turbine.

Press ▲ or ▼ to select your desired language.

Press **OK**.

Use the arrows ◀ or ▶ or the 🏠 key to return to the basic **Massage** screen.



CONTACT US

Feel free to contact Bain Ultra for any information you may need about your Thermomasseur® bath and the MiaPlus® control system.

Simply call the telephone number that appears on this screen for answers to any question.

1.800.463.2187

BainUltra® wishes you complete relaxation!

THE MIA® SERIES CONTROLS






MIAMULTI®
USER GUIDE

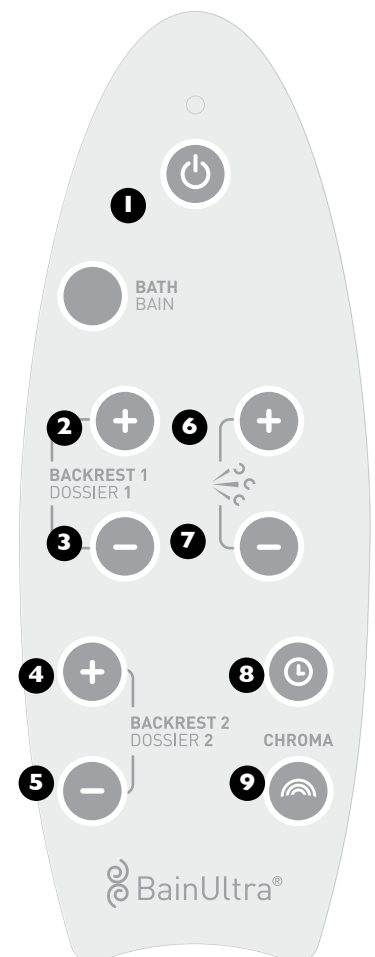
MIAMULTI®

The MiaMulti® control features the **same functions as the MiaPlus®**, but also comes with a convenient and easy-to-use remote control. You enjoy all the benefits of a personalized Hydro-thermo massage® without having to leave the bath. Just lie back and relax!



REMOTE - HYDRO-THERMO MASSAGE®

1.	Key  Operates the remote
2.	Backrest 1 + key Increases the temperature of backrest 1
3.	Backrest 1 - key Decreases the temperature of backrest 1
4.	Backrest 2 + key Increases the temperature of backrest 2
5.	Backrest 2 - key Decreases the temperature of backrest 2
6.	Blower + key  Increases air jet pressure
7.	Blower - key  Decreases air jet pressure
8.	Duration key  Selects bath duration. Press the key to increase bath duration. Each time you press the key, your bath time increases 5 minutes, to the nearest round number.
9.	Chroma key  Selects the chromatherapy function. To change the color, press the key until the desired color is displayed.



NOTE: To work efficiently, the remote must be pointed toward the MiaMulti® wall-mounted control in the room where your bath is.


THE MIA® SERIES CONTROLS

MIAMULTI®


USER GUIDE

PROGRAMMING PROCEDURE
FOR REMOTE CONTROLLER 2011 AND UP

PROGRAMMING MIAMULTI® - BATH

Press key BATH/BAIN 

Press key MINUS and keep it pushed.  BACKREST 2 DOSSIER 2

Press key POWER and keep both keys pushed for 2 seconds. 

Once red light is switched on, release both keys.

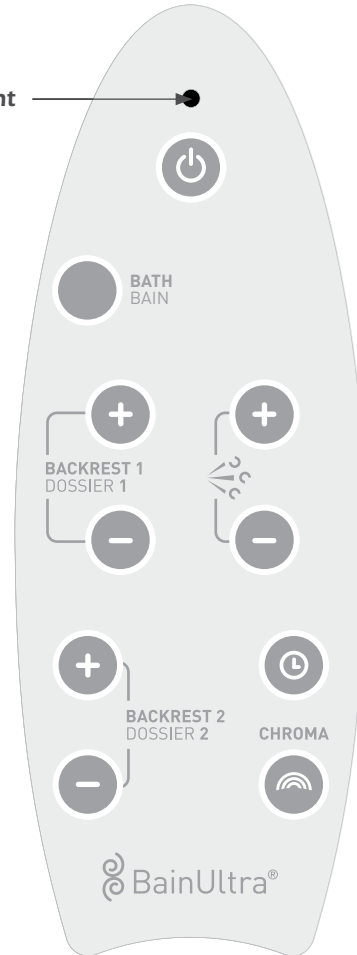
Immediately press keys sequence:

Red light will switch off at every key.

Once sequence is terminated, red light will stay switch off.

Red light



NOTE: To work efficiently, the remote must be pointed toward the MiaMulti® wall-mounted control in the room where your bath is.

MAINTENANCE

ACRYLIC

Technical information

- All BainUltra® ThermoMasseurs® are made of Lucite acrylic.

Maintenance

- Clean acrylic with a mild non-abrasive product.
- Abrasive products such as powder, paint thinners, turpentine and gas can damage the shine and lustre of the acrylic.
- For particularly tough stains, use a small amount of wood alcohol (methyl hydrate).

Safety instructions

- When applying wood alcohol (methyl hydrate), use gloves to protect hands. Rinse thoroughly after use.
- Ensure that essential oils or other therapeutic products added to bath water will not damage the acrylic finish.

ACRYLIC (MINOR REPAIRS)

Maintenance

- For minor surface damage, use a polishing putty for acrylic surfaces or automobiles.

Safety instructions

- Follow polish manufacturers' instructions.

The BainUltra® ThermoMasseur® is as simple to care for as a conventional acrylic bath. There are no pumps, valves, pipes, nor accessories to take apart or clean. Thanks to its design, the system is perfectly hygienic and completely dry. The automatic and programmable drying cycles completely empty the air channel. No standing water. Nothing left over from the previous bath. The user does not have to worry about the air channels nor the turbine. Simply clean the surface of the bath with a non-abrasive cleanser.


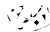
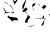




	Scratch
	Paper grade 220
	Paper grade 400
	Paper grade 600
	Paper grade 800
	Paper grade 1200
	Polish

Table - Sandpaper grade

IMPORTANT

- Any product added to your ThermoMasseur® must be dissolved in the water or if not, be mixed with an emulsifier (see the Therapy Guide for more details) in order to ensure the longevity of your bath's acrylic as well as the efficiency of its system, along with the exceptional quality of care offered by your BainUltra® bath.

MAINTENANCE

ACRYLIC (DEEPER SCRATCHES)

Maintenance

- For slightly deeper scratches, sand the spot with a wet sandpaper before polishing.
- Depth of abrasion or scratch will determine grade of sandpaper required:
 - Slight to moderate damage — grade 600, 800, then 1200 sandpaper
 - Deeper damage — grade 400, 600, 800, then 1200 sandpaper
- When sanding, start with lowest grade sandpaper (e.g. 400), working your way up as you sand a slightly larger area with each new grade. Finish with polishing putty.

CEDAR WOOD (TMU 5454/6060)

Technical information

- The cedar wood components (step and/or shelf) are protected by a highly durable and resilient coat of catalyzed polyurethane.
- This protective coating is designed for a high humidity environment and ensures a long-lasting, stain and water resistant finish.

Maintenance

- To protect the wood finish, do not leave any soaps or detergents on wood surfaces for long periods of time.
- Clean the wood with mild soap and a cotton cloth. Do not use abrasive or corrosive products.

SYSTEM

Technical information

- An automatic drying cycle starts 10 minutes after each use ensuring the dryness of the channel.
- It is normal to hear the turbine working at a certain time of day. This means that the drying cycle has been programmed.

Maintenance

- **BainUltra® recommends to start the drying cycle everytime the bath is used as a shower or just to soak.**

TROUBLESHOOTING

Your BainUltra® ThermoMasseur® has been manufactured and inspected with the greatest care. In addition, it has been thoroughly tested on a test bench to offer you a product of superior quality satisfying your highest expectations. The following troubleshooting chart will assist you in correcting a problem. If you continue to have problems, contact your retailer or the manufacturer.

SITUATION	SOLUTIONS
Your bath will not start.	<ul style="list-style-type: none"> ▪ Make sure breaker is "ON." ▪ Shut off and restart breaker. ▪ Check junction box connections to bath (for Canada only).
Breaker trips continually.	<ul style="list-style-type: none"> ▪ Make sure that your bath is the only appliance connected to circuit. ▪ Check for a short circuit between bath and breaker box. ▪ Breaker may too sensitive, defective or old. Try a new breaker. This component must be new.
Turbine stops working after only a few minutes.	<p>Turbine and air-heater are equipped with heat sensors designed to cut off power in case of overheating. Insufficient air circulation may be the cause.</p> <ul style="list-style-type: none"> ▪ Make sure turbine has sufficient ventilation. ▪ Make sure turbine intake is not obstructed.
A few airjets do not work at lowest speeds.	<p>To meet everyone's needs, particularly those of children, your bath is designed to work at a very low speed. Air jets in half-seat or those closest to drain in TMU models, especially larger models, may remain inactive at lowest speeds. This is normal and can be easily remedied by slowly raising speed to "open" inactive air jets and then lowering it to desired level. Furthermore, your bath is pre-programmed in the factory at a low, regular or high intensity depending on the size. To change the intensity level, please contact BainUltra® directly. Certain conditions may amplify this occurrence.</p> <ul style="list-style-type: none"> ▪ Check for turbine intake obstruction, too great a distance between turbine and bath, too many directional changes (elbows), and, if adequate piping has been used. See TURBINE RELOCATION paragraph.

TROUBLESHOOTING

TROUBLESHOOTING

SITUATION	SOLUTIONS
<p>Air jets seem cool.</p>	<p>Temperature of air injected into bath is directly proportional to the speed of the turbine. The higher the speed, the warmer the air is. A simple way to check if your air-heater or heaters are working properly is to turn on the system at the highest speed (if your control offers a range of intensities) with no water in the bath (there is absolutely no risk to the system). After 3 to 5 minutes, the heated backrest or backrests should be warm to the touch and jets should also seem warm when you bring your hands close to them.</p> <ul style="list-style-type: none"> ▪ Check the turbine air intake. It should not be too cold nor too warm. Ideally, the temperature should be between 72°F (20°C) and 86°F (30°C). ▪ Check that distance between turbine and bath is not too great. If possible, insulate air line along its entire length. See turbine installation section of this manual.
<p>LED does not work.</p>	<p>An LED has a 100 000-hour lifecycle.</p> <ul style="list-style-type: none"> ▪ Verify wiring and connections. <p>IMPORTANT: THESE INSTRUCTIONS ONLY APPLY IF THE LED CAN BE ACCESSED FROM BATH EXTERIOR.</p> <ul style="list-style-type: none"> ▪ Upon verification, if LED still does not work, disconnect and replace the LED by doing the following: <ul style="list-style-type: none"> - Remove the LED module by pulling on the white part of the plug. If the module is difficult to remove, use a pair of vice-grips. - Detach the wire from the bath. - Unplug the wire from the chromatherapy control module. - Plug the wire into the chromatherapy control module. - Plug the LED module back into its socket. <p>NOTE: IT IS NOT NECESSARY TO REATTACH THE WIRE TO THE BATH.</p>

THE BAINULTRA® LIMITED WARRANTY

BAINULTRA® THERMOMASSEUR® & THERMASENS®: 20 YEARS, VEDANA®: 5 YEARS

LIMITED WARRANTY

This limited warranty is extended only to the original purchaser of the unit who has possession of his or her receipt of purchase, and is valid only when the unit has been purchased through an authorized Bains Ultra Inc. ("BainUltra") retailer and has been registered with BainUltra® (registration not required for consumer purchasers domiciled in the Province of Québec). This warranty is not transferable under any circumstance. Please note that you are responsible for inspecting the product and all parts prior to installation. This warranty will not apply if a product with visible defects has been installed without providing notice to BainUltra® of the defect.

Your BainUltra® ThermoMasseur®, ThermaSens® or soaking bath is covered by the best warranty in the industry. BainUltra® guarantees the acrylic and motor turbine of your bath for a twenty-(20) year period from the original purchase date against defects in materials and workmanship.

In the case of the electronic components of the therapeutic baths parts of the Vedana® and the new technologies Geysair, AromaCloud®, WarmTouchShell and Chromatherapy. BainUltra® guarantees against defects in materials and workmanship for a five-(5) year period from the original purchase date.

Towel bars, grab bars and claw feet are guaranteed for a two-(2) year period.

The wastes and overflows are guaranteed for a one-(1) year period from the original purchase date.

The Akasa Bath Pillow and Comfort Cushion are guaranteed for a two (2) year period.

For the wooden complementary product Akasa (Chair, footrest, legrest, espalier), BainUltra® guarantees that, in their original manufacturing form, these parts are free of any manufacturing, dimensional or strongly apparent natural defects for a one-(1) year period from the original purchase date.

Tile flanges are guaranteed prior to installation only.

BainUltra® products are designed for residential use only. BainUltra® products used for commercial or display applications will be limited to a two-(2) year warranty against defects in materials and workmanship regardless of the specific nature of any potential defects.

BainUltra® products sold outside of North America will be limited to a parts-only warranty through the dealer of the sale. Our service department will help diagnose any problems with your unit and will provide parts only for repairs or replacements covered by the warranty. All parts will be shipped to the dealer in North America. BainUltra® will not be responsible for cost of shipping or servicing outside of North America. Any part that must be changed during the warranty period will be covered by the original warranty or for a two-(2) year period following replacement, according to the first contingency.

EXCLUSIONS

The above-stated limited warranty applies as long as: i) the damage is not caused by an accident, abuse, misuse, fire, insects, use of abrasive products, force majeure or an act of God. The above-stated limited warranty does not apply to:

i) Transport, handling or installation damages; or ii) wood components that will, because of their organic nature, expand when exposed to seasonal changes, normal heating variations and normal exposure to sunlight which will slightly alter the wood tint.

Moreover, this warranty is void if: i) your BainUltra® ThermoMasseur® bath, ThermaSens® bath, your Vedana®, or any other BainUltra® product is installed by anyone other than a licensed contractor; ii) your BainUltra® bath, your Vedana®, or any other BainUltra® product or part thereof has been modified or if any repairs have been attempted by anyone other than BainUltra®, an authorized BainUltra® dealer, or other representative of BainUltra®; or iii) the unit is installed outdoors, or has not been installed in accordance with BainUltra®'s instructions, or in compliance with local codes and ordinances.

Because of their organic nature, wood components will expand and contract with seasonal changes and normal heating variations. With time, normal exposure to sunlight will slightly alter the wood tint. These changes are not covered by the warranty.

Any and all components that are not provided by BainUltra®, as well as any items attached or installed on your BainUltra® ThermoMasseur®, ThermaSens® bath, your Vedana®, or on any other BainUltra® product after the date of manufacture are expressly excluded from this limited warranty.

This limited warranty does not cover any breakage and/or damage resulting from improper (non-factory) installation of AromaCloud® technology. For further information, refer to the AromaCloud® Localisation document.

PROCEDURE

Any defect involving BainUltra®'s potential liability under this limited warranty shall be reported to BainUltra® within ten (10) days of its occurrence. To assist you with your warranty, please contact BainUltra®'s customer service by email, telephone or fax between 8 a.m. to 8 p.m.

Monday to Thursday (EST) or 8 a.m. to 5 p.m. on Friday (EST).

Email: info@bainultra.com

Tel.: 1 800 463-2187 or 418 831-7701

Fax: 1 800 382-8587 or 418 831-6623

BainUltra Inc.

956, chemin Olivier

Lévis, Québec

Canada G7A 2N1

Proof of purchase and date of purchase will be required. Units claimed to be defective shall be held until inspected by an authorized representative of BainUltra®, and upon their specific instructions, units found to be defective will be repaired or replaced at BainUltra®'s exclusive choice. The liability of BainUltra® with respect to the sale of this unit shall be limited to repair or replacement by a similar product as provided above and does not include any cost of removal, reinstallation, transport and shipping of defective product, loss of time, salary or any other expenses as well as any consequential damages of any kind.

BainUltra® and its representatives shall not be liable for any injury, loss, cost or other damage, whether direct, consequential, incidental, or special, that arise from any defect covered under this limited warranty, even if BainUltra® has been advised of the possibility of such damage. Some states and provinces may not allow the exclusion or limitation of incidental or consequential damages, so the above limitation or exclusion may not apply to you, but these limitations or exclusions will be enforced to the maximum extent of the law.

An adequate access way to mechanical and electrical parts of your BainUltra® ThermoMasseur® bath, ThermaSens® bath, your Vedana®, or any other BainUltra® product must be anticipated and prepared before an authorized representative arrives on the premises to carry out a repair. The costs incurred to provide access to the motor turbine, the electronic module or the heating system will not be covered by this warranty.

LIMITATIONS

Except for consumer purchasers domiciled in the Province of Québec, and except to the extent prohibited by applicable law, this limited warranty replaces all other warranties, expressed or implied, in fact or at law, including implied warranties based on course of dealing, usage of trade, and merchantability and fitness for a particular purpose. (Inapplicable in Québec). The terms of this limited warranty cannot be modified or extended in any way whatsoever by any agent, dealer, distributor, service company or party other than BainUltra®.

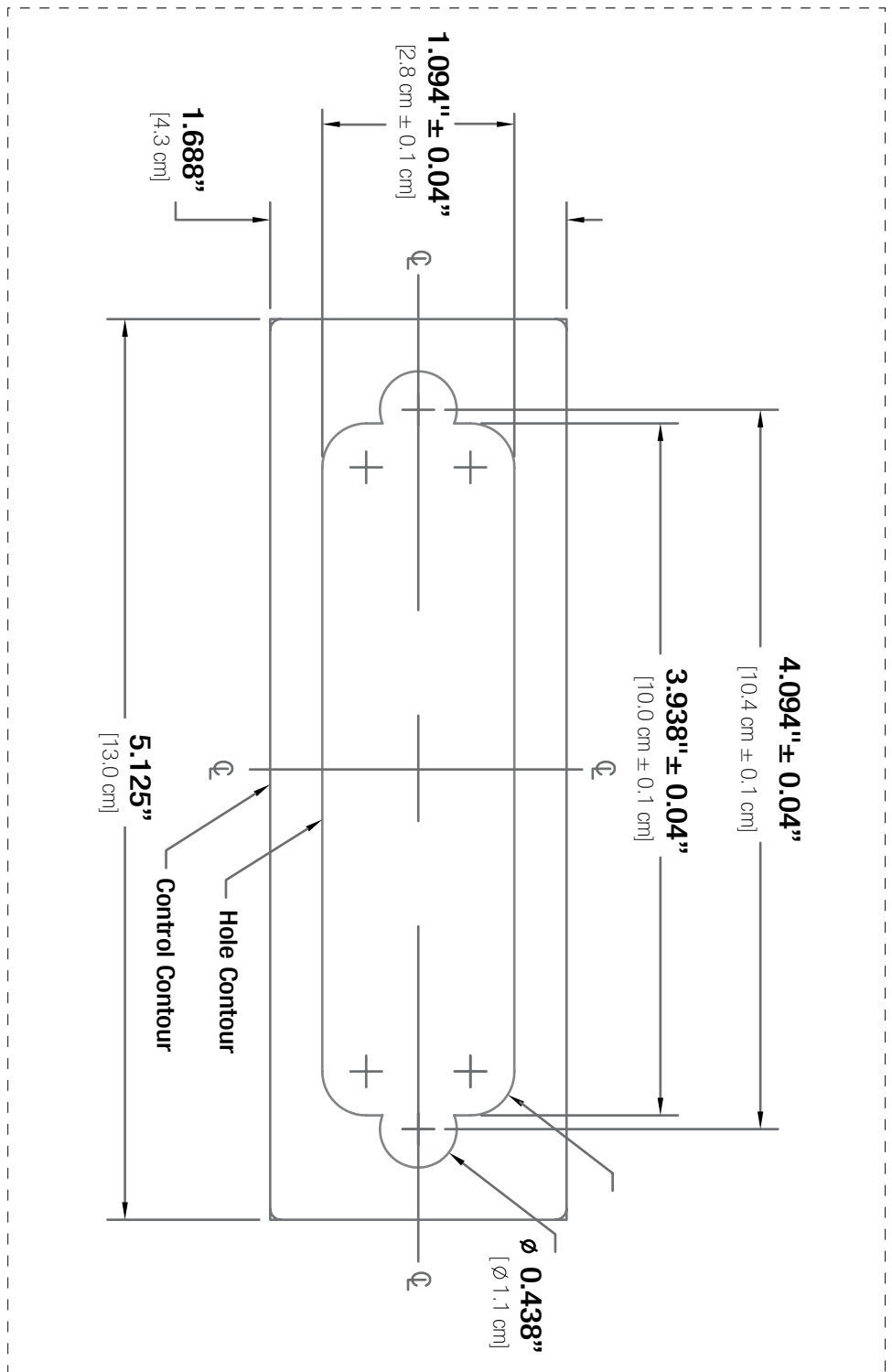
BainUltra® excludes any statement in any advertisement or instruction, any picture, or any guideline as an express warranty for our products. We recognize that some states and provinces may not allow limitations on implied warranties, so the above limitations and exclusions may not apply to you, but they will be enforced to the maximum extent of the law.

LEGAL RIGHTS

This limited warranty gives specific legal rights and is not applicable if it interferes with any law or regulation in any state, province or country.



IMPORTANT
Drawing is to scale.



Drawing of Mia® Control hole

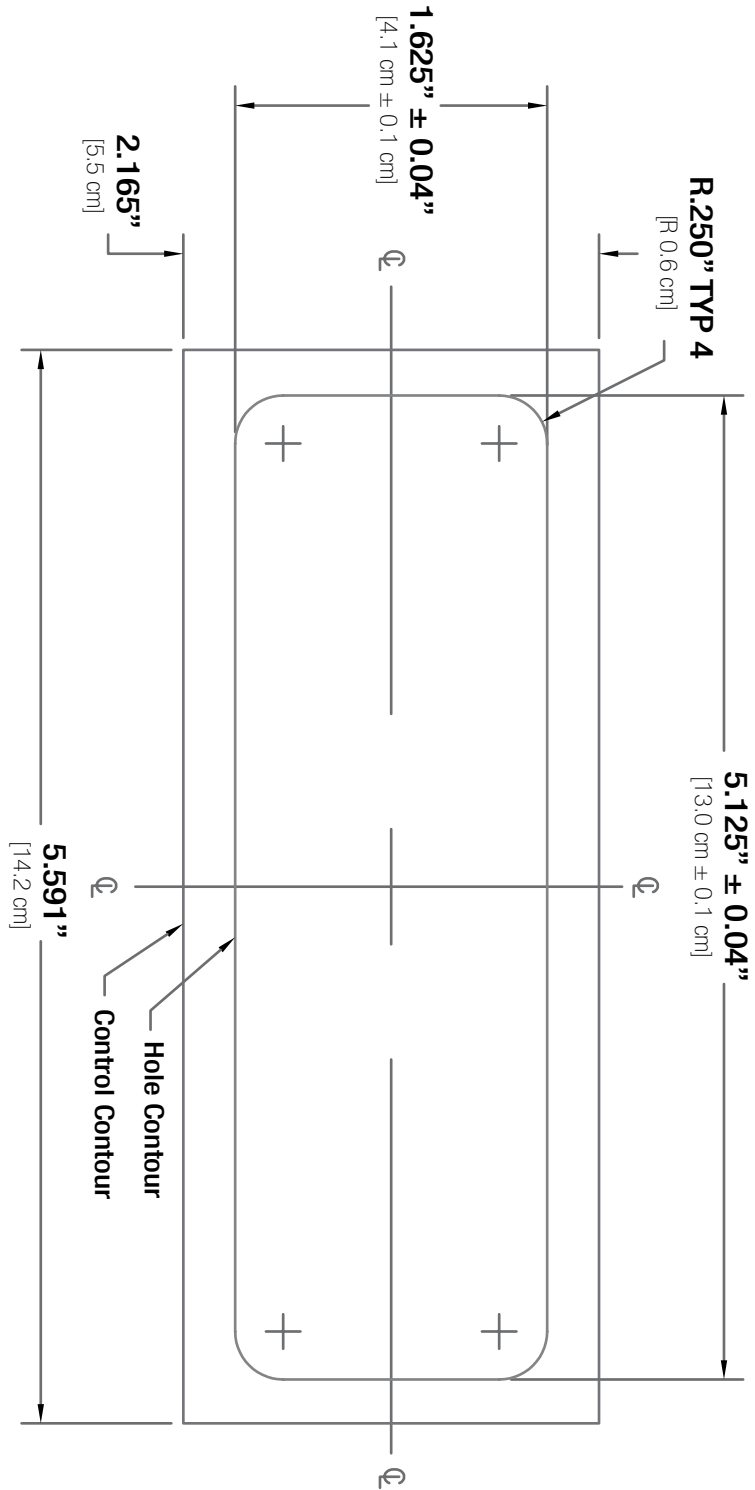
MIAPLUS® & MIAMULTI®
 DRILLING TEMPLATES

IMPORTANT

Drawing is to scale.

Drawing of MiaPlus® and MiaMulti® control hole (same template).

IR could be installed at arms reach or maximum up to 15 feet away from the bath.



Drawing of IR hole for MiaMulti®

