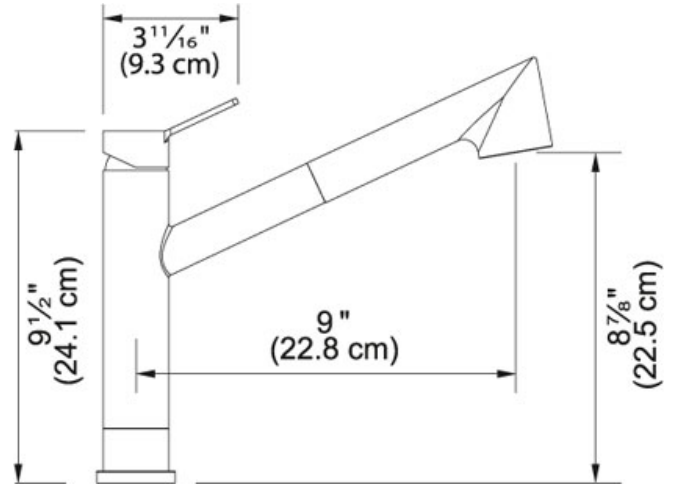


Stainless Steel | 115.0425.673

STYLE : Contemporary | FINISH : Stainless Steel | FAMILY : Faucets | SERIE : Bernard | MODEL : FFPS20550 | INSTALLATION TYPE : Sinks or worktop



TECHNICAL DATA

Version	Pull-Out Spray
Flow Rate	1.75 gpm
*	Require 1 3/8" Hole
Spray Type	Full and Needle Spray
Cartridge	CERAMIC-DISCS-Ø-35