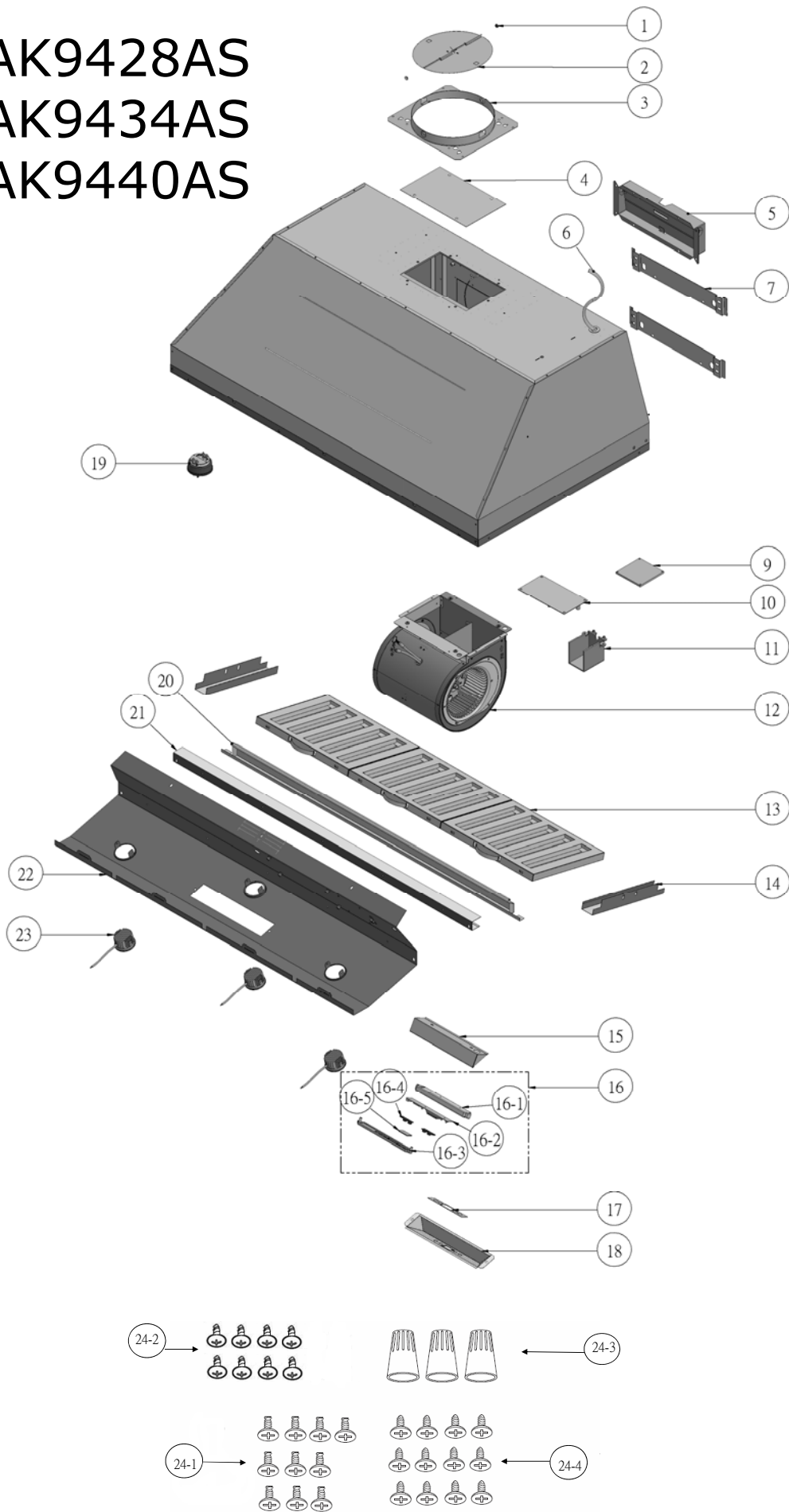


AK9428AS AK9434AS AK9440AS



AK9428AS, AK9434AS, AK9440AS

Ref #	Part #	Description	Qty.
1	56230001	Trim, Rubber	2
2	54060010	Damper, 8" Round	1
3	54050073	Collar, 8" Round	1
4	52170054	Cover, Top	1
5	54060011	Collar, 3 1/4" x 10" w/Damper	1
6	11030020	Wires, Electrical	1
7	54140146	Bracket, Motor Mount	2
8	50120078	Panel, Rear (AK9428AS)	1
8	50120079	Panel, Rear (AK9434AS)	1
8	50120080	Panel, Rear (AK9440AS)	1
9	11010055	Control Board, Remote (AK9434AS)	1
9	11010056	Control Board, Remote (AK9440AS)	1
10	11010051	Control Board, Main	1
11	54200011	Box, Junction	1
12	12120064	Motor (SN<20)	1
12	12120079	Motor (SN>=20)	1
13	50210013	Filter, Baffle, Large (AK9440AS x 3)	2
13	50210017	Filter, Baffle, Small (AK9434AS)	1
13-1	54140147	Spring, Baffle Filter	3
14	50120063	Panel, Spacer (AK9428AS)	2
14	50120064	Panel, Spacer (AK9440AS)	2
15	54140148	Holder, Switch	1
16	11000072	Switch Assembly	1
16-1	52170042	Housing, Switch	1
16-2	11010044	Switch Board	1
16-3	56210055	Cover, Switch Housing	1
16-4	50400011	Button, Switch	2
16-5	52170043	Cover, LCD Screen	1

16-6	52110018	Membrane, Switch	1
16-7	11030073	Cable, Switch	1
17	54140098	Bracket, Switch	1
18	52170056	Cover Plate, Switch	1
19	14000005	Remote Control	1
19-1	15000007	Battery, Remote Control, A23, 12V	1
19-2	56210029	Cover, Remote Control Battery	1
19-3	52180001	Holder, Remote Control	1
20	56130015	Tray, Residue (AK9428AS)	1
20	56130016	Tray, Residue (AK9434AS)	1
20	56130017	Tray, Residue (AK9440AS)	1
21	50140099	Panel, Internal (AK9428AS)	1
21	50140100	Panel, Internal (AK9434AS)	1
21	50140101	Panel, Internal (AK9440AS)	1
22	50110121	Panel, Light (AK9428AS)	1
22	50110114	Panel, Light (AK9434AS)	1
22	50110115	Panel, Light (AK9440AS)	1
23	Z0B-0034	Bulb, Bloom LED, 6W (AK9440AS x3)	2
23-1	11030104	Wiring, LED, (AK9428AS & AK9434AS)	1
23-1	11030105	Wiring, LED, (AK9440AS)	1
24	05000090	Hardware Packet	1
24-1	01020024	Screw, 3/16 x 3/8	10
24-2	01070009	Screw, M4 x 6mm	8
24-3	15000002	Wire Cap	3
24-4	01020025	Screw, #8 x 1/2"	12

APR17.0501