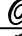


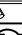




Assembly Instructions for OCCASIONAL SQUARE SIDE TABLE TST100ST & TST300ST & TST700ST

Caution: Please read instructions thoroughly before unpacking assembly parts. Sharp, exposed staple tips can cause injury, therefore, for your protection, please remove any exposed staples used in packing.

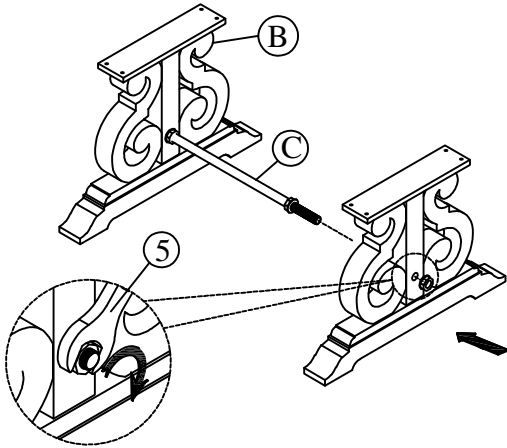
1. We recommend that you should assemble this product with the assistance of another person; this will make assembly easier, and will help to eliminate damage to the product or injury to persons during assembly.
2. Be sure to check all packing materials carefully for small parts that may have come loose inside the carton during shipment.
3. Please do not over tighten screws or bolts.
4. Please put all parts on a non-abrasive floor before assembly, and follow the assembly steps to assemble your newly purchased product correctly and efficiently.

PART LIST			
No.	PART DESC.	CODE.	Q'TY
A	Occasional coffee table top		1
B	Occasional coffee table leg frame (pce)	PTST100STLEG PTST300STLEG PTST700STLEG	2
C	Occasional coffee table stretcher(metal)	PTST100STSTR PTST300STSTR PTST700STSTR	1

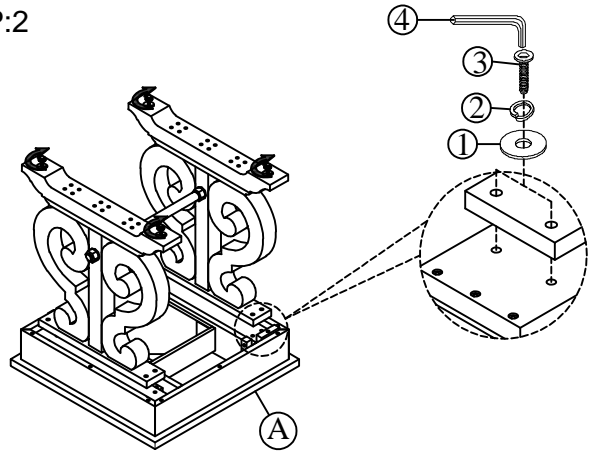
HARDWARE LIST				
No.		HARDWARE DESC	CODE.	Q'TY
1		Flat Washer (Ø5/16")	PTST100STHW PTST300STHW PTST700STHW	8
2		Spring Washer (Ø5/16")		8
3		Short bolt (Ø5/16"*1-5/8")		8
4		Allen key (Ø1/8")		1
5		Wrench (Ø5/16")		1

 Only tighten all bolts when all bolts aligned with bolt inserts.

STEP:1



STEP:2



COMPLETE

