



# Liberty Furniture INDUSTRIES, INC

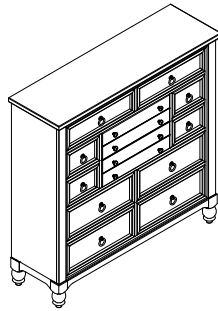
## ASSEMBLY INSTRUCTION

ITEM#: **615-BR32/BR32B**

DESCRIPTION: **12 DRAWER CHESSER**  
**12 DRAWER CHESSER-BLACK**

Thank you for purchasing this quality product. Be sure to check all packing material carefully for small parts which may have come loose inside the carton during shipment. Identify and count all parts and compare with the parts List Below:

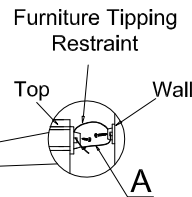
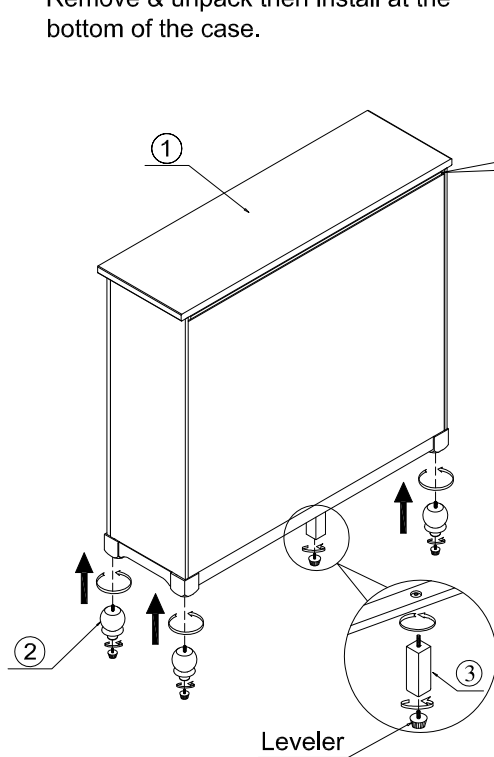
FINISHED ASSEMBLY



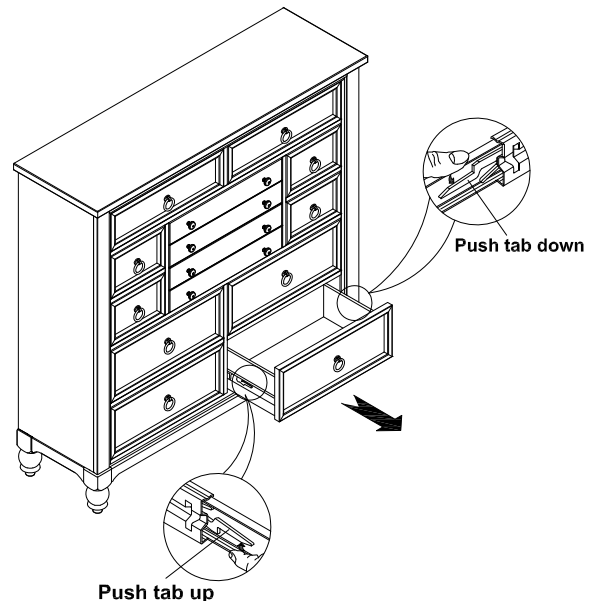
PART LIST:

①		②		③	
12 DRAWER CHESSER: 1PC		BUN FEET: 4PCS		SUPPORT LEGS: 1PC	
④					
HARDWARE LIST					
NO.	Drawing	Description	Q'ty		
A		Furniture Tipping Restraint	1 Set		

Note: Bun feet & support leg are in the drawer.  
Remove & unpack then install at the bottom of the case.



Furniture Tipping Restraint must always be used to prevent the furniture from tipping.



To remove drawer, simultaneously pull tab up on one side and push down on the other and remove drawer.

### CLEANING INSTRUCTION