



Liberty Furniture

INDUSTRIES, INC

ASSEMBLY INSTRUCTION

: 457-BR15

ITEM#: 457-BR16FS

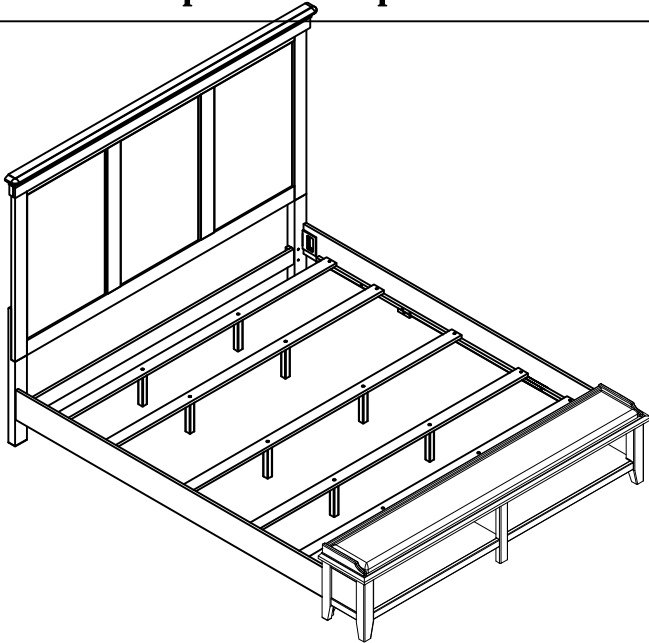
: 457-BR90

: KING PANEL HEADBOARD

DESCRIPTION: KING UPH BENCH FOOTBOARD

: PANEL BED RAILS

Thank you for purchasing this quality product. Be sure to check all packing material carefully for small parts, which may have come loose inside the carton during shipment. Identify and count all parts and compare with the parts list below.



PARTS LIST

NO	DRAWING	DESCRIPTION	Q'TY
1		Headboard	1pc
2		Footboard	1pc
3		Side Rail	2pcs
4		Slat	5pcs
5		Support Leg	10pcs

HARDWARE LIST

NO	DRAWING	DESCRIPTION	Q'TY
A		Hanger Bolt Ø5/16"*76mm(L)	8pcs
B		Spring Washer Ø5/16"*Ø13mm	8pcs
C		Flat Washer Ø5/16"*Ø19mm	8pcs
D		Hexagon Nut Ø5/16"*12*12mm	8pcs
E		Allen Wrench 12.8mm	1pc
F		Screw M4*25mm	10pcs

