

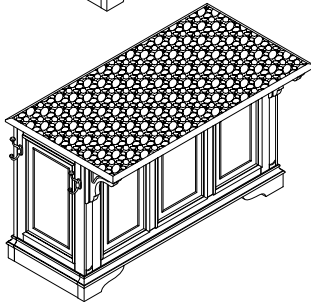
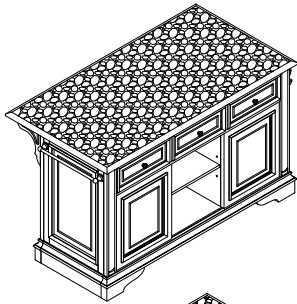


ITEM#: **244 - IT6032G**

DESCRIPTION: **KITCHEN ISLAND WITH GRANITE**

Thank you for purchasing this quality product. Be sure to check all packing material carefully for small parts which may have come loose inside the carton during shipment. Identify and count all parts and compare with the parts List Below:

PART LIST:

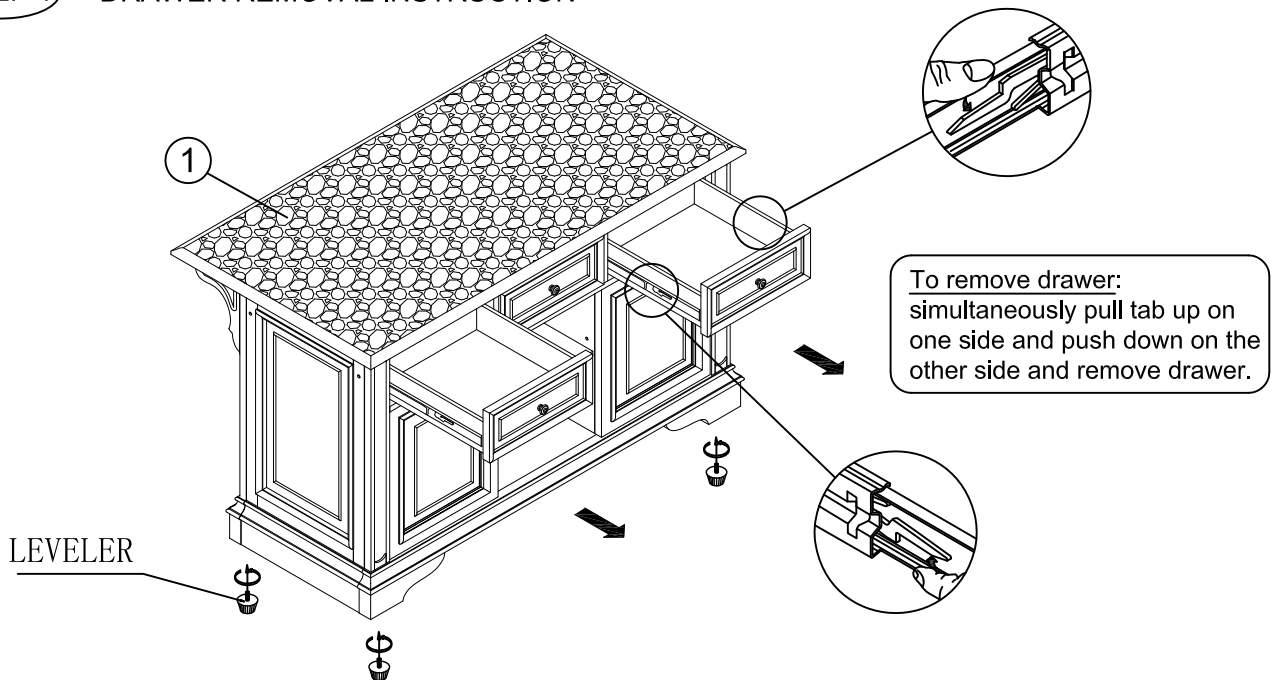


①		②		③		④	
	KITCHEN ISLAND WITH GRANITE: 1PC		TOWEL BAR BLOCK ON LEFT SIDE: 2PCS		TOWEL BAR ON LEFT SIDE: 1PC		HOOKS ON RIGHT SIDE : 2PCS

HARDWARE LIST

NO.	Drawing	Description	Q'ty
A		Bolt (Φ1/4"×1-1/2")	2pcs
B		Flat washer (Ø1/4"×19mm)	2pcs
C		Spring washer (Ø1/4")	2pcs
D		Screw Bolt (Φ5/32"×1-1/8")	2pcs
E		Flat washer (Ø5/32"×12mm)	2pcs
F		Spring washer (Ø5/32")	2pcs
G		Allen wrench (4mm)	1pc

STEP 1 DRAWER REMOVAL INSTRUCTION



CLEANING INSTRUCTION

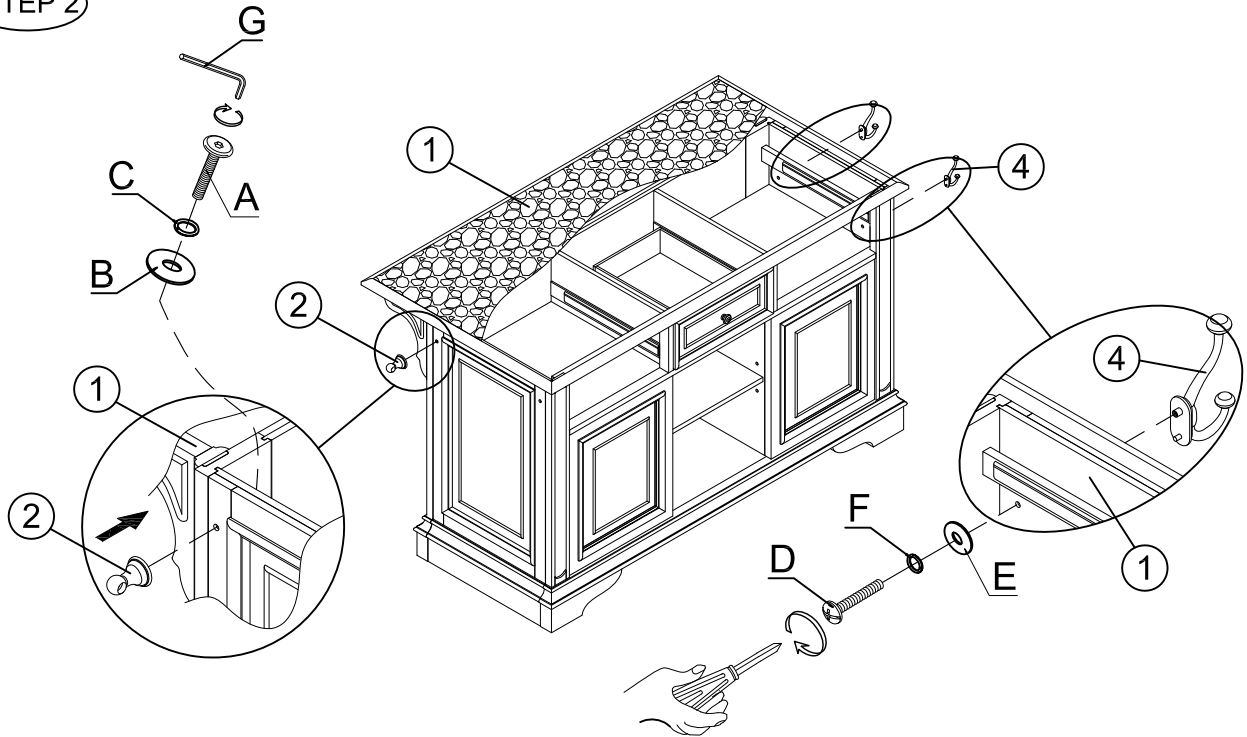
Clean the Kitchen Island with Granite surface with furniture polish and soft cloth.



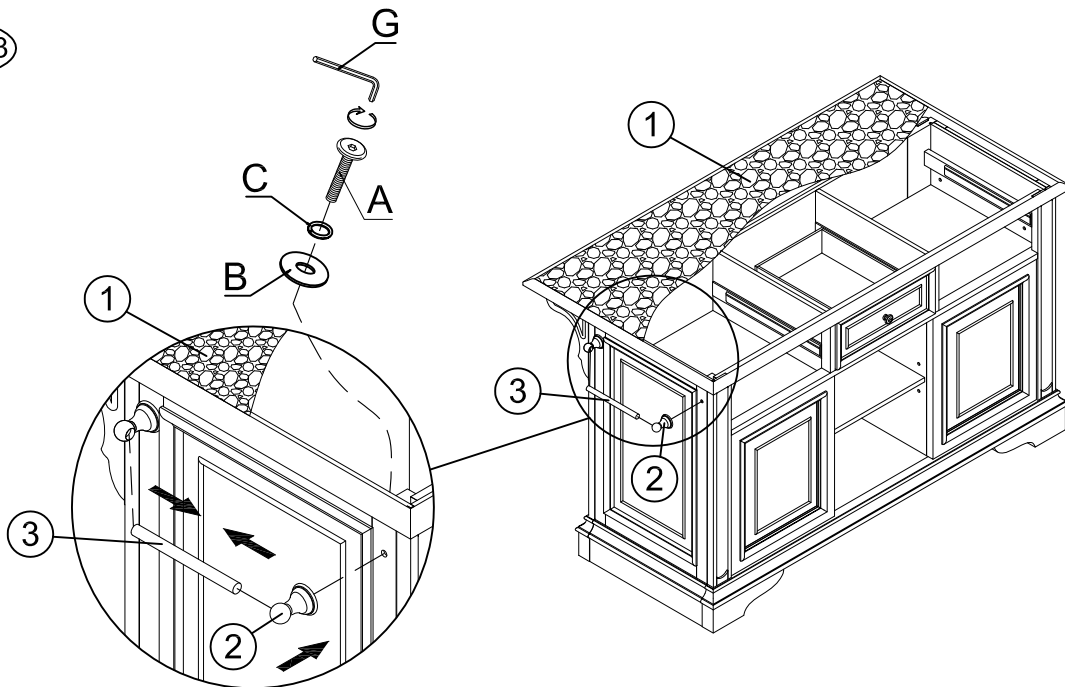
ITEM#: **244 - IT6032G**

DESCRIPTION: **KITCHEN ISLAND WITH GRANITE**

STEP 2



STEP 3



CLEANING INSTRUCTION

Clean the Kitchen Island with Granite surface with furniture polish and soft cloth.

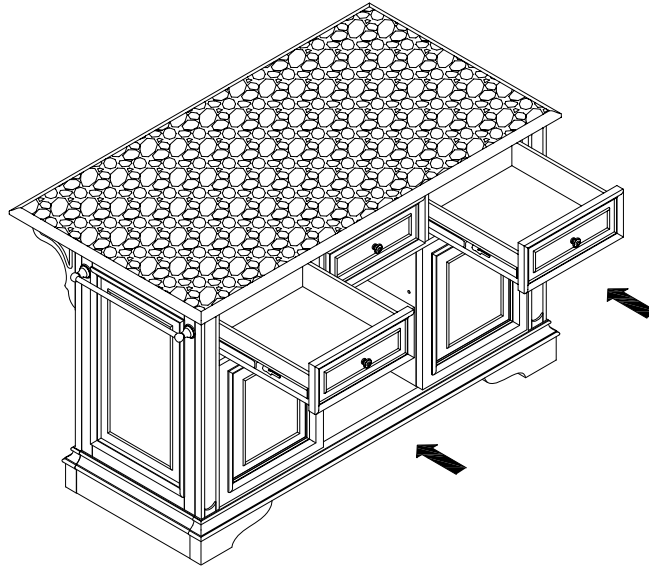


ITEM#: **244 - IT6032G**

DESCRIPTION: **KITCHEN ISLAND WITH GRANITE**

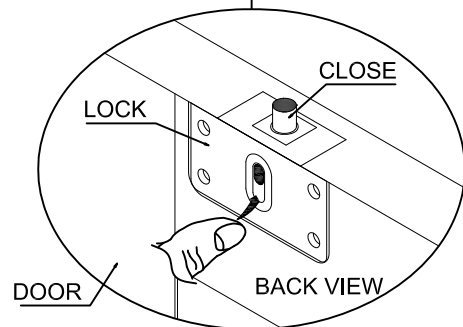
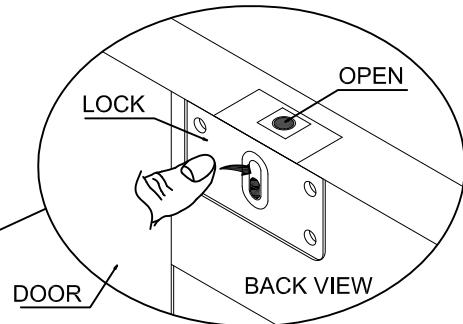
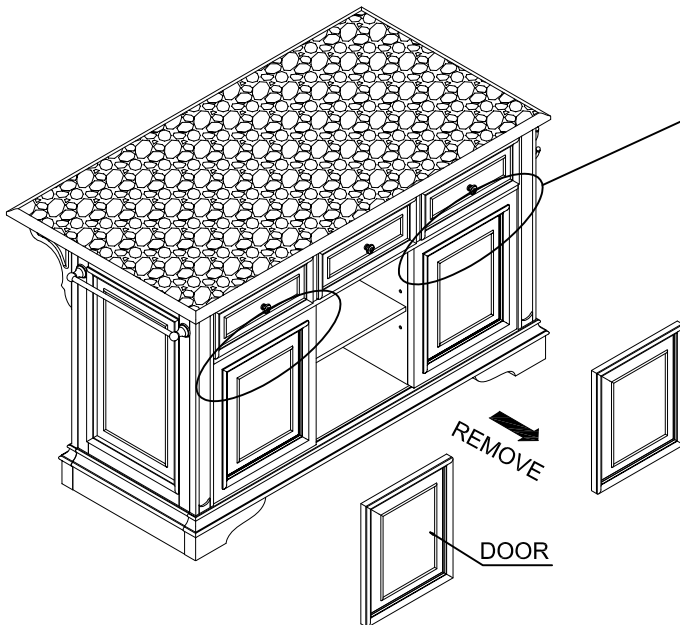
STEP 4

ASSEMBLE DRAWER BACK TO THE KITCHEN ISLAND:



STEP 5

REMOVE THE DOOR INSTRUCTION



CLEANING INSTRUCTION

Clean the Kitchen Island with Granite surface with furniture polish and soft cloth.



ITEM#: **244 - IT6032G**

DESCRIPTION: **KITCHEN ISLAND WITH GRANITE**

Note : Keep your Granite and Marble looking great by attached some precautions and Care Guide.

Marble

Marble is one of nature's wonders; a rare and beautiful material that is as functional as it is attractive. Keep your marble lovely by keeping it clean and properly protected. Caring for marble is easy with a little effort and the right helpers. Through normal home use marble may dull slightly, losing some of its brightness and luster. This is easily reversed:

- Wash your marble with clean cloths and fresh luke-warm water.
- Twice a year wash it with mild detergent as an additional safeguard to remove any residual dirt, which can become ingrained.
- Protect your clean marble with a marble polish such as Weiman® Marble Polish. NOTE: Weiman® Marble Polish is not for use on floors.

There are three distinct types of problems that occur with marble:

- **Soiling:** Soiling is a haze or film caused by smoke, soot, dirt, dust, etc., which dulls the stone, hiding its beauty. Soil does not penetrate the marble but simply lies on the surface.
 - **Stains:** Blemishes and discoloration caused by colored material penetrating the marble. Tea, coffee, tobacco, ink and soft drinks, color from paper or textiles can all stain marble. Oily materials such as milk, salad dressing, meat, hand cream, etc., can also cause severe staining.
 - **Etching:** Etching is caused by the action of acids on marble when part of the surface of the marble is actually eaten away. Alcohol, wine, beer, fruit juices, soft drinks, condiments and salad dressings can all etch marble. Rings and dull spots are usually etch marks. An etched surface feels rough or depressed to the touch.
- Soiling:** Apply Marble Polish to a soft cloth. Wipe marble surface until soil has been removed and its luster and veining is bright and clear. The surface should be dry.

Marble Polish helps seal marble pores, inhibiting staining. It also leaves behind an invisible protective coating that slows down an etching action.

Alcohol and fruit juices will mar the finish of marble, and it is advisable to use coasters under glasses when placing them on marble tops. Any liquid spilled on marble should be washed with clean water as soon as possible.

Staining: Most stains can be removed with the application of a poultice. Make your poultice of white blotting paper, white paper napkins, or white cleansing tissue. The poultice should be soaked in the required solution and kept moist while it is on the marble. To keep your poultice moist, cover it with a plastic wrap to keep the moisture from evaporating while the stain is being drawn out. Drawing out a stain may take from 15 minutes to 24 hours, depending on the age and the severity of the stain.

Obviously, doing such things as dyeing your hair or using the sink for anything that relates to stains or dyes is a very bad idea as this may cause permanent marks in the surface of the marble.

Clean the marble after removing the poultice with clean water. Use Marble Polish to polish and protect the marble.

- **Organic Stains:** Organic stains are caused by tea, coffee, soft drinks that have no citric acid, wet bark, flowers, leached colors from paper or textiles. These usually take the shape of the staining object. Wash with clear water. Apply poultice of hair-bleach strength hydrogen peroxide and a few drops of ammonia.

- **Oil Stains:** Oil stains are caused by butter, milk, cream, salad oils, peanut butter, meat scraps, mustard, hand cream, modeling clay, etc. Wipe off with cloth dampened with ammonia. Apply poultice of equal part amyl acetate (available in drug stores) and acetone.

Etching: Wash area with clean water. If stain remains, make a poultice according to the type of stain you have. If the area feels rough, or a cavity has formed, it will be necessary to polish the marble. If you can find it--as this material is mostly available only through professionals--Putty powder (tin oxide) can be used to polish dulled or etched surfaces. Rub on the Putty powder with a damp cloth, folding and refolding to clean damp areas. An electric polisher is preferred for buffing. If surfaces are severely scratched or etched, always call a professional.

Granite

- Blot up spills immediately, before they penetrate the surface.
- Use Granite Wipes, such as those supplied by Weiman, to clean the granite, and always rinse and dry after washing.
- Call your professional stone supplier, installer, or restoration specialist for problems that appear too difficult to treat. Ask a professional to remove or repair a scratch in granite.
 - Use coasters under all glasses, particularly those containing alcohol or citrus juices.
 - Many common foods and drinks contain acids that will etch or dull the stone surface.
- Do not place hot items directly on the stone surface. Use trivets or mats under hot dishes and place mats under china, ceramics, silver or other objects that could scratch the surface.
 - Do not use products that contain lemon, vinegar or other acids on the surface.
 - Don't use abrasive cleaners such as dry cleansers, scouring powders, or soft cleansers.
- Obviously, doing such things as dyeing your hair or using the sink for anything that relates to stains or dyes is a very bad idea as this may cause permanent marks in the surface of the granite.