

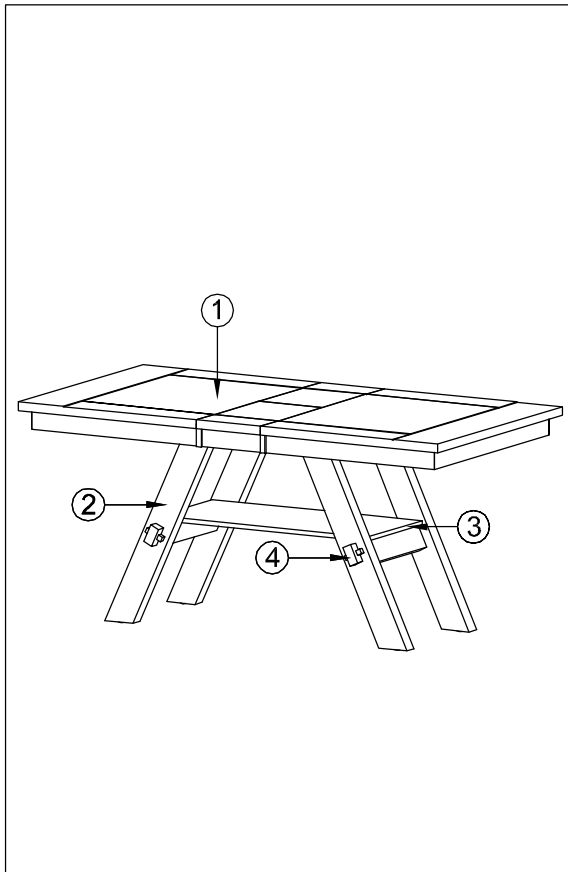
**ASSEMBLY INSTRUCTION**




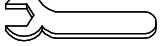




**ITEM # 116-GT4078/B**

**DESCRIPTION 40" x 78" COUNTER HEIGHT TABLE**

Thank you for purchasing this quality product. Be sure to check all packing material carefully for small parts which may have come loose inside the carton during shipment. Identify and count all parts and compare with the parts List Below:

**HARDWARE LIST**



NO.	SKETCH	HARDWARE	Q'TY
A		6X5/16"X12MM	8
B		2X5/16"X12MM	8
C		2X5/16"X22MM	8
D		12MM	1
E		1/4" X 63MM	8
F		1/4" X 10MM	8
G		1/4" X 12MM	8
H		4MM	1

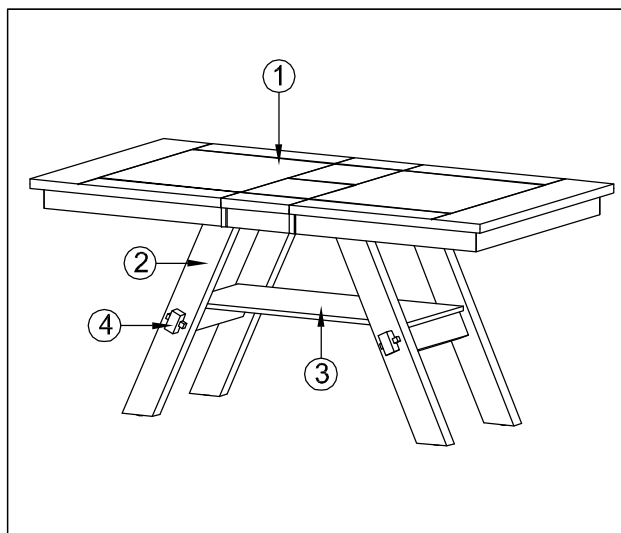
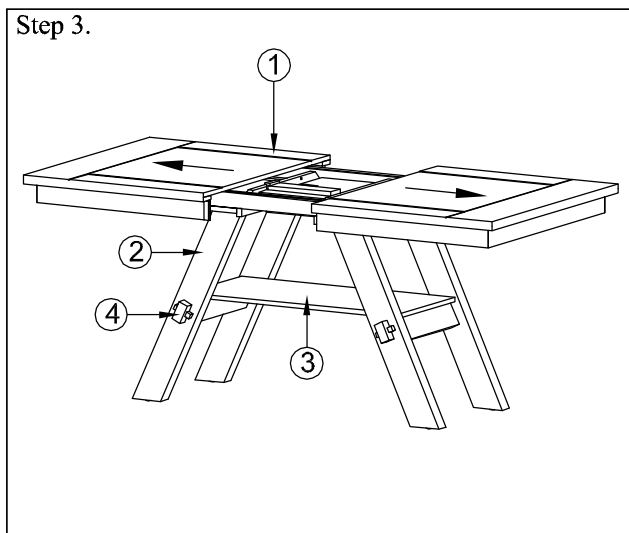
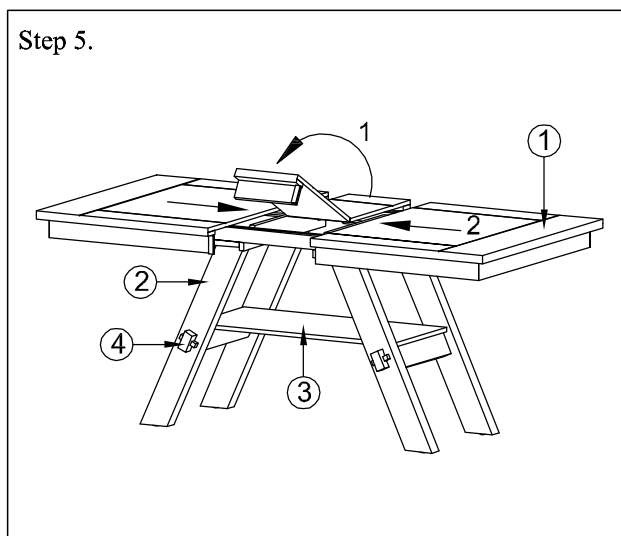
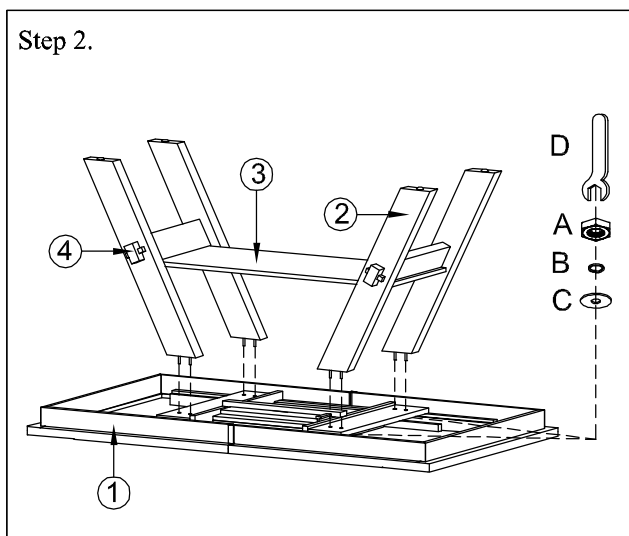
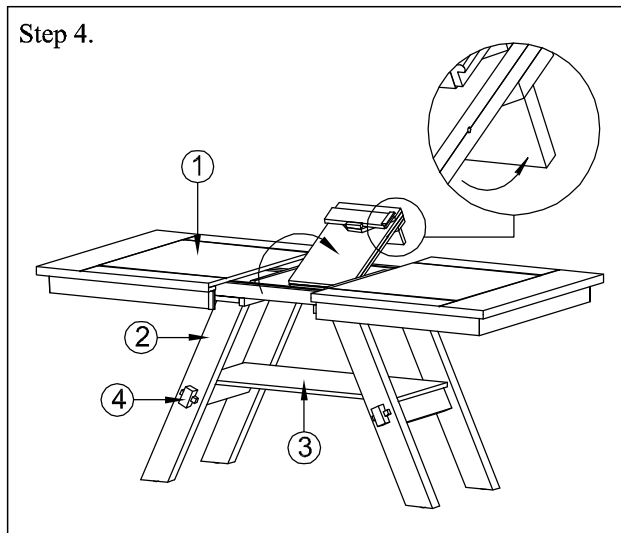
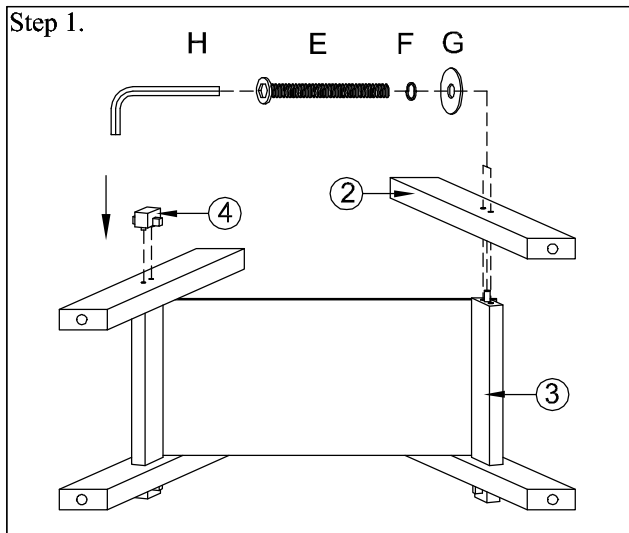
**PART LIST**

NO.	DESCRIPTION	Q'TY
①	Table Top	1
②	Table Leg	4
③	Shelf	1
④	Decoration	4

**ITEM # 116-GT4078/B**

**DESCRIPTION 40" x 78" COUNTER HEIGHT TABLE**

Thank you for purchasing this quality product. Be sure to check all packing material carefully for small parts which may have come loose inside the carton during shipment. Identify and count all parts and compare with the parts List Below:



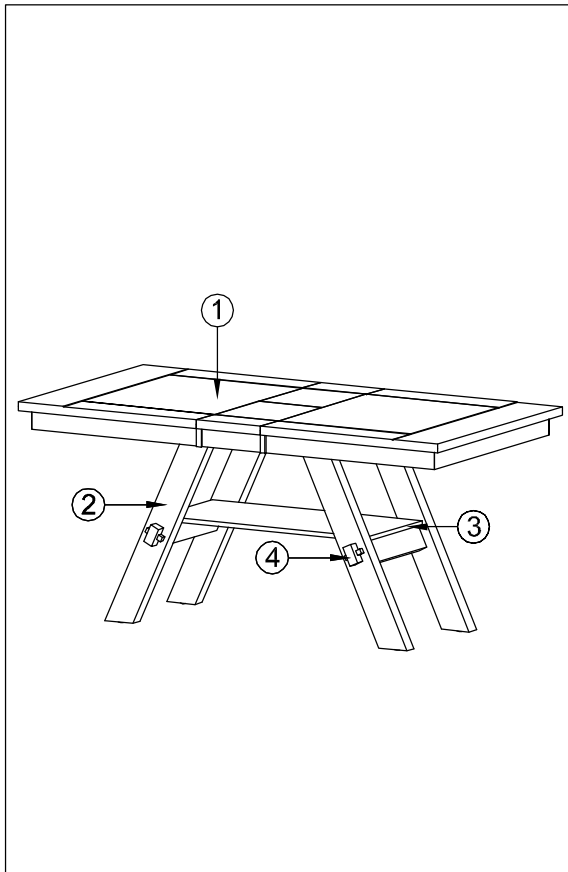
**ASSEMBLY INSTRUCTION**




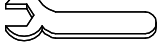




**ITEM # 116-GT4078/B**

**DESCRIPTION 40" x 78" COUNTER HEIGHT TABLE**

Thank you for purchasing this quality product. Be sure to check all packing material carefully for small parts which may have come loose inside the carton during shipment. Identify and count all parts and compare with the parts List Below:

**HARDWARE LIST**



NO.	SKETCH	HARDWARE	Q'TY
A		6X5/16"X12MM	8
B		2X5/16"X12MM	8
C		2X5/16"X22MM	8
D		12MM	1
E		1/4" X 63MM	8
F		1/4" X 10MM	8
G		1/4" X 12MM	8
H		4MM	1

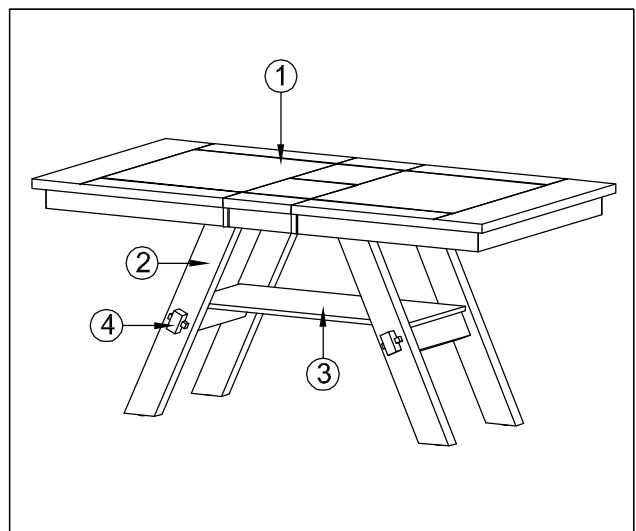
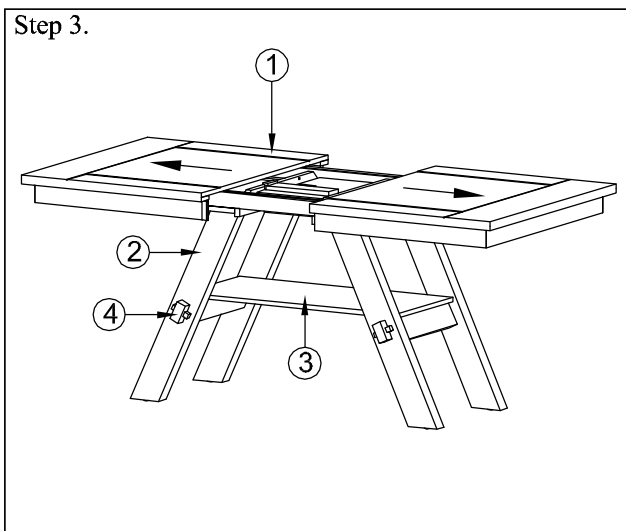
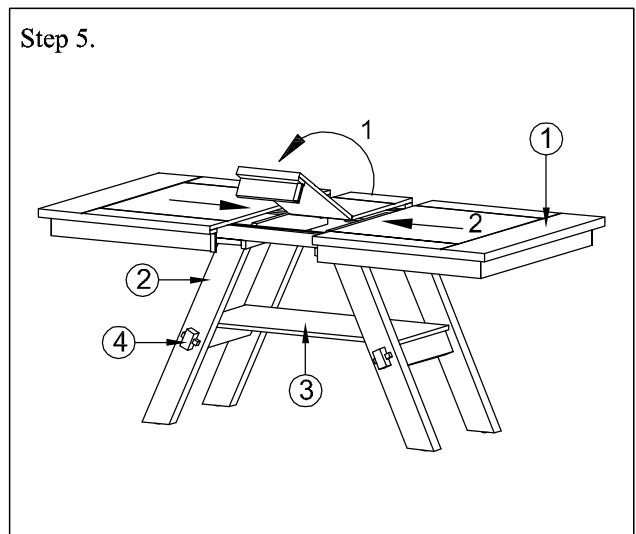
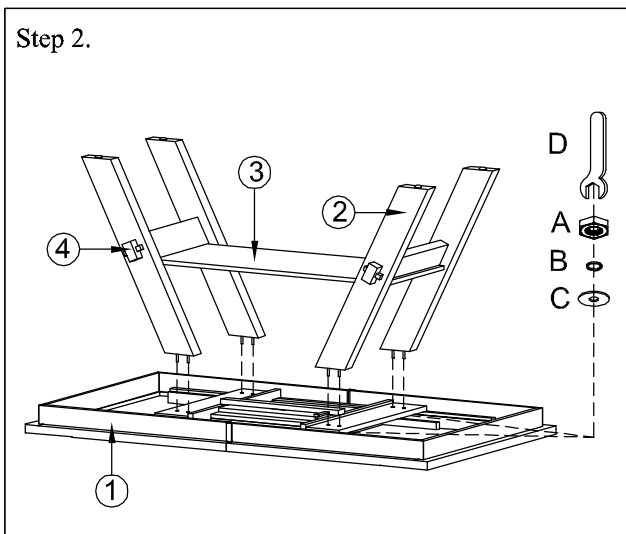
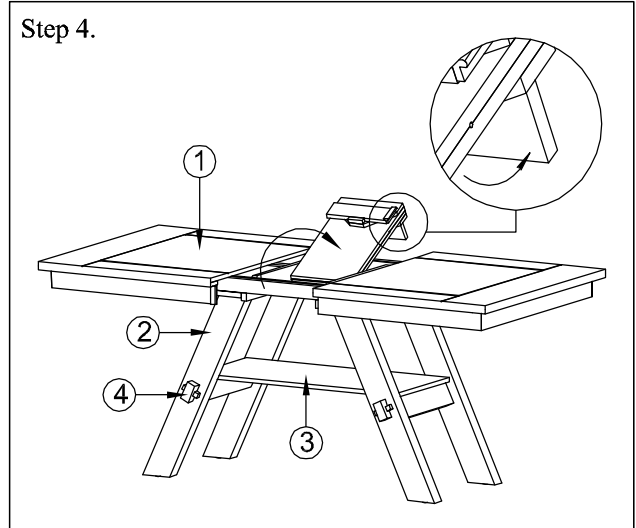
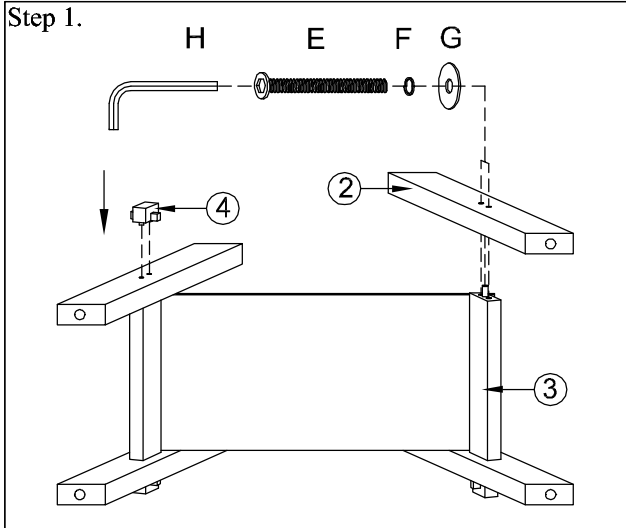
**PART LIST**

NO.	DESCRIPTION	Q'TY
①	Table Top	1
②	Table Leg	4
③	Shelf	1
④	Decoration	4

**ITEM # 116-GT4078/B**

**DESCRIPTION 40" x 78" COUNTER HEIGHT TABLE**

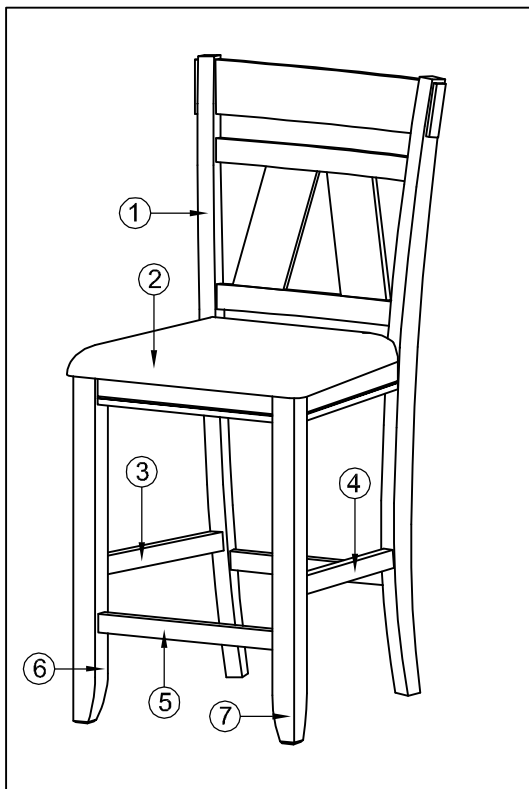
Thank you for purchasing this quality product. Be sure to check all packing material carefully for small parts which may have come loose inside the carton during shipment. Identify and count all parts and compare with the parts List Below:









**ITEM # 116-B250124**

**DESCRIPTION BARSTOOL**

Thank you for purchasing this quality product. Be sure to check all packing material carefully for small parts which may have some loose inside the carton during shipment. Identify and count all parts and compare with the parts List Below:



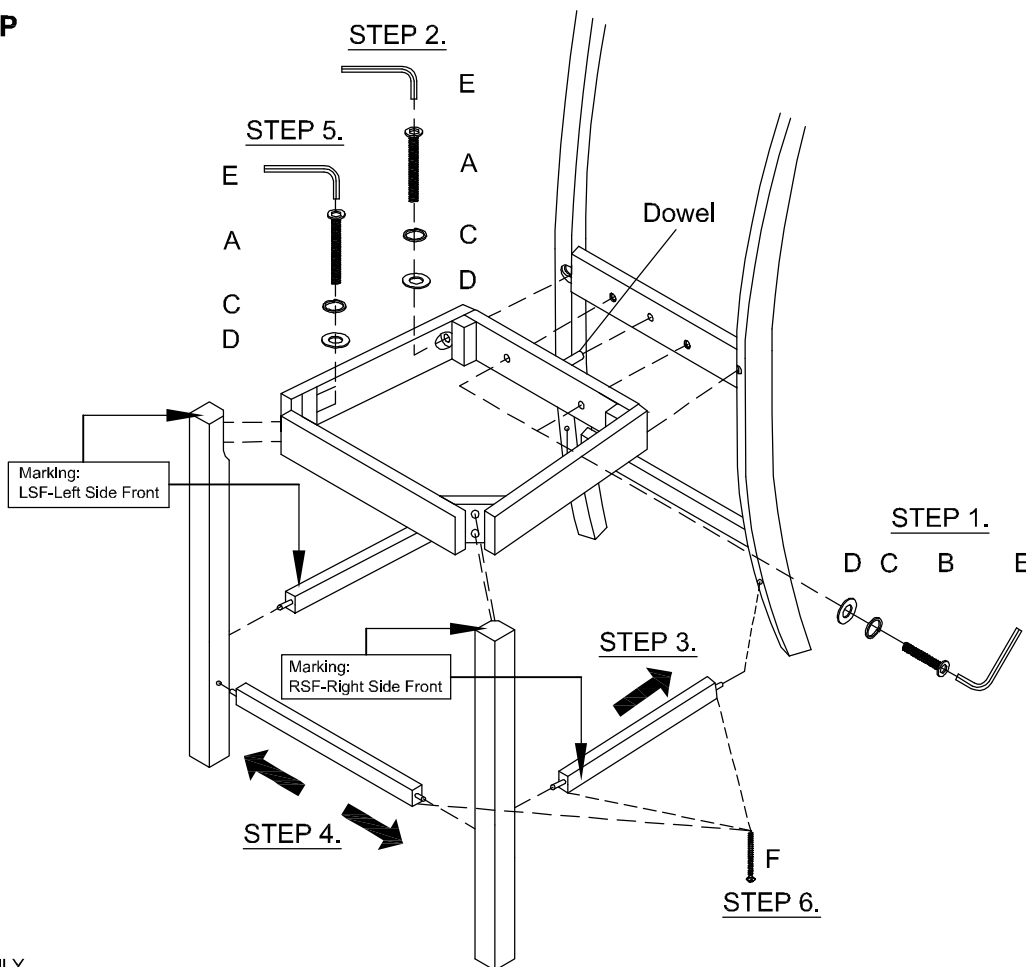
**HARDWARE LIST**

NO.	SKETCH	SIZE	Q'TY
A		1/4" X 63MM	6
B		1/4" X 40MM	2
C		1/4" X 12MM	8
D		1/4" X 16MM	8
E		4MM	1
F		8# X 1 1/4	6

**PART LIST**

NO.	DESCRIPTION	Q'TY
①	Chair Back	1
②	Seat Cushion With Frame	1
③	Left Side Stretcher	1
④	Right Side Stretcher	1
⑤	Front Stretcher	1
⑥	Left Front Leg	1
⑦	Right Front Leg	1

**ASSEMBLY STEP**



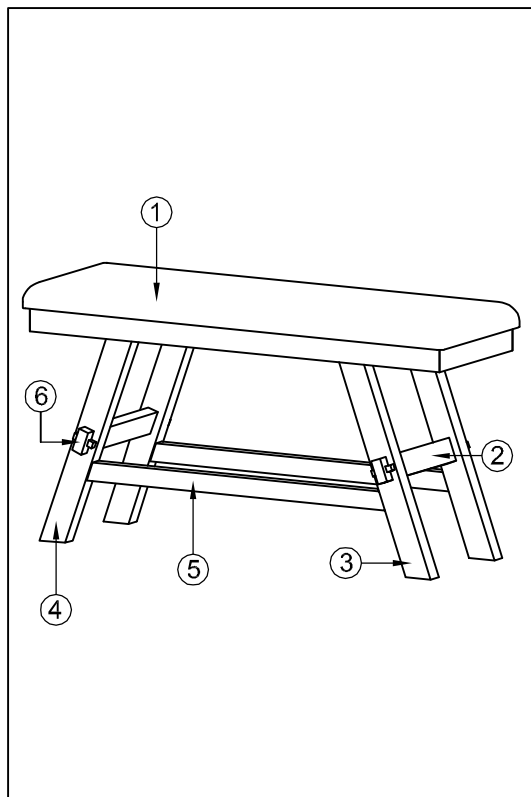
SKETCH FOR EXAMPLE ONLY

NOTE: TO ENSURE CHAIR DURABLE AND LONG LASTING, PLEASE CHECK ENTIRE CHAIR PART WHETHER IT'S IN SAFE AND ORDINARY CONDITIONS.







**ITEM # 116-B900124**

**DESCRIPTION BENCH**

Thank you for purchasing this quality product. Be sure to check all packing material carefully for small parts which may have some loose inside the carton during shipment. Identify and count all parts and compare with the parts List Below:



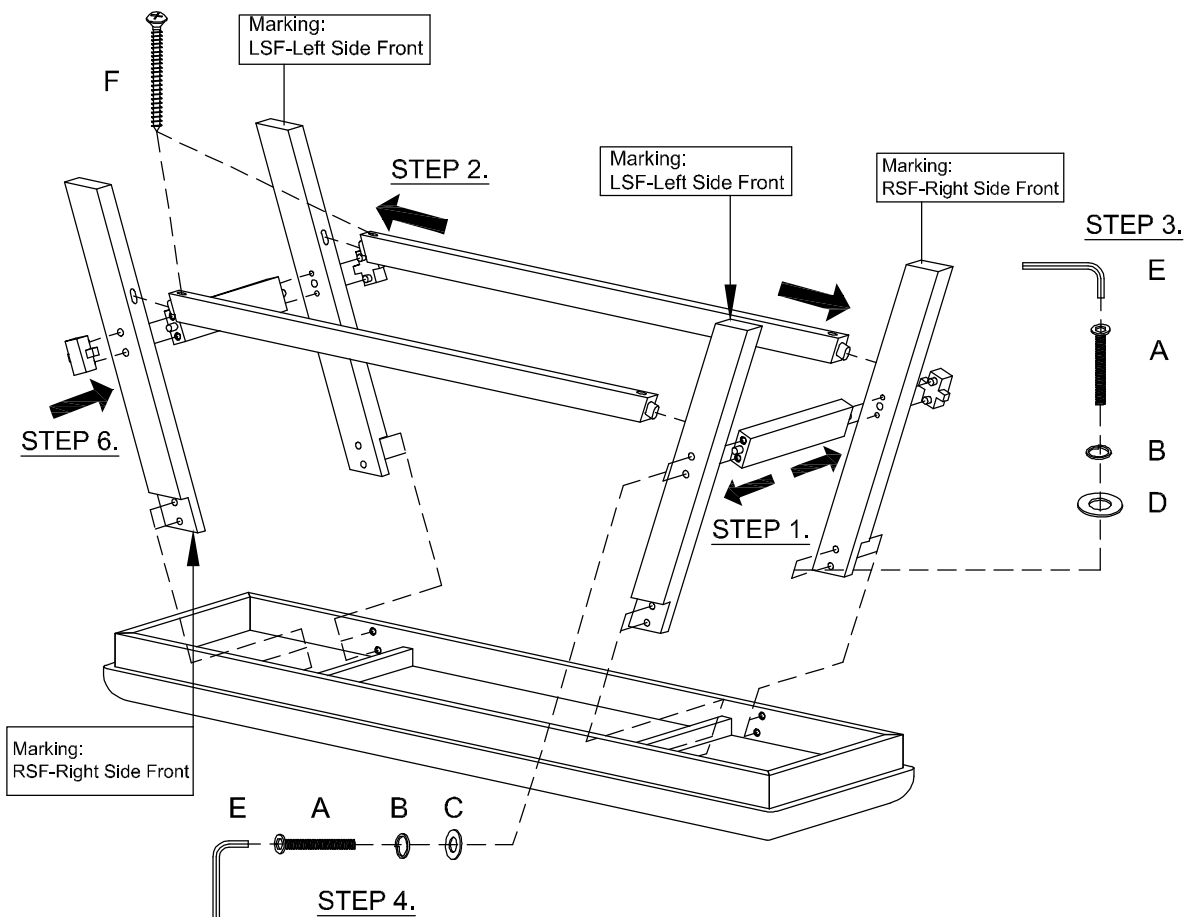
**HARDWARE LIST**

NO.	SKETCH	HARDWARE	Q'TY
A		1/4" X 35MM	16
B		1/4" X 12MM	16
C		1/4" X 12MM	8
D		1/4" X 16MM	8
E		4MM	1
F		8 # X 1 1/4"	4

**PART LIST**

NO.	DESCRIPTION	Q'TY
①	Seat Cushion With Frame	1
②	Side Stretcher	2
③	Left Leg	2
④	Right Leg	2
⑤	Cross Bar	2
⑥	Decoration	4

**ASSEMBLY STEP STEP 5.**



NOTE: TO ENSURE CHAIR DURABLE AND LONG LASTING, PLEASE CHECK ENTIRE CHAIR PART WHETHER IT'S IN SAFE AND ORDINARY CONDITIONS.