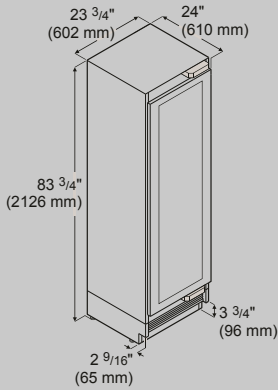
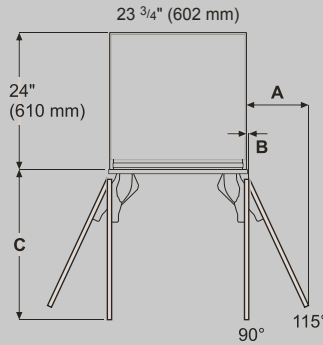


Product Dimensions



IMPORTANT!
Stated minimum height dimensions include when the leveled feet are fully inserted.

Height can be increased by a maximum of 1" (26 mm) by turning the adjustable feet. When the appliance is fitted in the recess, the appliance must be raised by turning the adjustable feet so that the appliance top has contact with the anti-tipping bracket. This results in a 4" (102 mm) Toe Kick height.



Inset

- A = 10 3/4" (273 mm)
- B = 1/2" (12.5 mm)
- C = 25 7/8" (658 mm)

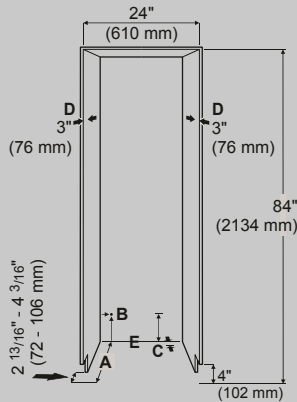
Frameless

- A = 11" (279 mm)
- B = 1/2" (12.5 mm)
- C = 26 3/8" (670 mm)

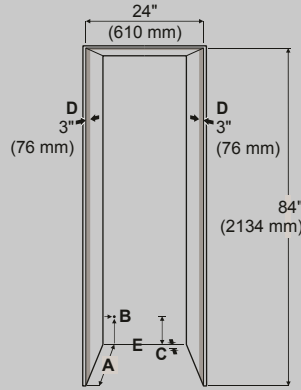
Dimension A = without mounted door handle

Cut out Dimensions

Continuous Toe Kick



Individual Toe Kick



A

Cabinet depth frameless installation style = 25" (635 mm)
Cabinet depth inset installation style = 25" (635 mm) + panel thickness

B

At this point the power cord exits from the appliance rear. 3/4" (19 mm) from the left and 5" (127 mm) from the floor. Free length of the power cord is 98" (2.5 m). We recommend power outlet to be placed outside of the appliance opening. A 15 or 20A, 110-120 VAC circuit grounded and protected by a circuit breaker or fuse is required.

C

The appliance has a recess in this area for cable and waterline laying. 1" (25 mm) in depth and 5 1/2" (140 mm) in height over the whole width of the appliance.

D

This surface is visible when the appliance door is open. Designed finish is required.

E

The anti-tipping bracket is positioned at the base of the appliance and must be secured to the wall or to the floor, please refer to the installation manual for more information.

Door Panel Dimensions

and dimensions of free length for power

24" recess

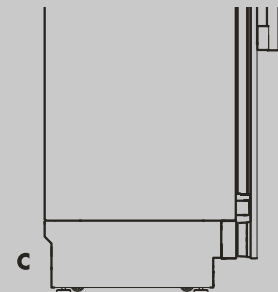
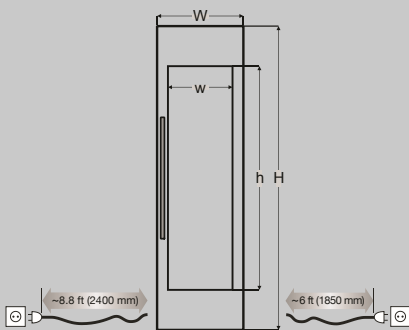
Inset installation style

H = 79 7/8" (2029 mm) / h = 58 7/8" (1495 mm)
W = 23 3/4" (603 mm) / w = 17" (432 mm)

Frameless installation style

H = 80" (2032 mm) Add overlapping dimension to the panel on the top.
W = 24" (610 mm) Add overlapping dimension to the panel on both sides.

Panel thickness: Min. 5/8" (16 mm)* / Max. 1" (25.4 mm)
Panel and handle weight: Max. 52 lbs. (24 kg)



* If a shaker style panel is used, which is thinner than the minum panel thickness, shorter screws than those supplied in the accessory pack must be used.