

Insert Range Hood, 36"

Series 9 | Integrated

Stainless Steel

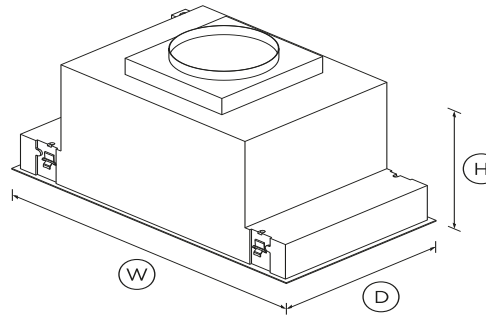


With edge-to-edge extraction, this efficient, stylish range hood is perfectly hidden away in your cabinetry.

- With five fan speeds, select the perfect extraction rate for your cooking
- With dimmable LED strip lighting
- Powerful 1100CFM maximum airflow
- Dishwasher safe filters that are easy to remove and clean

DIMENSIONS

Height	18 3/16"
Width	34 5/8"
Depth	18 7/8"



FEATURES & BENEFITS

Achieve the invisible

This high quality integrated range hood seamlessly blends behind cabinetry in a variety of kitchen layouts. Beautiful in its simplicity, this product has brushed finished surfaces with no visible screws.

Edge to edge extraction

Filters effectively reach edge to edge, which maximizes the amount of extraction area.

Full surface lighting

The even lighting provides full coverage of the cooktop, illuminating food in its true color, with no hot or dark spots and no glare or shadows. The dimmable lights have fade in and fade

out features.

Easy to use

This easy to use range hood operates with fingertip control of LED-illuminated soft touch buttons. Selected models also come with a remote control.

Energy efficiency

Powered by a brushless DC motor, the Insert Range Hood operates more efficiently, more reliably and with less noise than units with AC motors. Plus, fewer moving parts mean less erosion and longer lifetime.

Effortless cleaning

The stainless steel filters are easy to remove and are dishwasher safe. A self-contained grease tray within the filters makes them very easy to clean.

Simple installation

The simple installation process is compatible with most precut cabinetry. The adjustable mounting system can be installed with 5/8" to 9/16" cabinetry board.

SPECIFICATIONS

Accessories

Remote control	Included
----------------	----------

Fan ratings

Maximum air movement	1100CFM
Maximum speed sound rating	12sones
Speed 1 sound rating	1.5sones

Installation and cleaning

Air outlet size	10"
Dishwasher safe filters	3
Ducted	Vertical only

SKU 50110

Performance

Extraction type	Surface
Fan speeds	5
Filter type	Stainless Steel Baffle

Power requirements

Supply voltage	120V
----------------	-------------

Product dimensions

Depth	18 7/8"
Height	18 3/16"
Width	34 5/8"

Product information

Control type	Electronic
--------------	-------------------

Ventilation features

Auto-off/Run-on timer	•
Dimmable lights	•
Filter cleaning alert	•
Light type	LED
Number of light settings	5
Over heat sensing	•


Warranty

Parts and labor	2 years
-----------------	----------------

The product dimensions and specifications in this page apply to the specific product and model. Under our policy of continuous improvement, these dimensions and specifications may change at any time. You should therefore check with Fisher & Paykel's Customer Care Centre to ensure this page correctly describes the model currently available. ? Fisher & Paykel Appliances Ltd 2020

Other product downloads available at fisherpaykel.com

- [↓](#) User Guide
- [↓](#) Service & Warranty
- [↓](#) User Guide EN / Guide d'utilisation FR
- [↓](#) Installation Guide EN / Guide d'installation FR
- [↓](#) Data Sheet Insert Rangehood

A PEACE OF MIND SALE
 **24 Hours 7 Days a Week Customer Support**
T 1.888.936.7872 Wwww.fisherpaykel.com