



# Freestanding Range

FPEF3077QF

30" Electric



### Product Dimensions

Height (Max.)	47-3/4"
Width	29-7/8"
Depth (Including Handle)	29-1/4"

### More Easy-To-Use Features

#### SpacePro™ Bridge Element

2-in-1 cooktop element offers endless meal options. Cook two separate dishes at once, or combine two elements into one for large pots or griddle use.

#### Keep Warm Zone

Consistently keep dishes warm until the rest are ready for a delicious meal, every day

#### Convection Conversion

Automatically converts the convection oven to the ideal cooking time for evenly cooked dishes.

#### Dual Timers

Set a timer for both your cooktop and oven when cooking dishes simultaneously.

#### 2-Hour Self-Clean

A powerful, quick clean for your oven in just 2 hours with PowerPlus® Self-Clean Cycle.

#### Storage Drawer

Optimize your kitchen space with additional storage space for pots and pans.

Sabbath Mode (Star-K® Certified)

#### Available in:



Stainless  
(F)

### Signature Features



#### PowerPlus® Convection

Powerful performance delivers consistent results. Evenly cooked dishes, every time, with PowerPlus® Convection Bake and Roast.



#### PowerPlus® Temperature Probe

Ensures great results the first time. Set and monitor dish temperature with the PowerPlus® Temperature Probe.



#### PowerPlus® Preheat

With PowerPlus® Preheat, your oven is ready in a few minutes for a powerful start to every delicious meal.

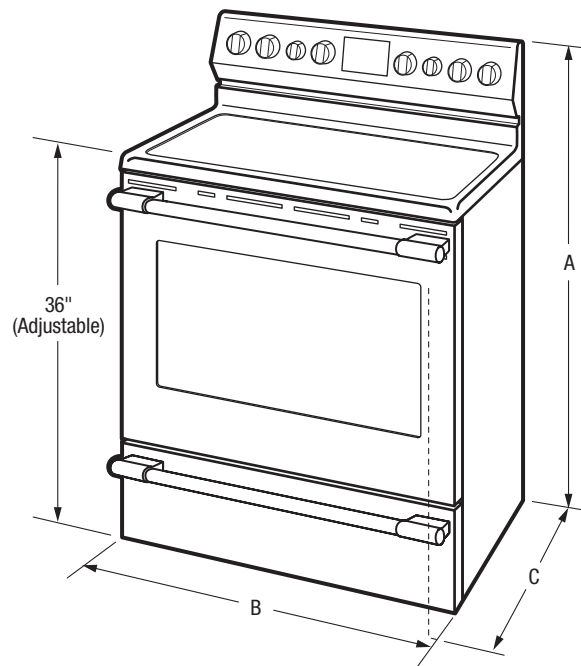


#### Smudge-Proof™

Resists fingerprints and cleans easily.

Elements	Size	Watts
Right Front	9" / 12" Expandable	1,800 / 3,000
Right Rear	6"	1,200
Left Front	7"	1,800
Left Rear	7"	1,800
Left Bridge	SpacePro™ Bridge	800
Center	Keep Warm Zone	100

Features	
Oven Control/Timing System	PrecisionPro Controls™
Surface Type	Black Porcelain Glass
Window	Extra-Large with Black-Tint Finish
Exterior Door Finish	Smudge-Proof™ Stainless Steel
Handle Design	Stainless Steel
Exterior Finish (Side Panels)	Black
Convection System	PowerPlus® Single-Fan Convection
Oven Cleaning System	Self Clean
Drawer Functionality	Storage
Oven Controls	
Bake/Broil	Yes/Variable (400 - 500 °F)
Effortless™ Convection Conversion	Yes
Convection Bake/Broil/Roast	Yes/Yes/Yes
PowerPlus® Convection	Yes
PowerPlus® Preheat	Yes
PowerPlus® Temperature Probe	Yes
Keep Warm	Yes
Self Clean	2, 3, 4 Hours
Rapid Clean Option	Yes
Delay Clean	2, 3, 4 Hours
Kitchen Timer/ Timed Cook Option	Yes/Yes
Auto Oven Shut-Off	Yes
Oven Lock-Out	Yes
Cooktop Features	
Right Front Element (Watts)	SpaceWise® Expandable 9"/12" - 1,800/3,000
Right Rear Element (Watts)	6" - 1,200
Left Front Element (Watts)	7" - 1,800
Left Rear Element (Watts)	7" - 1,800
Bridge Element (Watts)	SpacePro™ Bridge - 800
Center Element (Watts)	Keep Warm Zone - 100
Hot Surface/Element On Indicator Light	Yes/Yes
Oven Features	
Capacity (Cu.Ft.)	6.1
Oven Light	1
Hidden Bake Element	Yes
Rack Configuration	2 Heavy-Duty, 1 Offset
Baking System	Even Baking Technology
Broiling System	Vari-Broil™ Hi/Low
Bake Element/Broil Element (Watts)	3,500/3,900
Optional Accessories	
Griddle	PN # 316432200
Certifications	
Sabbath Mode (Star-K® Cert.)	Yes
Specifications	
Oven Interior (H x W x D)	22-1/4" x 24-3/8" x 19-1/2"
Power Supply Connection Location	Middle Bottom Rear
Voltage Rating	240V/208V/60Hz
Connected Load (kW Rating) @ 240/208 Volts	14.5/11.5
Minimum Circuit Required (Amps)	40
Shipping Weight (Approx.)	190



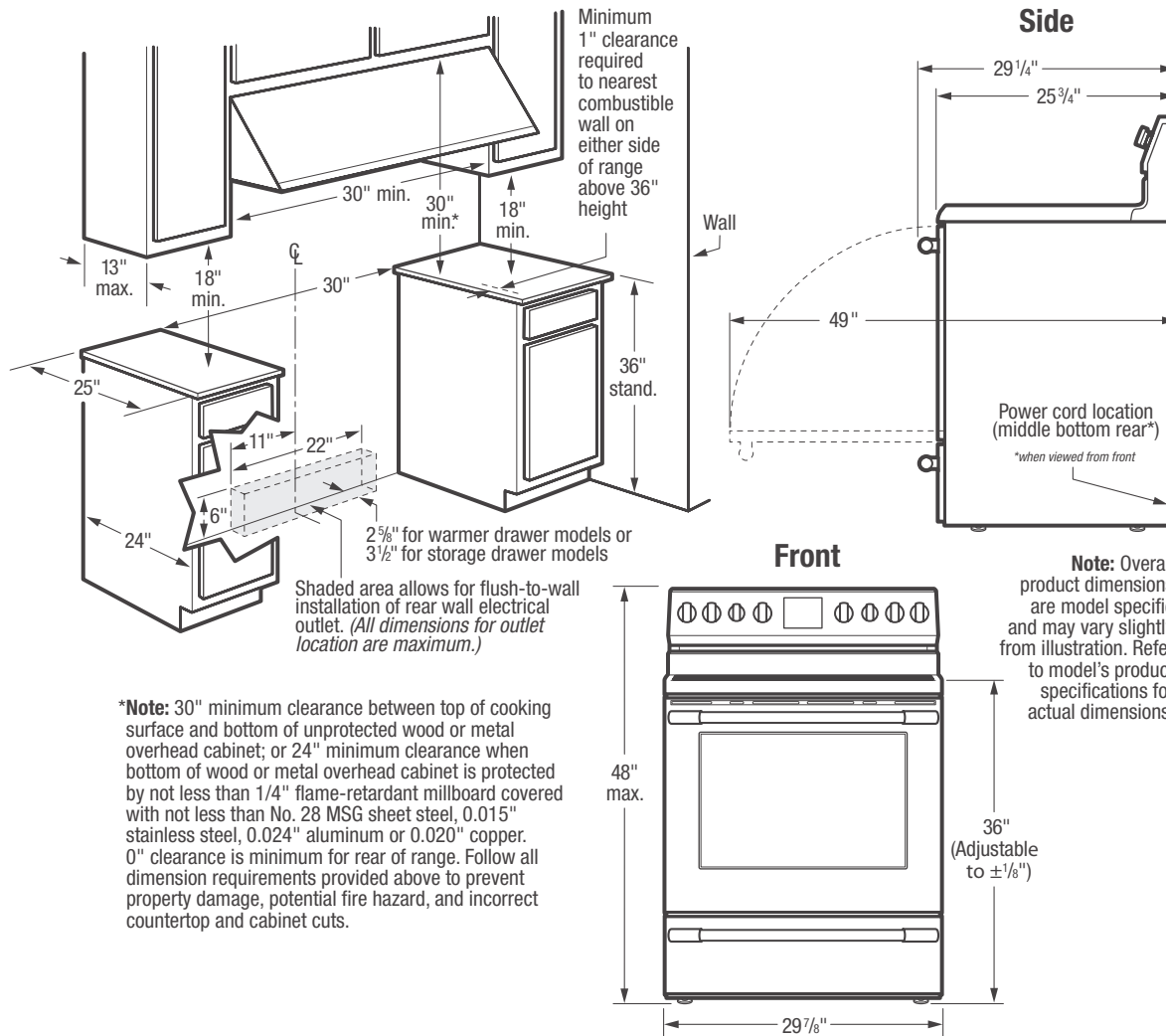
NOTE: For planning purposes only. Always consult local and national electric codes. Refer to Product Installation Guide for detailed installation instructions on the web at [frigidaire.com](http://frigidaire.com).



Product Dimensions	
A - Height (Max.)	47-3/4"
B - Width	29-7/8"
C - Depth (Including Handle)	29-1/4"
Depth with Door Open 90°	49"

Cabinet Cutout Dimensions	
Height (Standard)	36"
Width (Min.)	30"
Depth (Min.)	24"

Accessories information available on the web at [frigidaire.com](http://frigidaire.com)



**Freestanding Range Specifications**

- Product Shipping Weight (approx.) - 190 Lbs.
- Single phase 3- or 4-wire cable, 120/240 or 120/208 Volt, 60 Hertz, fused on both sides of line with ground.
- Connected Load (kW Rating) @ 240/208 Volts = 14.5/11.5kW
- Recommended Circuit Breaker - 40 Amps
- Always consult local and/or national electric codes.
- Make sure wall coverings around range can withstand heat generated by range.
- Linoleum or any other synthetic floor covering located beneath range, must be capable of withstanding minimum heat of 90°F above room temperature without shrinking, warping or discoloring. Insulating pad or 1/4"-thick plywood required between range and a carpeted floor.
- Floor beneath range MUST be solid and level.
- Overhead cabinetry should not exceed a 13" maximum depth.
- Absolute minimum horizontal distance between overhead cabinets installed to either side of appliance must be no less than maximum width of appliance.

- Range can be installed flush to wall with 0" minimum rear clearance.
- Minimum 1" clearance required from edge of rangetop to nearest combustible wall on either side of range above 36" height.
- Allow 30" minimum clearance between top of cooking surface and bottom of unprotected wood or metal overhead cabinet; or 24" minimum clearance when bottom of wood or metal overhead cabinet is protected by not less than 1/4" flame retardant millboard covered with not less than No. 28 MSG sheet steel, 0.015" stainless steel, 0.024" aluminum or 0.020" copper.
- To reduce risk of fire when using overhead cabinetry, install range hood that projects horizontally a recommended minimum of 5" beyond bottom of cabinets.
- Follow all dimension requirements provided to prevent property damage, potential fire hazard, and incorrect countertop and cabinet cuts.

**Note:** For planning purposes only. Refer to Product Installation Guide on the web at [frigidaire.com](http://frigidaire.com) for detailed instructions.

**Optional Accessories**

- Griddle - (PN # 316432200).

