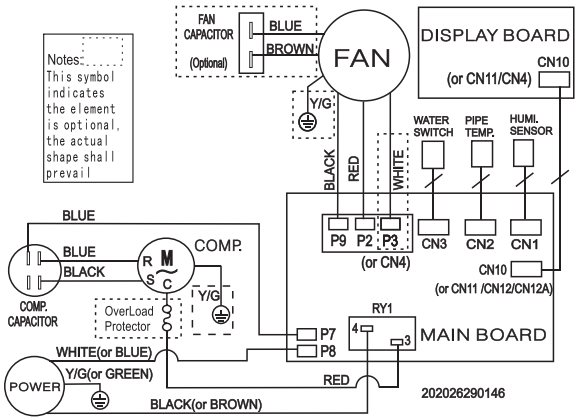


Notes: Display and Fan's conntors must be match the actual indicates.

Notes:  
This symbol indicates the element is optional, the actual shape shall prevail



202026290146