



Stainless Steel
KMHC319ESS

Capacity

Total	1.9 cu. ft.
-------	-------------

General Features & Properties

1.9 Cu. Ft. Capacity

Halogen Task Lights

Convection Cooking

Steam Cleaning Function

Stoppable Turntable

Professionally-Inspired Design Including Handle, Badge, Graphics, Chrome Chamfer

Sound-Based Popcorn Function

Stainless Steel Cavity

Electrical Details

Amps	15
Volts	120

Technical Details

Microwave Type	Over-the-Range
CFMs	400
Lighting Type	Halogen
Number of Speeds	6
Venting Type	Updraft

Dimensions

Product Dimensions (H x W x D)	17-1/8" x 30" x 17"
Depth with Door Open 90°	44-1/2"
Cutout Dimensions (W x D)	30" x 12" minimum

Reference Material

[Dimension Guide](#)

[Install Guide](#)

[Use & Care Guide](#)

[Warranty](#)

Key Features & Benefits

1000 Watts Power

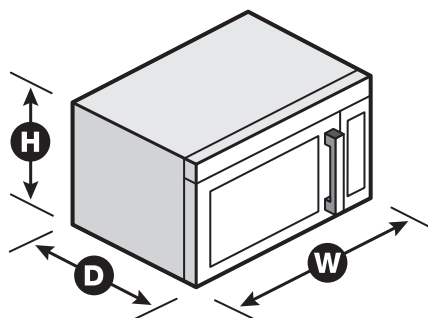
Cook your favorite foods quickly and thoroughly with high power.

Keep Warm Function

Operates at 10% cooking power to keep cooked foods warm until they're ready to be served.

Sensor Steam/Simmer Cook Cycle with Steamer Container

Features a microwave sensor that triggers a cycle that precisely steams food based on type and selected doneness. It includes a steamer container to help achieve the best cooking results.



NOTE: Dimensions are for planning purposes only. For complete details, see Installation Instructions packed with product. Specifications subject to change without notice.

®/™ © 2020. All rights reserved. Printed in the U.S.A. D200104XXE. KMHC319ESpecSheetV01.