



1.2 cu. ft. Under-Counter Microwave Oven Drawer

KMBD104G



Stainless Steel
KMBD104GSS

Capacity

Total 1.2 cu. ft.

General Features & Properties

950 Watt Cooking Power

1.2 Cu. Ft. Capacity

Timed Defrost

Keep Warm Function

Electrical Details

Amps 15 or 20

Volts 120

Technical Details

Microwave Type Built-In

Lighting Type Incandescent

Dimensions

Product Dimensions (H x W x D) 16" x 23-7/8" x 23-1/4"

Cutout Dimensions (W x D) 22-1/8" x 24"

Reference Material

[Install Guide](#)

[Use & Care Guide](#)

[Warranty](#)

Key Features & Benefits

Drawer Design

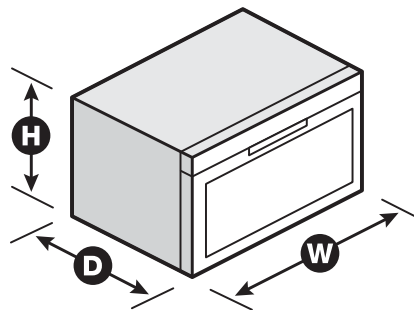
Is ideal for open kitchen designs and islands. Under-counter and in-wall installation options free up counter space for ingredients and food preparation. And, its top access lets you check or stir foods without removing the dish from the microwave.

Sensor Functions

Consistently delivers exceptional results. Choose from a menu with 10 foods you microwave most, plus popcorn settings and a reheating mode ideal for hard-to-reheat foods like tilapia. A sensor detects humidity coming from the food to optimize cook time.

Auto Touch Open/Close

Allows you to easily open and close the microwave drawer at the touch of a button, giving you effortless access even with your hands full.



NOTE: Dimensions are for planning purposes only. For complete details, see Installation Instructions packed with product. Specifications subject to change without notice.

®/™ © 2020. All rights reserved. Printed in the U.S.A. D200104XXE. KMBD104GSpecSheetV01.