



5.3 cu. ft. Top Load Washer

WTW8500D



Chrome Shadow
WTW8500DC

Also available in:

White

WTW8500DW

Capacity	
Total	5.3 cu. ft.
General Features & Properties	
Precision Dispense	
Low-Profile Impeller	
Estimated Time Remaining LED Display	
Smooth Wave Stainless Steel Wash Basket	
Quiet Wash Ultra Noise Reduction System	
Quick Wash Cycle	
Automatic Water Levels	
Presoak Option	
Oxi Dispense Option	
Electrical Details	
Amps	15
Volts	120

Technical Details	
Drum Material	Stainless Steel
Wash Action	Impeller
Control Location	Rear Panel
Control Type	Electronic
Number of Cycles	26
Washer Cycle Selections	Clean Washer How to Wash: Normal, Quick, Cold, Deep Water, Color Last Rinse & Spin What to Wash: Mixed, Casuals, Whites, Delicates, Bulky/Sheets
Washer Option Selections	Add a Garment Delay Wash End of Cycle Signal Extra Rinse Oxi Presoak Steam Clean

Dimensions	
Product Dimensions (H x W x D)	42-1/8" x 27-5/8" x 27-7/8"
Height with Lid Open 90°	57"

Reference Material

- [Dimension Guide](#)
- [Install Guide](#)
- [Use & Care Guide](#)
- [Energy Guide](#)
- [Warranty](#)

Key Features & Benefits

Adaptive Wash Technology with Active Bloom™ Wash Action

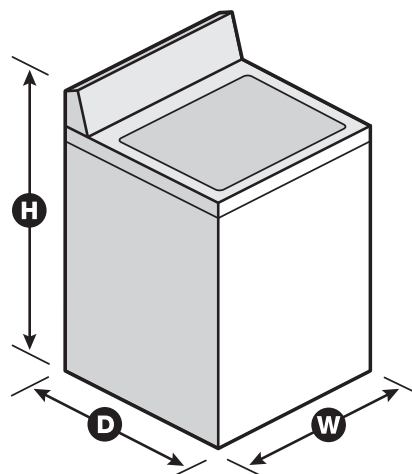
It works to thoroughly saturate clothes with water and detergent by using advanced wash actions. This helps clothes wash against one another for gentler fabric care.

ColorLast™ Option

Give your most vibrant colors the care they need with our ColorLast™ option. It uses a precise combination of wash action, gentle temperatures and time to keep colors vibrant longer.*

Active Spray Technology

Virtually eliminates the need to pretreat clothing. It works to saturate clothes with a mixture of detergent and water by spraying the load completely and evenly.



*Compared to our pre-2009 agitator washer. NOTE: Dimensions are for planning purposes only. For complete details, see Installation Instructions packed with product. Specifications subject to change without notice.