



7.4 cu. ft. Front Load Electric Dryer

WED6620H



Chrome Shadow
WED6620HC

Also available in:

White

WED6620HW

Capacity

Total 7.4 cu. ft.

General Features & Properties

Intuitive Controls

Steam Refresh Cycle

Sanitize Cycle

Advanced Moisture Sensing

Static Reduce Option

EcoBoost™ Option

Quad Baffles

Closet-Depth Fit

Laundry Pedestals

Electrical Details

Hz 60

Amps 30

Volts 240

Certifications

ADA Compliant Yes

ENERGY STAR® Certified Yes

Technical Details

Drum Material Powder Coat

Fuel Type Electric

Door Style Side Swing

Reversible Door Yes

Number of Dryer Cycles 37

Selection of Drying Cycles
Bulky Items
Colors
Delicates
Heavy Duty
Normal
Quick Dry
Regular
Sanitize
Steam
Refresh
Timed Dry
Towels
Whites
Wrinkle Control

Dryer Option Selections
Control Lock
Cycle Signal
Damp Dry
Signal
Eco Boost™
Reduce Static
Wrinkle Shield™
Wrinkle Shield™ with Steam

Key Features & Benefits

Wrinkle Shield™ Plus Option with Steam

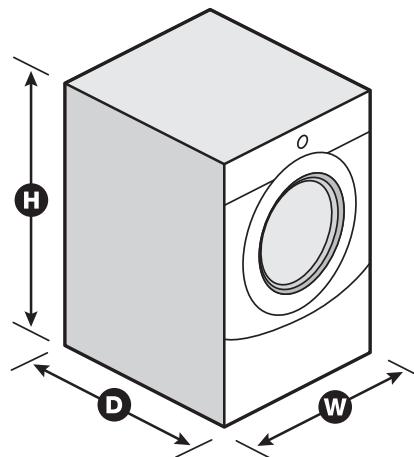
Help keep wrinkles from setting into clean, dry fabrics. The Wrinkle Shield™ Plus option with Steam uses tumbling and steam for up to 150 minutes after the cycle ends or until you open the dryer door for improved wrinkle-fighting performance.

7.4 cu. ft. Capacity

Get plenty of room to dry the large loads you washed in the matching front load washer. This 7.4 cu. ft. dryer easily handles bulky items like comforters and sleeping bags.

ENERGY STAR® Certified

ENERGY STAR® certified models exceed government standards to help conserve natural resources and save money on your utility bills.



Dimensions

Product Dimensions (H x W x D) 38-1/8" x 27" x 31"

Depth with Door Open 90° 54-5/16"

Maximum Vent Length 64'

Venting Direction Left, Right, Bottom, Rear

Ventless No

Reference Material

[Install Guide](#)

[Use & Care Guide](#)

[Warranty](#)

NOTE: Dimensions are for planning purposes only. For complete details, see Installation Instructions packed with product. Specifications subject to change without notice.

®/™ © 2020. All rights reserved. Printed in the U.S.A. D200104XXD. WED6620HSpecSheetV01.