



4.8 cu. ft. Undercounter Beverage Center

KUBL204E



Stainless Steel
KUBL204ESB

Capacity

Total Capacity 4.8 cu. ft

General Features & Properties

Auto-Light Interior LED Lighting

Touch Controls

SatinGlide® Wood-Front Racks

Glass Shelves

Built-In or Freestanding Installation

Door Alarm

Over-Temp Alarm

Electrical Details

Amps 15 or 20

Volts 115

Technical Details

Refrigerator Type Undercounter

Number of Shelves 2 Fixed

Number of Racks 2

Lighting Type LED

Control Location Interior Up Front

Installation Option Freestanding or Built-In

Dimensions

Product Dimensions (H x W x D) 34-1/4" x 23-3/4" x 26-3/4"

Depth with Door Open 90° 47-3/4"

Cutout Dimensions (H x W) 34-1/4" x 24"

Reference Material

[Dimension Guide](#)

[Use & Care Guide](#)

[Warranty](#)

Also available in:

Panel-Ready with Glass Door **KUBL204EPA**

Key Features & Benefits

Two Temperature-Controlled Zones

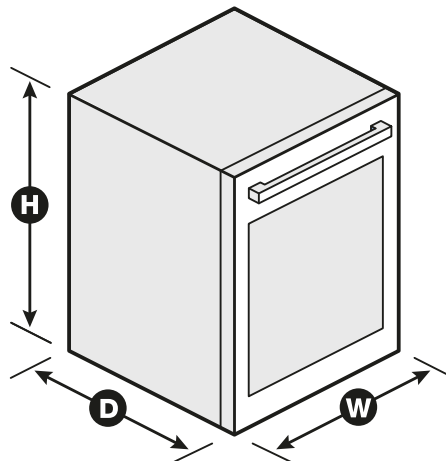
Allows for two independent temperature zones to chill beverages, hors d'oeuvres and wine bottles in their optimal climate.

4.8 cu. ft. Capacity with 14 Wine Bottle Capacity

The perfect place to store, chill and display up to 14 bottles of wine or any other item you want to keep cold.

UV-Protected Thermal Glass Door

Filters UV rays to help protect wine and other beverages from premature aging.



NOTE: Dimensions are for planning purposes only. For complete details, see Installation Instructions packed with product. Specifications subject to change without notice.

®/™ © 2020. All rights reserved. Printed in the U.S.A. D200052XXC. KUBL204ESPECSHEETV01.