



Stainless Steel
KRMF706ESS

Also available in:

- Black Stainless Steel with PrintShield™ Finish **KRMF706EBS**

Capacity

Total Capacity	26 cu. ft.
Refrigerator Capacity	18 cu. ft.
Freezer Capacity	8 cu. ft.

General Features & Properties

- 2 Soft-Close Drawers
- Professionally-Inspired Design
- 3-Tier Freezer Drawer with Storage Divider
- LED Lighting
- SatinGlide® Crispers
- Adjustable Spill Resistant Shelves
- Exterior Ice and Water Dispenser
- Measured Water Fill
- In-Door-Ice® System

Electrical Details

Amps	20
Volts	115

Technical Details

Refrigerator Type	French Door
Number of Doors	5
Number of Interior Refrigerator Shelves	5
Number of Refrigerator Door Bins	4 Adjustable, 1 Fixed
Number of Interior Freezer Shelves	3 Plastic
Lighting Type	LED
Ice Maker	Factory Installed
Ice Maker Location	Refrigerator Door
Dispenser Type	Exterior Ice and Water

Dimensions

Product Dimensions (H x W x D)	70-1/8" x 36" x 36-1/4"
Depth with Door Open 90°	49"
Cutout Dimensions	Allow extra 1/2" on sides and top Allow extra 1" on rear

Reference Material

- [Dimension Guide](#)
- [Use & Care Guide](#)
- [Energy Guide](#)
- [Warranty](#)

Key Features & Benefits

5-Door Configuration

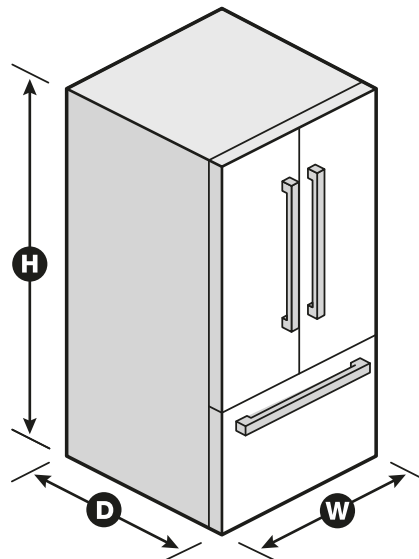
Put all your food in ready sight and easy reach. Soft close pantry doors offer added convenience.

Preserva® Food Care System

Two independent cooling systems help keep all your ingredients fresh longer.

Herb Storage

Keep herbs like rosemary, oregano and thyme fresh in a dedicated storage compartment.



NOTE: Dimensions are for planning purposes only. For complete details, see Installation Instructions packed with product. Specifications subject to change without notice.